



Version 082613



Sonic Kiddie Ride

BG-SSC-004 Kiddie Ride Owners Manual

Assembly operation and care instructions.

Serial # _____

Distributed By _____

Sales Person _____

Technical Service # _____



Safety Instructions for use and play.

- Once you place the ride in it's desired location please ensure that the 4 rubber stopper legs are all the way the floor and the car is not supported by the wheels.



Risk of Electric Shock

- Hazardous voltage which can cause electrical shock exists inside the equipment. Only qualified personnel should work inside the equipment.



Playing Warnings

- Spectators should not climp on the ride. This may cause injury.
- This game features flashing lights which may not be suitable for photosensitive epilepsy.

Before using this product

To ensure the safe operation of this product, be sure to read the following before usage.

The following instructions are intended for the users, operators and the personnel in charge of the operation of the product. After carefully reading and sufficiently understanding the warning displays and cautions, handle the product appropriately. Be sure to keep this manual for future reference.

Perform work in accordance with the instructions herein stated. Instructions for work are explained by paying attention to the aspect of accident prevention. Failing to perform work as per the instructions can cause accidents. In the case where only those who have technical expertise should perform the work to avoid hazardous situation, the instructions herein state that the site maintenance personnel should perform such work.

- Be sure to turn off the power before working on the machine. To prevent an electric shock, be sure to turn off the power before carrying out any work that requires direct contact with the interior of the product. If the work is to be performed in the power-on status, the Instruction Manual herein always states to that effect.
- Be sure to ground the Earth Terminal. (This is not required in the case where a power cord with earth is used.)
- This product is equipped with the Earth Terminal. When installing the product, connect the Earth Terminal to the "accurately grounded indoor earth terminal" by using an earth wire. Unless the product is grounded appropriately, the user can be subject to an electric shock. After performing repair, etc. for the control equipment, ensure that the Earth Wire is firmly connected to the control equipment.
- Ensure that the Power Supply used is equipped with an Earth Leakage Breaker. This product does not incorporate the Earth Leakage Breaker. Using a power supply which is not equipped with the Earth Leakage Breaker can cause a fire when earth leakage occurs.
- Be sure to use fuses which meet the specified rating. (Only for the machines which use fuses.) Using fuses exceeding the specified rating can cause a fire and an electric shock. (Only for the machines which use fuses.) Using fuses exceeding the specified rating can cause a fire and an electric shock.
- Specification changes (removal of equipment, conversion and addition) not designated by SEGA are not allowed. The parts of the product include warning labels for safety, covers for personal protection, etc. It is very hazardous to operate the product by removing parts and/or modifying the circuits. Should doors, lids and protective parts be damaged or lost, refrain from operating the product, and contact where the product was purchased from or the office herein stated. SEGA shall not be held responsible for any accidents, compensation for damage to a third party, resulting from the specifications not designated by SEGA.

- Ensure that the product meets the requirements of appropriate electrical specifications. Before installing the product, check for electrical specifications. SEGA products have a nameplate on which electrical specifications are described. Ensure that the product is compatible with the power supply voltage and frequency requirements of the location. Using any electrical specifications different from the designated specifications can cause a fire and an electric shock.
- Install and operate the product in places where appropriate lighting is available, allowing warning labels to be clearly read. To ensure safety for the customers, labels and printed instructions describing potentially hazardous situations are applied to places where accidents can be caused. Ensure that where the product is operated has sufficient lighting allowing the warnings to be read. If any label is peeled off, apply it again immediately. Please place an order from office herein stated.

INSPECTIONS IMMEDIATELY AFTER TRANSPORTING THE PRODUCT TO THE LOCATION

Normally, at the time of shipment, SEGA products are in a status allowing for usage immediately after transporting to the location. Nevertheless, an irregular situation may occur during transportation. Before turning on the power, check the following points to ensure that the product has been transported in a satisfactory status.

- Are there any dented portions or defects (cuts, etc.) on the external surfaces of the cabinet?
- Are casters and adjusters damaged?
- Do the power supply voltage and frequency requirements meet with those of the location?
- Are all wiring connectors correctly and securely connected? Unless connected in the correct way, connector connections can not be made accurately. Do not insert connectors forcibly.
- Do power cables have cuts and dents?
- Are all accessories available?
- Can all doors/lids be opened with the accessory keys? Can doors/-lids be firmly closed?

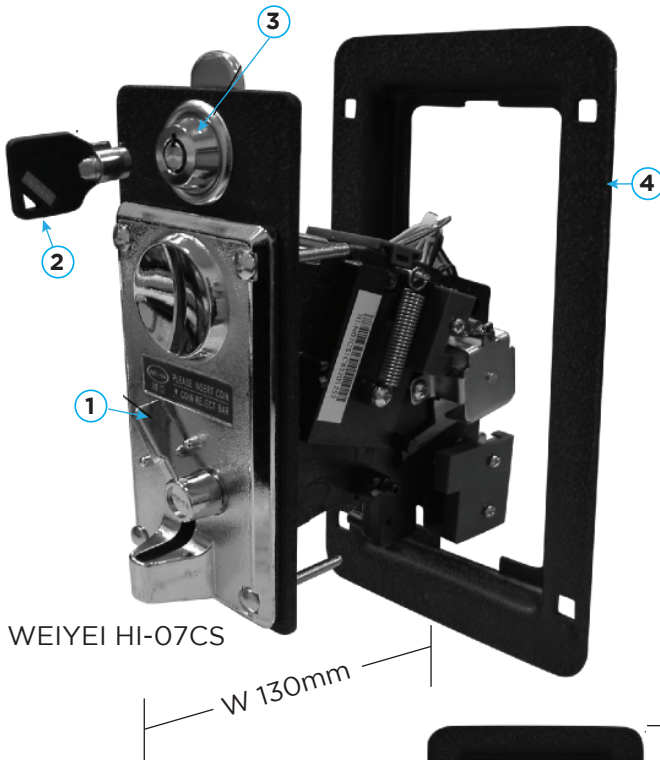
Sonic Kiddie Ride Detail Manual



Side View

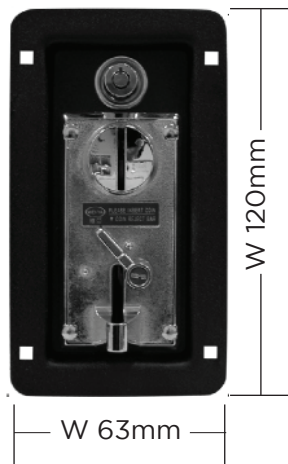
- | | |
|---------------------------|-------------------------|
| 1. Start Button/SFX | 9. Power Plug |
| 2. Steering Wheel | 10. Leveler |
| 3. Coin Acceptor | 11. Wheel |
| 4. Coin Box | 12. Wheel LED Light |
| 5. Racing Seats | 13. Small LED Headlight |
| 6. Tail Brake LED Light 1 | 14. Large LED Headlight |
| 7. Tail Brake LED Light 2 | 15. Maintenance Door |
| 8. Signal LED Light | |

Coin Mech Detail Manual



Electronic Coin Mech

1. Coin Reject Button
2. Key for Coin Machine #8153
3. Lock
4. Mounting Frame



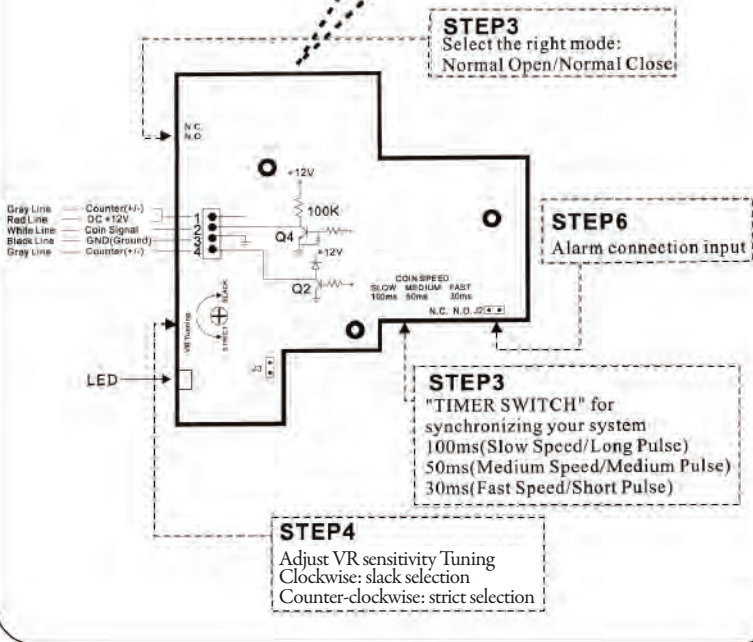
Coin Mech Operating Manual

COIN SPECIFICATION

Diameter: 18mm-31mm
 Thickness: 1.2mm - 3.0mm

USER EQUIPMENT

Voltage: DC 12V ± 20%
 Currents: 200mA



Coin Mech Operating Manual

STEP 1

Choose the right coin for use in the clamp.

STEP 2

Adjust the right insert size for use from the front panel back side.

STEP 3

Select the right mode: Normal Open/Normal Close
“Timer Switch” for synchronizing your system.

100ms (Slow Speed/Long Pulse)

50ms (Medium Speed/Medium Pulse)

30ms (Fast Speed/Short Pulse)

STEP 4

Adjust VR Sensitivity Tuning

Clockwise: slack selection (LED dark -> light)

Counter-clockwise: strict selection (LED light -> dark)

Coin Box Manual

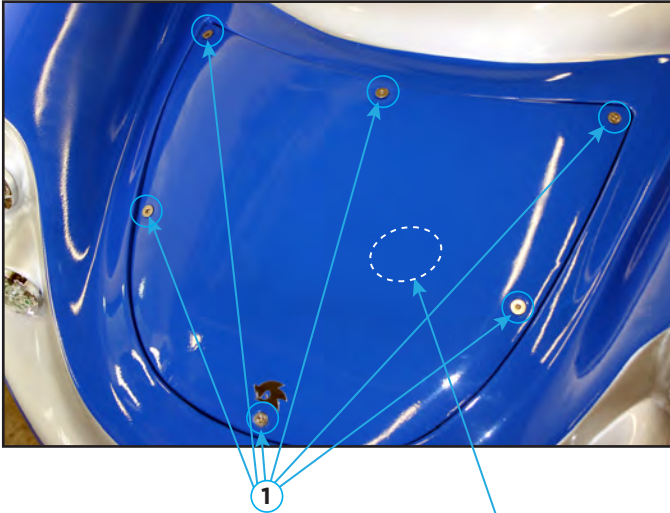


Details

1. Key for Coin Box #103
2. Lock
3. Coin Box Frame
4. Coin Box
5. Door of Coin Box

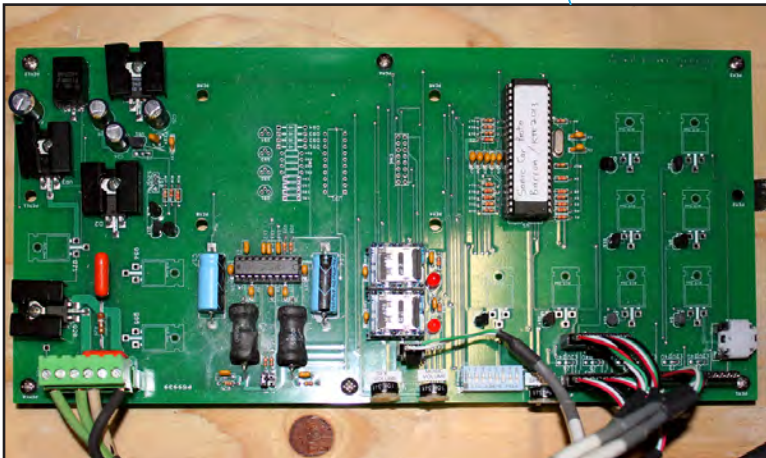
Size: W:175mm x L: 145mm x H: 175mm

Maintenance Access Manual



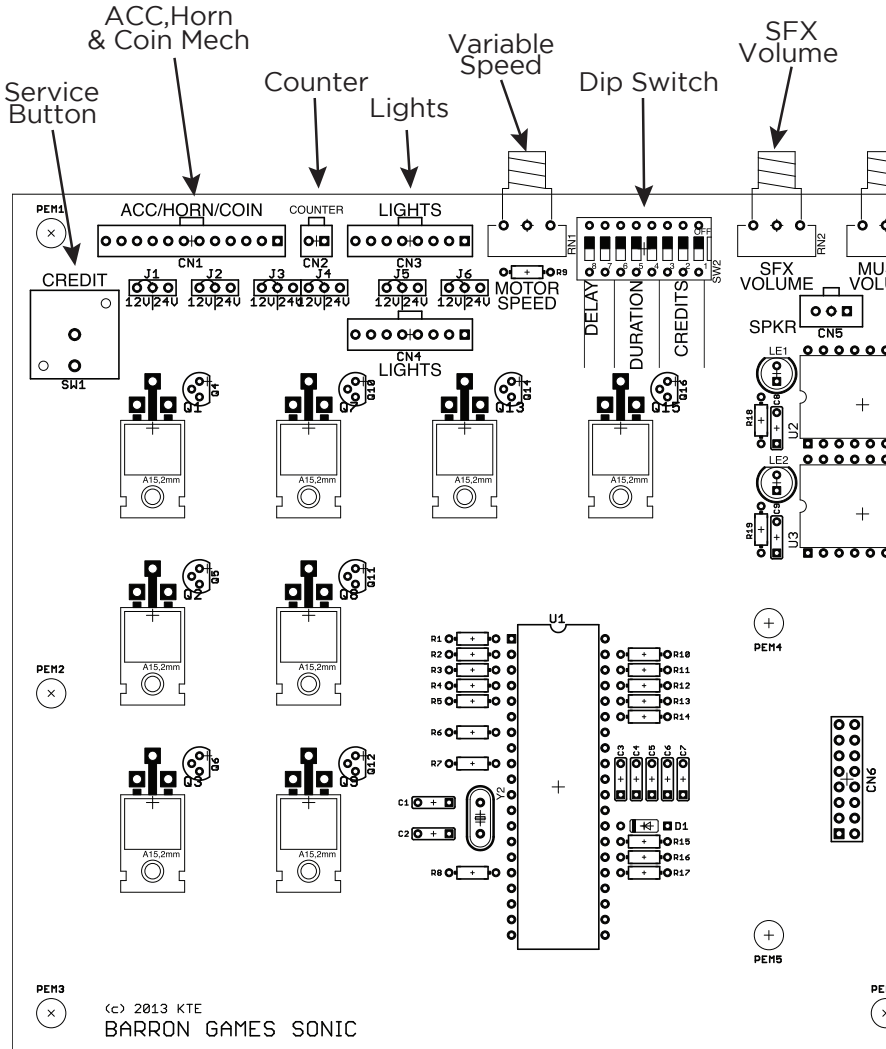
Details

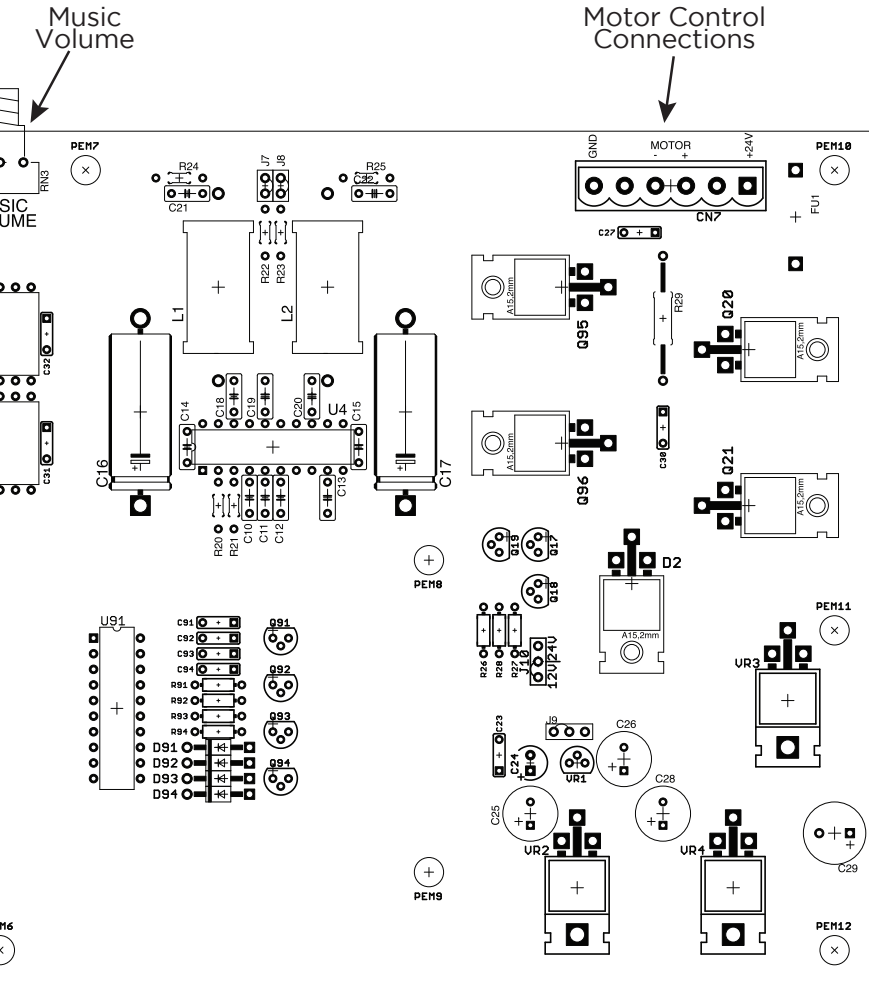
1. Security Access Screws



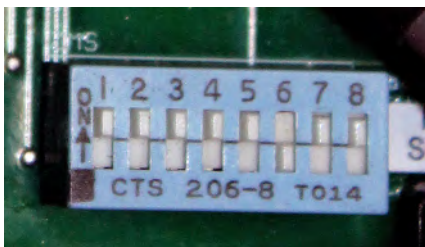
Sonic Kiddie Ride Motherboard.

Manual for the software of the machine





DIP Switch Adjustment



I = UP O = DOWN

***Default switch position is down.**

SW1 - Dip Switch 1

O=OFF I=ON

	1	2	3	4	5	6	7	8
Free	I	I	I					
1 Coin	I	I	O					
2 Coins	I	O	I					
3 Coins	I	O	O					
4 Coins	O	I	I					
5 Coins	O	I	O					
Sound Test	O	O	I					
1 Coin	O	O	O					
10 Seconds				I	I	I		
1 Minute				I	I	O		
2 Minutes				I	O	I		
2.5 Minutes				O	O	I		
3 Minutes				I	O	O		
3.5 Minutes				O	O	O		
4 Minutes				O	I	I		
5 Minutes				O	I	O		
0 Second Delay							I	I
1 Second Delay							I	O
3 Second Delay							O	I
5 Second Delay							O	O

Service Engineers & Maintenance Personnel

No Power

- Make sure the power connector is connected and have correct voltage. Make sure all power switches are “ON”.
- Check the distribution switch is “ON”.
- Check power going out of the 24V transformer

Cannot Insert Coin

- Go to operator menu check coin setting.
- Reinstall reference coin.
- Make sure DIP switches are set for desired setting.

No Sound

- Go to operator menu change volume setting.
- Adjust amplifier volume.
- Check wire connecting speaker
- Make sure game is credited and ON

START/FX Button Failure

- Change micro switch.
- Check wire connecting.
- Check PCB connection

Ride Not Moving.

- Check motor for damage
- Inspect Orange torque Safety arm
- Inspect Gear Box for leaking oil.
- Check to see if there is debris blocking the base from moving.

Maintenance Guide

1. Please keep the machine clean. The exterior is touched by players, resulting in it getting dirty, so please use neutral cleaners on surface.
2. Please regularly clean the machine to maintain appearance. Use stain removers or detergents to clean and remove stains.
3. Check underneath the unit for debris.
4. The appliance must not be cleaned by a water jet.
5. Moving parts inside the appliance, turn off the power before getting into the appliance.

**For Spares and Technical
Service please contact
SEGA TOTAL SOLUTIONS.**



SEGA TOTAL SOLUTIONS

42 Barwell Business Park
Leatherhead Road
Chessington
Surrey
KT9 2NY
United Kingdom

+44 (0)208 391 8072
technical@sega.co.uk