



# Angry Birds Boom!

## Setup and Operation Service Manual

Revision ABB-1.4-10.23.24



© 202X Rovio Entertainment Corporation. Rovio, Angry Birds, Bad Piggies, Mighty Eagle and all related properties, titles, logos and characters are trademarks of Rovio Entertainment Corporation. All Rights Reserved.

Angry Birds Boom! Game Software Copyright 2024 Play Mechanix™ Inc.

This software is based in part on the work of the Independent JPEG Group.

This product includes software developed by the OpenSSL Project for use in the OpenSSL Toolkit. (<http://www.openssl.org/>)

This product includes cryptographic software written by Eric Young ([ey@cryptsoft.com](mailto:ey@cryptsoft.com))

This product includes audio software developed by FMOD Studio. (<https://www.fmod.com/>)

## Angry Birds Boom! Service Manual

### Table of Contents

Safety.....	3
Product Specifications.....	5
Fuse Replacement Guide.....	5
Required Tools.....	6
Universal LCD Stand Setup.....	6
Cabinet Setup.....	10
Game Software Setup.....	12
Card Reader Installation/Setup.....	13
PC Connection Guide.....	14
Maintenance.....	15
Troubleshooting.....	16
Parts.....	18
Contact Information.....	41
System Diagrams.....	41



## Angry Birds Boom! Service Manual

# Safety

---

### OPERATION

Before operating game, read this manual. Failure to properly install and operate this game could result in malfunction or accident. Operate the game in accordance with the manual.

### TRANSPORTING

Cabinet is very heavy and contains fragile components. Use appropriate care when moving or transporting cabinet. Avoid rough handling.

### HANDLING COMPONENTS

Many components are extremely sensitive to handling, environmental and Electrostatic Discharge (ESD) events—especially the computer. Do not handle it roughly. Before servicing, call your distributor and inquire about the PC warranty. Use proper ESD procedures when servicing. Protect components from harmful environmental conditions, such as extreme temperatures, excessive moisture or other damaging effects.

### DISCONNECT POWER

Always turn off power and unplug the units before servicing or making adjustments, unless otherwise instructed. Installing or repairing components while power is on can damage the components and void the warranty.

### GROUNDING

Avoid electrical shock. Do not plug in AC power until you have inspected and properly grounded the unit. Only plug into a grounded, three-wire outlet. Do not use a “cheater” plug or cut off the ground pin on the line cord.

### ELECTRICAL SHOCKS

There is no isolation transformer in the cabinet. Disconnect AC power before servicing. However, be aware that lethal voltages can remain in the electronic components even when AC power is disconnected. Use extreme caution when servicing. Verify that there is a working ground connection. If the unit sustains water damage, cease using it immediately and unplug AC power.

### MONITOR

The monitor contains no user serviceable parts. Do not attempt to service the monitor.

### POWER CORD

If the power cord is damaged or lost, replace it with an identical cord as supplied by the manufacturer or an authorized service agent.

### SURGE SUPPRESSOR

It is recommended that you plug your game’s power cord into a surge suppressor to help protect from power surges that may damage sensitive electronic components.

### WATER AND OTHER LIQUID

Do not install game near sprinkler or other water jet sources. Do not use water jet to clean game. Keep minimum clearance behind game and wall for proper ventilation but also prevent access of liquid from spills and sprays from entering ventilation holes.

## Angry Birds Boom! Service Manual

### CONNECTORS

Ensure all connectors mate properly. If connectors do not slip in easily, do not force them. Connectors are often keyed and only connect one way. Check for correct orientation.

### COMPUTER

The computer contains sensitive components, including a hard drive. Do not handle it roughly. Call your distributor before servicing its internal components. Ask about warranty information as it relates to the PC.

Cycle AC power on or off with the cabinet power switch.

A dongle has been inserted into one of the USB ports. This is required for game play.

Do not remove the dongle except for troubleshooting purposes.

### TEMPERED GLASS WARNING

When handling the LCD display glass cover take special care and set the glass down softly on a flat surface free of debris. The edge of the glass is sensitive to hard impact. Shattered glass from the monitor can travel long distances and cause bodily injury. Use proper procedures when handling broken materials.

### HAZARD TO EPILEPTICS

A small portion of the population has an epileptic condition that may cause seizures. Affected persons experience seizure while watching some television pictures or playing certain video games. People who have not had seizures may still have an undetected epileptic condition. If anyone in your family has experienced epilepsy symptoms (seizures or loss of awareness), consult your physical before using video games. While children play video games, a parent should observe. Be alert to the following symptoms: dizziness, altered vision, eye or muscle twitching, involuntary movements, loss of awareness, disorientation or convulsions. If you or your child experiences these symptoms, discontinue use immediately and consult your physician.

### MANUAL

Keep this manual available and ready for use. If the game fails to function properly, turn off the machine and unplug the AC line cord. Contact your local distributor. You may not reproduce this document or any of its contents without written authorization from Raw Thrills™, Inc. or PlayMechanix™ Inc.

### SPECIFICATIONS

For reasons such as performance, this product's specifications may change without notice. Federal patent, copyright and other intellectual property laws protect the content, devices and design of the game and its equipment.

## Angry Birds Boom! Service Manual

### Product Specifications

#### Electrical Power

United States, Canada (ETL)

Voltage: 120VAC, 60 Hz

Operating AC Current: 4 Amps

International (CE)

Voltage: 230VAC, 50/60 Hz

Operating AC Current: 2 Amps

#### Temperature

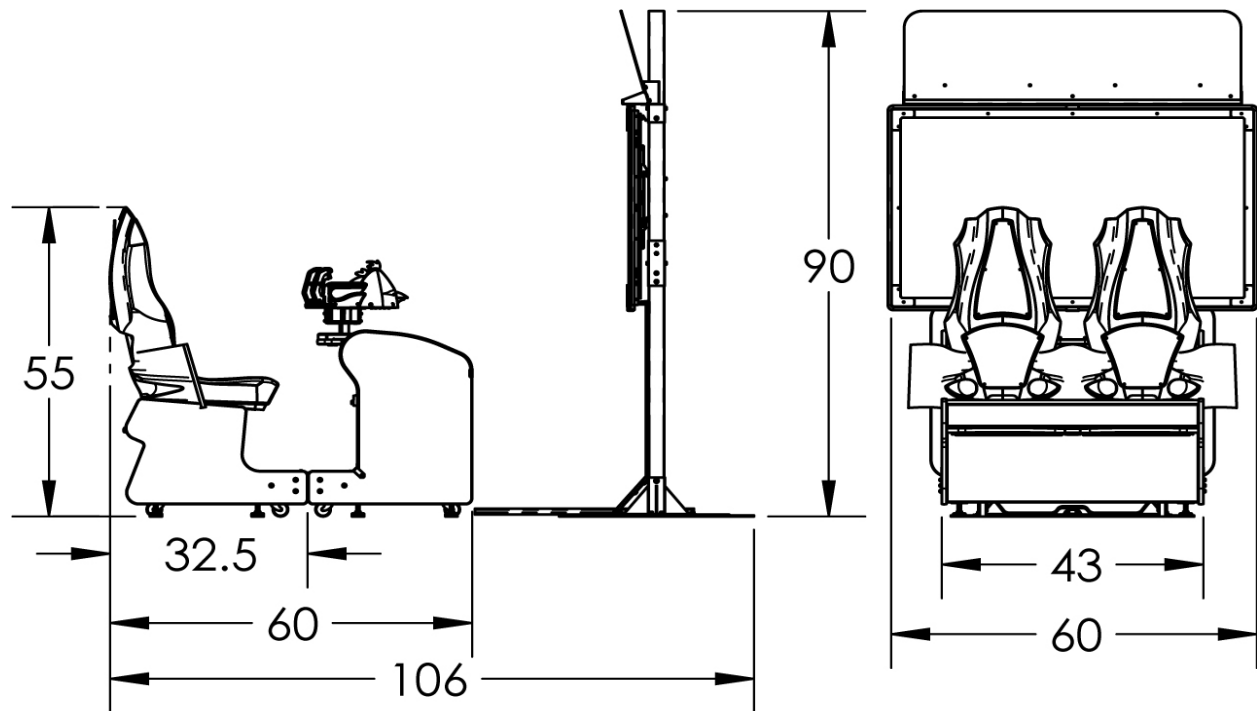
50° to 104° Fahrenheit (10° to 40° Celsius)

#### Humidity

Must not exceed 95% relative humidity

#### Cabinet Dimensions

Component	Height	Width	Depth
Assembled	90" (228.6 cm)	60" (152.4 cm)	106" (269.24 cm)



### Fuse Replacement Guide

NOTE: FOR CONTINUED PROTECTION AGAINST FIRE AND ELECTRICAL DAMAGE, USE ONLY SPECIFIED FUSE TYPE AND VALUE.

10 fuses (six 5A fast, four 2A slow):

Please see unit for specified fuse labeling. Abbreviations:

5A 250V	5A, 250VAC Fast Acting 3AG Fuse	Littlefuse 0312005.MXP (or equivalent)
2A-SB 250V	2A, 250VAC Slow Blow 3AG Fuse	Littlefuse 0313002.HXP (or equivalent)

## Angry Birds Boom! Service Manual

### Required Tools

The following tools are needed to complete cabinet assembly. At least two people are recommended.

- (2) 6' ladders
- Drill or multi-bit screwdriver
- Socket set
- #2 Phillips bit
- T-27 Torx security bit

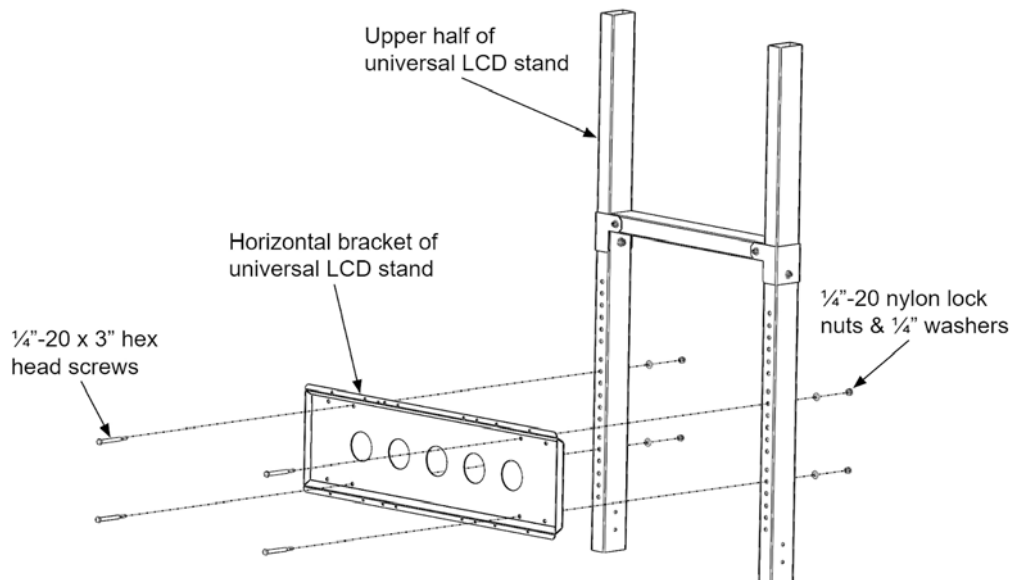
### Universal LCD Stand Setup

#### 1. Assemble LCD Mounting Stand

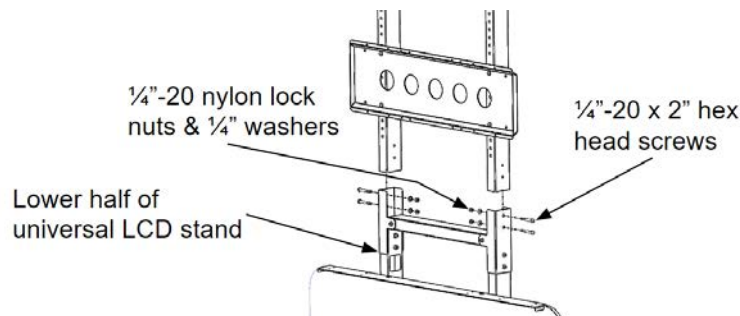
1. Attach the horizontal bracket to the universal LCD stand's upper half using (4)  $\frac{1}{4}$ "-20 x 3" screws plus washers and nylon lock nuts.

*The "correct" set of mounting holes depends on the monitor that's being mounted.*

*Mount the horizontal bracket in the middle and make adjustments later.*



2. Move the lower half of the universal LCD stand to its final location.  
*The assembled stand is heavy and difficult to move.*
3. Remove the (4)  $\frac{1}{4}$ "-20 x 2" screws plus washers and nylon lock nuts installed near the top of the lower half, and use this hardware to attach the upper and lower halves.

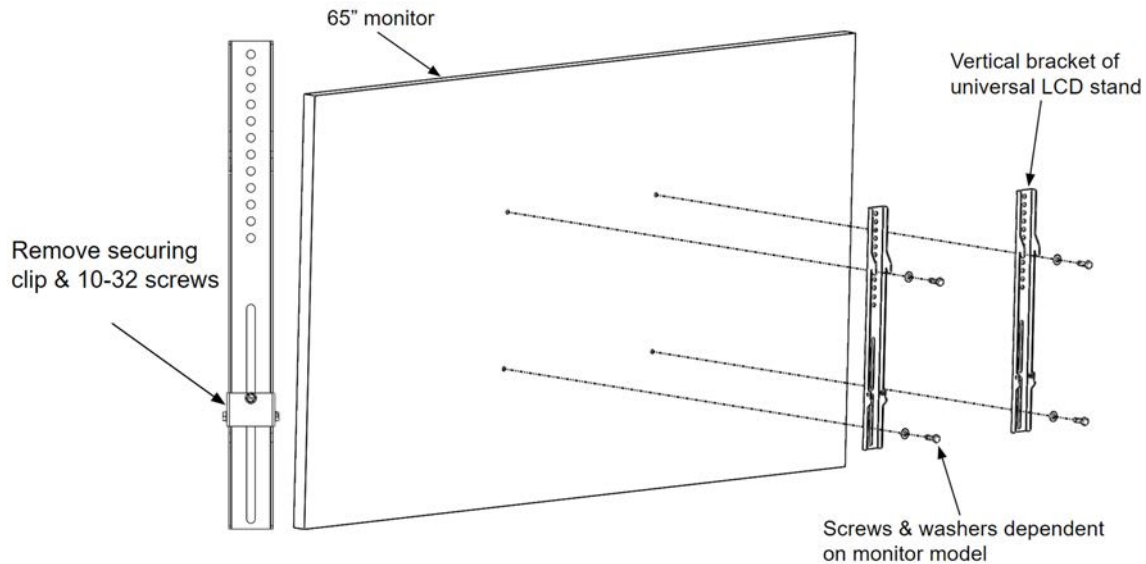




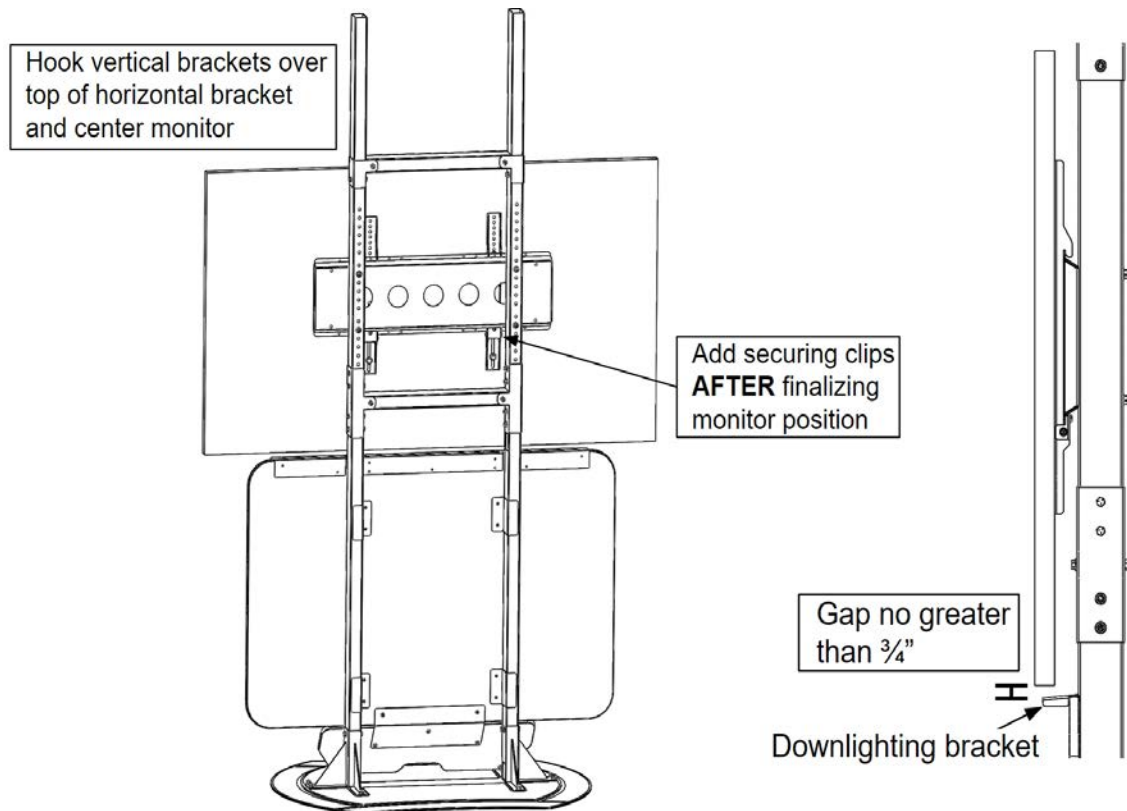
## Angry Birds Boom! Service Manual

### 2. Attach Monitor to LCD Mounting Stand

1. Locate the (2) vertical brackets, monitor, and monitor mounting hardware.
2. Remove the securing clip on the back of each vertical bracket.
3. Attach vertical brackets to VESA mounts on back of monitor using appropriate screws and corresponding washers (M6 and M8 screws of various lengths are provided in a kit).  
*For now, use any set of holes/slots, and make adjustments later.*



4. Have (2) people lift monitor assembly, and hook vertical brackets over top the horizontal bracket. Bottom of monitor should be no more than  $\frac{3}{4}$ " above the downlighting bracket. Remove the monitor and adjust horizontal/vertical brackets until correct.

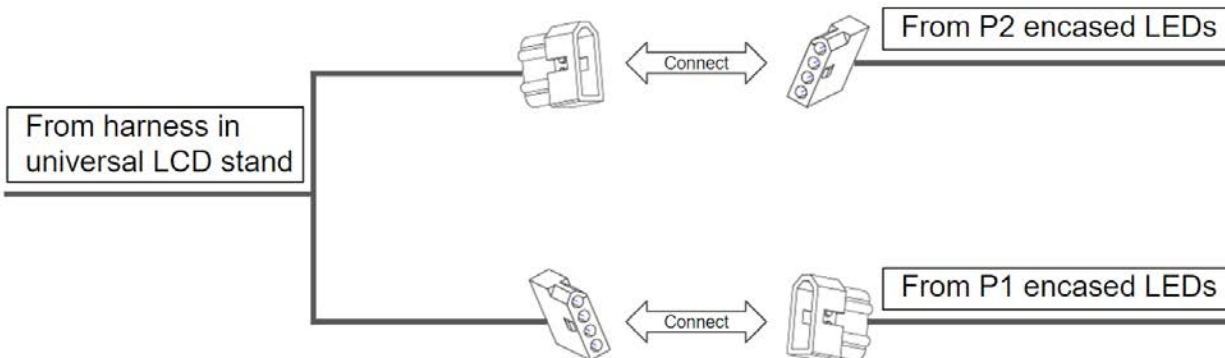
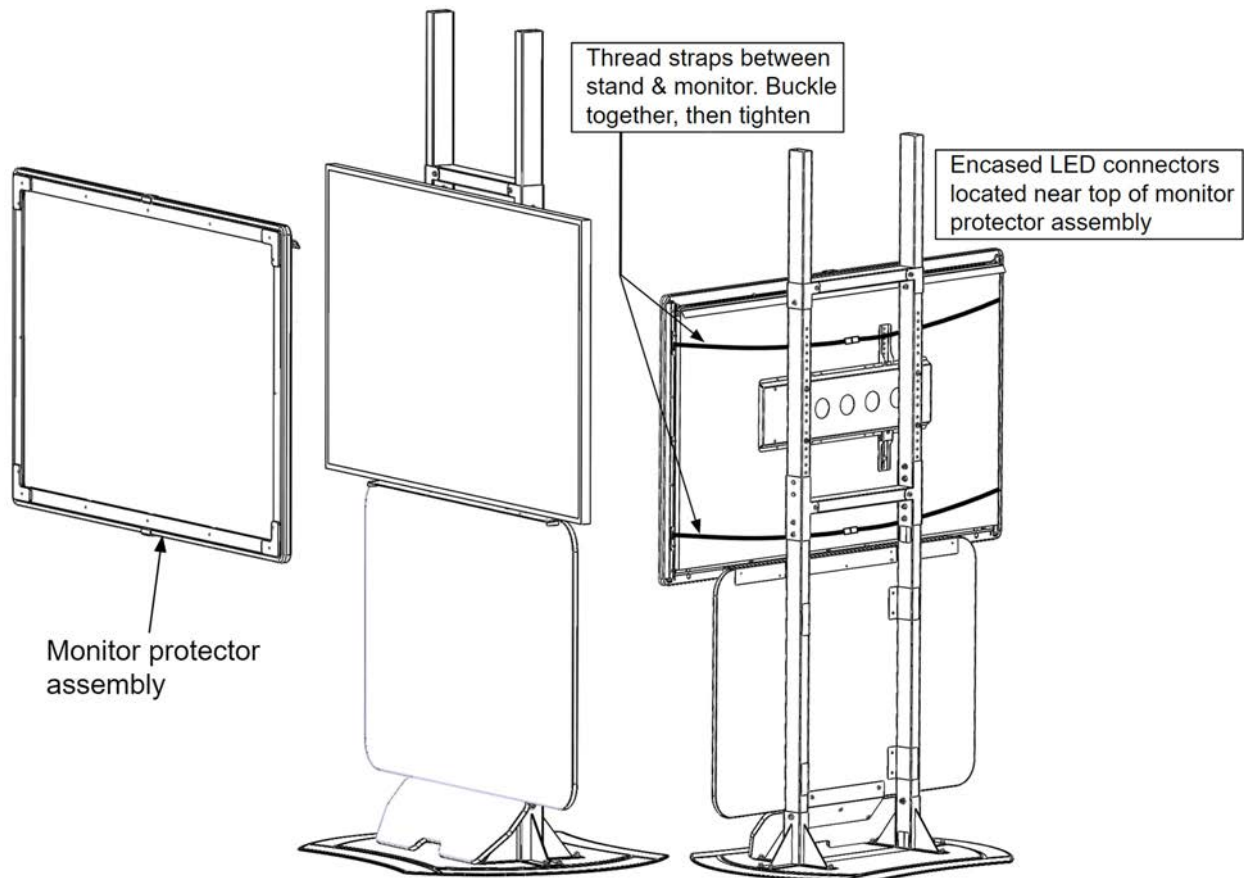


## Angry Birds Boom! Service Manual

5. Plug the monitor power cord into the back of the monitor.
6. Center monitor and secure it using the securing clips and 10-32 screws.

### 3. Attach Monitor Protector Assembly to Monitor

1. Have (2) people lift the monitor protector assembly, and hook over top of the monitor.
2. Thread the monitor protector assembly straps between the stand and the monitor. Buckle the sides together, and tighten the straps to secure monitor protector assembly to monitor.
3. There are (2) 4-pin connectors (different genders) located near the top of the monitor protector assembly that power the encased LEDs. Connect them to the (2) 4-pin connectors that are a part of the harness that exits from a cutout in one of the lower tubes.

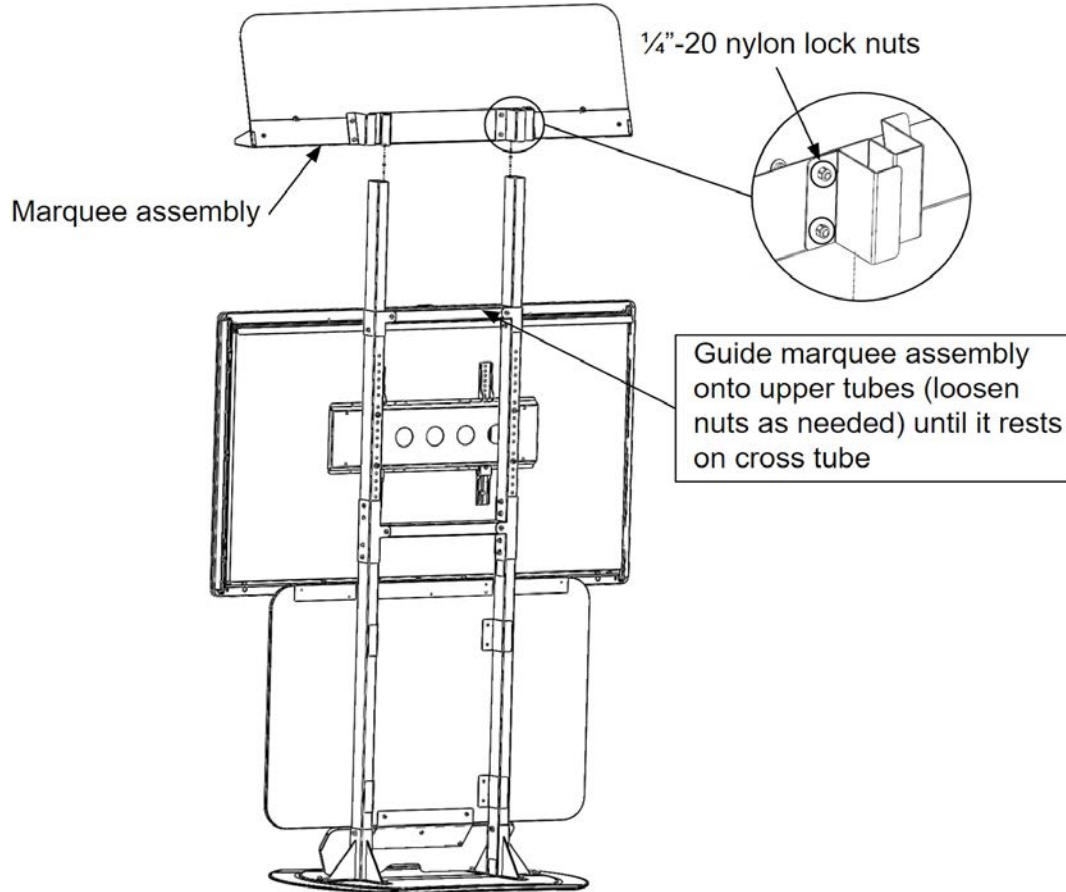




## Angry Birds Boom! Service Manual

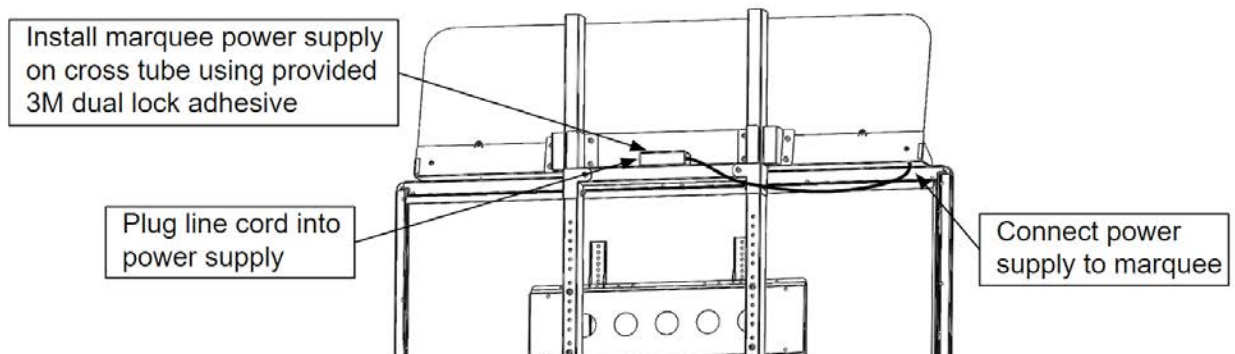
### 4. Attach Marquee Assembly to LCD Mounting Stand

1. On the marquee assembly, loosen (don't remove) the (4) inner ¼"-20 nylon lock nuts.
2. Using ladders, have (2) people lift the marquee assembly above the upper tubes.  
Guide the marquee assembly onto the upper tubes until it rests on the cross tube.
3. Secure the marquee assembly in place by tightening the (4) inner ¼"-20 nylon lock nuts.



### 5. Attach Marquee Power Supply to LCD Mounting Stand

1. Attach marquee power supply to the top of the cross tube behind marquee assembly using the provided 3M dual lock adhesive.
2. Plug the power supply's 4-pin connector into the connector located on the bottom of the marquee assembly.
3. Plug provided line cord into the back of the power supply.

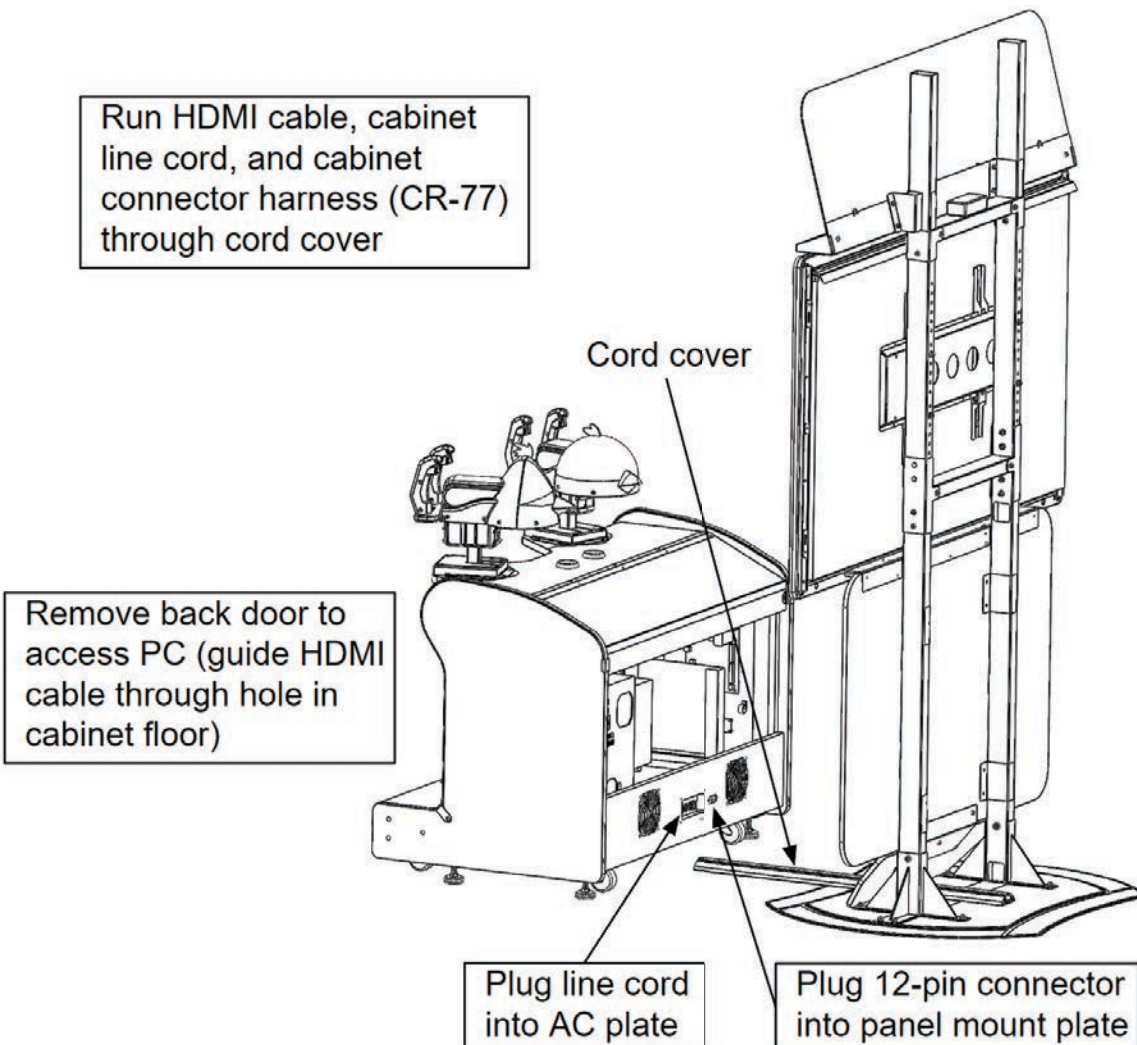


## Angry Birds Boom! Service Manual

# Cabinet Setup

### 1. Setup Control Cabinet

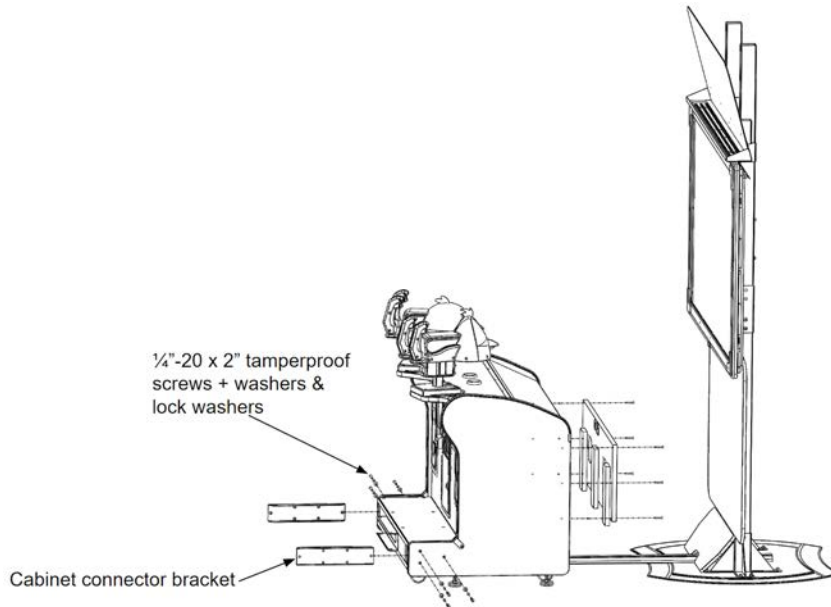
1. Position control cabinet in front of universal LCD stand.  
*The recommended distance between back door and stand's wood panel is 17" to 29".*
2. Locate HDMI cable and cabinet connector harness (CR-77) inside the universal LCD stand base.
3. Run both through the opening in the stand's angled lower panel to the control cabinet.
4. Plug the 12-pin connector into the panel mounted connector on the back of the control cabinet.
5. Remove the back door.
6. Guide the HDMI cable through the hole in control cabinet bottom and plug into PC.
7. Plug the line cord into the AC plate on the back of the cabinet.
8. Secure HDMI cable, cabinet line cord, and cabinet connector harness within the cord cover.
9. Place the cord cover between the control cabinet and universal LCD stand, running any excess cable through the opening in the stand's angled lower panel.  
*Recommended: Secure cord cover to floor with tape. Tape is not supplied due to variety of floor types (carpet, tile, wood, etc.); use a tape suitable for your particular floor.*
10. Replace back door.



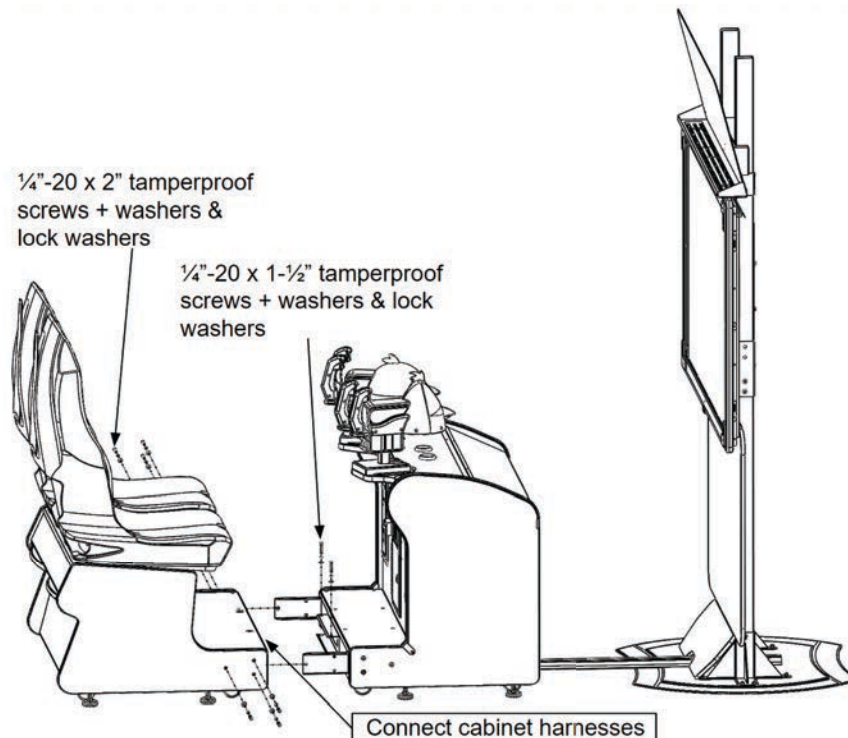
## Angry Birds Boom! Service Manual

### 2. Attach Seat Cabinet to Control Cabinet

1. Secure (2) cabinet connector brackets to control cabinet using (6) ¼"-20 x 2" tamper-proof screws plus washers and lock washers.



2. Place seat cabinet near control cabinet.
3. Connect the harnesses located in each cabinet.
4. Push seat cabinet into control cabinet making sure not to pinch any wires.
5. Secure seat cabinet to cabinet connector brackets using (6) ¼"-20 x 2" tamper-proof screws.
6. Secure seat cabinet to bracket mounted on the front of the control cabinet using (2) ¼"-20 x 1-½" tamper-proof screws plus washers and lock washers. Screws go through slots in treadplate.



## Angry Birds Boom! Service Manual

### 3. Verify Cabinet Functionality

1. Verify the voltage in the nearest AC outlet.
2. Verify the AC outlet ground connection is present and working.
3. Verify that the specified operating current will not overload the supply circuits.
4. Plug the cabinet line cord, marquee assembly power supply line cord, and monitor power cord into supplied power strip.
5. Plug power strip line cord into AC outlet.
6. Turn the main cabinet power switch to ON.
7. Verify that the cooling fans on the cabinet are working.  
*If not, turn off AC power and disconnect line cord. Contact Betson service*
8. Check that no component is excessively hot or emitting foul odors.  
*If so, turn off AC power and disconnect line cord. Contact Betson service.*
9. Once software loads, you will be asked to setup the cabinet software.

## Game Software Setup

---

### Initial Setup

When first turned on, follow the onscreen prompts to complete initial game setup.

### Verify Input and Output Functionality

1. Enter the Diagnostic menu
2. Enter the INPUT TESTS menu and verify all switches and inputs function.
3. Enter the VIDEO TESTS menu and verify that video is acceptable.
4. Enter the COIN METER TEST and verify the operation of the coin meter.
5. Enter the LAMP TESTS menu and verify that the lamps of the buttons work correctly.
6. Enter the SOUND TEST menu and verify the audio works and is not distorted.
7. Enter the WATCHDOG TEST menu, which re-boots the game.
8. Upon a successful re-boot, you are ready to make adjustments to pricing, volume and other functions found in the Diagnostic menu.

## Angry Birds Boom! Service Manual

### Card Reader Installation/Setup

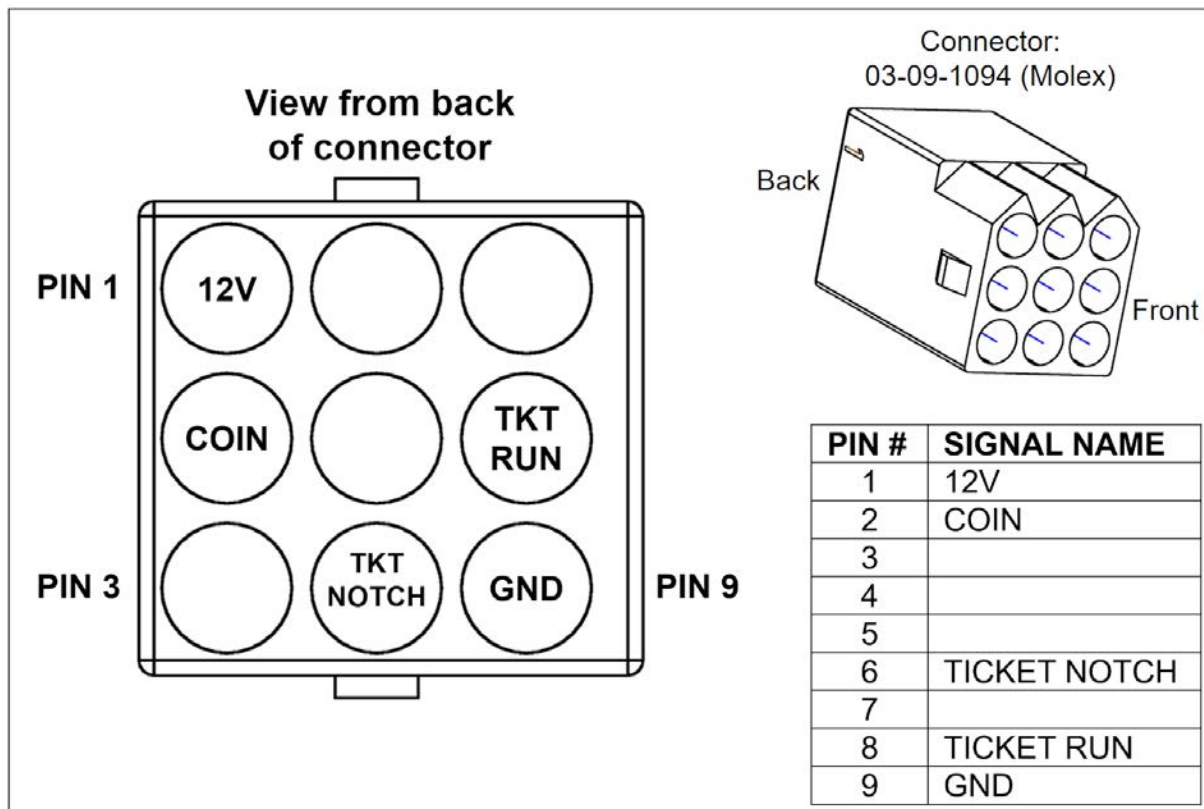
UCL, or Universal Card Link, is a debit card standard established by the American Amusement Machine Association. Visit <https://coin-op.org/standardization/> for the latest UCL standard and manual information.

You can choose to use 1 or 2 card readers in the pricing adjustments section of the test menu. It is recommended to use 2 card readers for best results.

There are (2) supplied UCL connections (located near the test bracket) with enough wire length to accommodate mounting card readers to the control panel or front panel.

If only (1) card reader will be used, use the P1 UCL connector.

The UCL connectors on this game use pins 1, 2, 6, 8, and 9. The other pins are unused. Each UCL connector can supply up to 1A at 12VDC.





### Angry Birds Boom! Service Manual

## PC Connection Guide

\*Note – TV must be connected by an HDMI cable. Do not use an HDMI adapter.





## Angry Birds Boom! Service Manual

# Maintenance

---

### Hard Drive Recovery

Symptoms requiring hard drive recovery include:

- File Test reports bad or missing files
- Game fails to finish loading during startup
- After resetting the AC power, an error is reported
- You are prompted to insert a boot DVD
- Erratic Game or Attract Mode
- A screen indicating Data Files Corrupted

### COMPUTER

The computer contains sensitive components, including a hard drive. Do not handle roughly. Call your distributor before servicing its internal components. Ask about warranty information as it relates to the PC.

Do **not** use the PC on/off switch. Turn AC power on or off with the main cabinet power switches.

### Flash Drive Restore

1. Turn both cabinet AC power switches to OFF.
2. Connect USB flash drive to an open USB port found inside the coin door.
3. Turn both cabinet AC power switches to ON.
4. Initial software loading may take several minutes. Check progress periodically.  
***Do not interrupt power or reset the game during recovery.***
5. When software has finished loading, a message indicates that restore is complete.
6. Turn both cabinet power switches to OFF and disconnect USB flash drive.
7. After 30 seconds, turn both cabinet power switches to ON.
8. After game restarts, the game will proceed through the Setup wizard with factory defaults.

## Angry Birds Boom! Service Manual

# Troubleshooting

**Warning: Review safety chapter before making any adjustments to game.**

### General Troubleshooting

Problem	Possible Cause	Solution
Game will not power up	Game not plugged in.	Plug game into outlet.
	Game not turned on.	Turn on main power switch.
	Game fuse is blown.	Check and replace fuse.
	Game power line circuit breaker tripped.	Check and reset game power line circuit breaker.
	No power to receptacle.	Test outlet and plug game into powered outlet.
	PC not turned on.	Ensure IEC cable tightly plugged in. Trace cable back to source to ensure continuity.
	PC BIOS set incorrectly.	Set PC BIOS to boot on power.

NO VIDEO message	Video cables not plugged in properly	Reattach and/or tighten video cable to monitor. Reattach and/or tighten video cable to PC.
	Faulty video cable	Replace video cable

No sound	Bad Connection	Check connection to speakers and amplifier board.
	Audio Cable Disconnected	Check audio cable and connection

Game does not load	Hard drive failure	Recover hard drive.  See procedure on pg 15.
Hard drive test reports "bad" or "missing" files.		
Game fails to finish loading.		
After resetting, game still reports an error.		
Game suggests inserting a boot DVD.		
Erratic game mode or attract mode.		
<p style="text-align: center;"><b>WARNING!</b> Data Files Corrupted. (Game Operation May Become Unstable.) Use "Test" Switch to Enter Test Mode and Run "File Test." Press Start To Continue.</p>		

Game resets	Bad file.	Run File Test. Restore hard drive.
-------------	-----------	------------------------------------

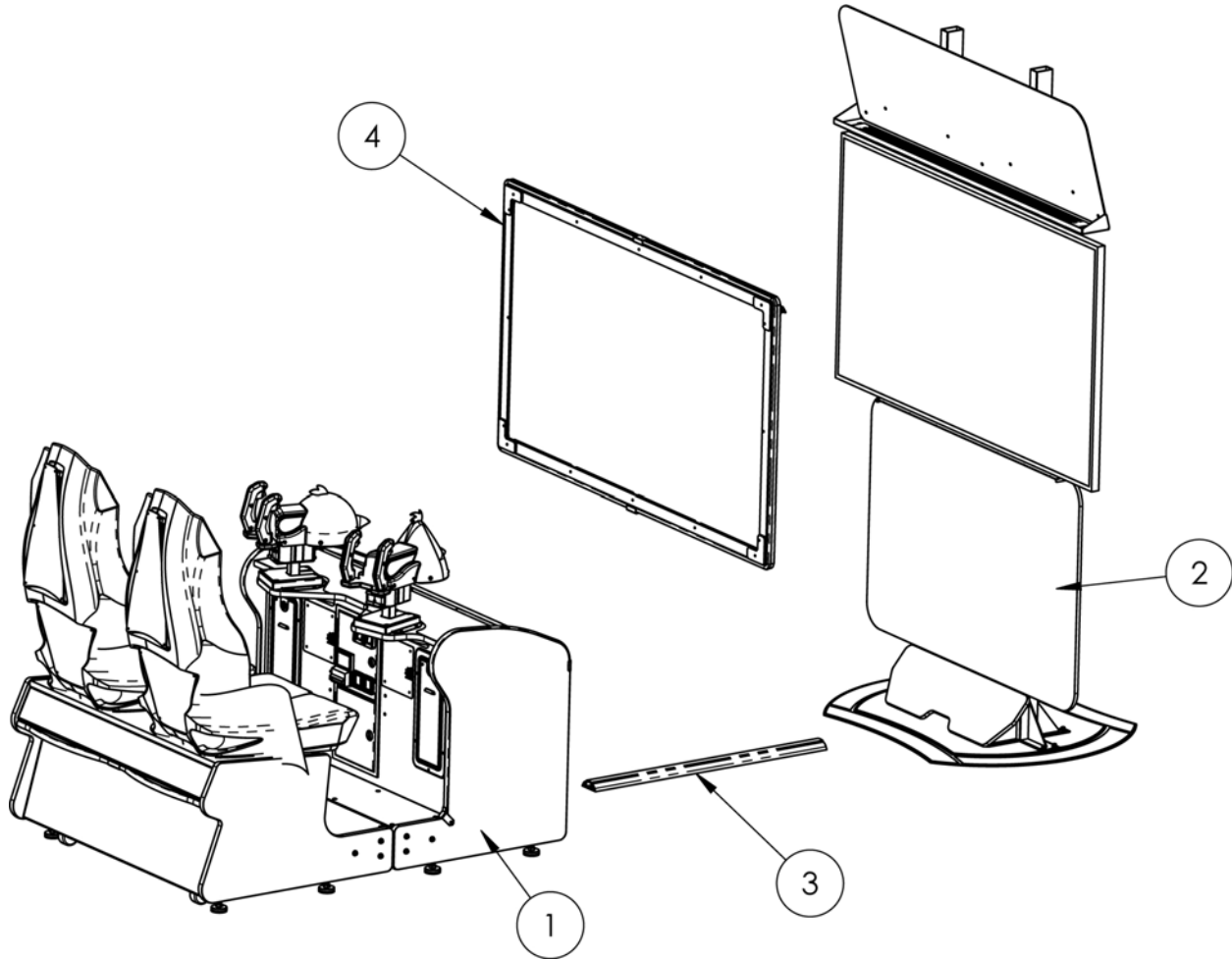
## Angry Birds Boom! Service Manual

<b>Problem</b>	<b>Possible Cause</b>	<b>Solution</b>
Coin meter does not click	No pulse to meter	Check all wiring from meter to I/O board
	Faulty meter	Replace coin meter
Exits Test Mode every 3 seconds	Test button stuck in ON position	Slide or toggle button off after Test Menu appears
<i>Dongle Not Present</i>	Dongle missing or disconnected	Find dongle usb connection and reseal in USB port
	Faulty USB port	Test dongle in another USB port
<i>Connect I/O Board or I/O Board Missing</i>	USB cable disconnected	Check USB connection from PC to I/O board
	Blown fuse	Check and replace fuse.
	No power to RIO2 board	Check for proper voltage (+12V) at RIO2 P1 connector
	Bad RIO2 Board	Replace RIO2 board with known functional board

## Angry Birds Boom! Service Manual

### Parts

#### Angry Birds Boom! – Game Assembly

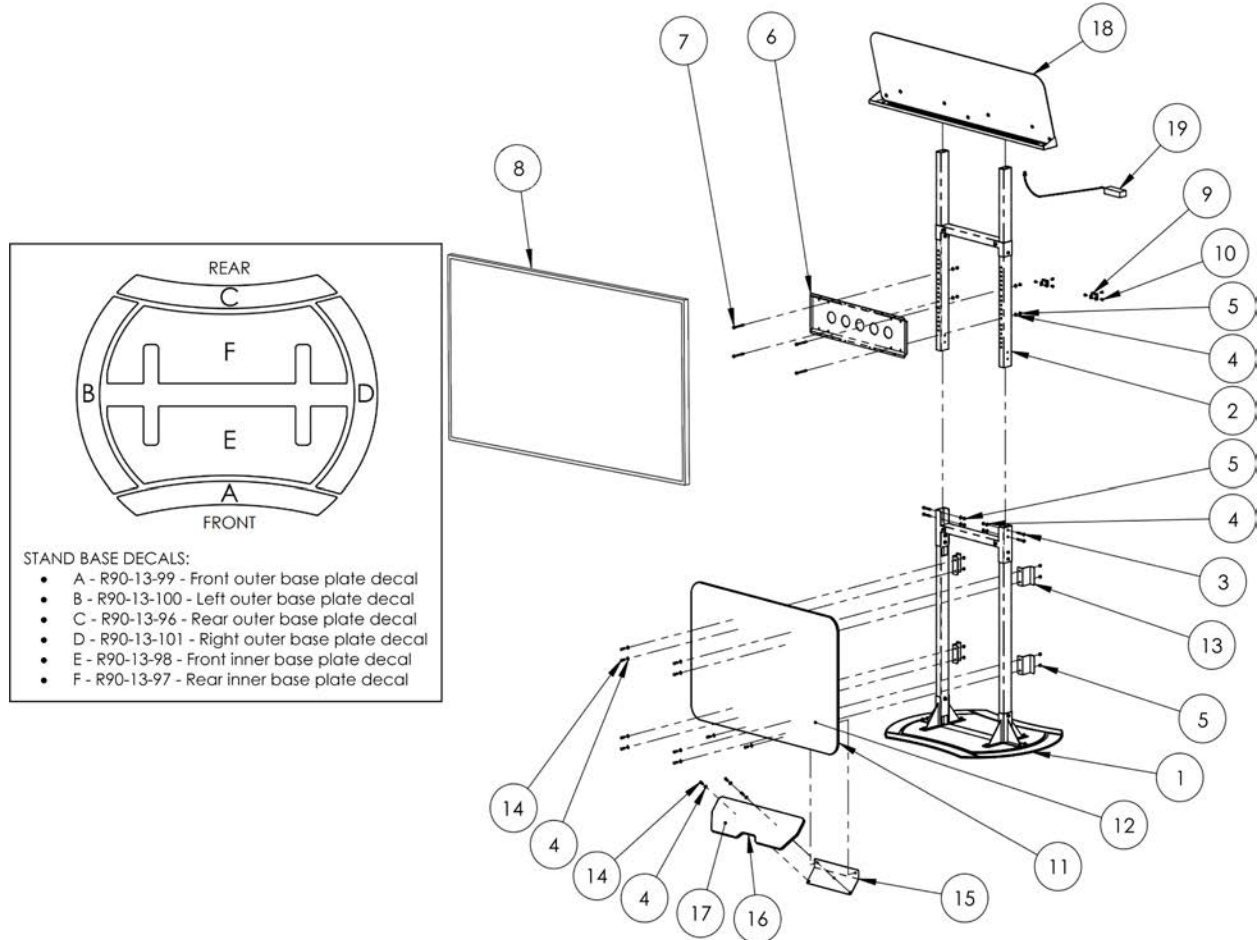


#### Angry Birds Boom! – Game Assembly Part Numbers

Item	Part No.	Description	QTY
1	Angry Birds Player Cabinet Assembly	Player Seat Cabinet Assembly	1
2	Angry Birds Monitor Stand Assembly	LCD Monitor Stand Assembly	1
3	Partec – 7-258	Black Rubber Cord Cover 3'	1
4	Angry Birds Monitor Protector Assembly	Monitor Protector Assembly	1

## Angry Birds Boom! Service Manual

### Angry Birds Boom! – LCD Stand Assembly

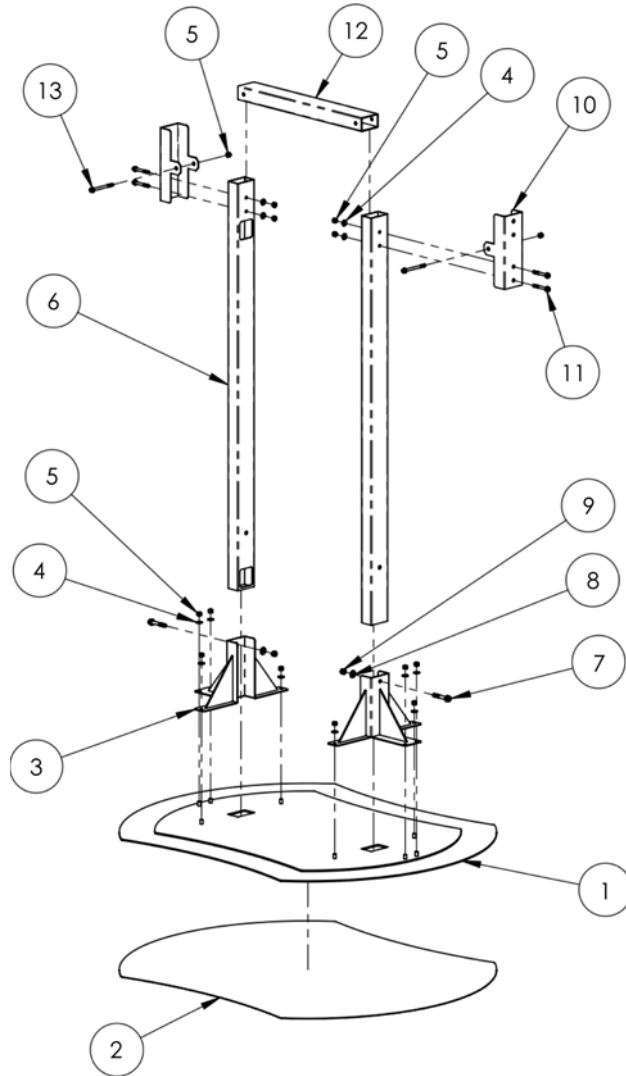


### Angry Birds Boom! – LCD Stand Assembly Part Numbers

Item	Part No.	Description	QTY
1	Lower_Half_Sub-Assy_of_Universal_LCD_Stand	Universal LCD Stand – Lower Half	1
2	Upper_Half_Sub-Assy_of_Universal_LCD_Stand	Universal LCD Stand – Upper Half	1
3	McMaster-Carr – 92316A550	High Strength Grade 8 Steel Hex Head Screw, Flanged, ¼”-20 thread, 2” long	4
4	McMaster-Carr – 97416A119	Steel SAE Washer for ¼” screw size, 0.281” ID, 0.625” OD	21
5	McMaster-Carr – 9133A150	Low-Strength Steel Nylon-Insert Locknut, Black Ultra-Corrosion-Resistant Coated, ¼”-20 thread size	16
6	600-00752-01	Universal LCD Mount- Horizontal Bracket	1
7	McMaster-Carr – 92316A554	High-Strength Grade 8 Steel Hex Head Screw, Flanged, ¼”-20 thread size, 3” long	4
8	AB Monitor & Mounting Hooks	65” Monitor w/ Mounting Hook Brackets	1
9	600-00760-01	Universal LCD Mount – Securing Clip	2
10	McMaster-Carr – 90316A829	Stainless Steel Flanged Hex Head Screws with Slotted drive, 10-32 thread size, ½” long	6
11	R90-23-38	Lower Sign Panel	1
12	R90-13-64	Lower Sign Decal	1
13	600-02420-01	Marquee Cinch Bracket	4
14	McMaster-Carr – 96075A223	Tamper-Resistant Torx Screw, ¼”-20 thread, 1” long	13
15	600-02431-01	Lower Sign Bracket	1
16	R90-23-39	Angled Lower Panel	1
17	R90-13-65	Angled Lower Sign Decal	1
18	AB_Marquee_Assy	Marquee Assembly	1
19	Partec – CA-4177	Marquee Power Supply & 8-582 Line Cord	1

## Angry Birds Boom! Service Manual

### Angry Birds Boom! – Universal LCD Stand – Lower Assembly



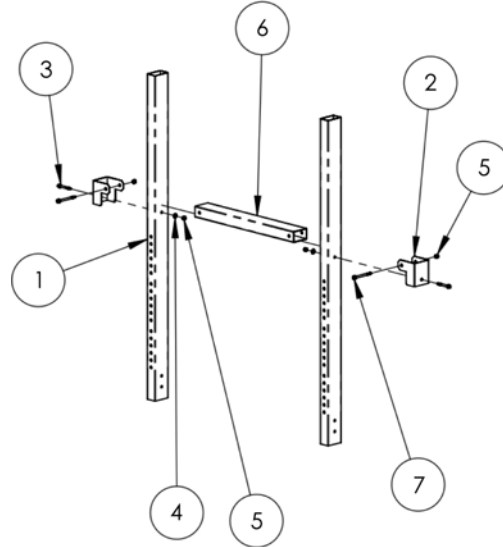
### Angry Birds Boom! – Universal LCD Stand – Lower Assembly Part Numbers

Item	Part No.	Description	QTY
1	600-00990-01	Stand Base	1
2	600-00994-01	Rubber Base Pad	1
3	600-00989-01	Welded Tube Support	2
4	McMaster-Carr – 97416A119	Steel SAE Washer for 1/4" screw size, 0.281" ID, 0.625" OD	12
5	McMaster-Carr – 9133A150	Low-Strength Steel Nylon-Insert Locknut, Black Ultra-Corrosion-Resistant Coated, 1/4"-20 thread size	14
6	600-00987-01	Lower Tube	2
7	McMaster-Carr – 92316A327	High-Strength-Grade 8 Steel Hex Head Screw, Flanged, 5/16"-24 thread size, 2" long	2
8	McMaster-Carr – 92316A327	Black-Oxide 18-8 Stainless Steel Washer for 5/16" screw size, 0.344" ID, 0.75" OD	2
9	McMaster-Carr – 96765A145	18-8 Stainless Steel Nylon-Insert Locknut, 5/16"-24 thread size	2
10	600-00985-01	Tube Joiner	2
11	McMaster-Carr – 92316A550	High Strength Grade 8 Steel Hex Head Screw, Flanged, 1/4"-20 thread, 2" long	4
12	600-00991-01	Cross Tube	1
13	McMaster-Carr – 92316A554	High Strength Grade 8 Steel Hex Head Screw, 1/4"-20 thread 3" long	2



## Angry Birds Boom! Service Manual

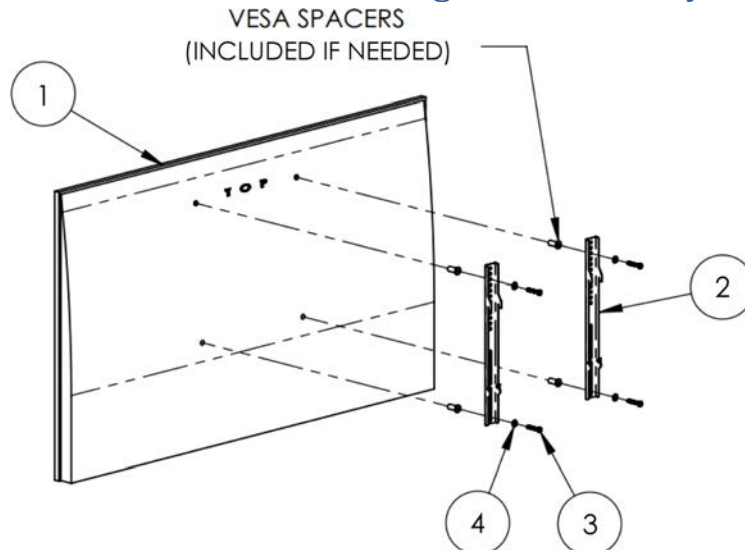
### Angry Birds Boom! – Universal LCD Stand – Upper Assembly



### Angry Birds Boom! – Universal LCD Stand – Upper Assembly Part Numbers

Item	Part No.	Description	QTY
1	600-00986-01	Upper Tube	2
2	600-00988-01	Upper Bracket	2
3	McMaster-Carr – 92316A550	High Strength Grade 8 Steel Hex Head Screw, Flanged, ¼”-20 thread, 2” long	2
4	McMaster-Carr – 97416A119	Steel SAE Washer for ¼” screw size, 0.281” ID, 0.625” OD	2
5	McMaster-Carr – 9133A150	Low-Strength Steel Nylon-Insert Locknut, Black Ultra-Corrosion-Resistant Coated, ¼”-20 thread size	4
6	600-00991-01	Cross Tube	1
7	McMaster-Carr – 92316A554	High Strength Grade 8 Steel Hex Head Screw, ¼”-20 thread 3” long	2

### Angry Birds Boom! – Monitor and Mounting Hook Assembly

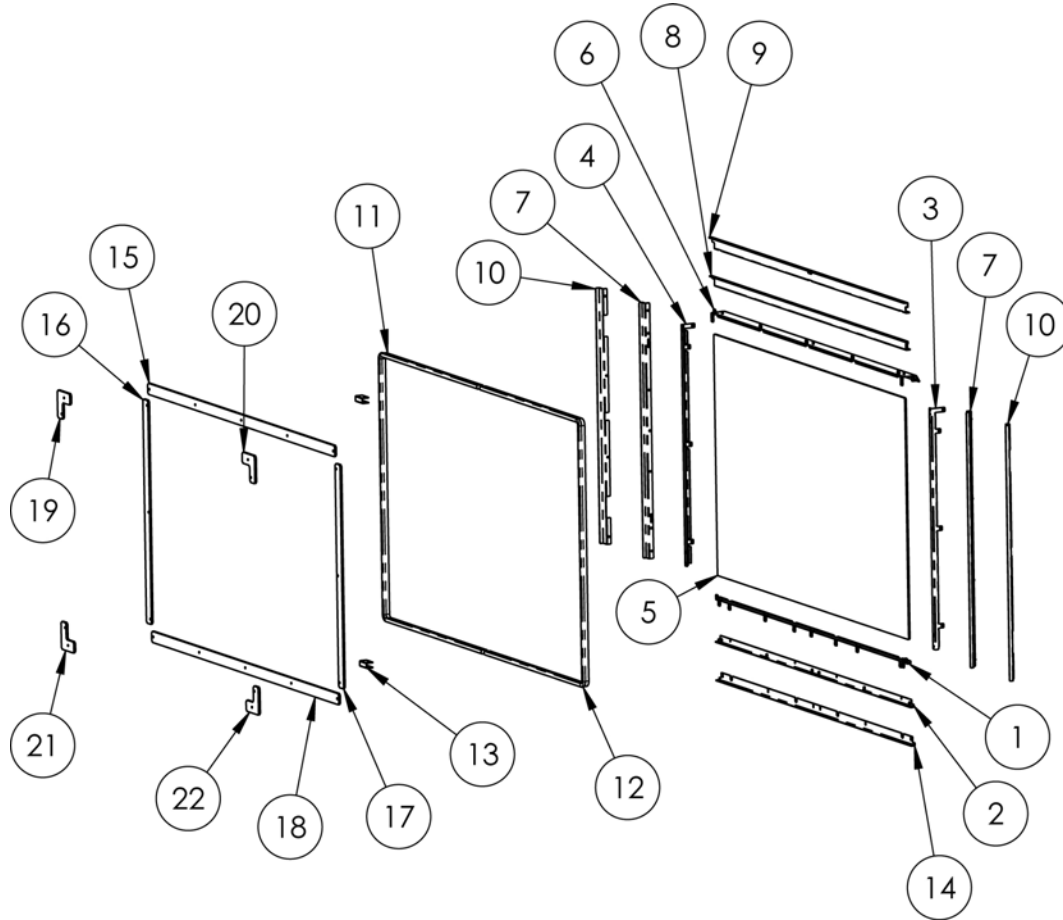


### Angry Birds Boom! – Monitor and Mounting Hook Assembly Part Numbers

Item	Part No.	Description	QTY
1	809-00016-01	65” Commercial Grade LED TV (exact model varies)	1
2	600-00751-01	Universal LCD Mount – Vertical Brackets	2
3	Depends on monitor model	Monitor mounting screws	4
4	Depends on monitor model	Monitor mounting screws	4

## Angry Birds Boom! Service Manual

### Angry Birds Boom! – Monitor Protector Assembly

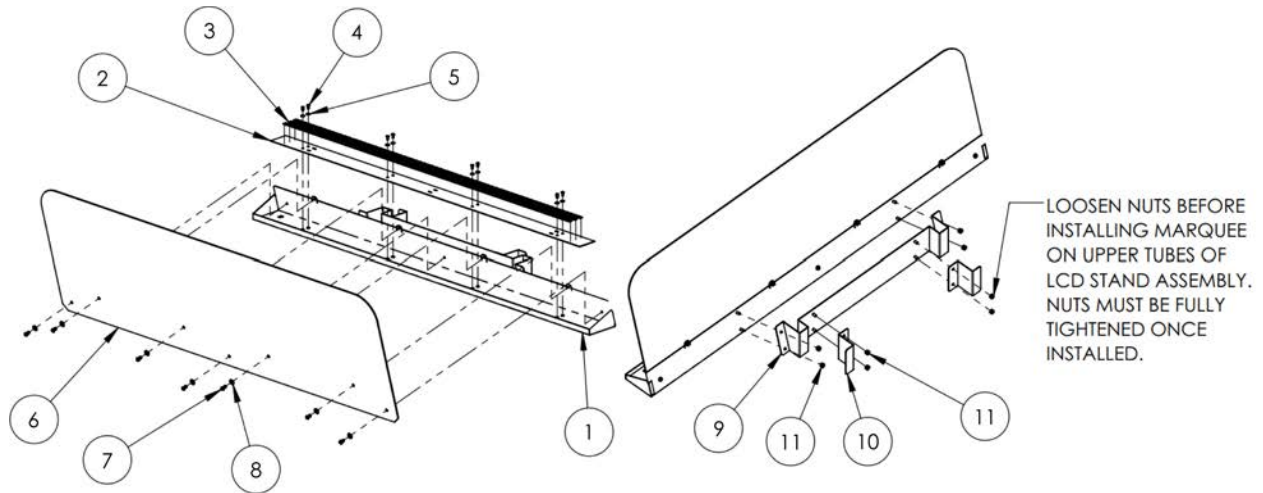


### Angry Birds Boom! – Monitor Protector Assembly Part Numbers

Item	Part No.	Description	QTY
1	R1-1172	Plexi holder bottom bracket	1
2	R1-1176	Encased LED clamp bottom bracket	1
3	R1-1174	Plexi holder side bracket	1
4	R1-1175	Plexi holder side bracket, mirror	1
5	R4-1043	Monitor Cover (65")	1
6	R1-1173	Plexi holder top bracket	1
7	R1-1178	Encased LED clamp bracket - side	2
8	R1-1177	Encased LED clamp bracket - top	1
9	R1-1203	Encased LED clamp bracket – long cap top	1
10	R1-1182	Encased LED clamp bracket – short cap	2
11	CR-80	Encased LEDs – player 1	1
12	CR-81	Encased LEDs – player 2	1
13	R1-1204	Encased LED – gap clip	2
14	R1-1181	Encased LED clamp bracket – long cap bottom	1
15	R90-13-68	Printed monitor bezel panel – upper base	1
16	R90-13-69	Printed monitor bezel panel – left base	1
17	R90-13-70	Printed monitor bezel panel – lower base	1
18	R90-13-71	Printed monitor bezel panel – right base	1
19	R90-13-72	Printed monitor bezel panel – upper left cap	1
20	R90-13-73	Printed monitor bezel panel – upper right cap	1
21	R90-13-74	Printed monitor bezel panel – lower left cap	1
22	R90-13-75	Printed monitor bezel panel – lower right cap	1

## Angry Birds Boom! Service Manual

### Angry Birds Boom! – Marquee Assembly

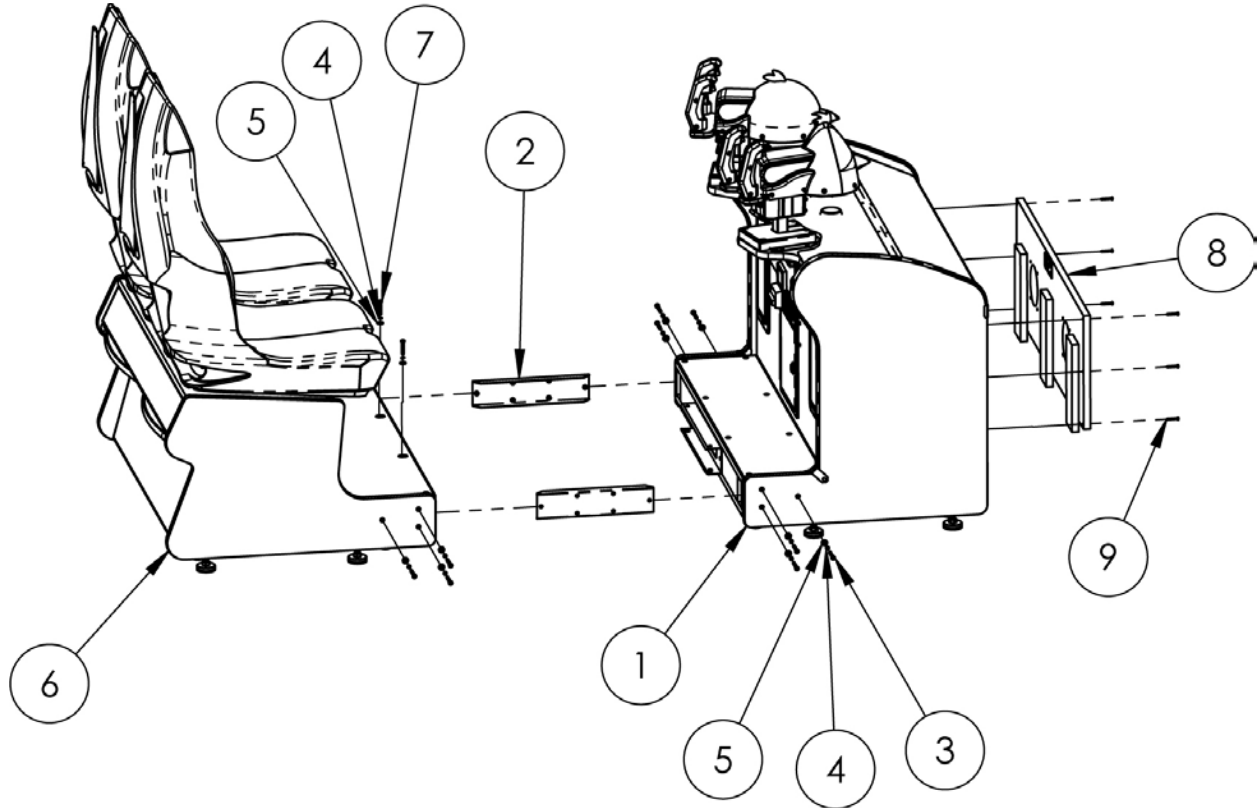


### Angry Birds Boom! – Marquee Assembly Part Numbers

Item	Part No.	Description	QTY
1	600-02426-01	Main Marquee Bracket	1
2	600-01735-01	Marquee LED Sintra Panel	1
3	Partec – CA-4176	Marquee LED Cable (500-00162-01: 3x 120cm)	1
4	McMaster-Carr – 91249A192	Black-Oxide 18-8 Stainless Steel Pan Head Phillips Screws, 8-32 thread, 3/8" Long	8
5	McMaster-Carr – 97416A113	Black-Oxide Steel SAE Washer for Number 8 Screw Size, 0.188" ID, 0.438" OD	8
6	R90-13-76	Printed Marquee Panel	1
7	McMaster-Carr – 96075A211	Alloy Steel Tamper-Resistant Button Head Torx Screws, 1/4"-20 Thread, 1/2" Long	7
8	McMaster-Carr – 97416A119	Steel SAE Washer for 1/4" screw size, 0.281" ID, 0.625" OD	7
9	600-02419-01	Marquee Mounting Bracket	1
10	600-02420-01	Marquee Cinch Bracket	2
11	McMaster-Carr – 91333A150	Low-Strength Steel Nylon-Insert Locknut, Black Ultra-Corrosion-Resistant Coated, 1/4"-20 thread size	8

## Angry Birds Boom! Service Manual

### Angry Birds Boom! - Player Cabinet Assembly

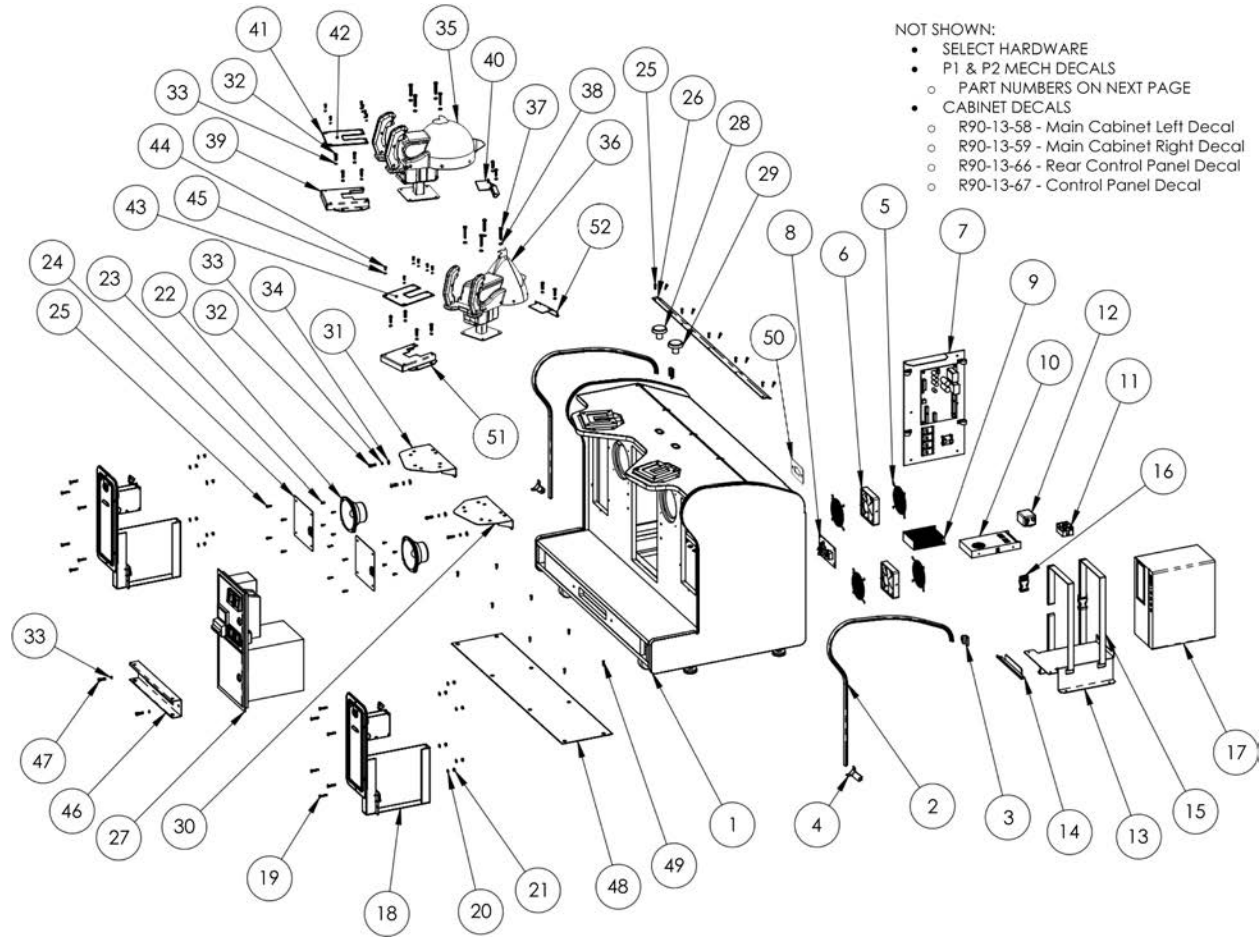


### Angry Birds Boom! - Player Cabinet Assembly Part Numbers

Item	Part No.	Description	QTY
1	AB_Control_Assy	Control Cabinet Assembly	1
2	600-01457-01	Cabinet Connect Bracket	2
3	Partec - 31-TP250-03-004	Alloy Steel Tamper-Resistant	12
4	McMaster-Carr - 93711A500	Black-Oxide 18-8 Stainless Steel Split Lock Washer for 1/4" Socket Head Screws, 0.26" ID, 0.363" OD	14
5	McMaster-Carr - 97416A119	Steel SAE Washer for 1/4" screw size, 0.281" ID, 0.625" OD	14
6	AB_Pedestal_Assy	Pedestal Cabinet Assembly	1
7	McMaster-Carr - 96075A231	Alloy Steel Tamper-Resistant Button Head Torx Screws, 1/4"-20 Thread, 1-1/2" Long	2
8	AB_Back_Door_Assy	Back Door Assembly	1
9	McMaster-Carr - 90190A201	Phillips Rounded Head Screws for Sheet Metal, Zinc-Plated Steel, Number 8 Size, 1-1/4" Long	6

## Angry Birds Boom! Service Manual

### Angry Birds Boom! – Control Cabinet Assembly



### Angry Birds Boom! – Control Cabinet Assembly Part Numbers

Item	Part No.	Description	QTY
1	R90-13-76	Main Cabinet	1
2	603-00718-01 (47.5in)	LED T-Molding Extrusion – 47.5" (& CA-4231 – 500-00131-01: 1x 120cm)	2
3	600-01938-01	LED T-Molding Clip	2
4	600-01939-01	Flanged LED T-Molding Clip	2
5	800-00001-00	120mm Wire Fan Guard	4
6	Partec – CA-3277	Cooling Fan (standard size): 12VDC, 3W, 80CFM (820-00012-00)	2
7	AB_RIO_Assy	RIO Assembly w/ Mounting Plate	1
8	AC_Plate_Assy	AC Power Plate Sub-Assembly	1
9	330-00002-01	LRS-150F-24: 150W, 24V Low Leakage Power Supply	1
10	500-00193-01	RSP-320-12: 320W, 12V PFC Dual Voltage Power Supply	1
11	800-00079-01	Crouzet 84137910N 25A Solid State Relay	1
12	442-00001-01	Power Line Filter (Corcom 6MV1)	1
13	600-02422-01	PC Mounting Bracket	1
14	600-02427-01	PC Retaining Clip	1
15	McMaster-Carr – 8742K76 (56in)	Nylon Fabric Strip, Black, 1" Wide, .08" Thick, 56" Long	2
16	McMaster-Carr – 29705T86	Plastic Buckle, Black, Squeeze-Release, NO-Sew for 1" Webbing	2
17	R90-AP-8	Lenovo TC M70t (& 310-00005-01: GTX1650 Video Card)	1
18	800-00043-01	Single Ticket Dispenser Door Assembly	2
19	Partec – 31-CB010-03-002	Black Oxide Steel Square-Neck Carriage Bolt, Low-Strength- 10-24 Thread Size, 1-1/4" Long	12
20	McMaster-Carr – 91090A103	Zinc-Plated Steel Oversized Washer for Number 10 Screw Size, 0.203" ID, 0.5" OD	12
21	McMaster-Carr – 90675A011	Steel Locknut with External-Tooth Lock Washer, Zinc-Plated, 10-24 Thread Size	12
22	2-1-10-00-00-000	5.25" Speaker, 8 Ohm, Full Range	2
23	McMaster-Carr – 90935A194	Phillips Rounded Head Screws for Sheet Metal, Black-Oxide Steel, Number 8 Size, 1/2" Long	8
24	600-01464-01	Speaker Grill	2



## Angry Birds Boom! Service Manual

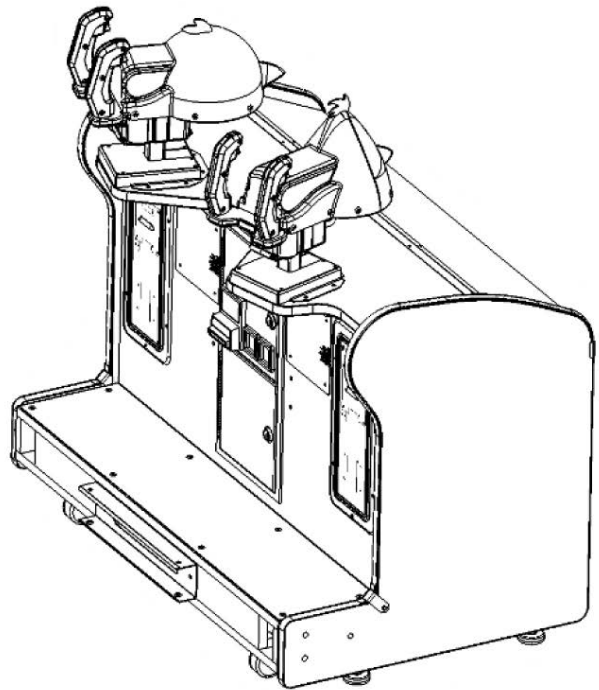
25	Partec – 31-TP008-03-003	Tamper-Resistant Torx Rounded Head Screws for Sheet Metal, Black Oxide Steel, Number 8 Size, ¾” Long	18
26	600-01944-01	Cabinet Seam Plate	1
27	Partec – AS-2565	Mid-Width Coin Door (800-00005-01) Assembly w/ Test Switches and Ticket Meter	1
28	R90-AP-20	Large Round Red IPB (.187 Gold MS, 6V White LED)	1
29	R90-AP-21	Large Round Yellow IPB (.187 Gold MS, 6V White LED)	1
30	600-01912-01	Gun Gusset Bracket R	1
31	600-01913-01	Gun Gusset Bracket L	1
32	McMaster-Carr – 96075A223	Alloy Steel Tamper-Resistant Button Head Torx Screws, ¼”-20 Thread, 1” Long	16
33	McMaster-Carr – 93711A500	Black-Oxide 18-8 Stainless Steel Split Lock Washer for ¼” Socket Head Screws, 0.26” ID, 0.363” OD	18
34	McMaster-Carr – 97416A119	Black-Oxide Steel SAE Washer for ¼” Screw Size, 0.281” ID, 0.625” OD	4
35	AB_Red_Assy	Angry Birds Red Mech	1
36	AB_Chuck_Assy	Angry Birds Chuck Mech	1
37	McMaster-Carr – 92865A548	Medium-Strength Grade 5 Steel Hex Head Screw, Zinc-Plated, ¼”-20 Thread Size, 1-3/4” Long, Fully Threaded	8
38	McMaster-Carr – 91102A750	Zinc-Plated Steel Split Lock Washer for ¼” Screw Size, 0.26” ID, 0.487” OD	8
39	600-01936-01	Mech Plate Rear – Red	1
40	600-01937-01	Mech Plate Front – Red	1
41	600-01486-01	Dash Gun Cover Plate	2
42	R90-13-79	P1 Gun Plate Decal	1
43	R90-13-87	P2 Gun Plate Decal	1
44	McMaster-Carr – 96075A139	Alloy Steel Tamper-Resistant Button Head Torx Screws, 8-32 Thread, ½” Long	12
45	McMaster-Carr – 93711A300	Black-Oxide 18-8 Stainless Steel Split Lock Washer for Number 8 Socket Head Screws, 0.174” ID, 0.267” OD	12
46	600-01458-01	Center Connect Bracket	1
47	McMaster-Carr – 92865A542	Medium-Strength Grade 5 Steel hex Head Screw, Zinc-Plated, ¼”-20 thread size, 1” Long	2
48	600-01992-01	Main Cabinet Tread Plate	1
49	McMaster-Carr – 95638A197	Tamper-Resistant Torx Rounded Head Screws for Sheet Metal, 18-8 Stainless Steel, Number 8 Size, ¾” Long	8
50	R1-1180	Panel Mount Bracket	1
51	600-01936-02	Mech Plate Rear – Yellow	1
52	600-1937-02	Mech Plate Front - Yellow	2

**Red Mech Decals:**

- R90-13-194 - P1 Left Decal
- R90-13-195 - P1 Right Decal
- R90-13-80 - P1 Grip Plate Decal

**Chuck Mech Decals:**

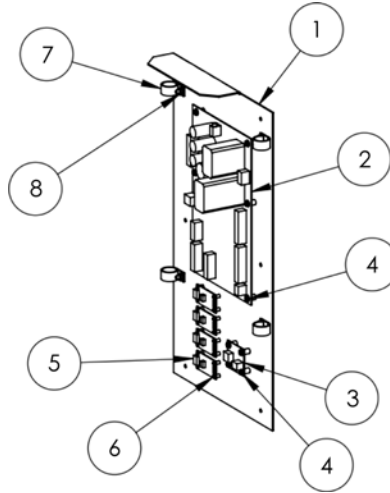
- R90-13-196 - P2 Left Decal
- R90-13-197 - P2 Right Decal
- R90-13-88 - P2 Grip Plate Decal





## Angry Birds Boom! Service Manual

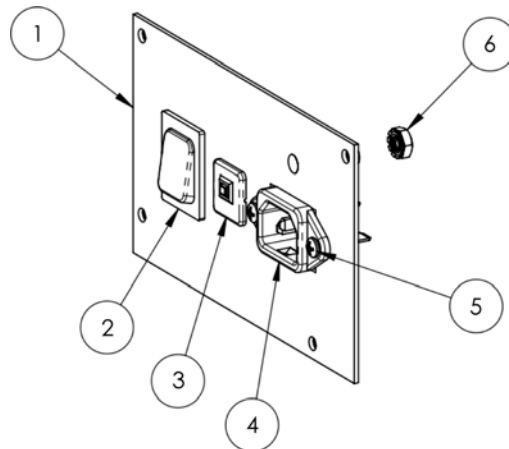
### Angry Birds Boom! – RIO Assembly



#### Angry Birds Boom! – RIO Assembly Part Numbers

Item	Part No.	Description	QTY
1	600-01914-01	RIO Mounting Plate	1
2	500-00040-02	RIO PCB	1
3	500-00194-01	5V, 5A Switching Regulator PCB (12V input)	1
4	McMaster-Carr – 91249A192	Black-Oxide 18-8 Stainless Steel Pan Head Phillips Screws, 8-32 thread, 3/8" Long	10
5	520-00024-01	Aliens/Terminator Deluxe Gun Kickboard	4
6	McMaster-Carr – 90272A106	Steel Pan Head Phillips Screws, 4-40 Thread, 1/4" Long	16
7	AEH – 04-12-750	Wire harness Clip (for 3/4" Bundle Diameter)	4
8	McMaster-Carr – 90675A009	Steel Locknut with External-Tooth Lock Washer, Zinc-Plated, 8-32 Thread Size, 11/32" Wide	4

### Angry Birds Boom! – AC Power Plate Assembly

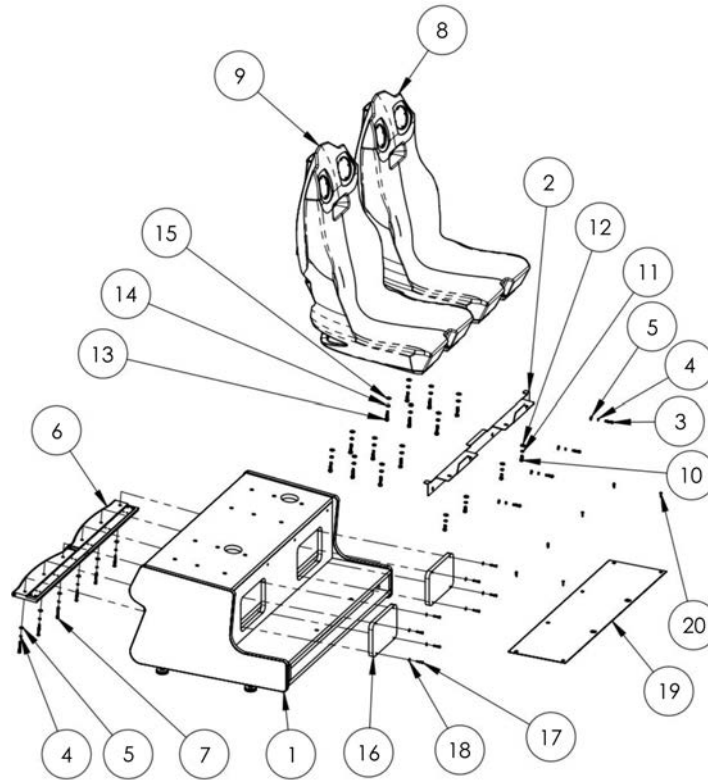


#### Angry Birds Boom! – AC Power Plate Assembly Part Numbers

Item	Part No.	Description	QTY
1	600-01681-01	AC Electronics Plate	1
2	Marquardt – 1832.3312	Rocket Switch (DPST): 250VAC, 16A	1
3	Schurter – T9-611P-6A	Thermal Circuit Breaker: 240VAC, 6A, Snap-in, Fuseholder, 1 Pole	1
4	Qualtek – 703W-00/08	AC Receptacle: 250V, 15A	1
5	McMaster-Carr – 90272A146	Steel Pan Head Phillips Screws, 6-32 Thread, 3/8" Long	2
6	McMaster-Carr – 90675A195	Steel Locknut with External-Tooth Lock Washer, Zinc-Plated, 10-32 Thread Size	1

## Angry Birds Boom! Service Manual

### Angry Birds Boom! – Pedestal Cabinet Assembly



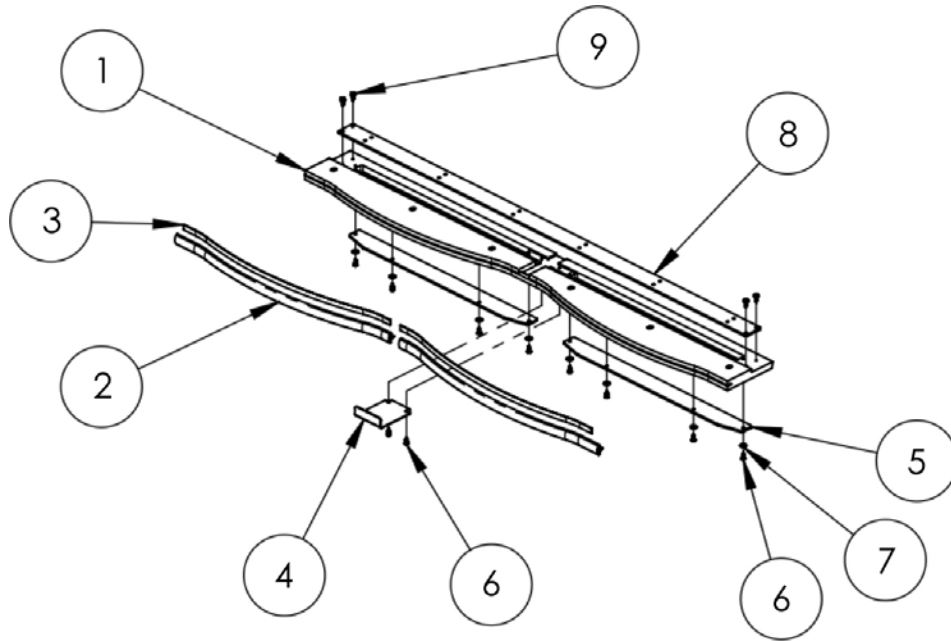
#### Angry Birds Boom! – Pedestal Cabinet Assembly Part Numbers

Item	Part No.	Description	QTY
1	R90-23-37	Seat Cabinet	1
2	600-01915-01	Seat Mount Bracket	1
3	Partec – 31-TP250-03-001	Black Oxide Steel Tamper-Resistant Button Head Torx Screws, ¼”-20 Thread Size, 1-1/4” Long	4
4	McMaster-Carr – 93711A500	Black-Oxide 18-8 Stainless Steel Split Lock Washer for ¼” Socket Head Screws, 0.26” ID, 0.363” OD	10
5	McMaster-Carr – 97416A119	Steel SAE Washer for ¼” screw size, 0.281” ID, 0.625” OD	10
6	AB_Rear_Seat_LED_Cap_Assy	Rear Seat LED Cap Assembly	1
7	Partec – 31-TP250-03-004	Alloy Steel Tamper-Resistant Button Head Torx Screws, ¼”-20 Thread, 2” Long	6
8	AB_Seat_Assy_P1	Player 1 Seat Assembly (Red)	1
9	AB_Seat_Assy_P2	Player 2 Seat Assembly (Yellow)	1
10	McMaster-Carr – 92965A581	Black-Oxide Grade 5 Steel Hex Head Screws, Medium-Strength, 5/16”-18 thread size, ¾” Long	4
11	McMaster-Carr – 93711A600	Black-Oxide 18-8 Stainless Steel Split Lock Washer for 5/16” Socket Head Screws, 0.322” ID, 0.457” OD	4
12	McMaster-Carr – 96754A145	Black-Oxide 18-8 Stainless Steel Washer for 5/16” Screw Size, 0.344” ID, 0.75” OD	4
13	McMaster-Carr – 92865A587	Medium-Strength Grade 5 Steel Hex Head Screw, Zinc-Plated, 5/16”-18 Thread Size, 1-1/2” Long, Fully Threaded	12
14	McMaster-Carr – 91102A755	Zinc-Plated Steel Split Lock Washer for 5/16” Screw Size, 0.322” ID, 0.583” OD	12
15	McMaster-Carr – 92141A030	18-8 Stainless Steel Washer for 5/16” Screw Size, 0.344” ID, 0.75” OD	12
16	601-00783-01	Seat Access Panel	2
17	Partec – 31-TP008-03-002	Tamper-Resistant Torx Rounded Head Screws for Sheet Metal, Black Oxide Steel, Number 8 size, 1-1/4” Long	8
18	McMaster-Carr – 97416A113	Black-Oxide Steel SAE Washer for Number 8 Screw Size, 0.188” ID, 0.438” OD	8
19	600-01993-01	Seat Cabinet Tread Plate	1
20	McMaster-Carr – 95638A197	Tamper-Resistant Torx Rounded Head Screws for Sheet Metal, 18-8 Stainless Steel, Number 8 Size, ¾” Long	6
*	R90-13-60	Seat Cabinet Decal – Upper Rear	1
*	R90-13-61	Seat Cabinet Decal – Left	1
*	R90-13-62	Seat Cabinet Decal – Right	1
*	R90-13-63	Seat Cabinet Decal – Lower Rear	1

\*Not Shown

## Angry Birds Boom! Service Manual

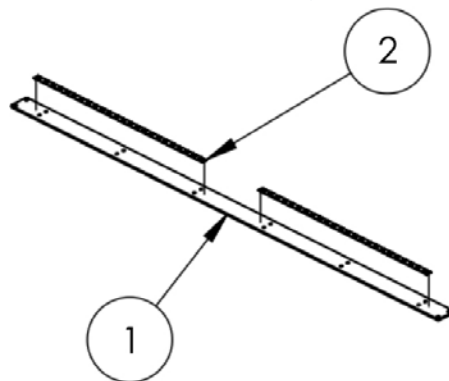
### Angry Birds Boom! – Rear Seat LED Cap Assembly



### Angry Birds Boom! – Rear Seat LED Cap Assembly Part Numbers

Item	Part No.	Description	QTY
1	601-00782-01	LED Cap Panel	1
2	603-00718-01 (20.5in)	LED T-Molding Extrusion – 20.5"	2
3	Partec – CA-4514	LED Cap T-Molding Cable (500-00131-01: 2x 50cm)	1
4	600-01744-01	LED Cap Bracket	1
5	603-00805-01	LED Cap Lens	2
6	Partec – 31-TP008-03-010	Tamper-Resistant Torx Rounded Head Screws for Sheet Metal, Black Oxide Steel, Number 8 Size, ½" Long	10
7	McMaster-Carr – 97416A113	Black-Oxide Steel SAE Washer for Number 8 Screw Size, 0.188" ID, 0.438" OD	8
8	AB_Rear_Seat_LED_Assy	Rear Seat LED Assembly	1
9	McMaster-Carr – 90054A194	Flanged Hex Head Screws for Sheet Metal, Zinc-Plated Steel, Number 8 Size, ½" Long	4

### Angry Birds Boom! – Rear Seat LED Assembly

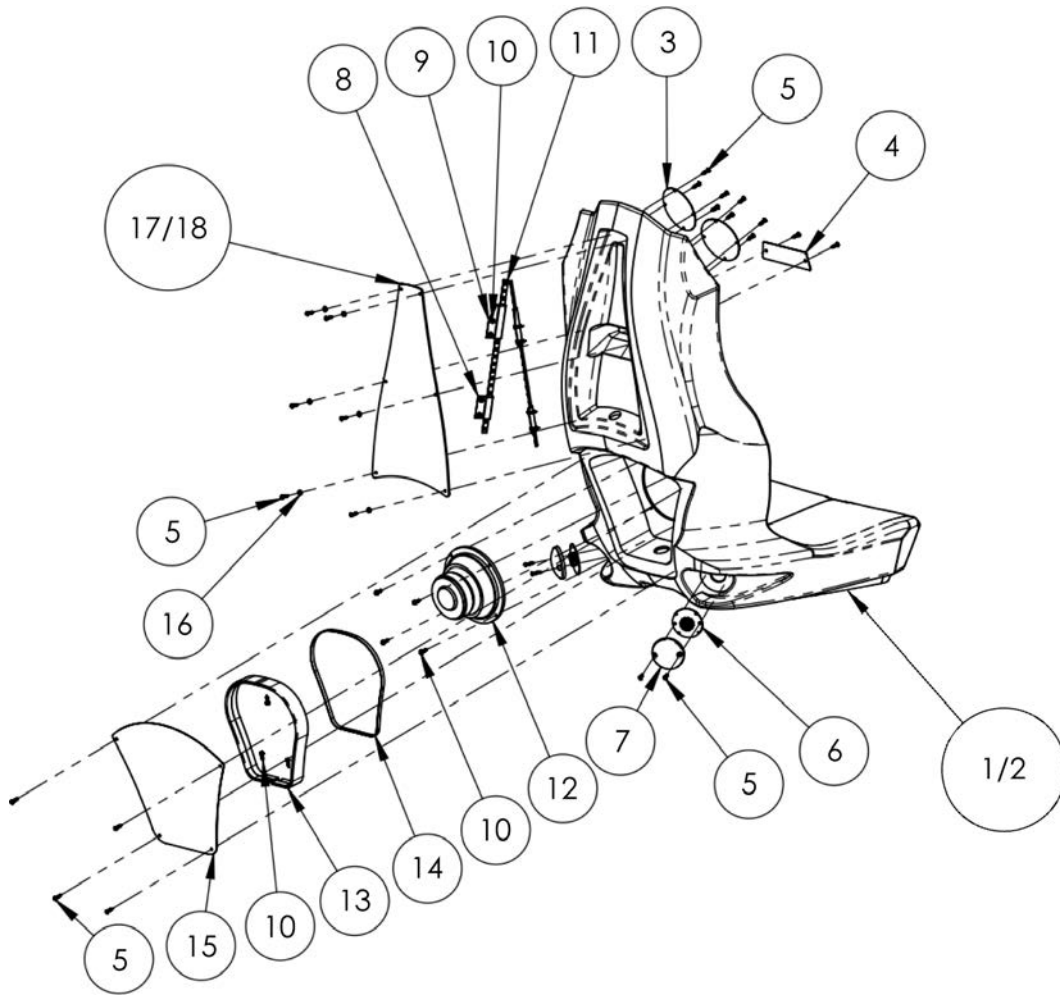


### Angry Birds Boom! – Rear Seat LED Assembly Part Numbers

Item	Part No.	Description	QTY
1	603-00806-01	LED Cap Back	1
2	Partec – CA-4515	LED Cap Down Lighting Cable (500-00162-01: 2x 40cm)	1

## Angry Birds Boom! Service Manual

### Angry Birds Boom! – Seat Assembly

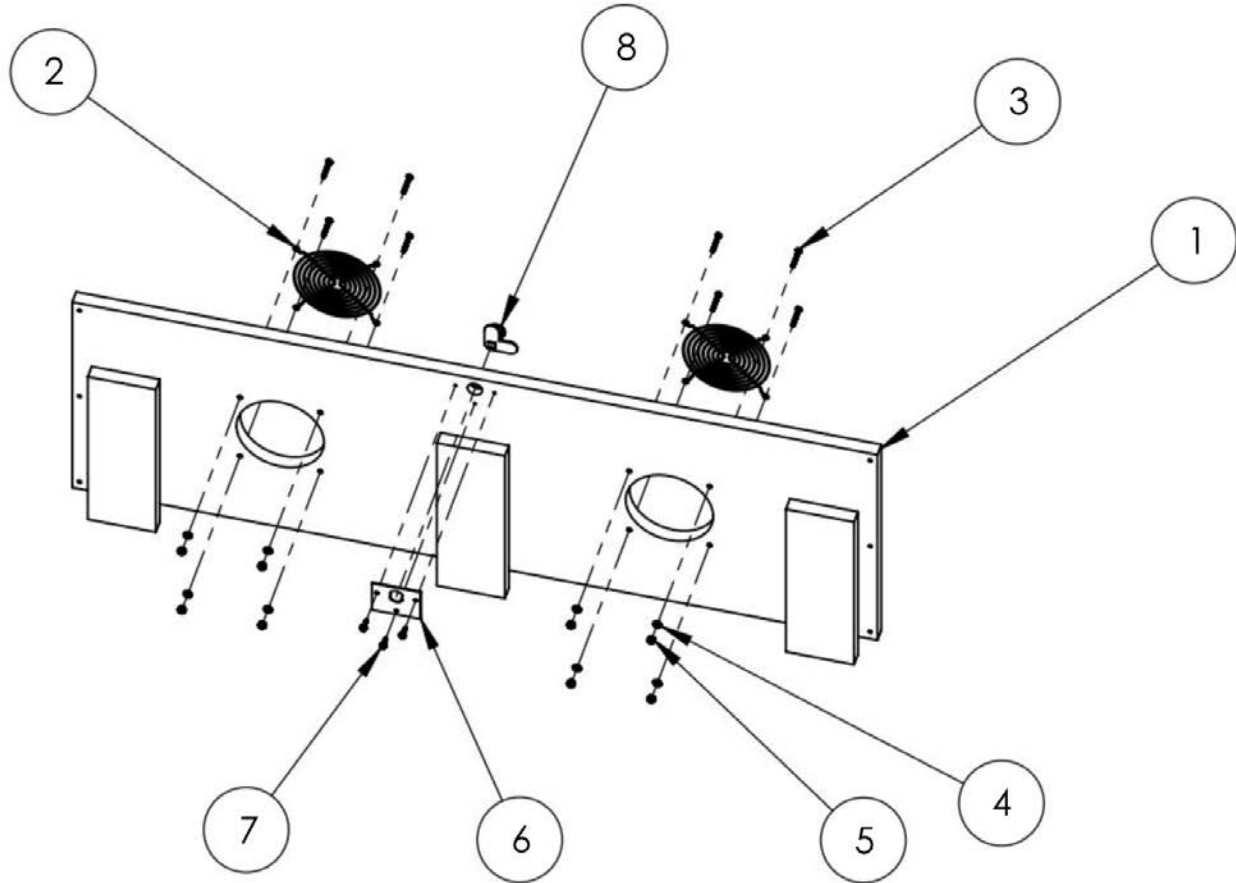


### Angry Birds Boom! – Seat Assembly Part Numbers

Item	Part No.	Description	QTY
1 OR 2	603-00523-01 OR 603-01080-01-YEL	Red Plastic Seat OR Yellow Plastic Seat	1
3	600-00105-01	Seat headrest Grill	2
4	600-00620-01	Middle Seat Plate	1
5	Partec – 31-TP008-03-003	Tamper-Resistant Torx Rounded Head Screws for Sheet Metal, Black Oxide Steel, Number 8 Size, 3/4" Long	24
6	500-00065-01	Red LED Puck Light w/ Black PCB	2
7	603-00540-01	LED Spotlight Lens – Red Tint	2
8	603-00762-01 (2in)	LED Strip Holder Extrusion – 2"	2
9	603-00762-01 (3in)	LED Strip Holder Extrusion – 3"	1
10	McMaster-Carr – 90054A196	Flanged Hex Head Screws for Sheet Metal, Zinc-Plated Steel, Number 8 Size, 5/8" Long	15
11	Partec- CA-4455	Seatback LED Cable (500-00093-01: 2x 35cm)	1
12	807-00003-00	6.5" Speaker, 4 Ohm	1
13	603-00762-01 (28in)	LED Strip Holder Extrusion – 28"	1
14	Partec – CA-4510	Seatback Woofer LED Cable (500-00219-01: 1x 70cm)	1
15	600-00106-01	Woofer Grill	1
16	McMaster-Carr – 90133A013	Oil-Resistant Neoprene Rubber Sealing Washer for Number 10 Screw Size, 0.17" ID, 0.375" OD	6
17 OR 18	R90-13-77 OR R90-13-78	Seat Marquee PETG – Player 1 OR Seat Marquee PETG – Player 2	1

## Angry Birds Boom! Service Manual

### Angry Birds Boom! – Back Door Assembly

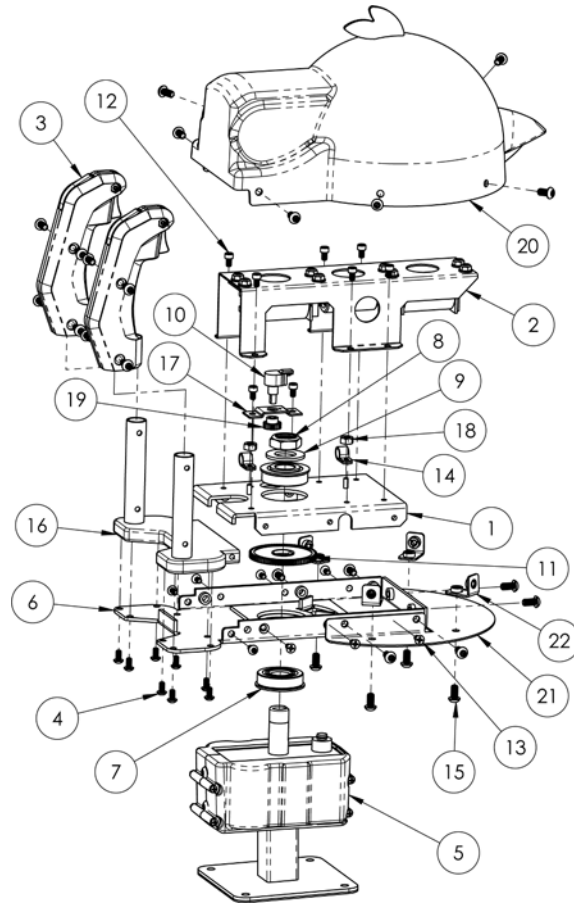


### Angry Birds Boom! – Back Door Assembly Part Numbers

Item	Part No.	Description	QTY
1	601-00780-01	Back Door	1
2	800-00001-00	120mm Wire Fan Guard	2
3	Partec – 31-MS008-01-009	Zinc Plated Steel Pan Head Phillips Screw, 8-32 Thread, 1-1/8" Long	8
4	McMaster-Carr – 90126A512	Zinc-Plated Steel SAE Washer for Number 8 Screw Size, 0.188" ID, 0.438" OD	8
5	McMaster-Carr – 90631A009	Low-Strength Steel Nylon-Insert Locknut, Zinc-plated, 8-32 Thread	8
6	600-00043-01	Lock Retainer Plate	1
7	McMaster-Carr – 90054A196	Flanged Hex Head Screws for Sheet Metal, Zinc-Plated Steel, Number 8 Size, 5/8" Long	3
8	150-00001-00	Standard Door Lock Assembly (for 3/4" Panels)	1

## Angry Birds Boom! Service Manual

### Angry Birds Boom! – Red Top Assembly



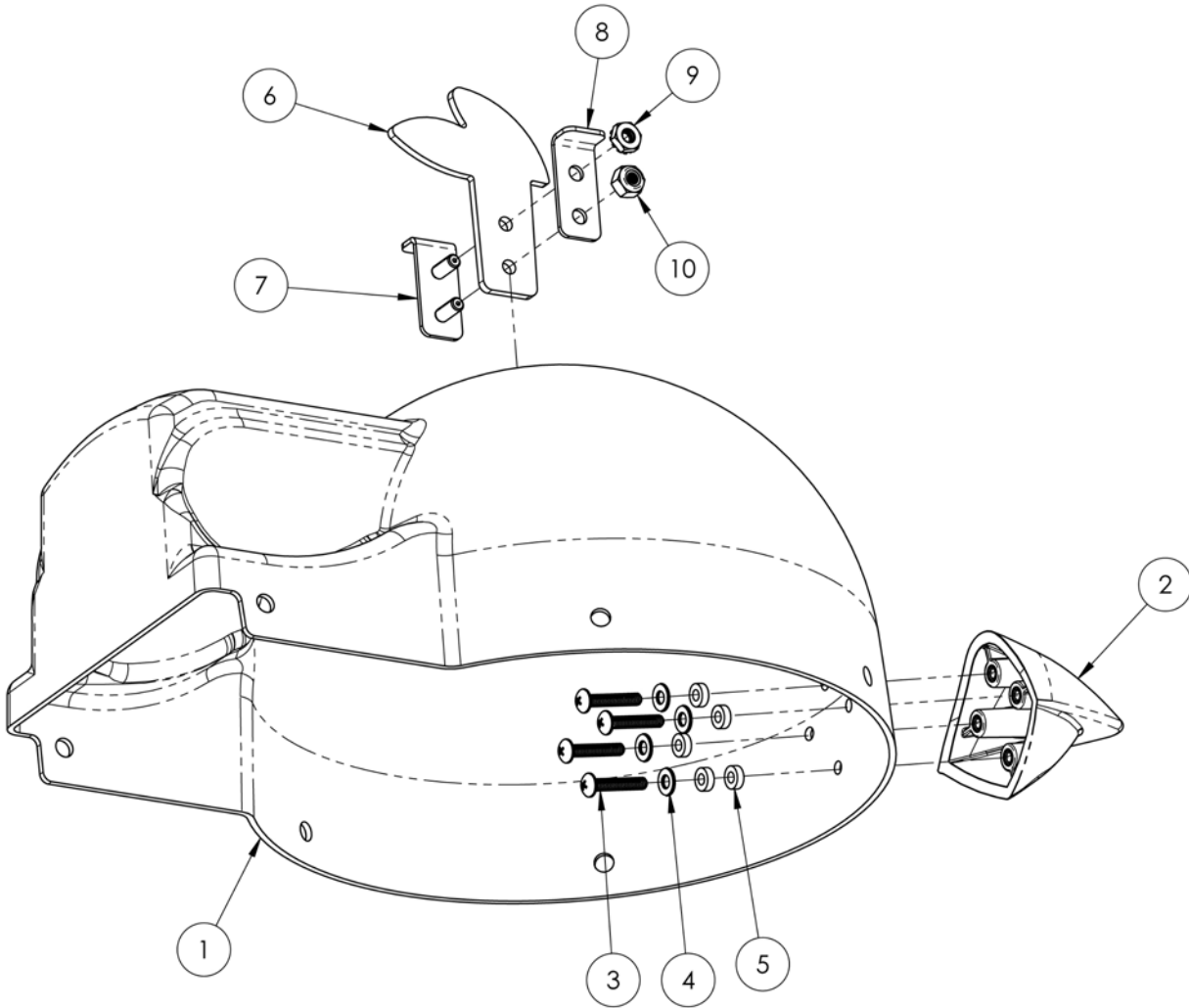
#### Angry Birds Boom! – Red Top Assembly Part Numbers

Item	Part No.	Description	QTY
1	600-01422-01	Pin Plate Bracket	1
2	Shaker_Assy	Shaker Assembly	1
3	Grip_Assy	Grip Assembly	2
4	McMaster-Carr – 96075A183	Black-Oxide Alloy Steel Tamper-Resistant Button Head Torx Screw, 10-32 Thread Size, 3/8" Long	10
5	Lower_Mech_Assy	Lower Mech Assembly	1
6	600-01423-01	Cover Bracket	1
7	McMaster-Carr – 6384K369	3/4" Flanged Bearing	2
8	McMaster-Carr – 91342A240	3/4"-16 Locknut, Thin	1
9	McMaster-Carr – 90126A036	Washer for 3/4" Screw	1
10	604-00064-01	JackPot, 360° Potentiometer	1
11	600-01420-01	Large Gear	1
12	McMaster-Carr – 91251A338	Black-Oxide Alloy Steel Socket Head Screw, 8-32 Thread Size, 5/16" Long	8
13	McMaster-Carr – 90273A827	Flat Head Screw, 10-32 Thread Size, 3/8" Long 82°	6
14	Partec – 4-102	1/2" Cable Clamp	2
15	McMaster-Carr – 96075A211	Black-Oxide Alloy Steel Tamper Resistant Button Head Torx Screw, 1/4"-20 thread size, 1/2" Long	24
16	600-01411-01	Grip Plate Weldment	1
17	600-01491-01	Potentiometer Bracket	1
18	McMaster-Carr – 90675A009	8/32" Keps Nut	2
19	600-01567-01	Small Potentiometer Gear	1
20	Red_Cover_Assy	Red Cover Assembly	1
21	R1-1083	Red underside bracket	1
22	R1-1085	Red L bracket	4



## Angry Birds Boom! Service Manual

### Angry Birds Boom! – Red Cover Assembly



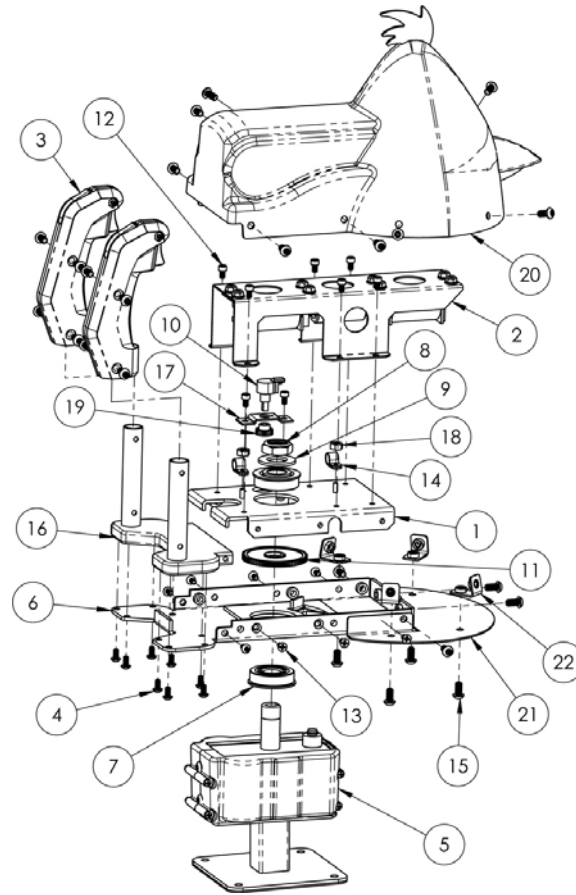
### Angry Birds Boom! – Red Cover Assembly Part Numbers

Item	Part No.	Description	QTY
1	R90-4-22	Red Body	1
2	R90-4-24	Red Beak	1
3	McMaster-Carr – 90272A198	Steel Phillips Screw, 8-32 Thread Size, 7/8" Long	4
4	McMaster-Carr – 92141A009	Washer for Number 8 Screw	4
5	McMaster-Carr – 99604A103	Silicone Rubber Sealing Washer for Number 8 Screw	5
6	R90-7-3	Red Hair	1
7	R1-1087	Hair stopper bracket	1
8	R1-1202	Hair stopper bracket, no studs	1
9	McMaster-Carr – 90675A195	10-32 Keps nut	1
10	McMaster-Carr – 90631A411	10-32 Locknut	1

\*Not shown: ¼" Thick x ½" Wide Closed Cell Foam Tape (MM-C – 3949N146)

## Angry Birds Boom! Service Manual

### Angry Birds Boom! – Chuck Top Assembly

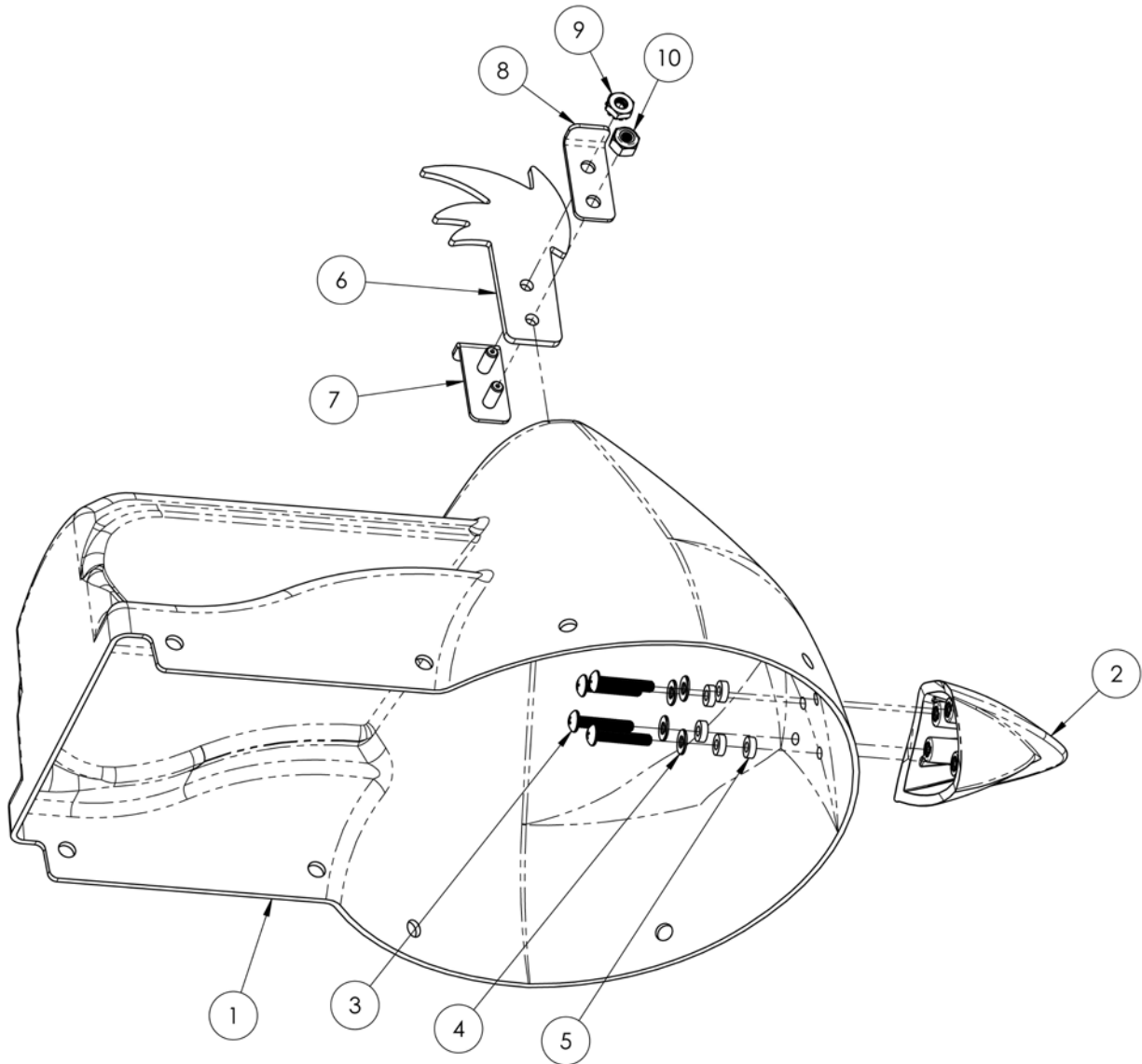


#### Angry Birds Boom! – Chuck Top Assembly Part Numbers

Item	Part No.	Description	QTY
1	600-01422-01	Pin Plate Bracket	1
2	Shaker_Assy	Shaker Assembly	1
3	Grip_Assy	Grip Assembly	2
4	McMaster-Carr – 96075A183	Black-Oxide Alloy Steel Tamper-Resistant Button Head Torx Screw, 10-32 Thread Size, 3/8" Long	10
5	Lower_Mech_Assy	Lower Mech Assembly	1
6	600-01423-01	Cover Bracket	1
7	McMaster-Carr – 6384K369	3/4" Flanged Bearing	2
8	McMaster-Carr – 91342A240	3/4"-16 Locknut, Thin	1
9	McMaster-Carr – 90126A036	Washer for 3/4" Screw	1
10	604-00064-01	JackPot, 360° Potentiometer	1
11	600-01420-01	Large Gear	1
12	McMaster-Carr – 91251A338	Black-Oxide Alloy Steel Socket Head Screw, 8-32 Thread Size, 5/16" Long	8
13	McMaster-Carr – 90273A827	Flat Head Screw, 10-32 Thread Size, 3/8" Long 82°	6
14	Partec – 4-102	1/2" Cable Clamp	2
15	McMaster-Carr – 96075A211	Black-Oxide Alloy Steel Tamper Resistant Button Head Torx Screw, 1/4"-20 thread size, 1/2" Long	24
16	600-01411-01	Grip Plate Weldment	1
17	600-01491-01	Potentiometer Bracket	1
18	McMaster-Carr – 90675A009	8/32" Keps Nut	2
19	600-01567-01	Small Potentiometer Gear	1
20	Chuck_Cover_Assy	Chuck Cover Assembly	1
21	R1-1084	Chuck underside bracket	1
22	R1-1086	Chuck L bracket	4

## Angry Birds Boom! Service Manual

### Angry Birds Boom! – Chuck Cover Assembly



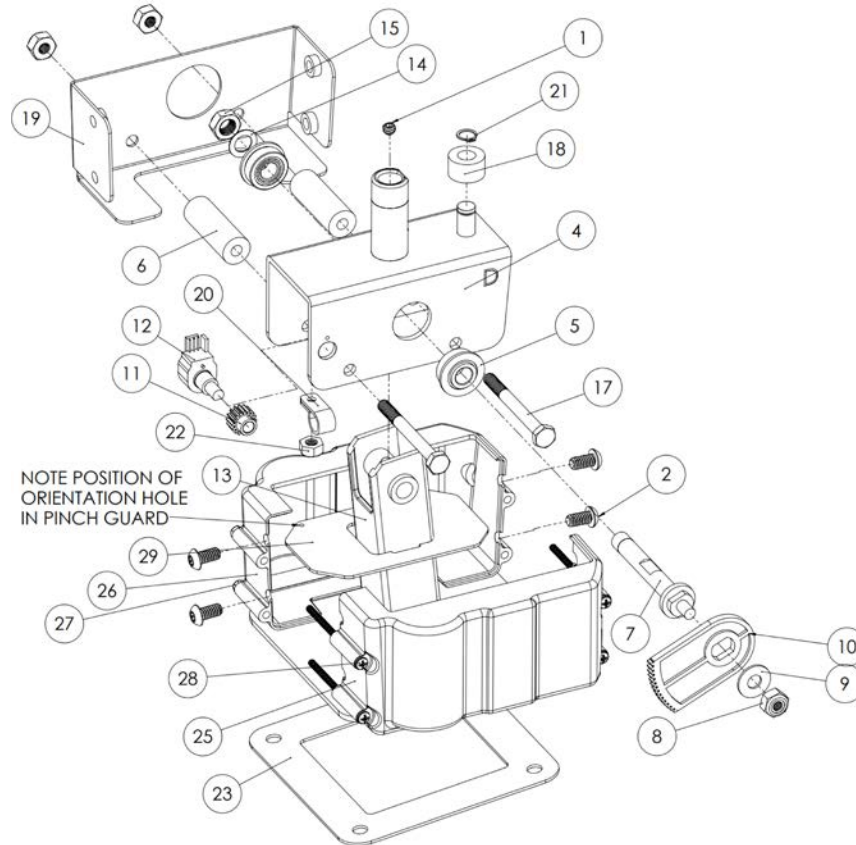
#### Angry Birds Boom! – Chuck Cover Assembly Part Numbers

Item	Part No.	Description	QTY
1	R90-4-23	Chuck Body	1
2	R90-4-25	Chuck Beak	1
3	McMaster-Carr – 90272A198	Steel Phillips Screw, 8-32 Thread Size, 7/8" Long	4
4	McMaster-Carr – 92141A009	Washer for Number 8 Screw	4
5	McMaster-Carr – 99604A103	Silicone Rubber Sealing Washer for Number 8 Screw	5
6	R90-7-4	Chuck Hair	1
7	R1-1087	Hair stopper bracket	1
8	R1-1202	Hair stopper bracket, no studs	1
9	McMaster-Carr – 90675A195	10-32 Keps nut	1
10	McMaster-Carr – 90631A411	10-32 Locknut	1

\*Not shown: ¼" Thick x ½" Wide Closed Cell Foam Tape (MM-C – 3949N146)

## Angry Birds Boom! Service Manual

### Angry Birds Boom! – Lower Mech Assembly



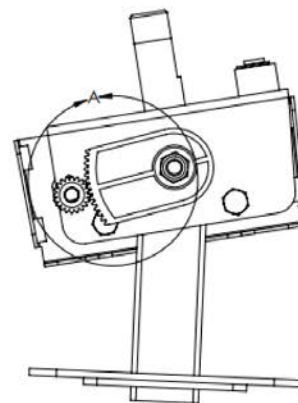
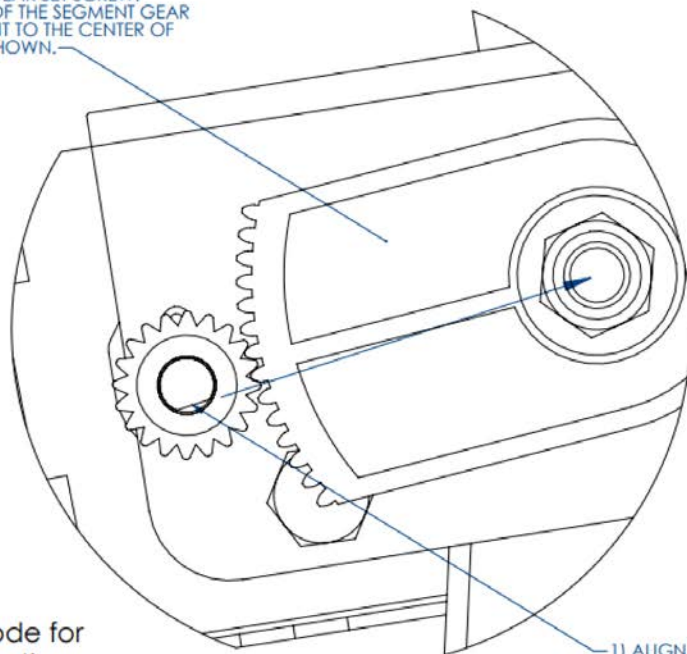
### Angry Birds Boom! – Lower Mech Assembly Part Numbers

Item	Part No.	Description	QTY
1	McMaster-Carr – 92313A532	1/4-20 x 3/16" set screw	1
2	McMaster-Carr – 96075A211	1/4-20 x 1/2" black tamper-proof screw	4
4	600-01425-01	Rocker Bracket	1
5	McMaster-Carr – 6384K344	3/8" Flanged Bearing	2
6	600-01418-01	Tube Stop Bumper – 5/8" OD	2
7	600-01424-01	Side Pin	1
8	McMaster-Carr – 90652A029	1/4-20 Thin Locknut	3
9	McMaster-Carr – 90108A413	1/4-20 Washer	1
10	Happ – 96-4907-00	Segment Gear	1
11	600-01567-01	Pot Gear	1
12	604-00064-01	Jackpot, 360° potentiometer	1
13	600-01426-01	Lower Tube Weldment	1
14	McMaster-Carr – 95229A480	3/8" Washer	1
15	McMaster-Carr – 90566A220	3/8" Thin Locknut	1
17	McMaster-Carr – 91257A552	1/4-20 x 2 1/2 hex head – grade 8	2
18	600-01417-01	Short Stop Bumper – 3/4" OD	1
19	600-01496-01	Lower Vacuum Mounting Bracket	1
20		Cable Clamp	1
21	McMaster-Carr – 947633A170	Retaining Clip	1
22	McMaster-Carr – 90675A009	8/32" Keps Nut	1
23	600-01577-01	Gun Isolator	1
25	600-01739-01	Bottom Cover - Right	1
26	600-01738-01	Bottom Cover - Left	1
27	999-00021-01	6-32 Hex Locknut - Black	4
28	999-00017-01	6-32 x 2.5" Phillips Head Screw - Black	4
29	600-01419-01	Pinch Cover	1

## Angry Birds Boom! Service Manual

### Angry Birds Boom! – Up and Down Pot Alignment

2) INSTALL SEGMENT GEAR AFTER POT IS ALIGNED FOR EASIER ACCESS TO GEAR SET SCREW. THE CENTER OF THE SEGMENT GEAR SHOULD POINT TO THE CENTER OF THE POT AS SHOWN.



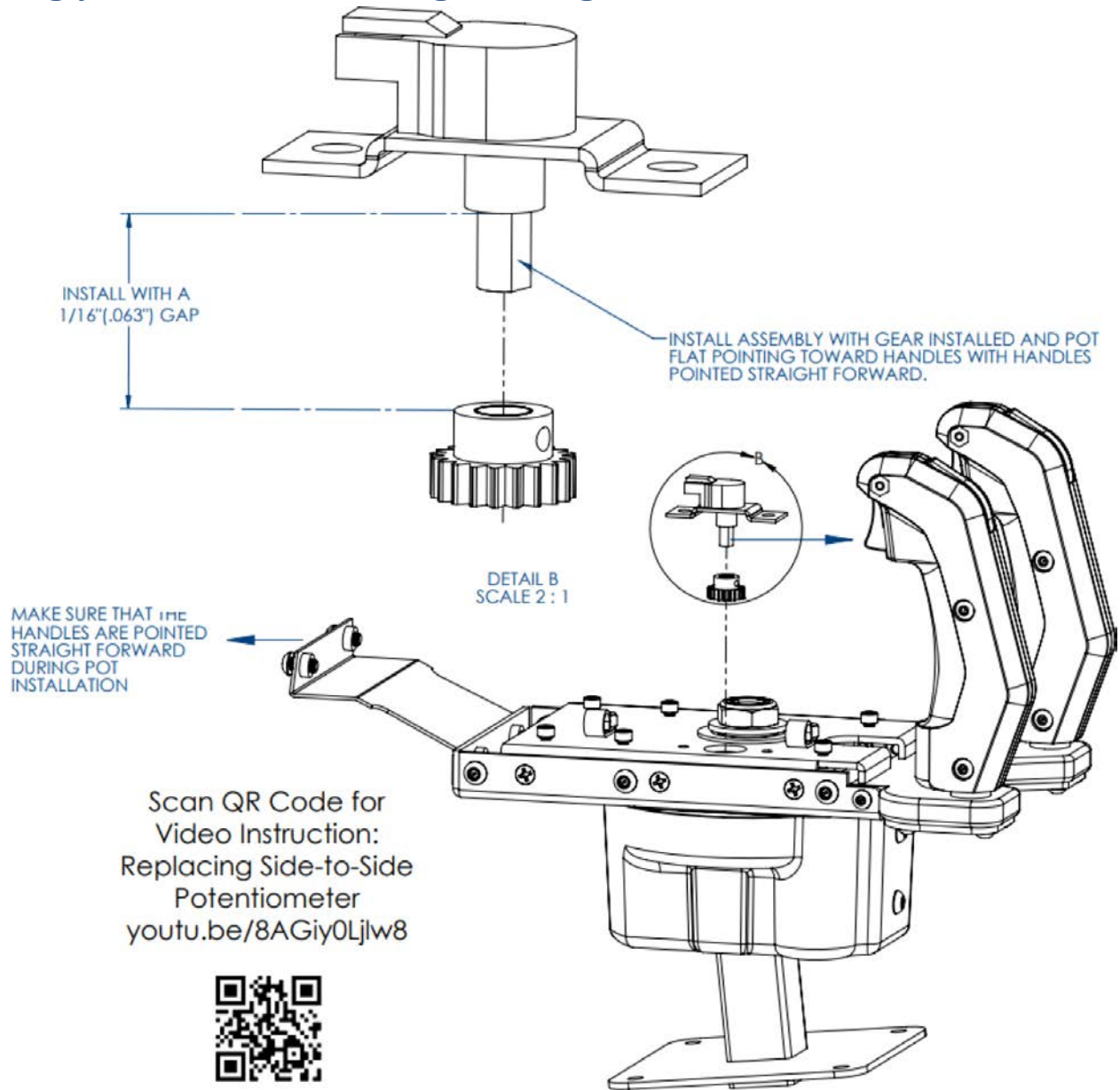
1) ALIGN FLAT ON POT DOWNWARD AND POINTING TOWARD CENTER OF SEGMENT GEAR

Scan QR Code for  
Video Instruction:  
Replacing Up/Down  
Potentiometer  
[youtu.be/eO9afzAdQGw](https://youtu.be/eO9afzAdQGw)



## Angry Birds Boom! Service Manual

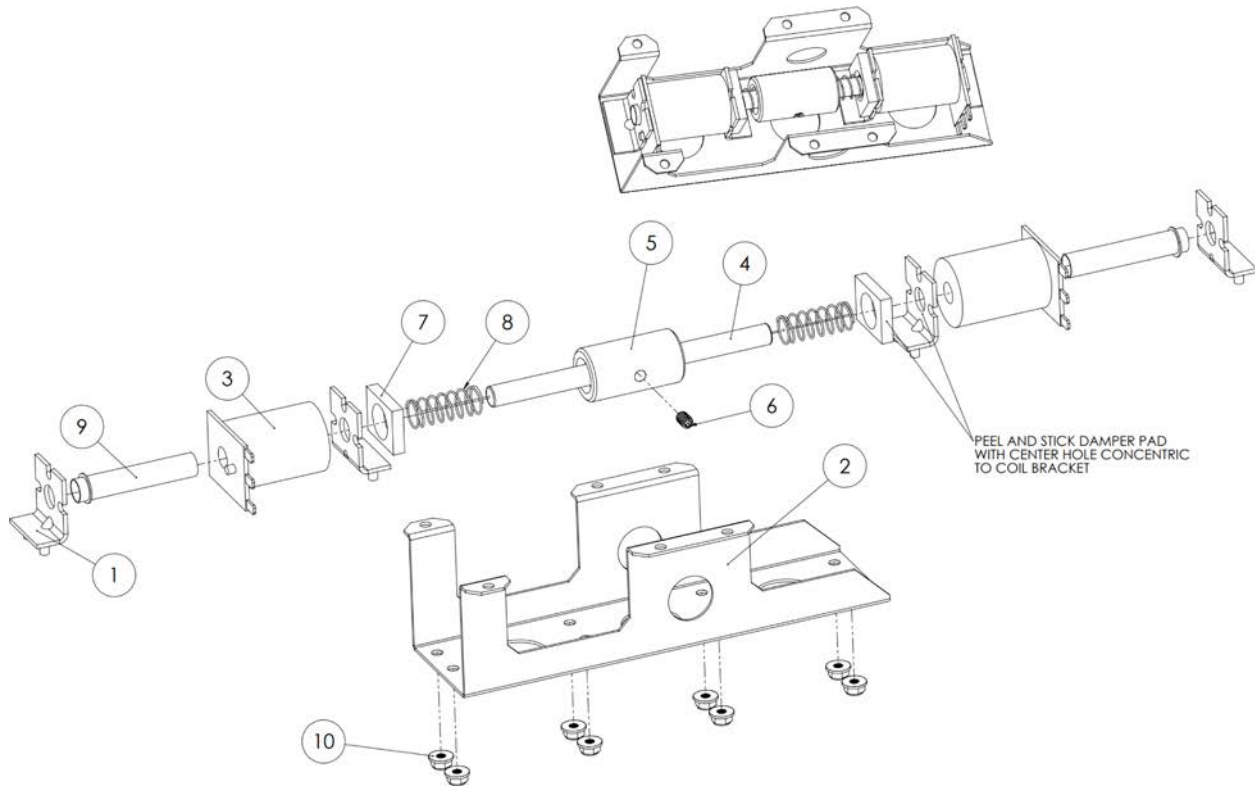
### Angry Birds Boom! - Left to Right Pot Alignment





## Angry Birds Boom! Service Manual

### Angry Birds Boom! – Shaker Assembly

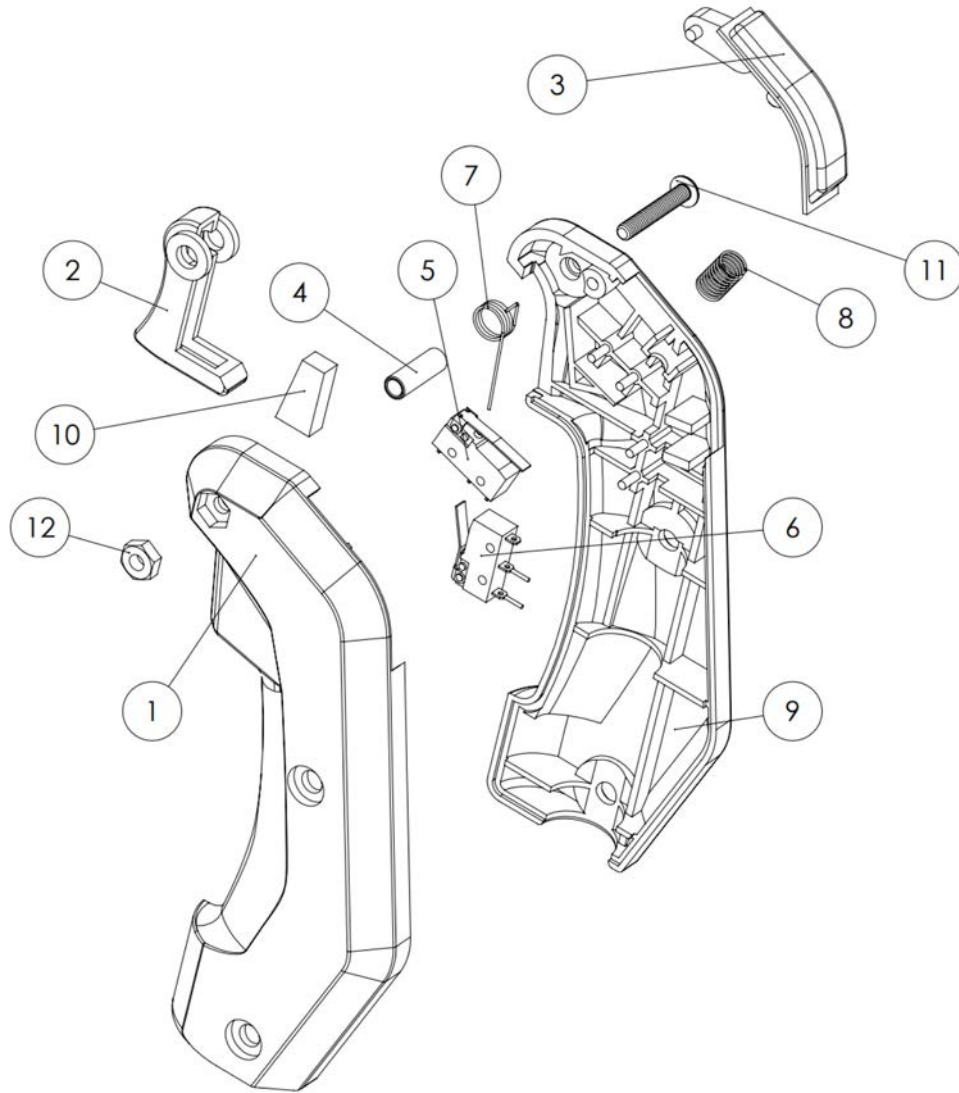


### Angry Birds Boom! – Shaker Assembly Part Numbers

Item	Part No.	Description	QTY
1	600-01576-01	Coil Mount Bracket	4
2	600-01412-01	Coil Bracket	1
3	608-00216-01	Coil FL11629	2
4	600-01413-01	Coil Rod	1
5	600-01414-01	Coil Weight	1
6	McMaster-Carr – 91375A535	1/4-20 x 3/8" Set Screw	1
7	680-00214-01	Blue Damper Pad	2
8	608-00210-01	Coil Spring	2
9	608-00218-01	Coil Sleeve	2
10	McMaster-Carr – 93298A109	10-32 Flanged Locknut	8

## Angry Birds Boom! Service Manual

### Angry Birds Boom! – Grip Assembly



### Angry Birds Boom! – Grip Assembly Part Numbers

Item	Part No.	Happ Number	Description	QTY
1	608-00201-01	95-1294-00	Grip – Left Half	1
2	608-00204-01	95-1295-00	Trigger – Red	1
3	608-00203-01	95-1439-00	Large Thumb Button	1
4	608-00205-01	95-1315-00	Shaft – Trigger	1
5	608-00215-01	95-0259-ST	Switch Assy for Thumb Switch	1
6	608-00220-01	95-0028-00	Switch Assy for Trigger	1
7	608-00206-01	95-1297-00	Spring – Torsion	1
8	608-00207-01	95-1298-00	Spring – Compression	1
9	608-00202-01	95-1293-00	Grip – Right Half	1
10	608-00218-01	96-0110-00	Trigger Bumper	1
11	McMaster-Carr – 96075A147	43-0378-00	Screw #8-32 x 1 Tamper-proof black	1
12	McMaster-Carr – 86537A140	43-1124-00	Hex Nut #8-32 Black	1

## Angry Birds Boom! Service Manual

### Contact Information

---

For an authorized distributor near you, visit Raw Thrills at <http://www.rawthrills.com/sales-service>

For service, contact your local distributor or your local Betson office for sales, technical information, warranty or repair. Betson can be reached at (800) 524-2343 Fax (201) 438-4837 [www.betson.com](http://www.betson.com)

#### **Betson Enterprises Headquarters**

303 Paterson Plank Rd.

Carlstadt, NJ 07072

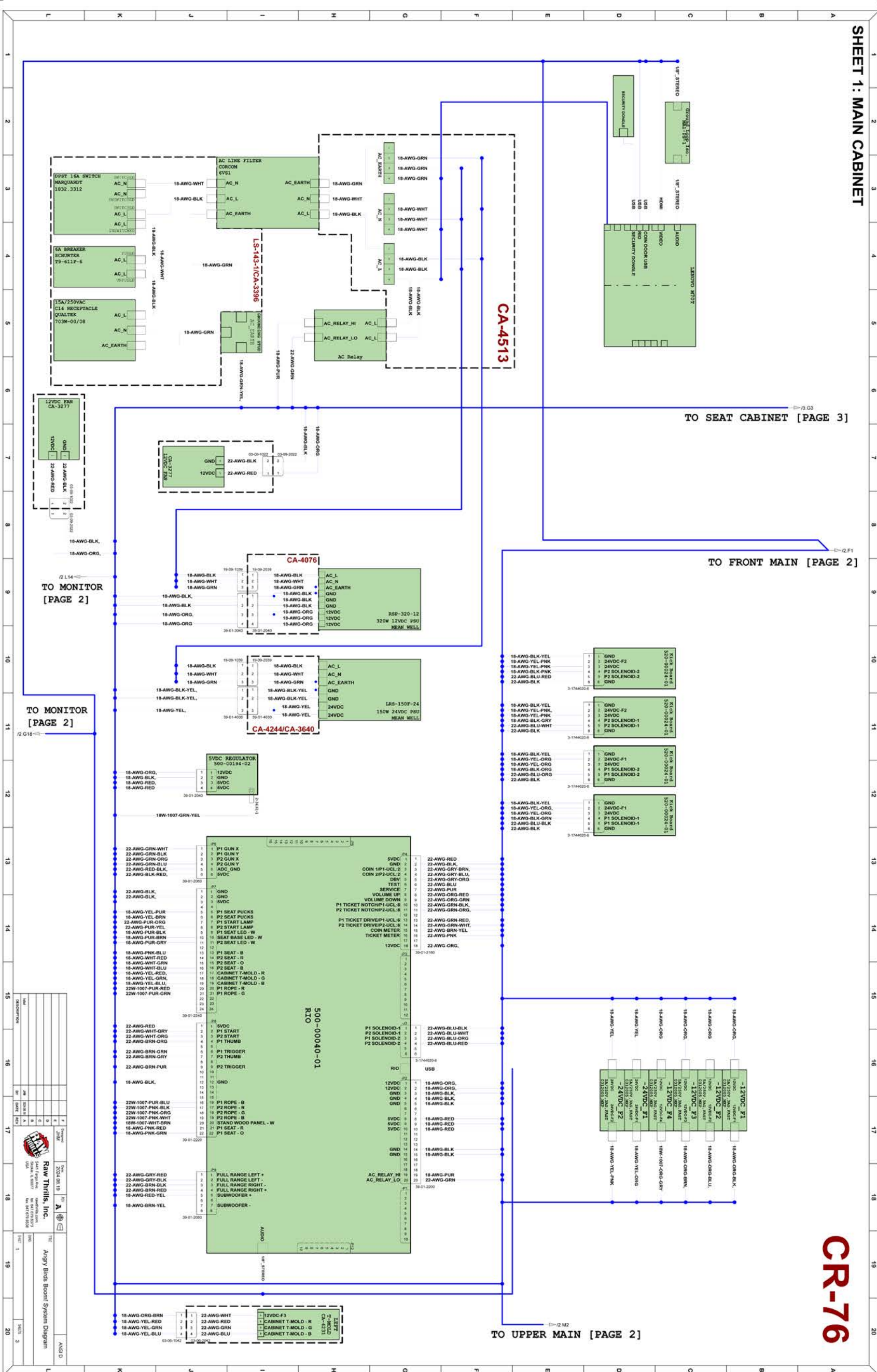
(800) 524-2343 or (201) 438-1300

fax (201) 438-4837

### System Diagrams

---

SHEET 1: MAIN CABINET



CR-76



