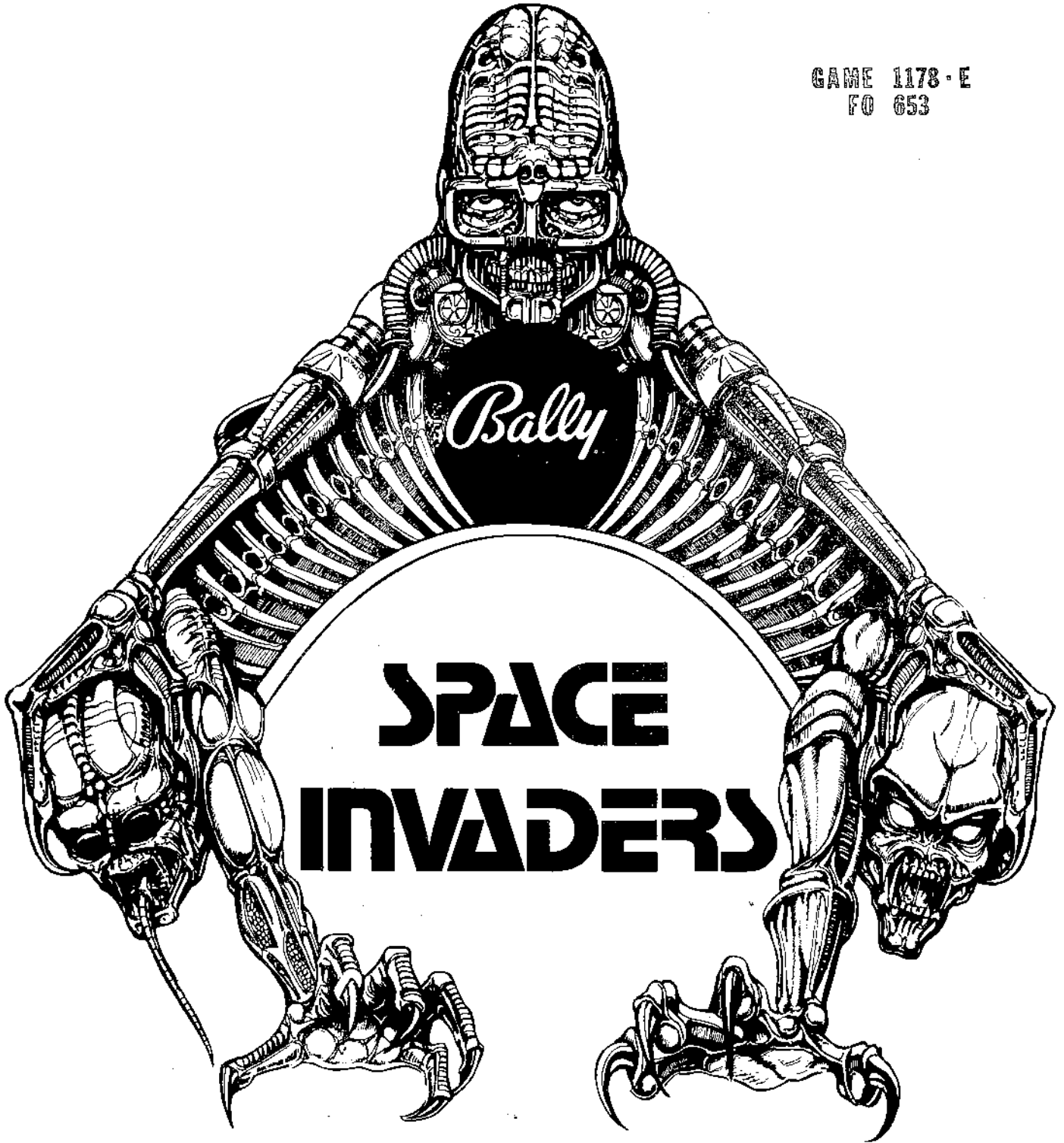


GAME 1178-E  
FO 653



*Bally*

© BALLY MFG. CORP. 1980  
ALL RIGHTS RESERVED

PINBALL DIVISION

90 O'Leary Drive, Bensenville, Illinois 60106, U.S.A.  
Telephone: (312) 860-6400



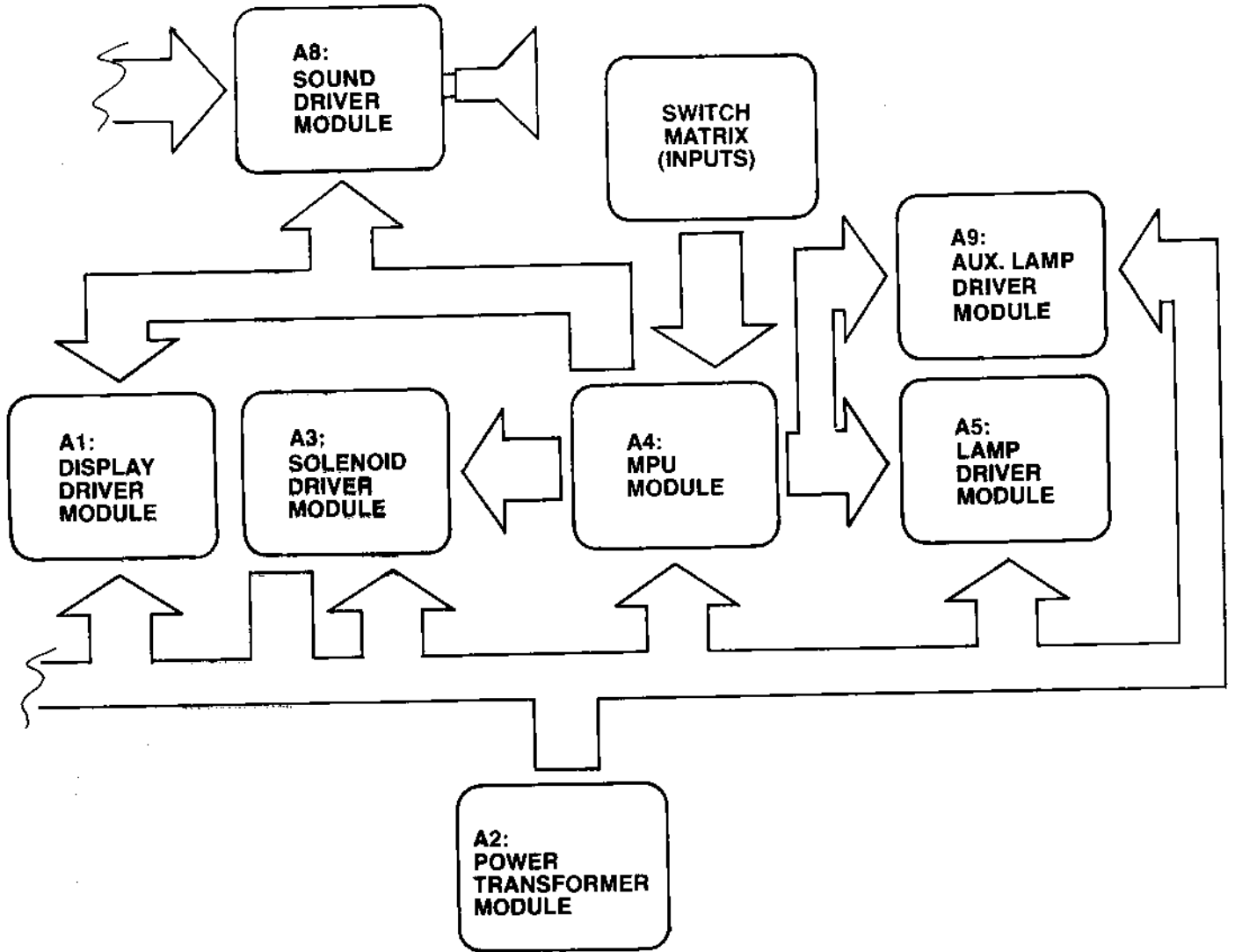
# GAME #1178 SPACE INVADERS

## Installation and General Game Operation Instructions

### INDEX

	PAGE
I. INSTALLATION .....	1
II. GENERAL GAME OPERATION .....	2
III. BOOKKEEPING FUNCTIONS .....	3
IV. FEATURE OPERATION AND SCORING .....	4
V. GAME ADJUSTMENTS .....	5
A. PLAYFIELD ADJUSTMENTS .....	5
B. BACKBOX ADJUSTMENTS .....	5
CREDITS/COIN .....	5
MAXIMUM CREDITS .....	6
BALLS/GAME .....	6
MATCH FEATURE OPTION .....	6
CREDIT DISPLAY .....	6
HIGH SCORE FEATURE OPTION .....	6
HIGH SCORE TO DATE .....	6
GAME FEATURE OPTIONS .....	7
SOUND OPTION .....	7
C. FRONT DOOR GAME ADJUSTMENTS	
HIGH SCORE FEATURE .....	8
HIGH SCORE TO DATE FEATURE .....	8
VI. RECOMMENDED SCORE CARDS .....	11
VII. RECOMMENDED SETTINGS .....	12
VIII. ROUTINE MAINTENANCE ON LOCATION .....	13
IX. TROUBLE SHOOTING ON LOCATION .....	13
X. SERVICE/PARTS .....	19
XI. PARTS LIST .....	20-31

# BLOCK DIAGRAM—ELECTRONIC PINBALL GAME



## I. INSTALLATION

### Assemble the game as follows:

Bolt legs to cabinet. Bolt back box to cabinet. Use flat washers under bolt heads. Gently feed cable connectors and ground braid through cable port in back box. Screw ground braid to braid in back box. Carefully and fully insert connectors on printed circuit assemblies.

On all games there are certain items that should be checked after shipment. These are visual inspections which may avoid time consuming service work later. Minor troubles caused by abusive handling in shipment are unavoidable. Cable connectors may be loosened, switches (especially tilt switches) may go out of adjustment. Plumb bob tilt switch should always be adjusted after game is set on location and leg levelers are adjusted.

Visual inspections before plugging in line cord:

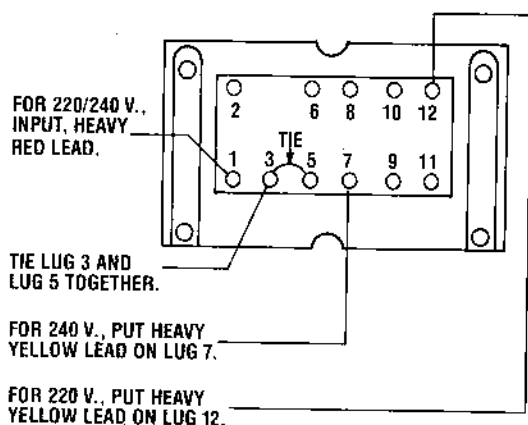
1. Check that all cable connectors are completely seated on printed circuit assemblies.
2. Check that cables are clear of all moving parts.
3. Check for any wires that may have become disconnected.
4. Check switches for loose solder or other foreign material that may have come loose in shipment and could cause shorting of contacts.
5. Check wires on coils for proper soldering. Cold solder connections may not show up in factory inspection, but vibration in shipment may break contact.
6. Check that fuses are firmly seated and making good contact.
7. Check the transformer for any foreign material shorting across wiring lugs.
8. Check wiring of transformer to correspond to location voltage. See figure 1.

Check adjustment of the three (normally open) tilt switches:

1. Panel tilt on bottom of playfield panel.
2. Plumb bob tilt on left side of cabinet near front door.
3. Ball tilt above plumb bob tilt. Insert the smaller ball (15/16" dia.) into the ball tilt assembly, and adjust the bracket so the ball will roll free to contact the switch blade, if front of cabinet is raised.

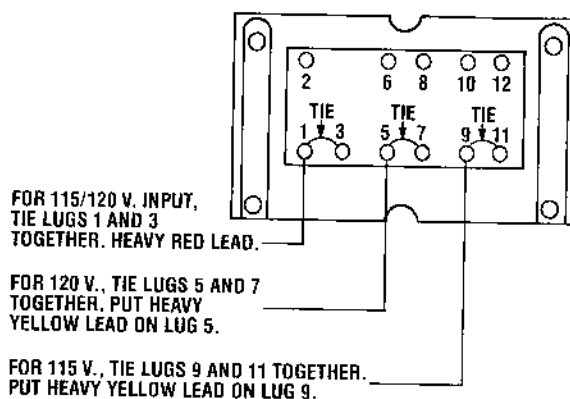
### TRANSFORMER CONNECTION INSTRUCTIONS

E-122-131 TRANSFORMER WIRING FOR 220/240 V.,  
50/60 CYCLE INPUT.



VARISTOR, BALLY PART NO. E-713-1,  
LOCATED IN CABINET, MUST BE USED  
FOR OPERATION AT 220 V. OR 240 V.A.C.

E-122-131 TRANSFORMER WIRING FOR 115/120 V.,  
50/60 CYCLE INPUT.



VARISTOR, BALLY PART NO. E-713,  
LOCATED IN CABINET, MUST BE USED  
FOR OPERATION AT 115 OR 120 V.A.C.

FIGURE I. TRANSFORMER  
(PART OF POWER—TRANSFORMER MODULE A2, LOCATED IN BACK BOX).

## II. GENERAL GAME OPERATION

### Place ball into playfield by outhole.

**Coin game.** Coin should be rejected. Plug in line cord. Move power ON-OFF master switch at bottom right front corner of cabinet to 'ON' position. The game will play a power-up tune to announce game-readiness. Drop targets are reset, scores are set to zero, alternating with the 'High Score to Date', and the game is ready for play. Coin game. The game should accept the coin and post credits\* for coins accepted (adjustable). Pressing the credit button on the door will cause the outhole kicker to serve the ball to the shooter alley. The 1st player-up lite is lit. A game-up tune\* is played to announce play-readiness. The bonus score is advanced to 1000 points.

One player is posted each additional time the credit button is pressed (one to four can play). The credits are reduced by one each time the credit button is pressed until the credits are reduced to zero.

Shooting the ball initiates play. Rebound switches score 10 points. Thumper-bumpers, when not lit, score 10 points.

The game awards all points earned by the player. If spinner is turning and scoring when the ball hits a target, the spinner and the target scores are awarded.

When the ball enters the outhole, the bonus score is added to the total score. The player-up and/or ball in play on the back box is advanced one position. The bonus score is advanced to 1000 points. The outhole kicker serves the ball to the shooter alley and play is resumed. This continues until each player has played the allowable number of balls per game (adjustable). At this time the 'Game Over' light is lit. A random Match\* number appears and the 'Match' light is lit. If the number is the same as the last two digits in a player's score, a free game is awarded.

Extra balls won during the course of the game are played immediately after the player's regular ball enters the outhole. The player-up and/or ball in play on the back box are not advanced for extra ball play. Bonus score is added to the player's score and the bonus is set to 1000 points before the game serves the extra ball for play.

Scoring over 1,000,000 gives "High Score to Date" award.

At the end of the game, a 'High Score to Date' is alternately flashed with all 4 player scores. If the 'High Score to Date' is beat, this feature\* awards free games.

Tilting the game results in loss of a ball. The flippers, thumper-bumpers, etc., go 'dead.' Bonus points are not scored. The purpose of the tilt penalty is to discourage the player from jostling the machine in an attempt to prolong play. Game action becomes normal after the ball kicker assembly serves the ball to the shooter alley.

Slamming the machine results in loss of the game. All feature lights go out, the game goes 'dead,' and a time delay occurs. The purpose of the time delay is to discourage unnecessary abuse of the machine. After the delay, the 'Game Over' light lites and the power-up tune is played. The time delay occurs anytime one of the slam switches is made to contact. There is one factory installed slam switch on the front door. (Any number of slam switches could be installed by the operator, to meet his individual requirement.) The switch should be adjusted to have approximately 1/16" gap between the contacts. The weighted blade should be adjusted to attain the desired sensitivity. Decreasing the gap between contacts will make the switch more sensitive. Opening the gap will reduce sensitivity.

\*Some tunes and features can be disabled by operator if so desired. See Back Box Adjustments.

### III. BOOKKEEPING FUNCTIONS

The game is designed to help the operator certain perform accounting functions. The game can display the number of total plays and replays (free games). It can display the number of coins dropped down each coin chute. The bookkeeping functions are displayed on all player score displays simultaneously. An identification number, 05 to 14, appears on the Match/Ball in Play window as follows:

- 05— 00 to— 40 = Current Credits
- \*06— 10000 to— 99999 = Total Plays (Payed & Free Games)
- \*07— 10000 to— 99999 = Total Replays (Free Games)
- 08— 00 to— 99999 = Total times 'High Score to Date' is beat
- \*09— 10000 to— 99999 = Coins Dropped thru Coin Chute #1
- \*10— 10000 to— 99999 = Coins Dropped thru Coin Chute #2\*\*
- \*11— 10000 to— 99999 = Coins Dropped thru Coin Chute #3\*\*
- \*12— 00 to— 99999 = Number of Specials awarded from Panel Specials Only
- \*13— 00 to— 99999 = Number of minutes of Game Play
- \*14— 00 to— 99999 = Number of Service Credits

The game displays the first bookkeeping entry if the Self-Test button (See Fig. III) on the inside of the front door is pressed ten times. Alternately push and release the Self-Test button at one second intervals. The number 05 appears in the 'Match/Ball in Play' window. Current credits appear on the player score displays. Each additional press of the button causes the next entry to be displayed.

After the data in each bookkeeping register is recorded, it can be set to zero simply by pressing switch button S33, located on A4, the MPU module in the back box (See Fig. III), or by pressing the Coin Chute #3 switch. Any or all registers can be cleared by alternating between the Self-Test button and the switch button S33 on the MPU module or Coin Chute #3 switch. The operator is given this option as a possible convenience and can elect to use or not use it as his needs direct.

Pressing the button once more with the 14th entry displayed causes the game to play the power-up tune and light the Game Over light.

Service credits are designed to allow the serviceman to test the game under actual play conditions without disturbing the bookkeeping records that reside at identification numbers 06, 07, 09, 10 and 11.

To obtain Service Credits, push and release the Self-Test switch until identification number 05 appears in the 'Match/Ball in Play' window. Hold in the Credit button until the desired number of Service Credits (up to five) appears on the player score displays.

NOTE: If, upon accessing identification number 05, a number of credits greater than five is displayed, pressing the credit button has no effect.

Identification number 14 is reserved as a record of the number of Service Credits used.

\*The 10,000 level is pre-set at the factory; can be set to zero, initially, if desired.

\*\*If Coin Chute is not used in game, number displayed (if other than 00) on Player Score displays has no significance.

## #1178 SPACE INVADERS

### IV. FEATURE OPERATION & SCORING

#### A. BONUS SCORE FEATURE

A bonus score of 1000 to 99,000 points may be scored. The game starts with a bonus score of 1000 points. The bonus score advances one step at a time each time the ball hits anyone of the droptargets, the center INVADER TARGET, the hoop or a ball through either return lane. The CLONE CHAMBER target scores three (3) bonus advances.

#### 20-40-60 BONUS

The 20-40-60 BONUS is increased in 20,000 point increments.

Completing the five RED INVADERS:

The 1st time lights the 20 thousand light

The 2nd time lights the 40 thousand light

The 3rd time lights the 60 thousand and the Invader SPECIAL.

#### B. BONUS COLLECT AND BONUS MULTIPLIER

When the ball goes into the outhole, the lit bonus score is added to the player's total score. If the 2X light is lit, twice the amount is added to the player's score. The bonus may also be collected by the MYSTERY SHIP ROLLOVER.

#### C. MEMORY BONUS FEATURES

The 20-40-60 bonus will remain the memory and be lit with the start of each new ball. The 20,000 from the outhole bonus will also be held in memory.

#### D. CLONE CHAMBER FEATURE

This feature consists of a captive ball on the left side of the playfield which can score from 10,000 to 50,000. The value of this feature starts at 10,000 at the beginning of a new game. Hitting the target in the CLONE CHAMBER scores and increases this value and held in memory.

SW. #24

On: Top center rollover scores and increases clone value w/L

Off: Top center rollover only scores clone value w/L

#### E. RED INVADER FEATURE

This feature consists of five (5) targets which when completed advance the 20-40-60 bonus.

The 1st time lights the 20 thousand light

The 2nd time lights the 40 thousand light

The 3rd time lights the 60 thousand light and Special

The 4th and each additional time scores special.

#23 RED INVADER

ON: MEMORY  
OFF: NO MEMORY

#### F. BLUE INVADER FEATURE

This feature consists of five (5) rollover lanes. Knocking out the three (3) BLUE INVADERS at the top of the playfield lights the center rollover to score the CLONE CHAMBER value. Completing all five (5), lights the rollover lanes for extra balls and the center target arrow for 5000 and three (3) bonus advances.

BLUE INVADER SW. 32

ON: TIED  
OFF: SEPARATE

### G. BONUS ACCELERATOR

This feature is located in the center of the playfield. A ball through the hoop:

	<b>3-BALL</b>	<b>5-BALL</b>
The 1st time	5000 + 2X	5000
The 2nd time	5000 + 3X	2X + 5000
The 3rd time	5000 + 4X	3X + 5000
The 4th time	5000 + 5X	4X + 5000
The 5th time	25000	5X + 5000
The 6th time	5000 + SPECIAL	25,000
The 7th time	25000	SPECIAL + 5000
The 8th time	5000 + SPECIAL	25,000
The 9th time	25000	SPECIAL + 5000
ETC.		

### H. MYSTERY SHIP

This feature consists of three sections. The target, the rollover and the 50,000 increased value feature. The drop target scores 500 points and one bonus advance. This target when down opens the rollover for collecting the bonus. The value of either the target or the rollover are increased 50,000 points when lit. These lights are lit randomly.

### I. DROPTARGET FEATURE

Knocking down all the droptargets scores lit value.

1st time 10,000

2nd time 15,000

3rd time 20,000

4th time 25,000

5th and each additional time scores special.

### J. SPECIAL REPLAY/X-BALL/NOVELTY MODES

Switch #6 and #7 give the operator flexibility to award a replay, extra ball or score (Novelty) when a special is scored (hoop SPECIALS drop target, 5 Invader feature). The following chart explains the settings.

SWITCH	SW. 6-ON SW. 7-ON	SW. 6-OFF SW. 7-ON	SW. 6-ON SW. 7-OFF
Positions	REPLAY	X-BALL	NOVELTY
Outlane special	REPLAY	X-BALL*	50,000
Drop target special	REPLAY	X-BALL*	50,000
5 Invader special	REPLAY	X-BALL*	50,000
Left or right hoop special	REPLAY	X-BALL*	50,000
Left or right extra ball lane	X-BALL	X-BALL**	25,000
Scoring thresholds	REPLAY	X-BALL**	NO AWARD

\*50,000 if Same Player Shoot Again is lit.

\*\*25,000 if Same Player Shoot Again is lit.



## V. GAME ADJUSTMENTS

### A. Playfield Panel Post Adjustments:

Posts that control left and right outlane opening on panel can be moved to make access to outlanes easier or harder for ball to enter. See Figure II.

Easier entry will decrease playing time and scoring (conservative).

Harder entry will increase playing time and scoring (liberal).

### B. Back Box Game Adjustments:

Each game has thirty-two switches located on A4, the MPU module, located in the back box, that allow play to be customized to the location. See Figure III. Credits per coin, maximum credits, credit display, balls per game, match feature, high game feature, special award and melody are selectable by means of the switches. The switches are contained in four-sixteen lead packages numbered S1-8, S9-16, S17-24 and S25-32 for easy identification. The "ON" toggle position is marked on the assembly. **Turn off power before making adjustments.**

#### Credits/Coin Adjustments:

The credits per coin are selectable by means of S17-S20 for coin chute #2. The switch settings and resultant credits/coin are as follows:

S20	S19	S18	S17	Credits/Coin
OFF	OFF	OFF	OFF	Same as Coin Chute #1 Settings
OFF	OFF	OFF	ON	1/1 Coin
OFF	OFF	ON	OFF	2/1 Coin
OFF	OFF	ON	ON	3/1 Coin
OFF	ON	OFF	OFF	4/1 Coin
OFF	ON	OFF	ON	5/1 Coin
OFF	ON	ON	OFF	6/1 Coin
OFF	ON	ON	ON	7/1 Coin
ON	OFF	OFF	OFF	8/1 Coin
ON	OFF	OFF	ON	9/1 Coin
ON	OFF	ON	OFF	10/1 Coin
ON	OFF	ON	ON	11/1 Coin
ON	ON	OFF	OFF	12/1 Coin
ON	ON	OFF	ON	13/1 Coin
ON	ON	ON	OFF	14/1 Coin
ON	ON	ON	ON	15/1 Coin

The credits given per coin are selectable by means of switches 1-5 incl., for coin chute #1 and switches 9-13 incl., for coin chute #3. Thirty-one different credit ratios are available for each coin chute. The switch settings and resultant credits/coin are listed below.

### CREDITS/COIN ADJUSTMENTS

COIN CHUTE #1 (HINGE SIDE) OR #3	SWITCHES					CREDITS/COIN
	5	4	3	2	1	
	13	12	11	10	9	
	OFF	OFF	OFF	OFF	OFF	3/2 COINS**
	OFF	OFF	OFF	OFF	ON	3/2 COINS**
	OFF	OFF	OFF	ON	OFF	1/COIN
	OFF	OFF	OFF	ON	ON	1/2 COINS**
	OFF	OFF	ON	OFF	OFF	2/COIN
	OFF	OFF	ON	OFF	ON	2/2 COINS*
	OFF	OFF	ON	ON	OFF	3/COIN
	OFF	OFF	ON	ON	ON	3/2 COINS*
	OFF	ON	OFF	OFF	OFF	4/COIN
	OFF	ON	OFF	OFF	ON	4/2 COINS*
	OFF	ON	OFF	ON	OFF	5/COIN
	OFF	ON	OFF	ON	ON	5/2 COINS*
	OFF	ON	ON	OFF	OFF	6/COIN
	OFF	ON	ON	OFF	ON	6/2 COINS*
	OFF	ON	ON	ON	OFF	7/COIN
	OFF	ON	ON	ON	ON	7/2 COINS*
	ON	OFF	OFF	OFF	OFF	8/COIN
	ON	OFF	OFF	OFF	ON	8/2 COINS*
	ON	OFF	OFF	ON	OFF	9/COIN
	ON	OFF	OFF	ON	ON	9/2 COINS*
	ON	OFF	ON	OFF	OFF	10/COIN
	ON	OFF	ON	OFF	ON	10/2 COINS*
	ON	OFF	ON	ON	OFF	11/COIN
	ON	OFF	ON	ON	ON	11/2 COINS*
	ON	ON	OFF	OFF	OFF	12/COIN
	ON	ON	OFF	OFF	ON	12/2 COINS*
	ON	ON	OFF	ON	OFF	13/COIN
	ON	ON	OFF	ON	ON	13/2 COINS*
	ON	ON	ON	OFF	OFF	14/COIN
	ON	ON	ON	OFF	ON	14/2 COINS*
	ON	ON	ON	ON	OFF	3/4 COINS***
	ON	ON	ON	ON	ON	3/4 COINS***

\*No Credits until second coin is dropped.

\*\*One Credit for first coin. Two Credits for second coin provided that no scoring occurred between 1st and 2nd coin drops. If scoring occurred, second coin gives one credit.

\*\*\*No Credit for first coin. One Credit for second coin. No Credit for 3rd coin and 2 Credits for 4th coin, provided that no scoring occurred between 2nd and 4th coin. If scoring occurred, 4th coin gives one credit.

**MAXIMUM CREDITS:**

The maximum credits accepted by the machine limits the number of games that can be accumulated by coining, by winning replays or both. The maximum number of credits is selectable by means of switches 25 and 26. Four credit limits are available. Switch settings are listed below.

MAXIMUM CREDITS	SWITCHES	
	26	25
10	OFF	OFF
15	OFF	ON
25	ON	OFF
40	ON	ON

BALLS PER GAME:	# BALLS/GAME	SWITCH 31
	5	ON
	3	OFF

**MATCH FEATURE:**

When the Match Feature is ON, a random number appears in the Match/Ball in Play window and the word MATCH is illuminated. If the number matches the tens digit in a player's score, a free game is awarded. The Match feature creates an incentive to play.

CREDIT DISPLAY:	MATCH	SWITCH 28
		ON
	OFF	OFF
CREDIT DISPLAY:	CREDITS DISPLAYED	SWITCH 27
	YES	ON
	NO	OFF

**HIGH SCORE FEATURE:**

The game is designed to award an Extra Ball or Free Game at each of the three score levels. See Front Door Game Adjustments.

AWARD	SWITCH 7	SWITCH 6
REPLAY	ON	ON
EXTRA BALL	ON	OFF
NO AWARD	OFF	ON

**HIGH SCORE TO DATE OR OVER 1,000,000 SCORE FEATURE:**

The game is designed to award free games as an option if high score to date is beat or player exceeds 1,000,000 points. Each time this happens, the winning score becomes the new high score to beat. This score is displayed on all 4 player score displays at the end of each game as an incentive to play. Recommended setting is underlined.

HIGH SCORE TO DATE FEATURE	SWITCH 22	SWITCH 21
No Award	OFF	OFF
One Credit	OFF	ON
Two Credits	ON	OFF
<u>Three Credits</u>	<u>ON</u>	<u>ON</u>

State and local laws may regulate the use of the above features, and they have been designed to allow for appropriate adjustment in order to conform to such requirements.

## #1178 SPACE INVADERS

### SOUND OPTION:

The game is designed to make several tones and noises to announce power-up, game-up, etc. The tones are intended to attract attention to the game and increase game usage. The tones are controlled by switch settings as shown.

SW. 29, 30 ON

Playfield switches associated noises with background.

SW. 29 ON, SW. 30 OFF

Playfield switches associated noises without background.

SW. 29, 30 OFF

Most scoring will have a chime effect.

SW. 29 OFF, SW. 30 ON

Most all scoring will have a noise effect.

### GAME FEATURE OPTIONS:

Flipper button sound adjustment:

SW. 8 ON

Energizing flippers makes a blast noise.

SW. 8 OFF

Blast noise is OFF.

Thumper Bumpers 100 or 1000 score adjustment:

Liberal

SW. 14 ON

Thumpers score 1000.

Conservative

SW. 14 OFF

Thumpers score 100.

Background thumping sound adjustment:

SW. 15 ON

Thumping sound is ON.

SW. 15 OFF

Thumping sound is OFF.

Small flipper feed lanes lite adjustment:

Liberal

SW. 16 ON

Invader lites are tied together.

Conservative

SW. 16 OFF

Invader lites are separate.

Red Invader target lites recall adjustment:

Liberal

SW. 23 ON

Target lites out will not come back on.

Conservative

SW. 23 OFF

Target lites out will come back on.

Top Clone Chamber lite adjustment:

Liberal

SW. 24 ON

Going thru center lane steps up the Clone Chamber value.

Conservative

SW. 24 OFF

Going thru center lane does not step up the Chamber value.

Left & Right Extra ball arrow lane adjustment:

Liberal

SW. 32 ON

Both lites come on.

Conservative

SW. 32 OFF

1 lite comes on then alternates.

## C. FRONT DOOR GAME ADJUSTMENTS

### High Score Feature Adjustments:

The game is designed to award an extra ball (option) or a free game at each of three score levels. The recommended levels are on the score card in the game.

Any level from 10,000 to 990,000 can be set, as desired. It is also possible to reset or turn off (00) any or all of the levels, if desired.

1. Push and release Self-Test button (See Figure III) at one second intervals approximately six times or until identification number 01 appears on the 'Match/Ball in Play' display.
2. The number on the Player Score Displays is the score level.\* It can be increased, if desired, by holding the credit button in. To decrease the score level, hold the credit button in and depress and release the Self-Test button. Release the credit button when the desired number appears. Note that the level changes 10,000 points at a time. If the number '00' is left on the displays, the high score feature is eliminated for that level.
3. Repeat steps 1 and 2 for the second and third score levels. The identification numbers '02' and '03' on the Match/Ball in Play display are for the second and third levels, respectively.

### High Score to Date and 1,000,000 Feature:

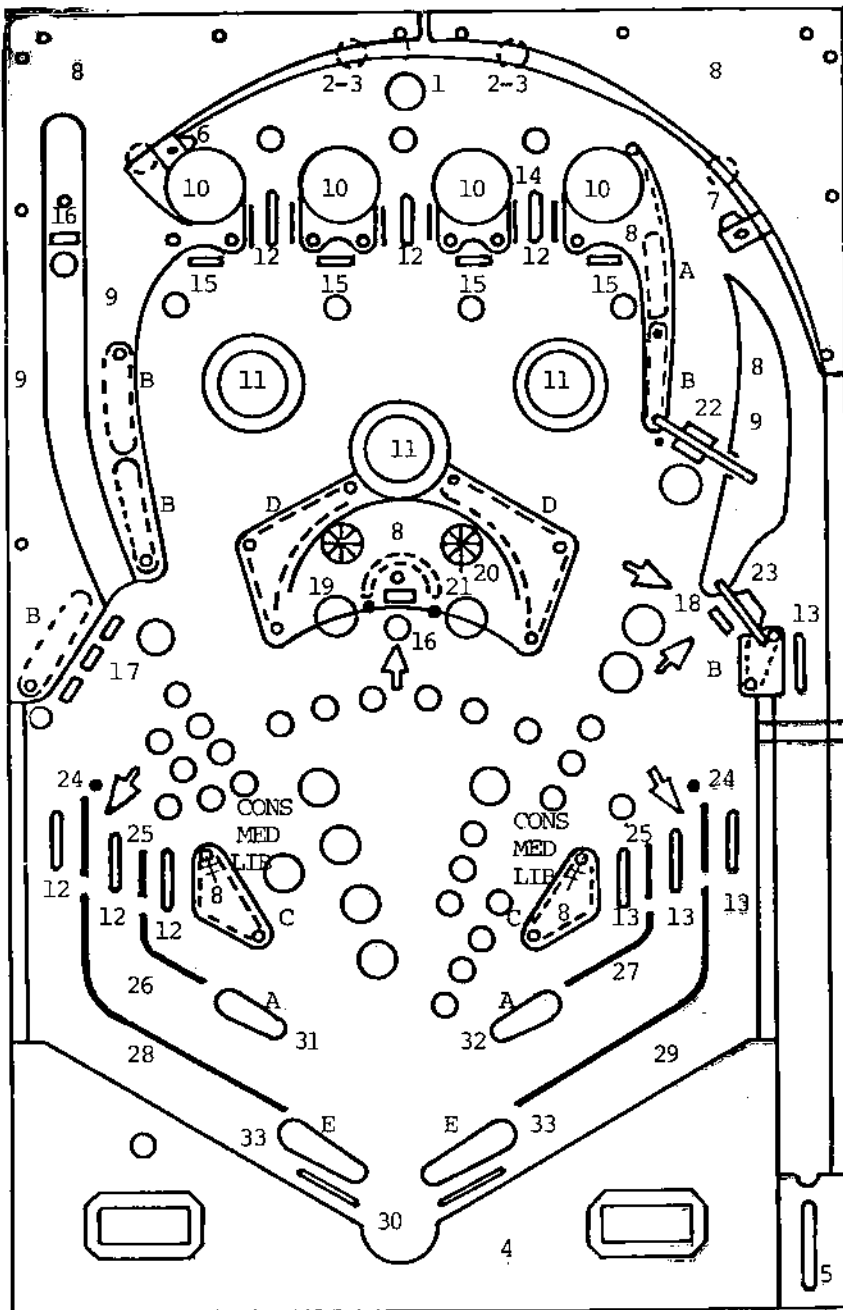
The game is designed to award free games when 'High Score to Date' is beat, or if the player exceeds 1,000,000 points.

It is recommended that the level, which will build with play, be periodically reset to the factory recommended level to encourage game play. The adjustment procedure is the same as for the High Score Feature Adjustment, Steps 1 and 2. Continue pushing the Self-Test button until the identification number '04' appears on the 'Match/Ball in Play' display and then do Step 2.

Any level from '00' to 990,000 can be set as described. It is to be noted that '00' does NOT turn off the feature, as it does on High Score feature. The feature is turned off by positioning switches as discussed under 'Back Box Game Adjustments.'

\*Can be quickly set to '00' by pressing S33 on the MPU assembly in the back box or Coin Chute switch #3. (See Figure III).

# #1178 SPACE INVADERS



## RUBBER PARTS

A.	R-521-1	1" DIA.	(5)
B.	R-521-2	1½" DIA.	(5)
C.	R-521-3	2" DIA.	(2)
D.	R-521-4	2½" DIA.	(2)
E.	R-406-3	FLIPPER	(2)
F.	R-243	5/16" DIA.	(10)

## PANEL TOP PARTS

1.	Arch Rail	M-1774-3	
2.	Rail Post	C-907	(4)
3.	Rail Post Cap	C-908	(4)
4.	Bottom Arch	P-5871-74	
5.	Shooter Gauge	P-6359-40	
6.	Ball Gate (L)	A-1475-12	
7.	Ball Gate (R)	A-1475-13	
8.	Screened Plastics (Set)	M-1330-169	
9.	Clear Plastics (Set)	A-2890-143	
10.	Bumper Cap	A-3852-2	(4)
11.	Thumper Bumper Cap	A-3713-61	(3)
12.	R.O. Wire & Brkt.	AS-2806	(6)
13.	R.O. Wire & Brkt.	AS-2806-1	(4)
14.	Ball Guide Wire	M-121-32	(7)
15.	Target Assembly (Red)	ASE-2911-3	(4)
16.	Target Assembly (White)	ASE-2911-20	(2)
17.	Drop Target Assy.	ASE-2795-31	
18.	In Line Target Assy.	ASE-2993-5	
19.	Ball Guide Assy.	A-3032-34	
20.	R.O. Button	C-900	(2)
21.	Ball Guide	M-121-96	
22.	Spinner Gate Assy.	ASE-2250-64	
23.	Ball Gate Wire Assy.	ASE-2250-27	
24.	Ball Guide	M-121-24	(2)
25.	Ball Guide	M-121-46	(3)
26.	Ball Guide	M-121-78	
27.	Ball Guide	M-121-79	
28.	Ball Guide	M-121-94	
29.	Ball Guide	M-121-95	
30.	Buffer Wire	M-121-53	(2)
31.	Flipper & Shaft	ASE-2214-25	
32.	Flipper & Shaft	ASE-2214-26	
33.	Flipper & Shaft	ASE-2214-24	(2)

CONS.—Conservative  
 MED. —Medium  
 LIB. —Liberal

Indicates Movable Posts for Scoring Adjustment

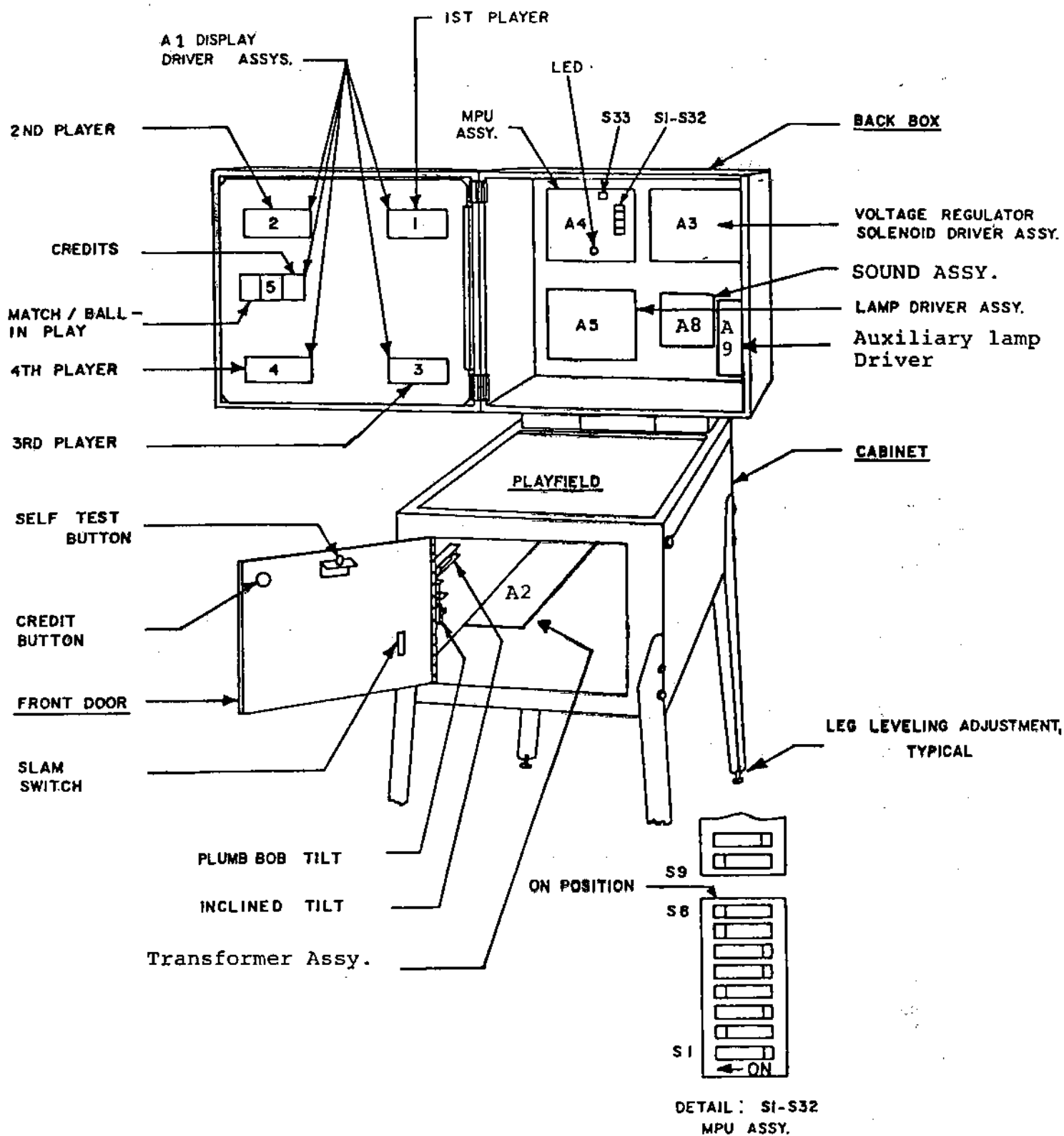


FIGURE III. ELECTRONIC PIN BALL MACHINE

## RECOMMENDED

Instruction, Score Cards and High Score Feature Settings  
to be used on **SPACE INVADERS 1178**

	<b>3-BALL</b>		<b>5-BALL</b>
<b>REPLAYS</b>		<b>REPLAYS</b>	
Instruction Card	M-1508-89-E	Instruction Card	M-1508-89-E
Score Card	M-1508-89-B	Score Card	M-1508-89-A
1 Replay at 350,000		1 Replay at 460,000	
1 Replay at 700,000		1 Replay at 780,000	
		<b>EXTRA BALL</b>	
		Instruction Card	M-1508-89-F
		Score Card	M-1508-89-A W/RR
		1 Extra Ball at 390,000	
		1 Extra Ball at 630,000	
		1 Extra Ball at 850,000	

## ADDITIONAL CARDS

<b>REPLAYS</b>		<b>EXTRA BALL</b>	
M-1508-H	120,000 360,000	M-1508-MM	240,000 480,000 700,000
M-1508-I	140,000 380,000	M-1508-NN	270,000 510,000 730,000
M-1508-J	160,000 400,000	M-1508-OO	300,000 540,000 760,000
M-1508-K	180,000 420,000	M-1508-PP	330,000 570,000 790,000
M-1508-L	200,000 440,000	M-1508-QQ	360,000 600,000 820,000
M-1508-M	220,000 460,000	M-1508-RR	390,000 630,000 850,000
M-1508-N	240,000 480,000	M-1508-SS	420,000 660,000 880,000
M-1508-O	260,000 500,000		
M-1508-P	280,000 520,000	Instruction Card, Novelty	
M-1508-Q	300,000 540,000	M-1508-89-G	
M-1508-R	320,000 560,000	<b>BLANKS (3)</b>	
M-1508-S	340,000 580,000	High game to date recommended levels;	
M-1508-T	360,000 600,000	(reset periodically)	
M-1508-U	380,000 620,000	3 BALL 780,000	
M-1508-V	400,000 640,000	5 BALL 860,000	
M-1508-W	420,000 660,000		
M-1508-X	440,000 680,000		
M-1508-Y	460,000 700,000		
M-1508-AA	140,000 430,000 580,000		
M-1508-BB	160,000 450,000 600,000		
M-1508-CC	180,000 470,000 620,000		
M-1508-DD	200,000 490,000 640,000		
M-1508-EE	220,000 510,000 660,000		
M-1508-FF	240,000 530,000 680,000		
M-1508-GG	260,000 550,000 700,000		
M-1508-HH	280,000 570,000 720,000		
M-1508-II	300,000 590,000 740,000		
M-1508-JJ	320,000 610,000 760,000		
M-1508-KK	340,000 630,000 780,000		
M-1508-LL	360,000 650,000 800,000		

# #1178 SPACE INVADERS

## RECOMMENDED SETTINGS

### SPECIAL: REPLAY

FLIPPER BUTTON BLAST SOUND  
 THUMPER BUMPER 100 or 1000 SCORE  
 BACKGROUND THUMPING SOUND  
 SMALL FLIPPER FEED LANES LITE  
 INVADER TARGETS LITE RECALL  
 TOP CLONE CHAMBER LITE  
 LEFT & RIGHT EXTRA BALL ARROW LANE

	3 BALL	5 BALL
SW. 6	ON	ON
SW. 7	ON	ON
SW. 8	ON	ON
SW. 14	OFF	OFF
SW. 15	ON	ON
SW. 16	OFF	OFF
SW. 23	ON	OFF
SW. 24	ON	OFF
SW. 32	OFF	OFF

### REPLAY

Instruction Card  
 Score Card  
 Major Mode  
 Match  
 High Score to Date

### 3 BALL

M-1508-89-E  
 M-1508-89-B  
 SW. 6, 7, ON  
 SW. 28 ON  
 SW. 21, 22, ON

### 5 BALL

M-1508-89-E  
 M-1508-89-A  
 SW. 6, 7, ON  
 SW. 28 ON  
 SW. 21, 22, ON

### X-BALL

Instruction Card  
 Score Card  
 Major Mode  
 Match  
 High Score to Date

M-1508-89-F  
 M-1508-89-A W/RR  
 SW. 6 OFF  
 SW. 7 ON  
 SW. 28 OFF  
 SW. 21, 22, OFF

### NOVELTY

Instruction Card  
 Major Mode  
 Match  
 High Score to Date

M-1508-89-G  
 SW. 6 ON, 7 OFF  
 SW. 28 OFF  
 SW. 21, 22, OFF

M-1508-89-G  
 SW. 6 ON, 7 OFF  
 SW. 28 OFF  
 SW. 21, 22, OFF

## ADDITIONAL CARDS FOR PAGE 11

### REPLAYS

M-1508-UU	480,000	720,000	M-1508-EEE	380,000	670,000	820,000
M-1508-VV	500,000	740,000	M-1508-FFF	400,000	690,000	840,000
M-1508-WW	520,000	760,000	M-1508-GGG	420,000	710,000	860,000
M-1508-XX	540,000	780,000	M-1508-HHH	440,000	730,000	880,000
M-1508-YY	560,000	800,000	M-1508-III	460,000	750,000	900,000
M-1508-ZZ	580,000	820,000	M-1508-JJJ	480,000	770,000	920,000
M-1508-AAA	600,000	840,000	M-1508-KKK	500,000	790,000	940,000
M-1508-BBB	620,000	860,000	M-1508-LLL	520,000	810,000	960,000
M-1508-CCC	640,000	880,000	M-1508-MMM	540,000	830,000	980,000
M-1508-DDD	660,000	900,000	M-1508-NNN	560,000	850,000	990,000



## VIII. ROUTINE MAINTENANCE ON LOCATION:

Self-Test routines are written into the game design. They are particularly useful for routine maintenance. The tests are described below. The first test is automatic and occurs on power-up. This test causes the MPU module A4 to examine itself for failures. Seven flashes of an LED indicates proper operation. The second series of self-diagnostic tests causes the MPU to 'exercise' each of the other modules in such a way as to make their faults, if any, obvious. See Figure III and Page ii.

It is recommended that these tests be used several times a week to check out the games before play. If faults are discovered, they may be corrected on location if the operator has a stock of replacement modules. See "Trouble Shooting on Location."

### **MPU Module Self-Test:**

At power on, the LED on the MPU module flashes once. (Flicker-Flash). After a pause, it flashes six more times and goes out. A power-up tune is played to announce game readiness. This indicates proper MPU operating condition and successful completion of the power-up test.

### **Game Self-Diagnostic Tests:**

1. Pressing the Self-Test button inside the door initiates the Self-Test routine. See Figures III and IV. All switched lamps flash off and on continuously.
2. Pressing the Self-Test button again causes each digit on each display to cycle from 0 thru 9, and repeat continuously.
3. Pressing the Self-Test button again causes each solenoid to be energized, one at a time, in a continuous sequence. Hold both flipper buttons 'in' during this test. The number appearing on the Player Score displays is the same as the number assigned to the solenoid. The sound of a solenoid pulling-in as a number appears indicates proper operation. The absence of sound is improper. If sound is absent, see Page 17 for help in Solenoid identification.
4. Pressing Self-Test button again causes the sound module to play the "Game Over" tune repeatedly.
5. Pressing the Self-Test button again causes the MPU to search each switch assembly for stuck contacts. If any are found, the number of the first set encountered is flashed on the Player Score displays. The number remains until the fault is cleared. See Page 17 for help in Stuck Switch identification. Other numbers may follow if more stuck contacts are present. If there are no stuck switches, the Match/Ball in Play display flashes '0'.
6. Pressing the Self-Test button 14 more times causes the MPU to step thru the threshold and bookkeeping functions described previously and finally to repeat the power-up test. For more rapid exit to power-up, turn the game off, then on. The game is now ready to play.

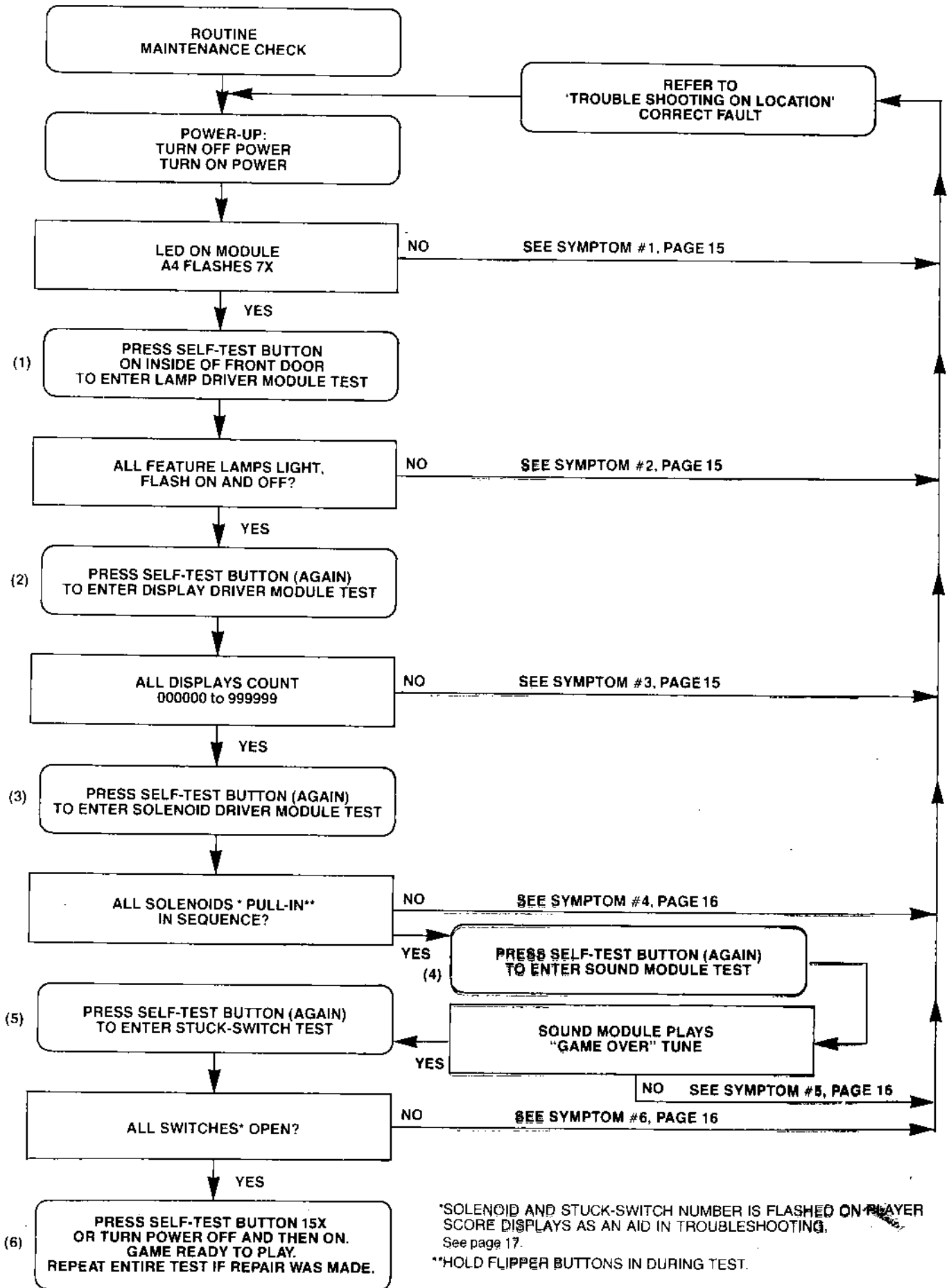
After successful completion of the Self Diagnostic Test procedure, set the game up for play. Exercise each rollover, thumper-bumper, slingshot, etc., by hand until each switch assembly on the playfield has been checked for proper operation. If actuating a switch assembly results in intermittent or no response, clean contacts by gently closing them on a clean business card or piece of paper and wiping until they wipe clean. Regap, if necessary, to 1/16". **Do not burnish or file Gold Plated Switch Contacts.**

## IX. TROUBLESHOOTING ON LOCATION

The game is designed to make troubleshooting easy. Several simple procedures are given herein that cover the greatest percentage of game failures. They are written for an operator on location and require module replacement. (See Figure III) Symptoms and the action to be taken are given for each type of problem.

If the problem is more complicated and is not solved by following this procedure, more detailed procedures are available from Bally. See the Parts List for ordering information.

**FIGURE IV SELF DIAGNOSTIC TEST**



\*SOLENOID AND STUCK-SWITCH NUMBER IS FLASHED ON PLAYER SCORE DISPLAYS AS AN AID IN TROUBLESHOOTING. See page 17.  
\*\*HOLD FLIPPER BUTTONS IN DURING TEST.

- 1A) SYMPTOM:** Game does not play power-up tune when power is turned on. General Illumination is present.
- ACTION:**
- A)** Turn power OFF. Open back box. Locate light emitting diode (LED) on MPU module A4.
  - B)** Turn Power ON. LED must flash 7X to indicate that module A4 is good. Correct flash sequence is flicker/flash-pause-and then six more flashes and LED goes out.
  - C)** If LED does not come on, or does not flash, or flashes, but less than 7X, turn off power. Replace MPU module A4.
- CAUTION:** **Replacement MPU Module must have same Part Number or incorrect operation will result! See Parts List for MPU Module Part Number.**
- Turn power ON.
- D)** If game is correct, it is now ready for play. If game is not correct, refer to Module Replacement procedure. (See Parts List.)
- 2A) SYMPTOM:** Not all feature lamps light during game play.
- ACTION:**
- A)** With power ON, open front door. Press button (Self-Test switch) once. If the game is correct, **all** feature lamps flash ON and OFF.
  - B)** Carefully raise playfield or open back box to gain access to lamps.
  - C)** Replace bulbs that do not flash.
  - D)** If game is correct, it is now ready for play.
  - E)** If game is not correct, turn power OFF. Replace Lamp Driver Module A5. Turn power ON and repeat A.
  - F)** If game is correct, it is now ready for play.\*
  - G)** If game is not correct, turn power OFF. Replace MPU module A4. See CAUTION, 1C. Turn power ON and repeat A.
  - H)** If game is correct, it is now ready for play.\* If game is not correct, refer to Module Replacement procedure. (See Parts List.)
- 2B) SYMPTOM:** One or some switched lamps always ON.
- ACTION:** Repeat 2AA, AB, AE, and AF and, if necessary AG & AH.
- 3A) SYMPTOM:** Display digits improper on **one** or **several**, but less than all Display Driver module(s), A1. Improper: One or several segments always OFF, digits mottled or several segments or digit(s) always ON.
- ACTION:**
- A)** With power ON, open front door. Press button (Self-Test switch) twice. If the game is correct, each digit on each Display Driver Module A1 (5 used/game) displays the count 1-9 and 0 continuously in all 6 digit positions. Note defective Display Driver modules.
  - B)** Turn power OFF.
- CAUTION: High Voltage is supplied to the Display Driver Modules, A1, from the Solenoid Driver/Voltage Regulator Module A3. Wait 30 seconds for High Voltage to Bleed Off.**
- C)** Replace Display Driver module(s) A1. Turn power ON. Repeat A.
  - D)** If game is correct, it is now ready to play.\* If game is not correct, refer to Module Replacement procedure. (See Parts List.)
- 3B) SYMPTOM:** **All** displays improper (all five display Driver modules). Improper: Digit(s) always on or off/segment(s) always on or off, all displays.
- ACTION:**
- A)** Repeat 3AA, and AB.
  - B)** Replace MPU module A4. See CAUTION NOTE, 1C. Turn power ON. Repeat A.

- C) If game is correct, it is now ready to play.\* If game is not correct, refer to Module Replacement procedure. (See Parts List.)
- 3C) **SYMPTOM:** One or several displays always off.  
**ACTION:** A) Do 3AA, AB, AC, and AD.  
 B) Repeat 3BB and BC, if necessary.
- 4A) **SYMPTOM:** Solenoid(s) do(es) not pull-in during course of game.  
**ACTION:** A) With power ON, open front door. Press button (Self-Test switch) three times.  
 B) If game was correct, each solenoid would be energized. A number is flashed on the Player Score displays as each solenoid is pulsed. Note any numbers that do not have the sound of a solenoid associated. See Solenoid Identification Table, Page 17 and Figure V.  
 C) Carefully lift the playfield (or open the back box) to gain access to the solenoid. Turn power OFF. Inspect the solenoid.  
 D) If a lead is broken off, repair. Repeat A & B. If game is correct, it is now ready for play.\* If solenoid wiring was correct, turn power OFF.  
 E) Replace Solenoid Driver/Voltage Regulator module A3. See CAUTION NOTE 3AB.  
 F) Repeat AA & AB. If game is correct, it is now ready to play.\* If game is not correct, turn power OFF.  
 G) Replace Sound Module A8.  
 H) Repeat AA and AB if game is correct. It is now ready to play. If game is not correct, turn power OFF.\*  
 I) Replace MPU module A4. See CAUTION NOTE, 1C.  
 J) Repeat A & B. If game is correct, it is now ready to play.\* If game is not correct, refer to Module Replacement Procedure. (See Parts List.)
- 4B) **SYMPTOM:** Solenoid(s) always energized—Note: if impulse solenoids (ball ejects, slingshots, thumper-bumpers, etc.) are energized continuously, they are subject to damage. Limit troubleshooting to one minute with power ON, followed by **five minutes with power OFF**. Repeat as necessary. Replace damaged solenoids.  
**ACTION:** Do 4AA, AB, AE, AF, AG, AH and if necessary, AI and AJ.
- 5) **SYMPTOM:** No Sound.  
**ACTION:** A) With Power ON, open front door, press Self-Test switch four times.  
 B) Turn volume control clockwise to Max.  
 C) If correct, sound will be heard. If incorrect, try seating speaker lead connector (J2) and input connector (J1).  
 D) If correct, sound will be heard. If incorrect, refer to Module Replacement procedure.\*
- 6) **SYMPTOM:** Feature (Drop Targets, etc.) does not score.  
**ACTION:** A) With power ON, open front door. Press button (Self-Test switch) five times.  
 B) If the game is correct, Match/Ball in Play display would flash '0'. If a number appears on the Player Score displays, see Switch Assembly Identification Table, Page 17 and Figure V.  
 C) Carefully lift the playfield. Locate the switch assembly identified from the number. Visually inspect the switch assembly. If the contacts are 'stuck', regap them to 1/16". See section under ADJUSTMENTS. Repeat A & B. If the game is correct, it is now ready to play.\* If game is not correct, turn the power OFF.  
 D) Replace MPU module A4. See CAUTION NOTE 1, C.  
 E) Repeat A & B. If the game is correct, it is now ready to play.\* If the game is not correct, refer to Module Replacement Procedure. (See Parts List).
- 7) **SYMPTOM:** Game blows fuse(s) repeatedly.  
**ACTION:** See Module Replacement Procedure. F.O. 560

\*Turn power On-Off switch OFF and then ON.

**GAME #1178 SPACE INVADERS (FIGURE V)  
SOLENOID IDENTIFICATION TABLE**

<b>Self Test #</b>	<b>SOLENOID IDENTIFICATION</b>
01	OUTHOLE KICKER
02	KNOCKER
03	LEFT SLINGSHOT
04	RIGHT SLINGSHOT
05	LEFT THUMPER BUMPER
06	RIGHT THUMPER BUMPER
07	BOTTOM THUMPER BUMPER
08	3 DROP TARGET RESET
09	SINGLE DROP TARGET
10	COIN LOCKOUT DOOR
11	KI RELAY (FLIPPER ENABLE)

**SWITCH ASSEMBLY SELF-TEST DISPLAY NUMBERS**

<b>Switch Self Test #</b>	<b>DESCRIPTION</b>	<b>Switch Self Test #</b>	<b>DESCRIPTION</b>
01	DROP TARGET #3 (BOT.)	21	#1 TARGET (FROM LEFT)
02	DROP TARGET #2	22	TOP RIGHT ROLLOVER
03	DROP TARGET #1 (TOP)	23	TOP CENTER ROLLOVER
04	SPINNER	24	TOP LEFT ROLLOVER
05	50 POINT REB. (4), DROP TARGET & 4 TOP BUMPERS	25	RIGHT OUT ROLLOVER
06	CREDIT BUTTON	26	RIGHT EXTRA BALL LANE
07	TILT (3)	27	RIGHT SMALL FLIP/FEED LANE
08	OUTHOLE	28	LEFT SMALL FLIP FEED LANE
09	COIN III (RIGHT)	29	LEFT EXTRA BALL LANE
10	COIN I (LEFT)	30	LEFT OUTLANE
11	COIN II (MIDDLE)	31	COLLECT BONUS ROLLOVER
12		32	HOOP R.O. BUTTON (2)
13		33	UPPER RIGHT FLIPPER
14		34	SINGLE DROP TARGET
15	CLONE CHAMBER TARGET	35	UPPER LEFT FLIPPER
16	SLAM (2)	36	RIGHT SLINGSHOT
17	#5 HOOP TARGET	37	LEFT SLINGSHOT
18	#4 TARGET (FROM RIGHT)	38	BOTTOM THUMPER BUMPER
19	#3 TARGET	39	RIGHT THUMPER BUMPER
20	#2 TARGET	40	LEFT THUMPER BUMPER
			→ PUSH FLIPPER UP BY HAND

**NOTE: SLINGSHOT & THUMPER BUMPER COILS  
WILL BE ENERGIZED WHEN SWITCH IS MADE.**

# #1178 SPACE INVADERS

○ INDICATES SWITCH ASSEMBLY IDENTIFICATION NUMBERS.  
NOTE: CABINET: 07, 16  
DOOR: 06, 09, 10, 11, 16

□ INDICATES SOLENOID IDENTIFICATION NUMBERS.  
NOTE: DOOR: 10  
BACKBOX: 11  
CABINET: 02

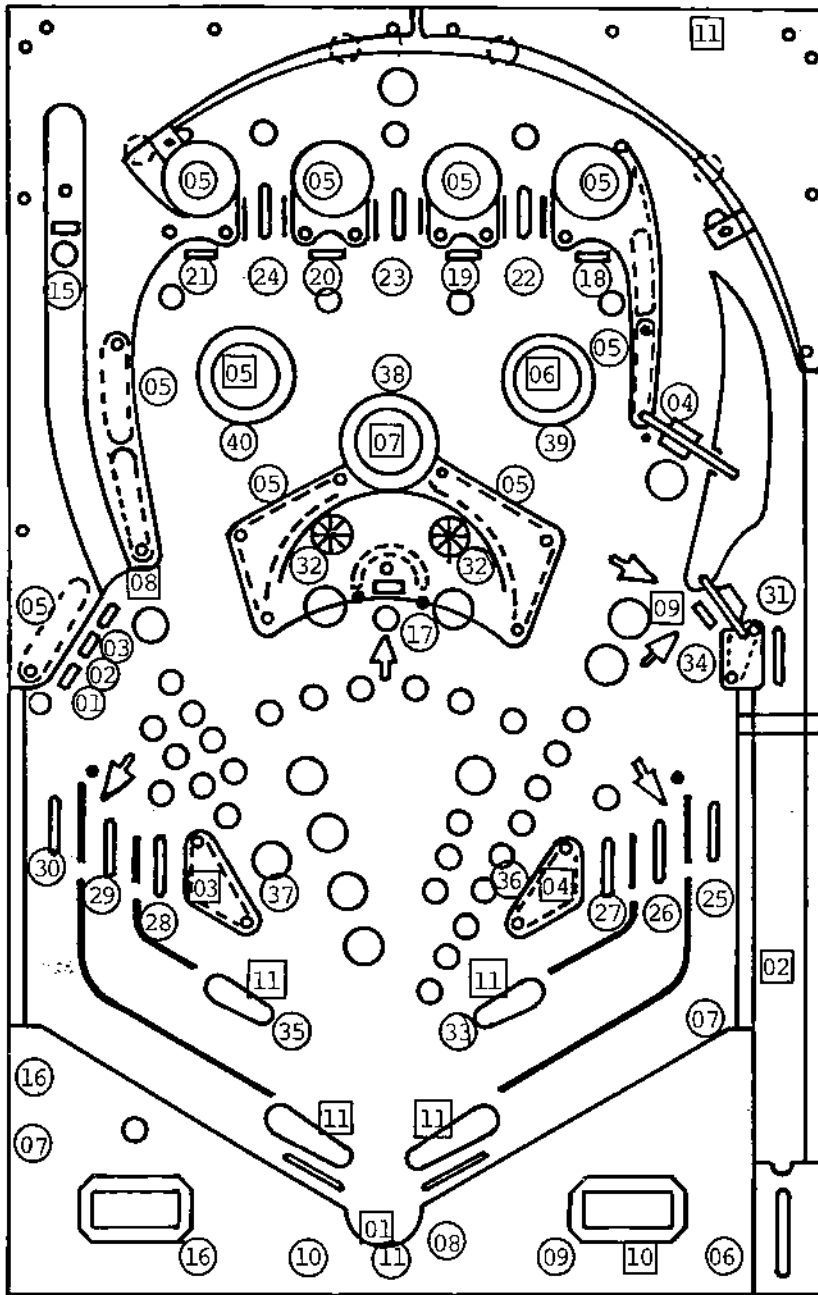


FIGURE V

## ASSEMBLY ADJUSTMENTS:

### GENERAL:

All switch assemblies consist of leaf springs, contacts, separators, plastic tubing and screws to hold them to the mounting surface. Before attempting to adjust a switch assembly, make sure that these screws are tight. If not, tighten screw closest to the contact end of the leaf spring first. This will prevent the assembly from being secured in such a manner that the leaf springs tend to fan out. In general, all leaf springs are adjusted for a 1/16" gap in the open position and .010" overtravel or wipe in the closed position. All contacts should be in good condition. Unless otherwise instructed, they should be dry or non-lubricated. All contacts should be free of dust and dirt. Contacts, with the exception of the flipper button switch assemblies, are plated to resist corrosion. Filing or burnishing breaks the finish and encourages corrosion. Clean by closing the contacts over a clean piece of paper (e.g. a business card) and wiping gently until the contacts are clean. For the flipper button switch assemblies **ONLY**: Tarnish can be removed with a contact file followed by a burnishing tool. Severely pitted contacts must be replaced as an assembly. In general, contacts need be cleaned or replaced and adjusted only when they are found to be a source of game malfunction.

### X. SERVICE PARTS:

A parts catalogue is available upon request. The catalogue is illustrated and lists all replacement parts for each game manufactured by Bally. Requests should be addressed to:

BALLY MANUFACTURING CORPORATION  
2640 WEST BELMONT AVENUE  
CHICAGO, ILLINOIS 60618  
ATTN: PARTS DEPARTMENT

### SERVICE HINTS:

The Bally playfield has an improved tuff-coat finish with excellent wearing properties. Its life expectancy, as well as play appeal, can be extended by periodic cleaning of the playfield.

**DO:** Bally recommends you clean your playfield with Wildcat #125 (Wildcat Chemical Co., 1333 W. Seminary Drive, Ft. Worth, Texas 76115). Wildcat #125 is a combination cleaner and polish. Bally has tried and tested this product and found it to be very effective. If Wildcat #125 is not available, Bally suggests you ask your Distributor to order it. Inspect and hand polish the ball in a clean cloth. A chipped ball must be replaced. It can ruin the finish on the playfield in a short period of time.

**DON'T:** Use water in large quantities, highly caustic cleaners, abrasive cleaners or cleaning pads on the playfield. Do not allow a wax or polish build up. Waxes yellow with age and spoil play appeal.

**XI. PARTS LIST**  
**#1178 SPACE INVADERS**

<b>MISCELLANEOUS</b>	<b>PART NUMBER</b>
Transformer (Domestic or Export) .....	E-122-131
Bulbs, #44 .....	E-125-22
Fuse, 1 Amp. 3 AG Slow Blow (Playfield Solenoid Protection) .....	E-133-44

**ASSEMBLY COILS**

Coin Lockout .....	FO-36-7000
Flipper (4) .....	AQ-25-500/ 34-4500
Knocker .....	AR-26-1200
Outhole Kicker .....	AN-26-1200
Thumper-Bumper (3) .....	AN-26-1200
Sling-Shot (2) .....	AN-26-1200
Drop Target Reset .....	NO-26-1900
Single Drop Target .....	AR-26-1200

**PLAYFIELD PARTS**

See Figure II

**MODULES**

Lamp Driver A5 .....	AS-2518-23
Display Driver A1 (5 used) .....	AS-2518-21
Solenoid Driver/Voltage Regulator A3 .....	AS-2518-22
MPU A4 .....	AS-2962-17
Transformer & Rectifier A2 .....	AS-2877-3
Rectifier Board (Part of A2) .....	AS-2518-49
Sound .....	AS-3022-6*
Auxiliary Lamp Driver A9 .....	AS-2518-52

**REPAIRS PROCEDURES/AIDS**

Module & Component Replacement .....	F.O.560-1
AID (Assistance in Diagnostics)	
Kit, used with F.O.560-1 .....	KIT #485-1

**MODULE COMPONENTS**

SEE MODULE PARTS LIST

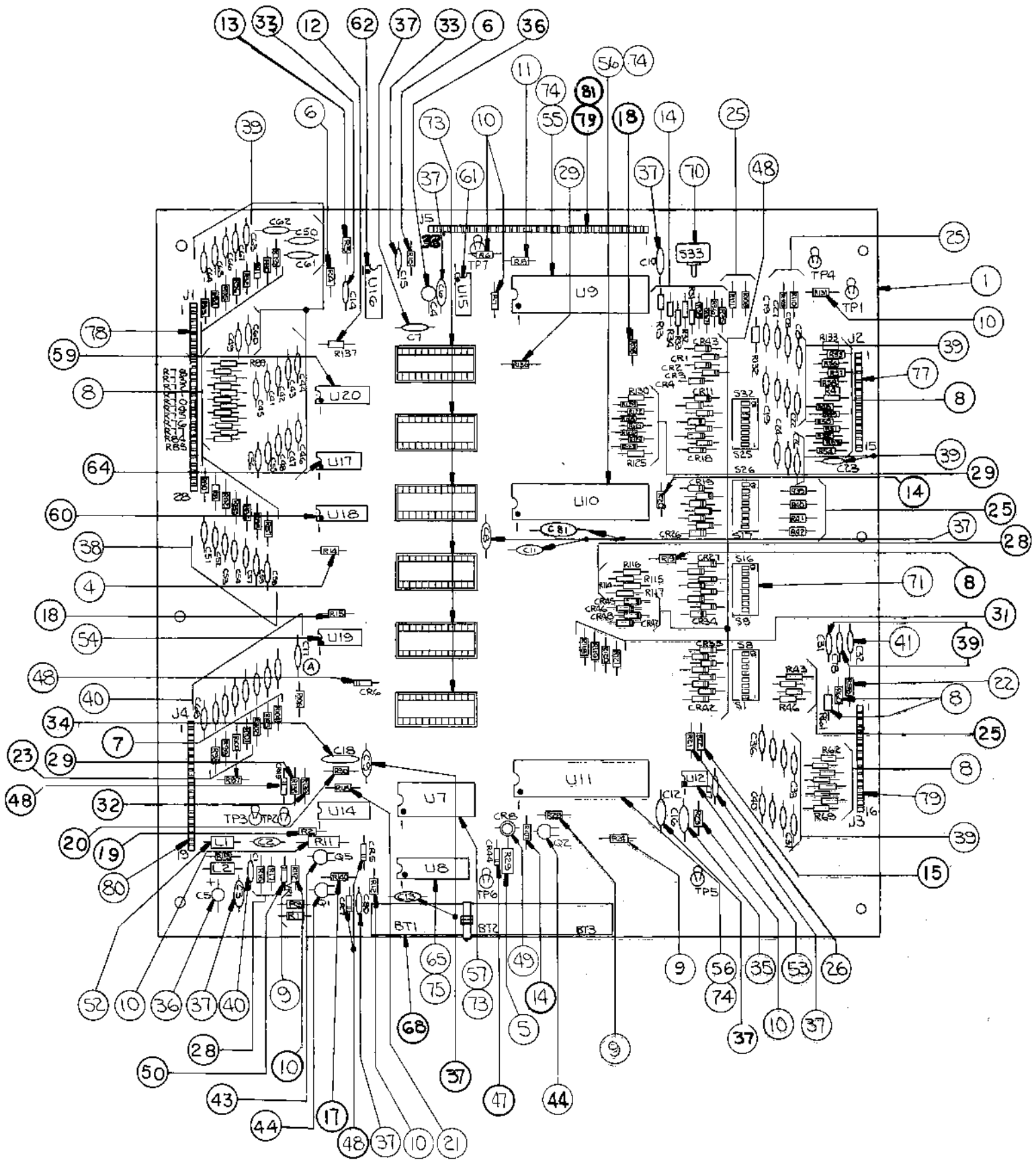
**MODULE COMPONENT STARTER KITS**

(Each Kit contains an assortment of the most needed electronic parts for use in Module repair.)

- Kit #558—For Rectifier Board (Part of A2)
- Kit #503—For MPU Board A4 (Less Memory U1-U6)
- Kit #492—For Solenoid Driver/Voltage Regulator A3
- Kit #493—For Display Driver A1
- Kit #494—For Lamp Driver A5
- Kit #559—For Sound A8



# AS-2518-35 MPU MODULE



## A4: MPU MODULE COMPONENT PARTS LIST

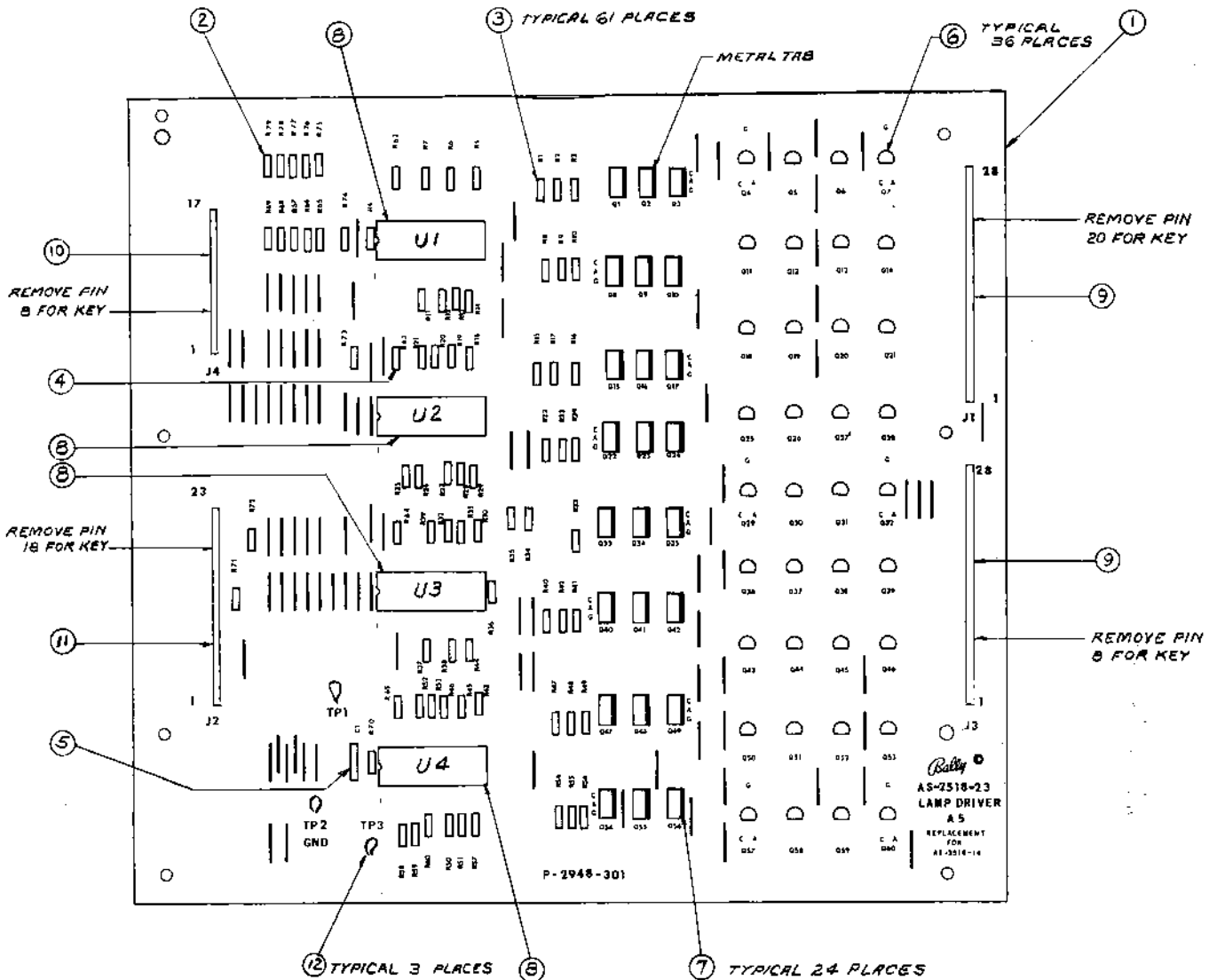
ITEM	REFERENCE DESIGNATION	BALLY PART #	DESCRIPTION
1	A4 (see note 1)	AS-2962-17	MPU Module Complete. Space Invaders
2	A4 (see note 2)	AS-2518-35	MPU Module less Program Memory, U1-6 incl.
3-32	See Schematic		Resistors, See schematic for value
33	C14, C15	E-00586-0067	Capacitor, 470 PFD, 1kv
34	C18	E-00586-0088	Capacitor, .05 MFD, 16V
35	C16	E-00586-0081	Capacitor, .1 MFD, 100V
36	C4, C5	E-00586-0073	Capacitor, 4.5 MFD, 25V
37	C3, C6-C13, C17, C81	E-00586-0085	Capacitor, .01 MFD, 25V
38	C79, C41-C67	E-00586-0083	Capacitor, 470 PFD, 50V
39	C19-C31, C78, C33-C40	E-00586-0082	Capacitor, 390 PFD, 50V
40	C1, C2, C68-C77	E-00586-0084	Capacitor, 820 PFD, 50V
41	C32	E-00586-0077	Capacitor, 3000 PF, 1kv
43	Q5	E-00585-0023	Transistor PNP (MPS-3702)
44	Q1, Q2	E-00585-0031	Transistor (2N3904)
47	CR44	E-00587-0006	Diode (1N4004)
48	CR1-CR7, CR11-CR43, CR45-CR49	E-00587-0014	Diode (1N4148)
49	CR8	E-00679	LED (Green)
50	VR1	E-00598-0008	Diode Zener (8.2V, 1N9598)
52	L1, L2	E-00604-0003	Inductor, 22 Micro Hy.
53	U12	E-00620-0004	Timer (555)
54	U19	E-00620-0005	Quad 2 Input (4011)
55	U9	E-00620-0028	MPU I.C. (6800)
56	U10, U11	E-00620-0029	PIA I.C. (6820)
57	U7	E-00620-0030	RAM I.C. (6810)
59	U20	E-00620-0032	HEX Buffer I.C. (14502B)
60	U14, U18	E-00620-0033	HEX Inverter (4049B)
61	U15	E-00620-0034	Quad Memory Drive (MC3459L)
62	U16	E-00620-0035	Dual Monostable (9602)
64	U17	E-00620-0041	Quad 2 Inputs (74L00N)
65	U8	E-00620-0042	RAM (C MOS, P5101L-3)
68	BT1, BT2, BT3	E-00628-0003	Battery
70	S33	E-00658-0001	Push Button Switch
71	S1-S8, S9-S16, S17-S24, S25-S32	E-00677	DIP Switch
73		E-00712	24 Pin Socket
74		E-00712-0001	40 Pin Socket
75		E-00712-0003	22 Pin Socket
77	J2	E-00715	15 Pin Wafer Connector
78	J1	E-00715-0004	28 Pin Wafer Connector
79	J3, J5	E-00715-0017	16 Pin Wafer Connector
80	J4	E-00715-0018	19 Pin Wafer Connector
81	J5	E-00715-0024	17 Pin Wafer Connector

**NOTE 1:**

When ordering, fill in dash number. For example, AS-2962-0: LOST WORLD, AS-2962-2: SIX MILLION DOLLAR MAN, AS-2962-3: PLAYBOY, AS-2962-4: VOLTAN, AS-2962-5: SUPERSONIC, AS-2962-6: STAR TREK, AS-2962-7: KISS, AS-2962-8: PARAGON, AS-2962-9: GROUND SHAKER, AS-2962-10: HARLEM GLOBETROTTERS, AS-2962-12: DOLLY PARTON, AS-2062-13: SILVERBALL MANIA, AS-2962-16: ROLLING STONES, AS-2962-17: SPACE INVADERS

**NOTE 2:** Order replacement memory chips U1-U6, specifying game, socket and part number stamped on chip.

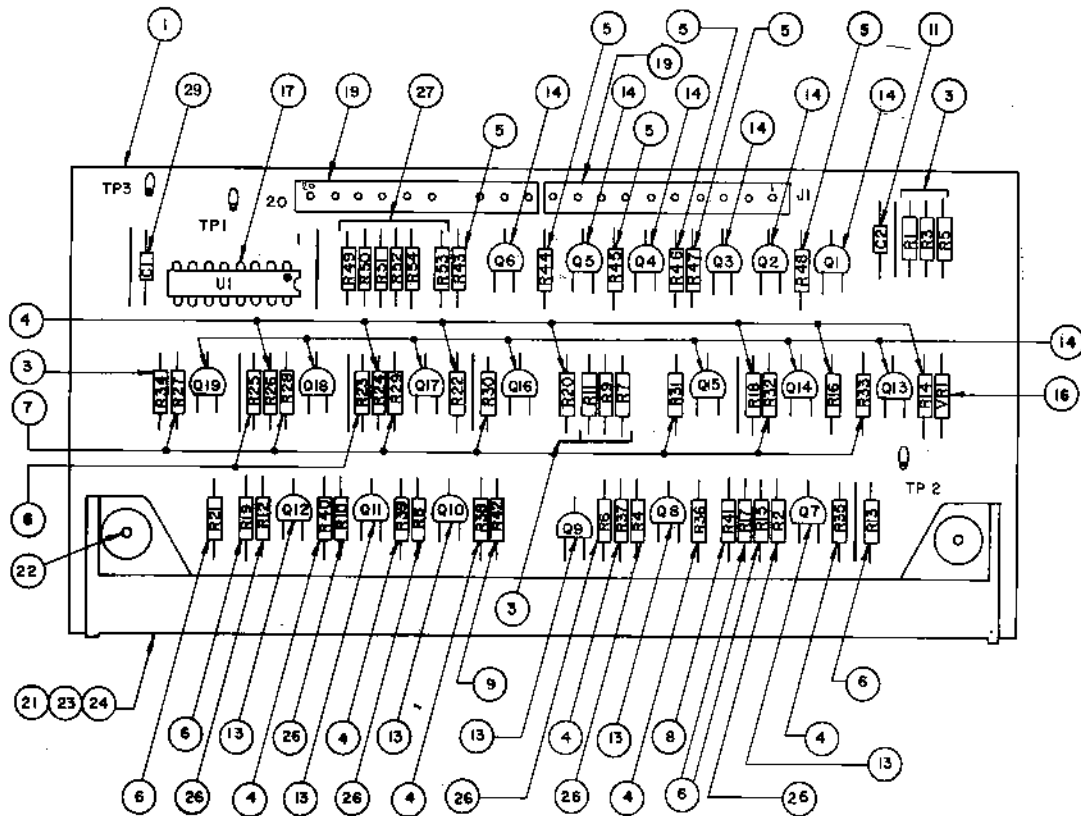
## AS-2518-23 LAMP DRIVER MODULE



### A5: LAMP DRIVER MODULE COMPONENT PARTS LIST

ITEM	REFERENCE DESIGNATION	BALLY PART #	DESCRIPTION
1	A5	AS-2518-23	Lamp Driver Module, Complete
2	R71-R79	E-00105-242	Resistor, 20k $\Omega$ , 5%, 1/4 W
3	R1-R60, R70	E-00105-0237	Resistor, 2k $\Omega$ , 5%, 1/4 W
4	R61-R69	E-00105-0256	Resistor, 2.2M $\Omega$ , 1/4 W
5	C1	E-00586-0065	Capacitor, .01 MFD, 500V
6	Q4-Q7, Q11-Q14, Q18-Q21, Q25-Q32, Q36-Q39, Q43-Q46, Q50-Q53, Q57-Q60	E-00585-0014	SCR, 2N5060
7	Q1-Q3, Q8-Q10, Q15-Q17, Q22-Q24, Q33-Q35, Q40-Q42, Q47-Q49, Q54-Q56	E-00585-0029	SCR, MCR106-1
8	U1-U4	E-00620-0037	I.C., Decoder, 14514B
9	J1, J3	E-00715-0004	28 Pin Wafer Connector
10	J4	E-00715-0024	17 Pin Wafer Connector
11	J2	E-00715-0014	23 Pin Wafer Connector
12	TP1, TP2, TP3	P-05399	Test Clip

## AS-2518-21 DISPLAY DRIVER MODULE

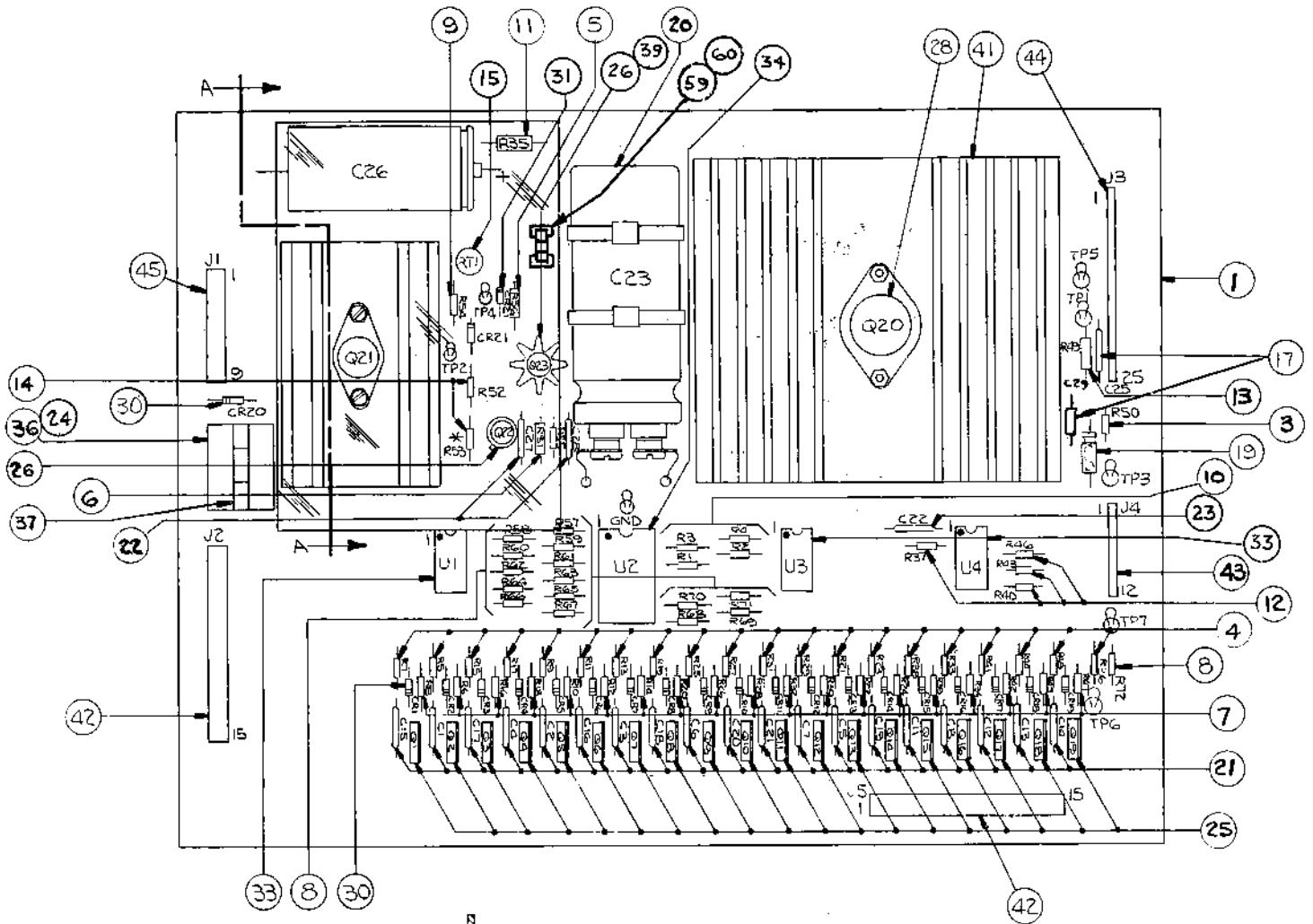


### A1: DISPLAY DRIVER MODULE COMPONENT PARTS LIST

ITEM	QTY.	REFERENCE DESIGNATION	BALLY PART #	DESCRIPTION
1	1		P-2948-296	P.C. Board, M-645-392
3	7	R1, R3, R5, R7, R9, R11, R34	E-105-226	Resistor, 100K $\Omega$
4	13	R14, R16, R18, R20, R22, R24, R26, R35, R36, R37, R38, R39, R40	E-105-227	Resistor, 300K $\Omega$
5	6	R43, R44, R45, R46, R47, R48	E-105-228	Resistor, 9.1K $\Omega$
6	7	R13, R15, R17, R19, R21, R23, R25	E-105-229	Resistor, 1.5K $\Omega$
7	7	R27, R28, R29, R30, R31, R32, R33	E-105-230	Resistor, 1K $\Omega$
8	1	R41	E-105-231	Resistor, 39K $\Omega$
9	1	R42	E-105-271	Resistor, 240K $\Omega$
10				
11	1	C2	E-586-65	Capacitor, .01 MFD, 500V
13	6	Q7, Q8, Q9, Q10, Q11, Q12	E-585-32	Transistor (2N5401)
14	13	Q1, Q2, Q3, Q4, Q5, Q6, Q13, Q14, Q15, Q16, Q17, Q18, Q19	E-585-33	Transistor (MPS-A42)
16	1	VR1	E-598-7	Zener Diode, 110V
17	1	U1	E-620-38	I.C. Decoder
18				
19	2	J1	E-715-34	10 Pin Wafer Pin Connector
21	1	DS1	E-680	Digital Display Panel
22	2		M-1836	Hi-Lo Screw, W/H
23	1		P-2399	Display Mounting (Top)
24	1		P-2399-1	Display Mounting (Bottom)
26	6	R2, R4, R6, R8, R10, R12	E-105-287	Resistor, 2.2K $\Omega$
27	6	R49, R50, R51, R52, R53, R54	E-105-242	Resistor, 20K $\Omega$
28	As Req'd			Wire Jumper
29	1	C1	E-586-85	Capacitor, .01 MFD, 25V

**NOTE:** INTERCHANGEABLE WITH AS-2518-15

# AS-2518-22 SOLENOID DRIVER/VOLTAGE REGULATOR MODULE



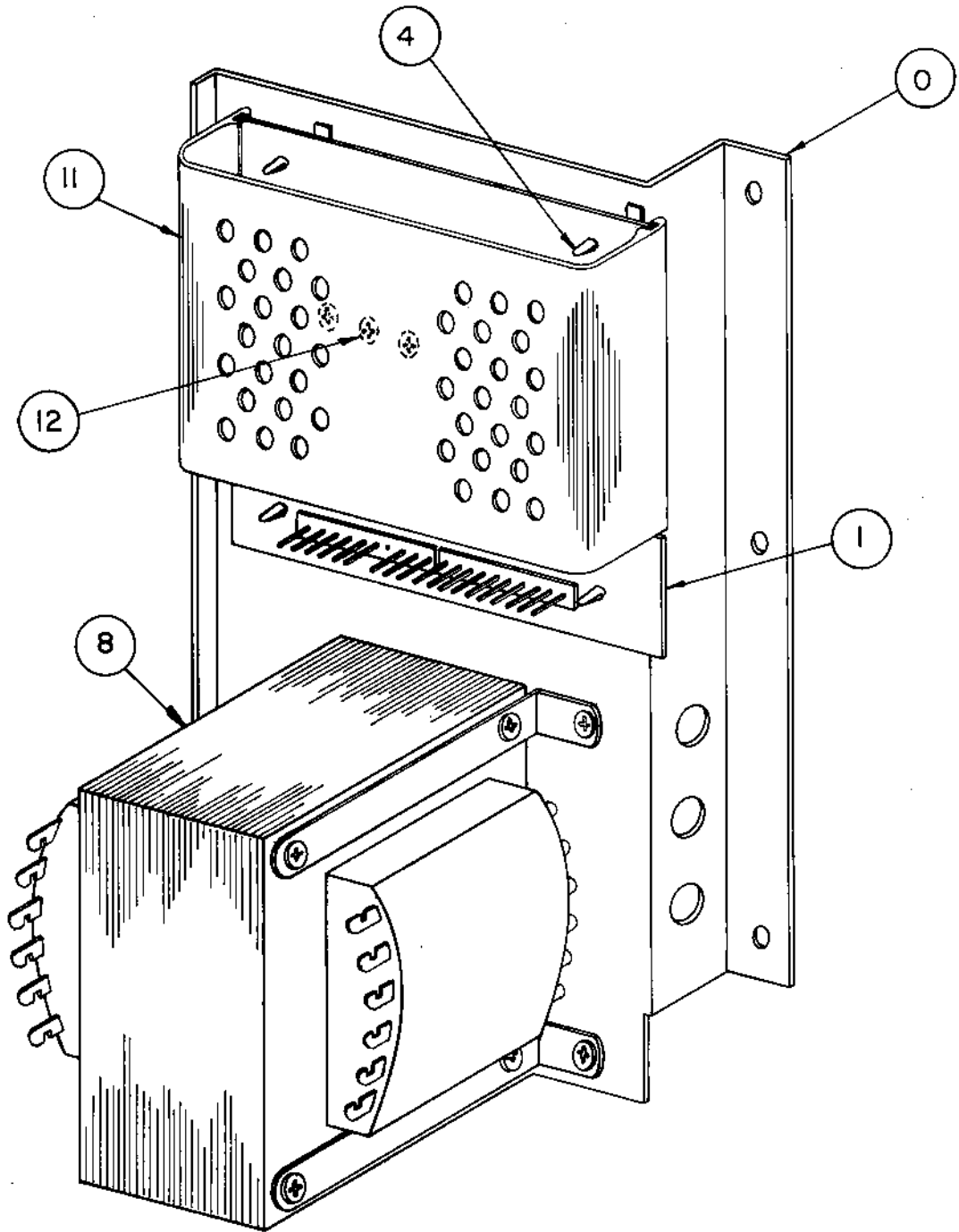
NOTE: INTERCHANGEABLE WITH AS-2518-16

## A3: SOLENOID DRIVER/VOLTAGE REGULATOR MODULE

### COMPONENT PARTS LIST

ITEM	REFERENCE DESIGNATION	BALLY PART #	DESCRIPTION
1	A3	AS-2518-22	Solenoid Driver/Voltage Regulator Module, Complete
3-14	Resistors		Resistor, See Schematic for value.
15	RT1	E-00599-0014	Pot. (Linear) 25K
17	C25, 29	E-00586-0014	Capacitor, .1 MFD, 20V
18	C26	E-00586-0059	Capacitor, 160 MFD, 350V
19	C24	E-00586-0063	Capacitor, 2 MFD @ 25V
20	C23	E-00586-0062	Capacitor, 11700 MFD, 20V
21	C1-C8, C11-C21	E-00586-0064	Capacitor, .002 MFD, 1kv
22	C27, C28	E-00586-0065	Capacitor, .01 MFD, 500V
24	K1	E-00146-0795	Relay, Printed Circuit
25	Q1-Q19	E-00585-0034	Transistor, SE9302
26	Q22, Q23	E-00585-0041	Transistor, 2N3440
27	Q21	E-00585-0042	Transistor, 2N3584
28	Q20	E-00710	+5V Regulator, LAS1405 or 78H05KC or LM323K
30	CR1-CR21	E-00587-0015	Diode (IN4004)
31	VR1	E-00598-0010	Diode, Zener 140V, IN5275A
33	U1, U3, U4	E-00681	I.C. Transistor Array, CA3081
34	U2	E-00620-0039	I.C. Binary to 1/16 Decoder, 74L154
36		E-00592-0002*	Relay Socket
37		M-1839*	Relay Holder
39		E-00682	Heat Sink, TO5
40		E-00682-0001	Heat Sink, TO66
41		E-00682-0002	Heat Sink, TO3 Case
42		E-00715-0039	15 Pin Wafer Connector
43		E-00715-0016	12 Pin Wafer Connector
44		E-00715-0020	25 Pin Wafer Connector
45		E-00715-0033	9 Pin Wafer Connector
55		M-1838	Shield-Plexiglass
59		E-00148-0021	Fuse Clips
60	F1	E-00133-0029	Fuse 8 AG-3/16 Amp.
23	C22	E-00586-0085	Capacitor, .01 MFD, 25V

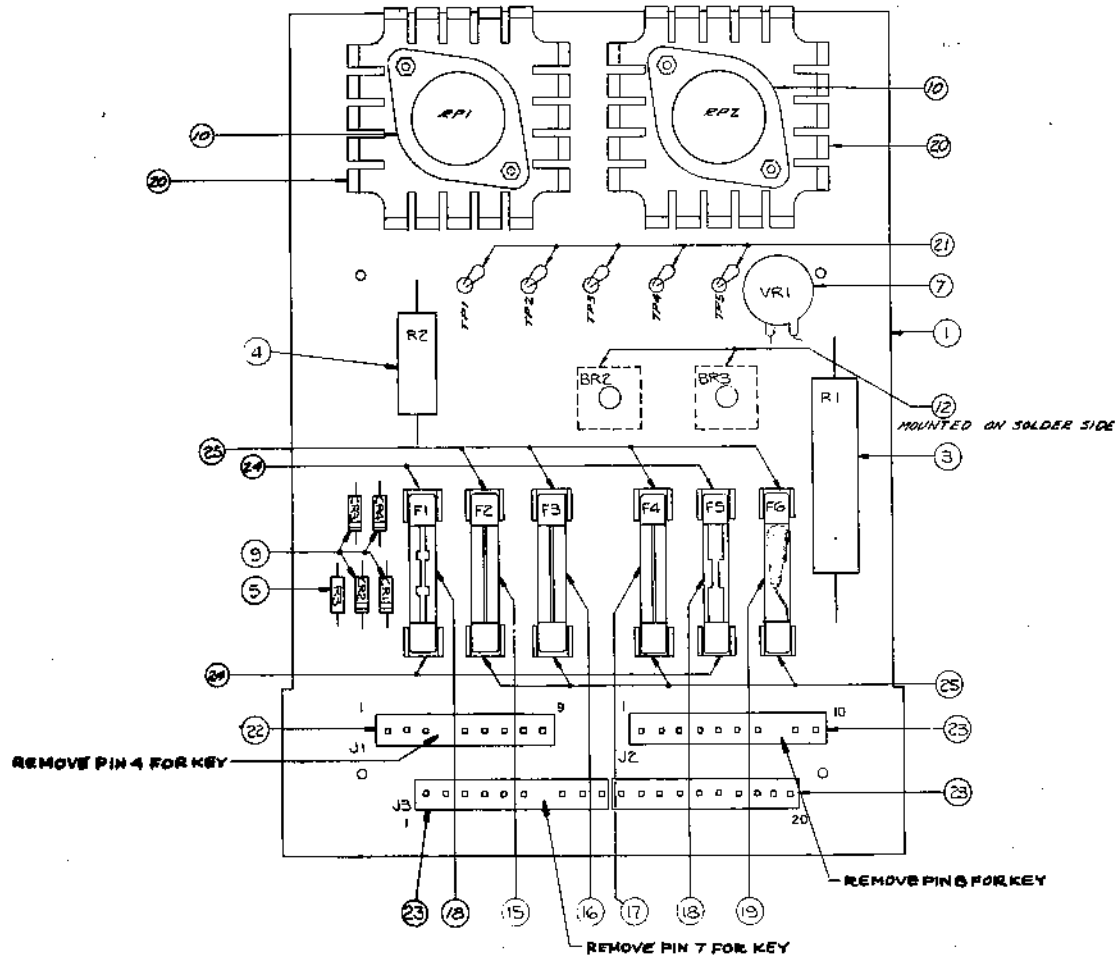
\*USED WITH ITEM 24, E-00146-0791, PLUG IN RELAY ONLY



**A2: POWER TRANSFORMER MODULE  
COMPONENT PARTS LIST**

ITEM	REFERENCE DESIGNATION	BALLY PART #	DESCRIPTION
0	A2	AS-2877-3	Power Transformer Module, Complete
1		AS-2518-49	Rectifier Board Assembly
4		M-1829-2a	Circuit Board Support (4 Req'd.)
8		E-00122-0131C	Transformer 120/240V, 50/60 Hz
11		P-2692-1b	P.C.B Cover
12		M-1834	Heat Sink Compound

## AS-2518-49 RECTIFIER BOARD ASSEMBLY



### RECTIFIER BOARD ASSEMBLY (Part of) A2: POWER TRANSFORMER MODULE COMPONENT PARTS LIST

ITEM	REFERENCE DESIGNATION	BALLY PART #	DESCRIPTION
1	P/O A2	AS-2518-49	Rectifier Board Assembly, Complete
3	R1	E-00104-0092	Resistor, 10%, 600 Ohm, 10W
4	R2	E-00104-0091	Resistor, 25 Ohm, 5W
5	R3	E-00105-0226	Resistor, 5%, 100K Ohm, 1/4W
7	VR1	E-00623	Varistor
9	CR1, CR2, CR3, CR4	E-00587-0006	Diode (IN4004)
10	RP1, RP2	E-00602-0004	Rectifier Package (R712E, VARO)
12	BR2, BR3	E-00602-0003	Bridge Rectifier (VJ248 VARO)
15	F2	E-00133-0028	Fuse, 3/4A, 250V, 3AG, S.B.
16	F3	E-00133-0004	Fuse, 4A, 32V, 3AG
17	F4	E-00133-0005	Fuse, 5A, 32V, 3AG
18	F1, F5	E-00133-0027	Fuse, 20A, 32V, 3AG
19	F6 (SEE NOTE 1)	E-00133-0024	Fuse, 3A, 125V, 3AG, S.B.
20	FOR RP1, RP2	E-00682-0011	Heatsink, 6053B
21	TP 1, 2, 3, 4, 5	P-05399	Test Point
22	J1	E-00715-0033	9 Pin Wafer Connector
23	J2, J3	E-00715-0034	10 Pin Wafer Connector
24	F1, F5	E-00148-0022	Fuse Clips
25	F 2, 3, 4, 6	E-00148-0021	Fuse Clips

NOTE 1-SPACE INVADERS USE E-00133-0032 FUSE, 5A, 250V, 3A6, S.B.



## A8: SOUND MODULE COMPONENT PARTS LIST

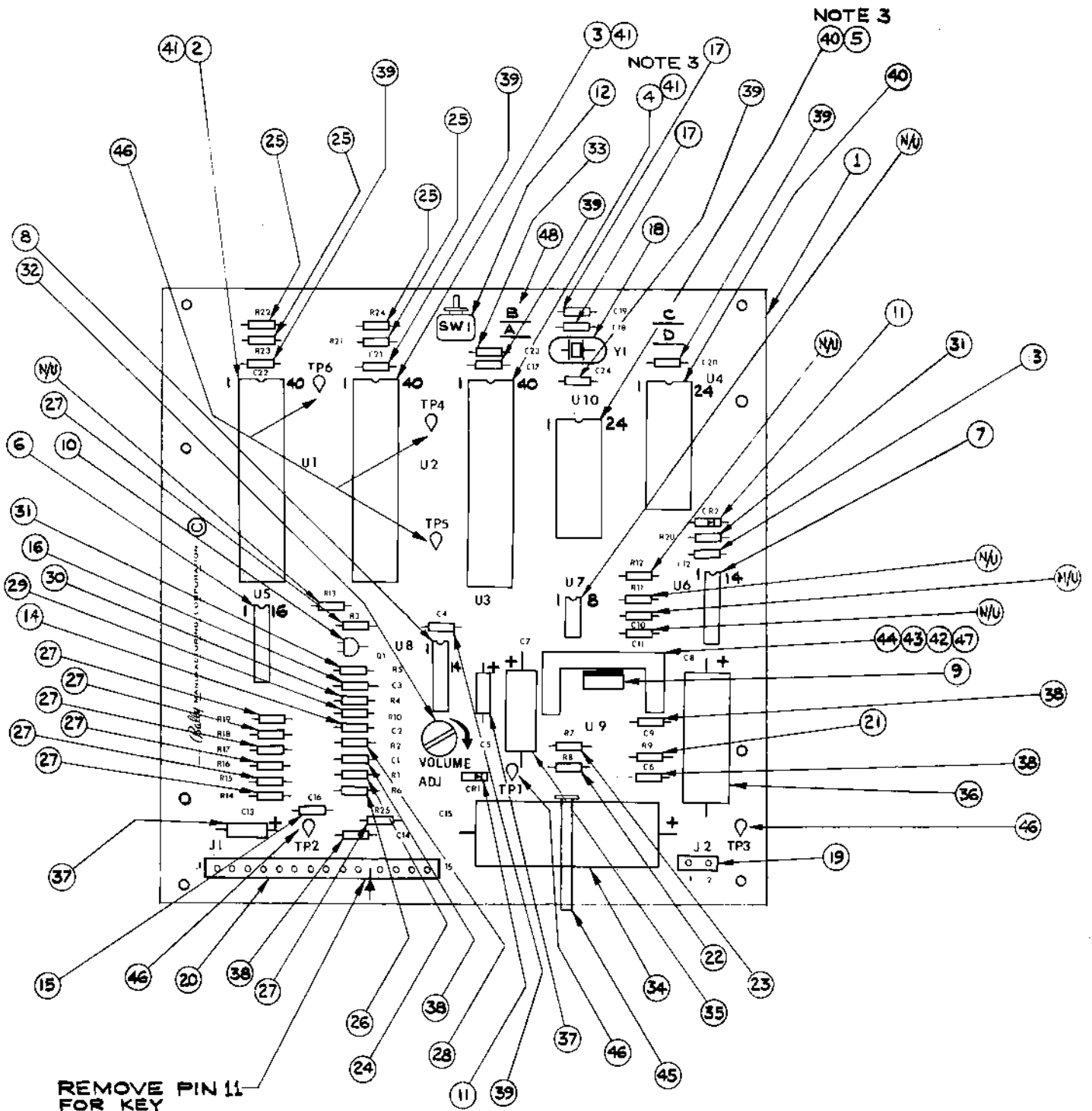
ITEM	REFERENCE DESIGNATION	BALLY PART NO.	DESCRIPTION
1	A8 (see note 1)	AS-3022-6	PWB Module Complete
2	U1	E-620-124	Sound Chip AY-3-8910
3	U2	E-620-29	PIA, 6820/21
4	U3	E-620-125 (E620-128)	CPU, 6808 (6802 Note 3)
5	U10	E-620-30	Ram, 6810 (Note 3)
6	U5	E-620-33	Hex Inverter 4049B
7	U6	E-620-5	Quad 2 Input 4011B
8	U8	E-620-126	Amp, LM3900
9	U9	E-620-127	Power Amp, TDA 2002
10	Q1	E-585-31	Transistor, 2N3904
11	CR1, 2	E-587-6	Diode, 1N4004
12	SW1	E-658-1	Switch
13	C12	E-586-118	Cap. .2MF $\pm$ 20% Y5P, 16 V.
14	C2	E-586-130	Cap. .47 $\pm$ 20%
15	C16	E-586-83	Cap. 470 PF 50 V.
16	C3	E-586-120	Cap. 68 PF, $\pm$ 20% 1K
17	C18, 19	E-586-121	Cap. 27 PF, $\pm$ 20% 1K
18	Y1	E-744-5	Crystal, 3.579545 MHZ
19	J2	E-736-2	Connector, Wafer, 2 Pin KK156
20	J1	E-736-15	Connector, Wafer, 15 Pin KK156
21	R9	E-105-196	Resistor, 1 Ohm, 1/4 W., 5%
22	R8	E-105-211	Resistor, 2.2 Ohm, 1/4 W., 5%
23	R7	E-105-303	Resistor, 220 Ohm, 1/4 W., 5%
24	R1	E-105-230	Resistor, 1 K, 1/4 W., 5%
25	R21, 22, 23, 24	E-105-238	Resistor, 3.3K. Ohm, 1/4 W., 5%
26	R6	E-105-239	Resistor, 4.7K., 1/4 W., 5%
27	R3, 14, 15, 16, 17, 18, 19, 25	E-105-185	Resistor, 10K., 1/4 W., 5%
28	R2	E-105-245	Resistor, 30K., 1/4 W., 5%
29	R10	E-105-252	Resistor, 180K., 1/4 W., 5%
30	R4	E-105-225	Resistor, 200K., 1/4 W., 5%
31	R5, 20	E-105-285	Resistor, 1M, 1/4 W., 5%
32	RT1	E-599-16	Potentiometer 1K
33	C23	E-586-122	Cap. .001 $\pm$ 20% 2SF
34	C15	E-586-123	Cap. 4700 MF @ 25 V.
35	C7	E-586-124	Cap. 470 MF @ 6.3 V
36	C8	E-586-129	Cap. 470 MF @ 16 V.
37	C5, 13	E-586-90	Cap. 1 MF @ 50 V.
38	C9, 1, 14, 6	E-586-89	Cap. .1 MF
39	C4, 22, 17, 21, 20, 24	E-586-85	Cap. .01 MF
40	XU10, XU4	E-712	Socket, 24 Pin
41	XU1, XU2, XU3	E-712-1	Socket, 40 Pin
42	Used with 43	LSPR-00632-1106	Bolt, 6 x 32 x 3/8
43	Used with 42	N-00632-2112	Nut, 6 x 32
44	H.S for U9	E-682-8	Heat Sink, 6030BTT
45	Used with C15	E-647-5	Ty Rap
46	TP1, 2, 3, 4, 5, 6	P-5399	Test Point
47	Use with 44, 9	M-1834	Thermal Grease
48	Jumper, B	W-1211c	22 AWG Wire, Solid Tinned Schematic

**NOTE 1:** When ordering specify name of game.

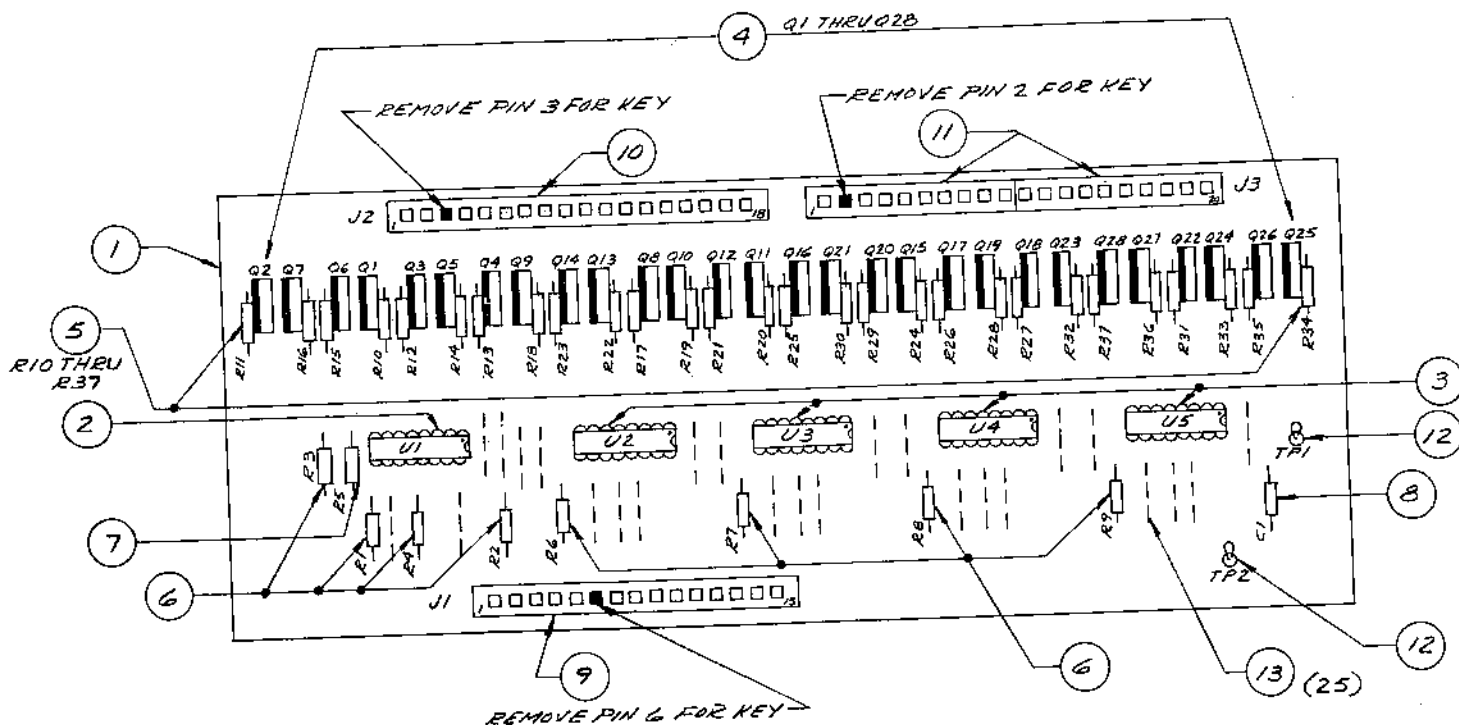
**NOTE 2:** Order replacement memory chip U4 specifying name of game and part no. stamped on chip.

**NOTE 3:** When using item 4, 6808 you must use item 5, 6810 and the "B" jumper. When item, 6802 is available delete item 5 and use "A" jumper.

# AS-2518-51 SOUND MODULE



# AS-2518-52 AUXILIARY LAMP DRIVER



## A9: AUXILIARY LAMP DRIVER COMPONENT PARTS LIST

ITEM	QTY.	REFERENCE DESIGNATION	BALLY PART NO.	DESCRIPTION
1	1		P-2948-504	P.C.B. (M-645-512)
2	1	U1	E-620-134	Quad Flip Flop
3	4	U2 Thru U5	E-620-108	BCD to Decimal Decoder
4	28	Q1 Thru Q28	E-585-29	S.C.R.
5	28	R10 Thru R37	E-105-237	Resistor, 2K $\Omega$ , 1/4 W, 5%
6	8	R1-4, R6-9	E-105-242	Resistor, 20K $\Omega$ , 1/4 W, 5%
7	1	R5	E-105-173	Resistor, 2.2M, 1/4 W, 5%
8	1	C1	E-586-85	Capacitor, .01 $\mu$ f, 25V, $\pm$ 20 %
9	1	J1	E-736-15	Connector, KK156 15 Pin
10	1	J2	E-736-18	Connector, KK156 18 Pin
11	2	J3	E-736-10	Connector, KK156 10 Pin
12	2	TP1, TP2	P-5399	Test Point
13	25		M-1777-126	Jumper

## ATTACHMENT II: INSTRUCTION MANUAL

Female insulation displacement connectors are used in the backbox cable harnesses. These connectors can be identified by the side entry of the leads and by their black, plastic covers.

The mating, white, male connectors on the Sound, Solenoid Driver and Transformer modules have .156" center to center spacing. Two pin lengths are in use. This, and all current games have a .450" length. Older games have a .640" length.

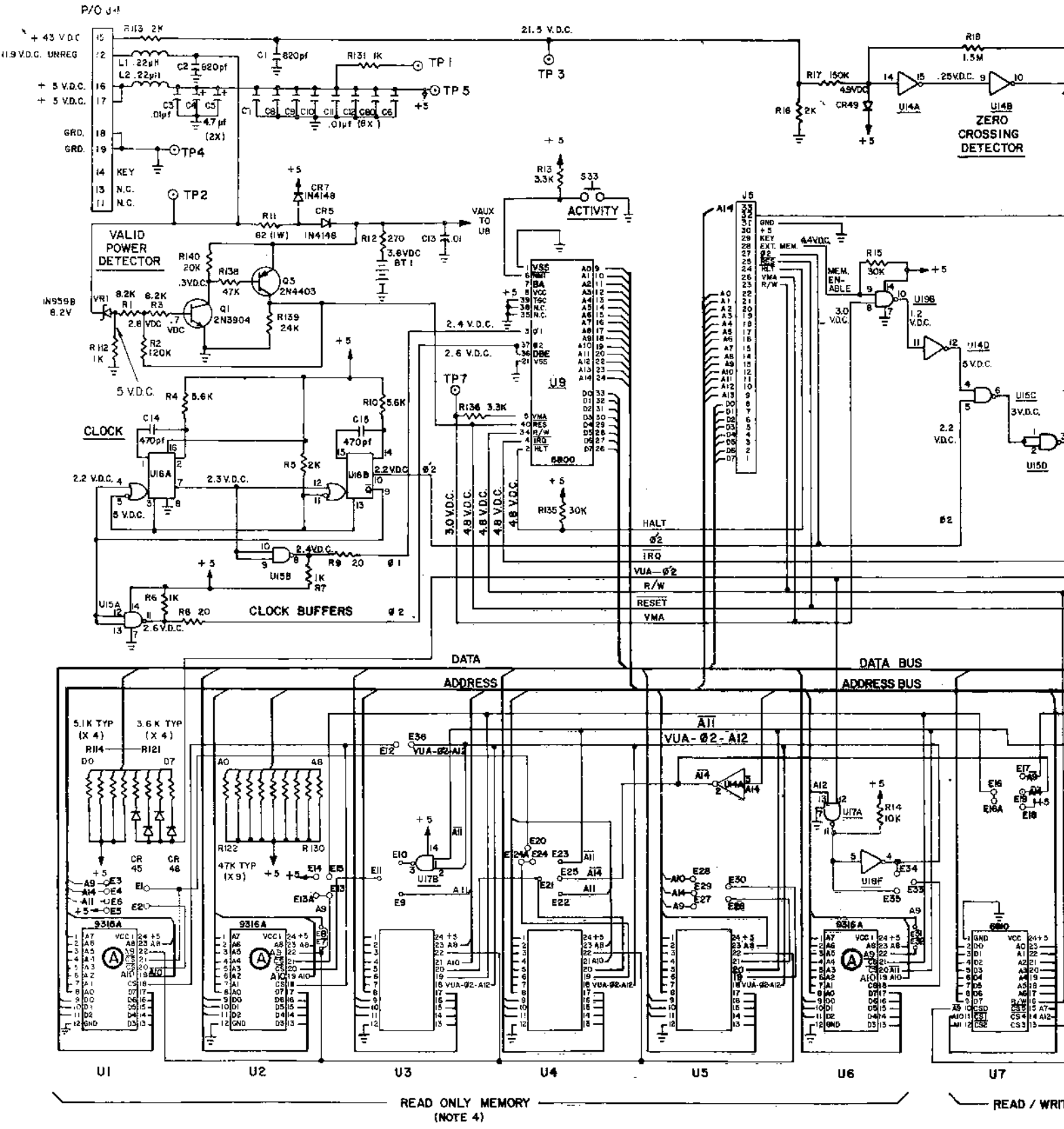
During servicing, when mating insulation displacement connectors on male connectors with a .640" pin length:

1. Hold the female connector parallel to the module surface.
2. Carefully align the openings in the female with the male pins.
3. Mate the connector set firmly but gently while maintaining the parallel relationship.
4. As resistance is encountered, stop applying force. An air gap of about .150" between the male and female connector bodies is normal at complete engagement.

**CAUTION:** It is not necessary or advisable to force the female connector further onto the male pins. Doing so may cause an intermittent connection.

When mating insulation displacement connectors on male connectors with a .450" pin length:

1. Follow steps 1-4 above, but—
2. Disregard the **CAUTION** note. Also, no air gap exists between the connector pair on total engagement.

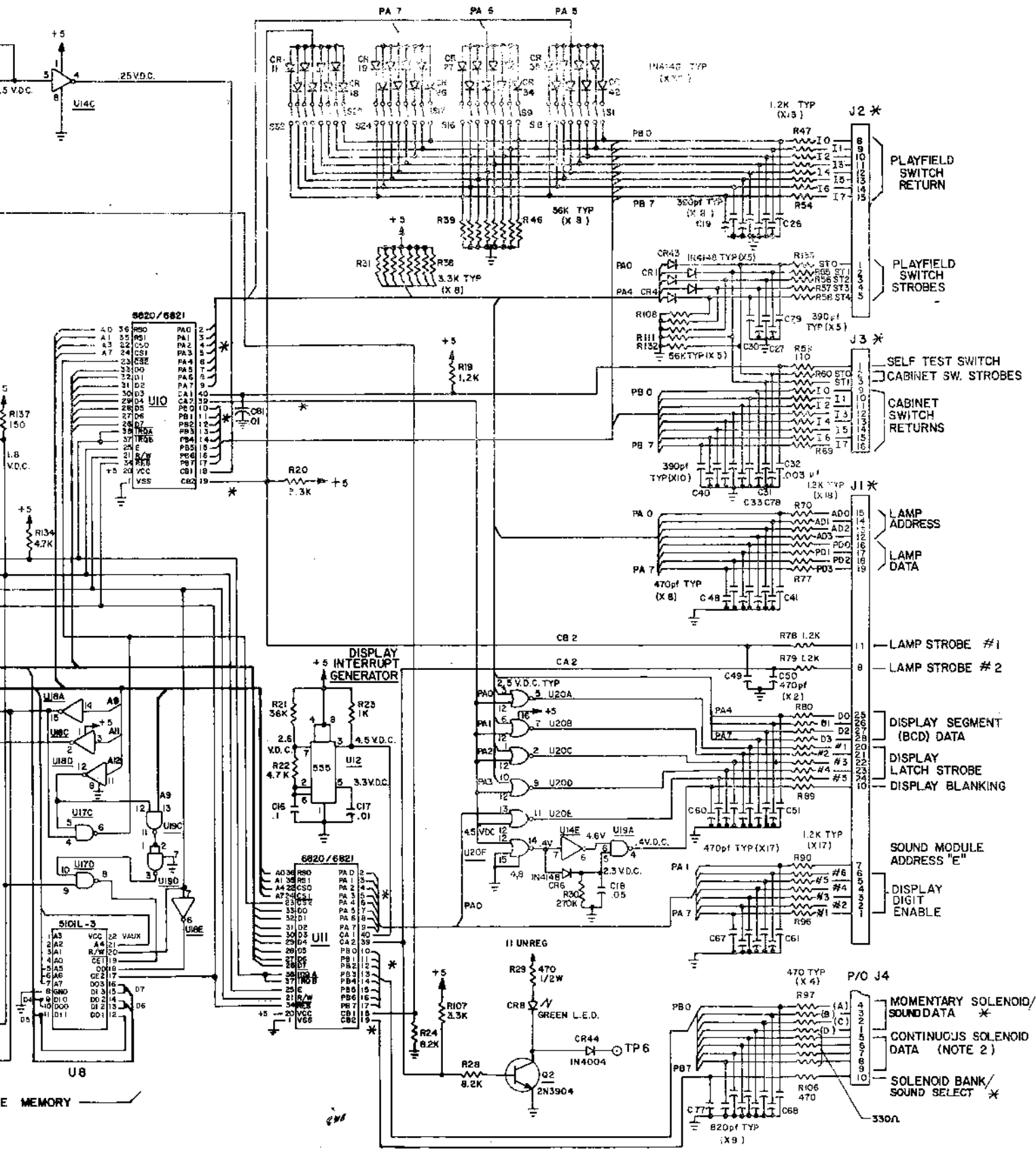


**NOTES**

1. \* INDICATES "AID" TEST POINT.
2. REMOVE A3J4 BEFORE USING AS AID TEST POINT
3. PREFIX ALL REFERENCE DESIGNATIONS WITH "A4"
4. EXACT CHIP COMPLEMENT USED IN SOCKETS U1 THRU U6 CAN VARY FOR DIFFERENT GAMES AND PRODUCTION LOTS. TABLES OF MEMORY CHIPS AND CORRESPONDING JUMPERS FOR DIFFERENT GAMES AVAILABLE FROM BALLY FIELD SERVICE DEPARTMENT.

READ ONLY MEMORY  
(NOTE 4)

READ / WRITE



ALL DESIGN OPERATOR AND PRODUCTION DATA PERTAINING TO THE ARTICLE SHOWN ON THIS SHEET IS THE PROPERTY OF BALLY MFG. CO., CHICAGO, ILL. THIS INFORMATION IS DISCLOSED IN CONFIDENCE AND IS NOT TO BE COPIED, REPRODUCED, REVERSED TO OR APPLIED BY OTHERS IN PART OR IN WHOLE, WITHOUT THE EXPRESS CONSENT OF THE OWNER. THE PRINT IS LOANED AND MUST NOT BE USED IN ANY MANNER DETRIMENTAL TO THE INTEREST OF THE OWNER, AND MUST BE RETURNED ON DEMAND.

REMOVE ALL BURNS

TOLERANCES ON DIMENSIONS UNLESS OTHERWISE SPECIFIED  
 FRACTIONS - 1/64  
 DECIMALS - .005  
 ANGLES - °

DO NOT SCALE DRAWING

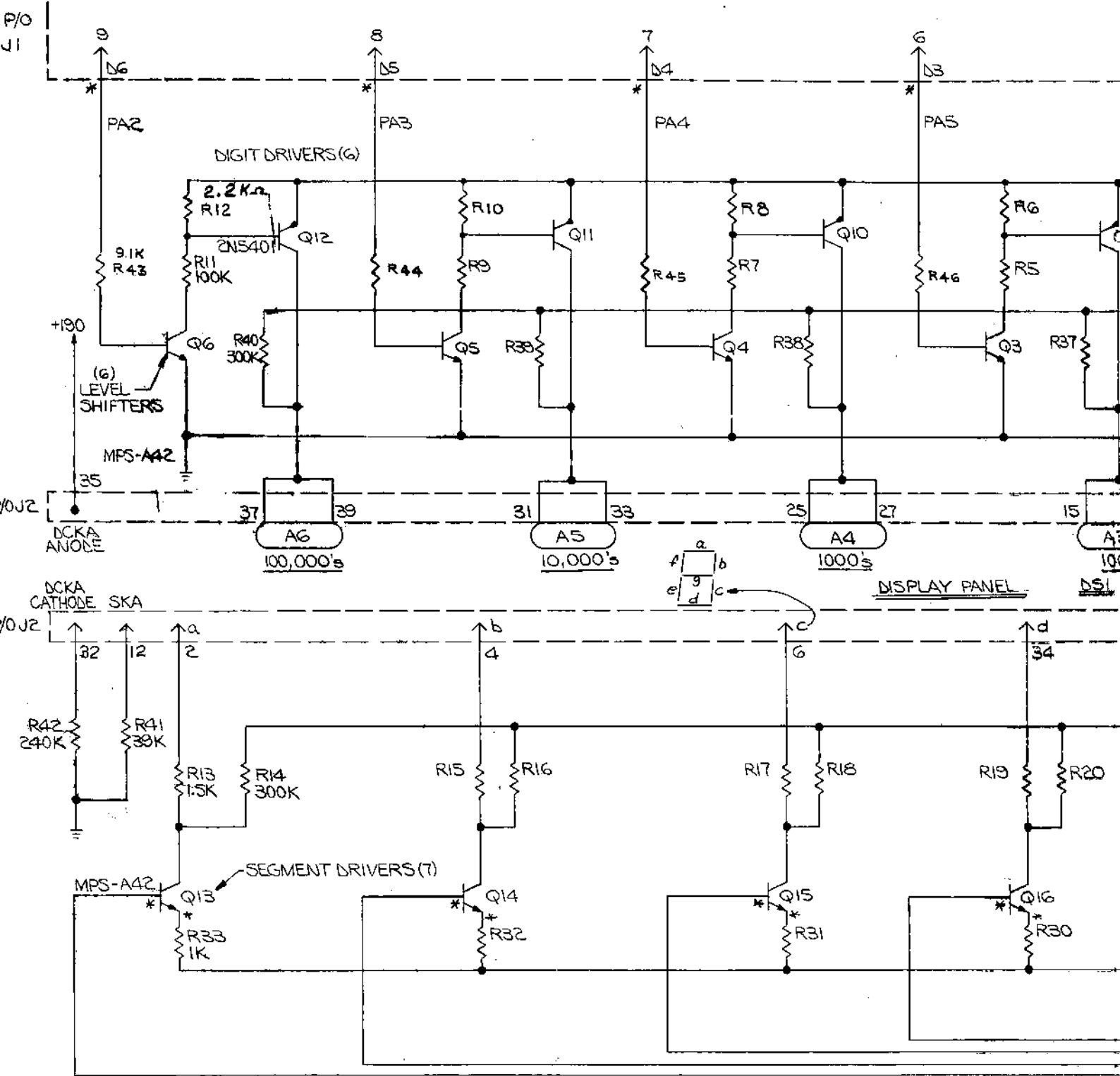
DR BY: DATE: 5-11-78  
 CK BY: DATE: 5-15-78  
 APP'D BY: DATE: 7-13-78  
 APP'D BY: DATE: 7-13-78

Bally MANUFACTURING CORP.  
 2640 BELMONT AVENUE  
 CHICAGO, ILLINOIS  
 H19-E

NAME: M.P.U. CONTROL BOARD SCHEMATIC  
 MATERIAL: PART NO: W-1181-3c

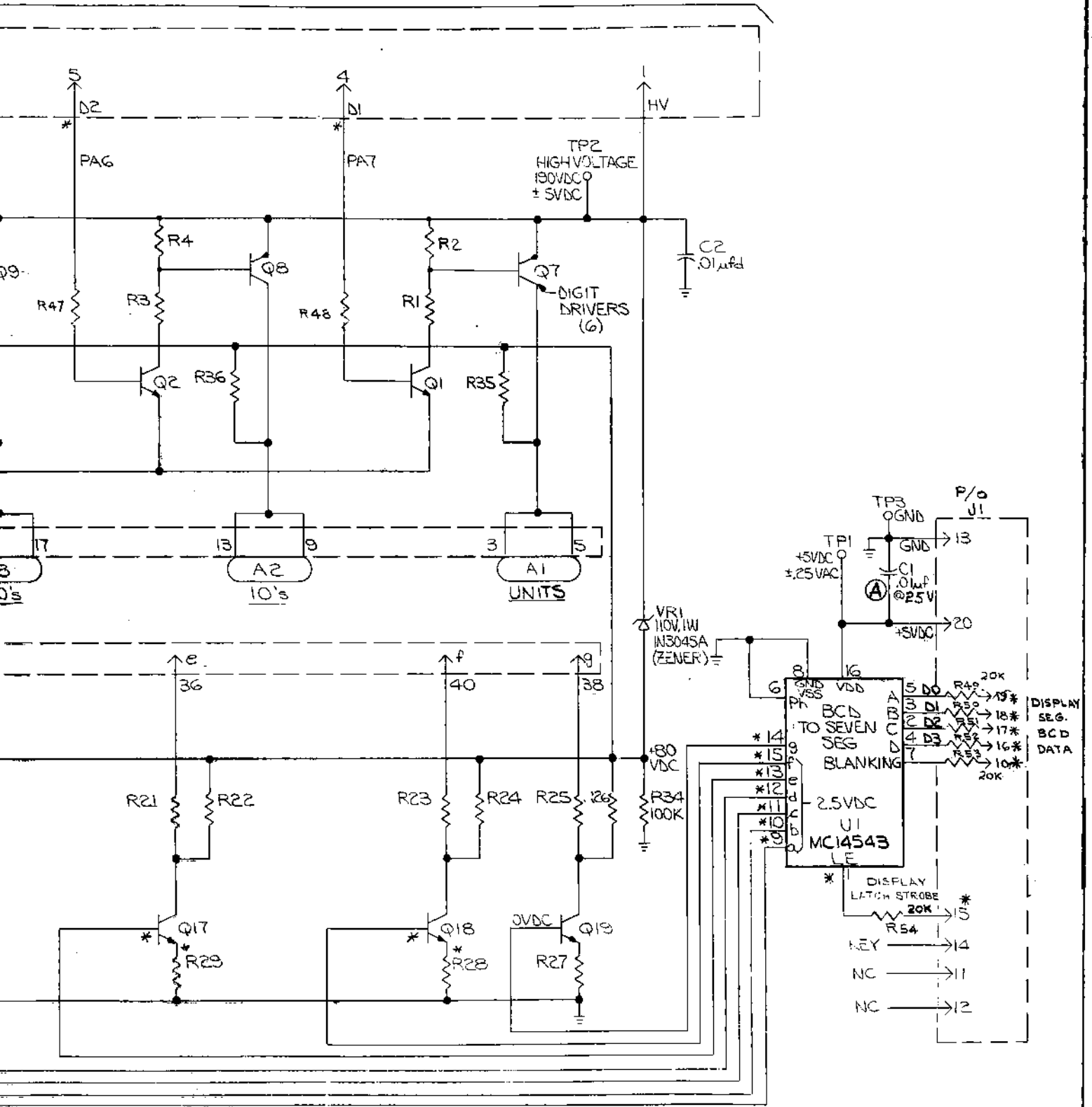
NO.	LET.	CHANGE	DATE	BY	CHK.	TOTAL	SCALE	ASSEM. NO. USED ON
1	A	A3 WGS VCC2 on U1, U2, U6 A10 WGS CS	1-7-78	JT				

DISPLAY DIGIT ENABLE



NOTES:

1. UNLESS OTHERWISE SPECIFIED ALL RESISTORS ARE  $\pm 5\%$ ,  $\frac{1}{4}W$ .
2. PREFIX ALL REFERENCE DESIG. WITH ASSEMBLY REFERENCE DESIG. "A1"
3. \* INDICATES 'AID' TEST POINT.

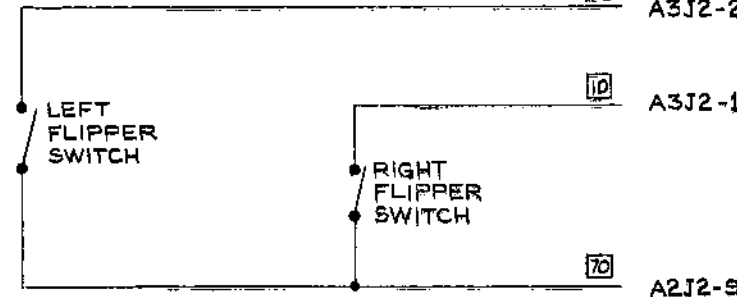
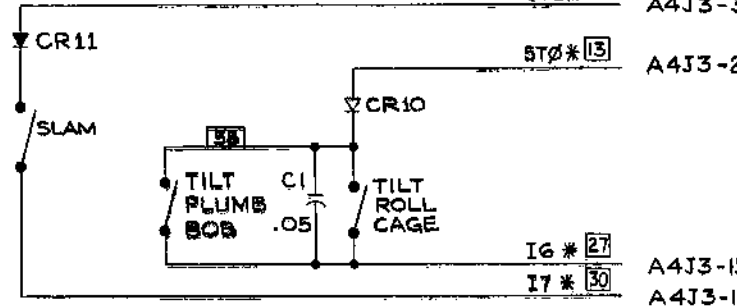
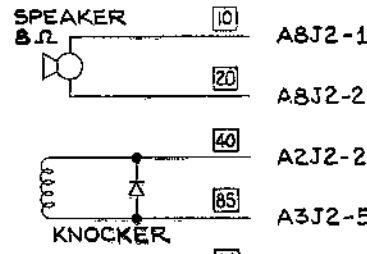
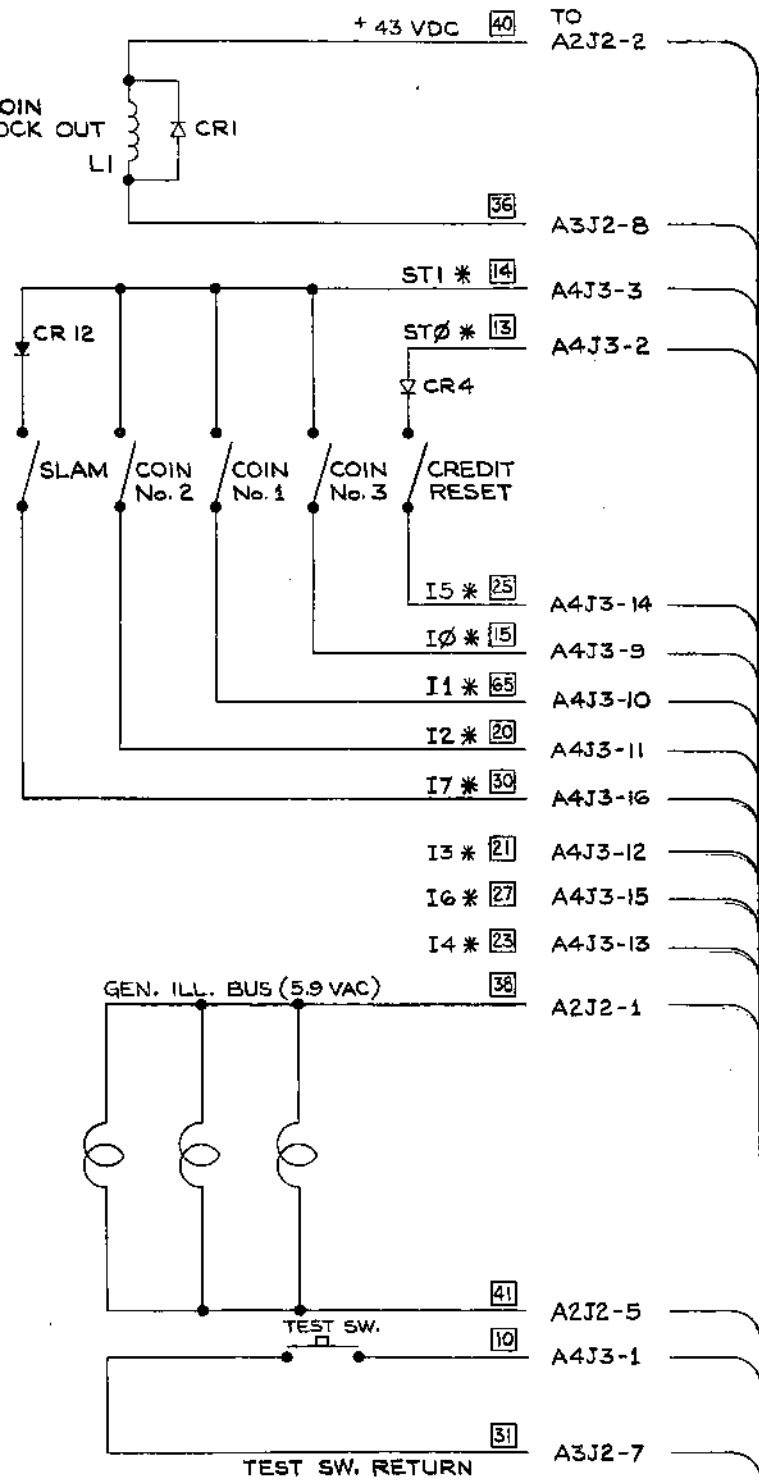


DIE SIZE — C.C. — FT. PER M — LBS. PER M —

ALL DESIGN, OPERATIVE AND PROCESS DATA PERTAINING TO THE ARTICLE SHOWN ON THIS SHEET IS THE PROPERTY OF BALLY MFG. CO., CHICAGO, ILL. THIS INFORMATION IS DISCLOSED IN CONFIDENCE AND IS NOT TO BE COPIED, REPRODUCED, REVEALED TO OR APPROPRIATED BY OTHERS, IN PART OR IN WHOLE, WITHOUT THE EXPRESS CONSENT OF THE ORIGINAL OWNER. THE PRINT IS LOANED AND MUST NOT BE USED IN ANY MANNER DETRIMENTAL TO THE INTEREST OF THE OWNER, AND MUST BE RETURNED ON DEMAND.

<p>REMOVE ALL BURS</p> <p>TOLERANCES ON DIMENSIONS UNLESS OTHERWISE SPECIFIED</p> <p>FRACTIONS ±</p> <p>DECIMALS ±</p> <p>ANGLES ±</p> <p>DO NOT SCALE DRAWING</p>		<p>DR. BY DATE</p> <p>CHK. BY DATE</p> <p>APP. BY DATE</p> <p>PRNT. CONTROL</p> <p>DATE</p> <p>FINISH</p> <p>HARDENING</p>	<p><b>Bally MANUFACTURING CORP #1120-E</b></p> <p>2640 BELMONT AVENUE CHICAGO, ILLINOIS</p> <p>ALL NOVELTIES</p> <p>NAME: DISPLAY BOARD SCHEMATIC (A)</p> <p>MATERIAL:</p>	<p>TOTAL</p> <p>SCALE</p> <p>ASSEM. NO. USED DR. IN</p> <p>PART NO.</p>																
1	A	WAS 500V	4-6-79	J.D.																
NO.	LET.	CHANGE	DATE	BY	CHK.															





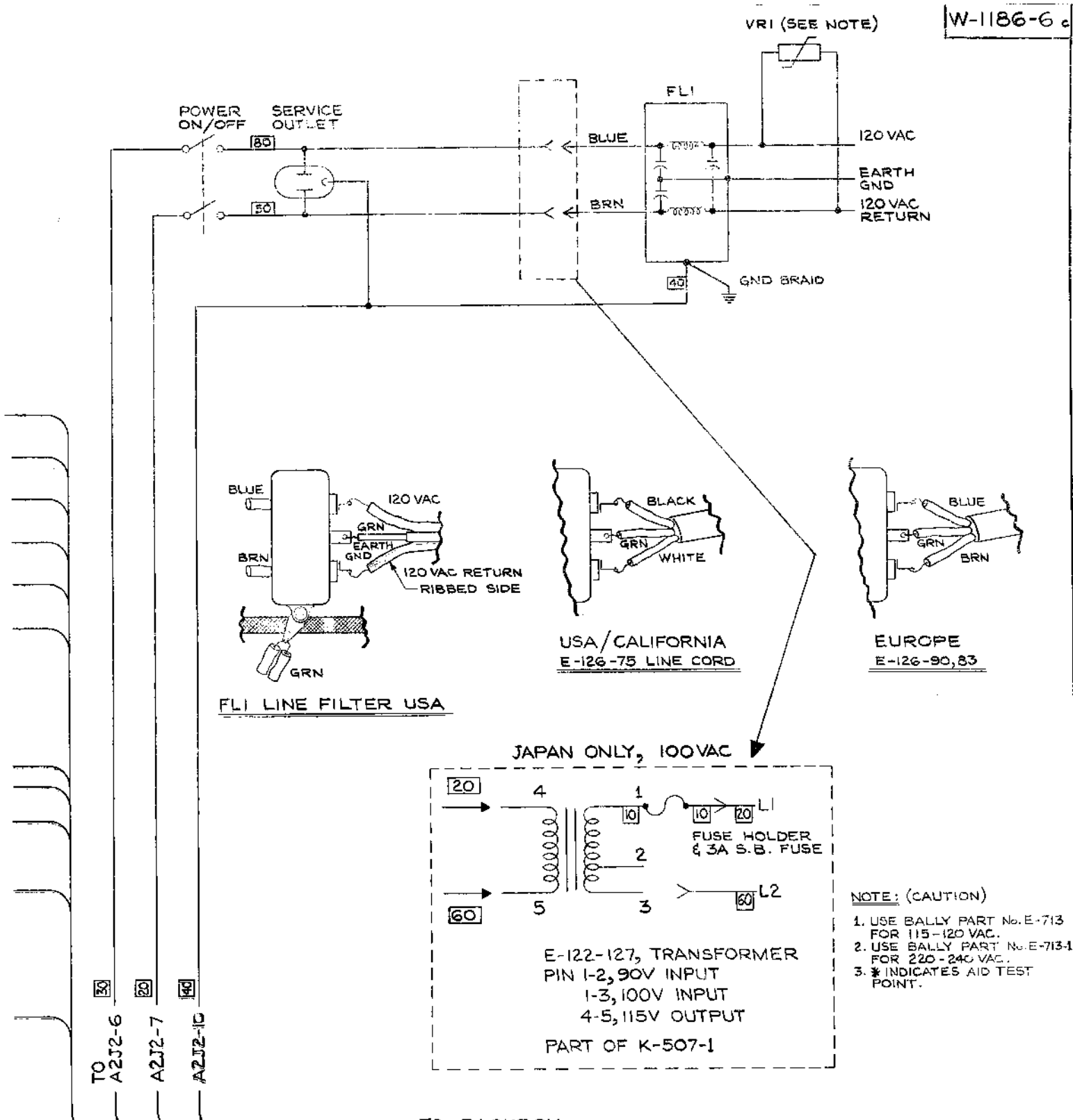
J1

TO	J1 PIN	TO	J1 PIN
A4J3-9	1	A4J3-3	11
A4J3-10	2	A2J2-2	15
A4J3-11	3	A3J2-8	16
A4J3-12	4	A2J2-1	17
A4J3-13	5	A2J2-5	18
A4J3-14	6	A4J3-1	19
A4J3-15	7	A3J2-7	20
A4J3-16	8		
A4J3-2	10		

DOOR PLUG

A7 CABINET A  
NOTE: - DIODES ARE

NO.	DESCRIPTION	TOOL No.

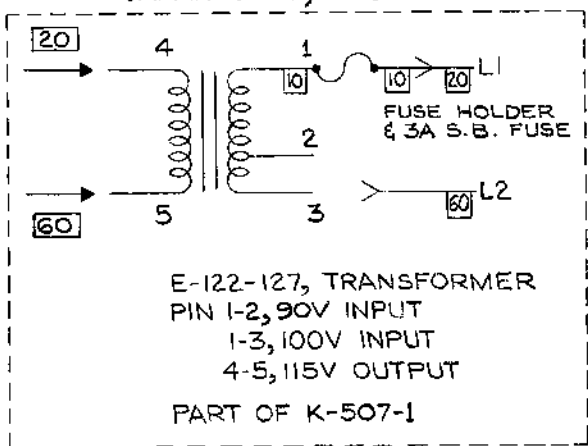


FLI LINE FILTER USA

USA/CALIFORNIA  
E-126-75 LINE CORD

EUROPE  
E-126-90,83

JAPAN ONLY, 100VAC



E-122-127, TRANSFORMER  
PIN 1-2, 90V INPUT  
1-3, 100V INPUT  
4-5, 115V OUTPUT  
PART OF K-507-1

- NOTE: (CAUTION)
1. USE BALLY PART No. E-713 FOR 115-120 VAC.
  2. USE BALLY PART No. E-713-1 FOR 220-240 VAC.
  3. \* INDICATES AID TEST POINT.

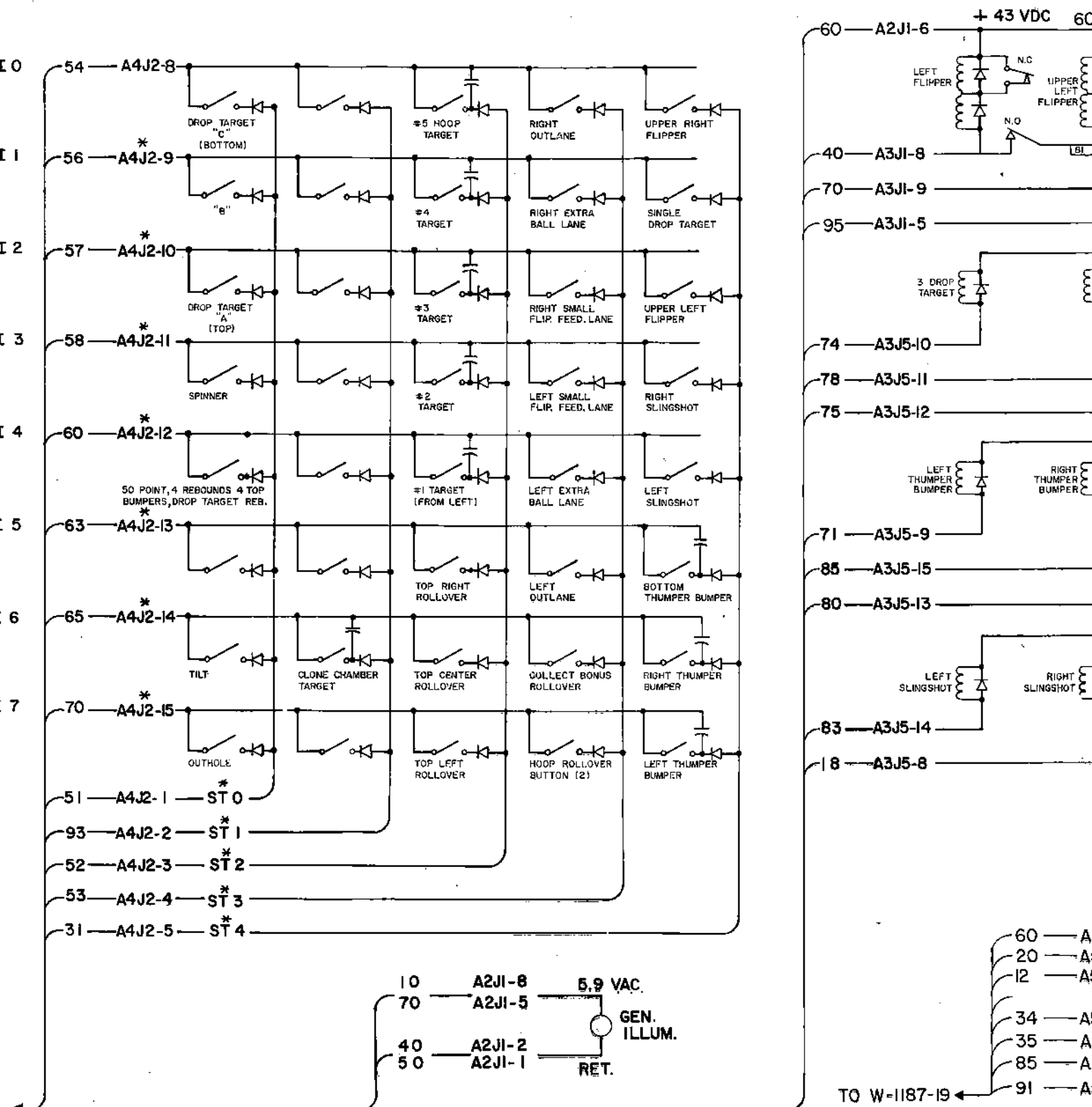
TO A2J2-6  
A2J2-7  
A2J2-10

TO BACKBOX

SS'Y, WIRING  
E IN4004, (E-587-6)

ALL DESIGN OPERATIONS AND PATENTS ARE RESERVED BY THE ARTIST. THIS DRAWING IS THE PROPERTY OF BALLY MFG. CORP., CHICAGO, ILL. THIS DRAWING IS NOT TO BE COPIED, REPRODUCED, RELEASED TO ANY EMPLOYEE OF BALLY, IN FULL OR IN PART, WITHOUT THE EXPRESS WRITTEN PERMISSION OF THE ARTIST. THE PRINT IS LOANED TO YOU BUT NOT TO BE REPRODUCED OR TRANSMITTED IN ANY FORM OR BY ANY MEANS, ELECTRONIC OR MECHANICAL, INCLUDING PHOTOCOPYING, RECORDING, OR BY ANY INFORMATION STORAGE AND RETRIEVAL SYSTEM.

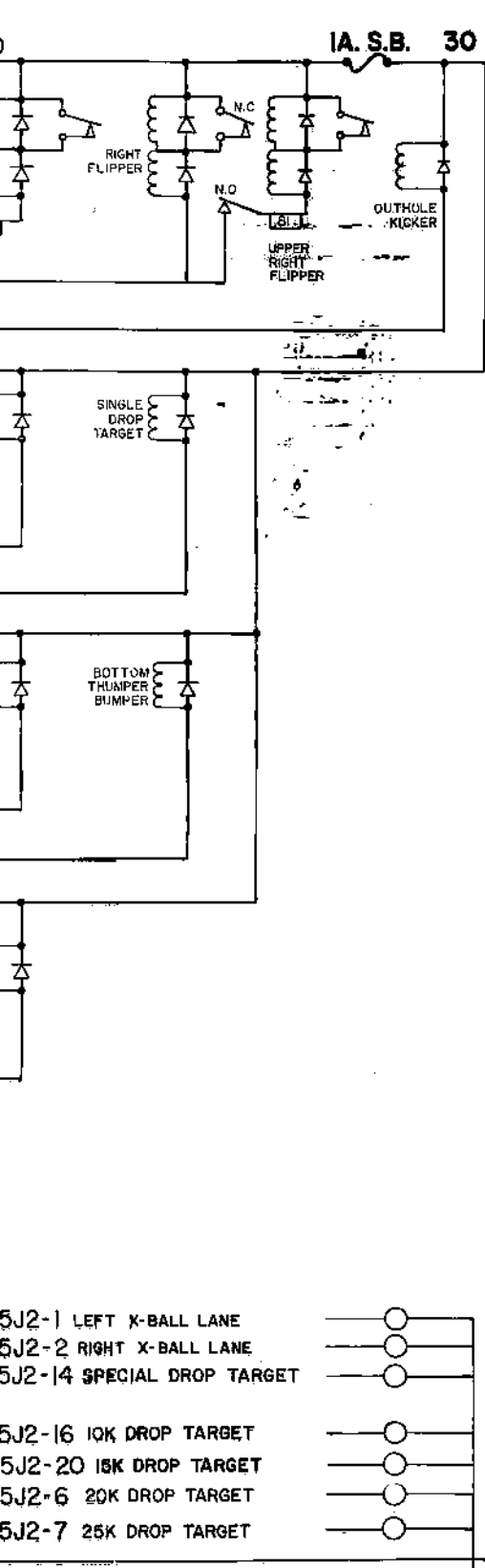
REMOVE ALL BURRS				DR. BY DATE E.V. 3-28-79		Bally MANUFACTURING CORP. 2640 BELMONT AVENUE CHICAGO, ILLINOIS 1161-E	
TOLERANCES ON DIMENSIONS UNLESS OTHERWISE SPECIFIED FRACTIONS & DECIMALS & ANGLES & DO NOT SCALE DRAWING				AP'D BY DATE J.D. 4-5-79		PRINT CONTROL	
LET. CHANGE DATE BY CK.				AP'D BY DATE E.V. 4-5-79		NAME WIRING DIAGRAM ELECTRONIC	
				MATERIAL		ASSEM. NO. PART No. W-1186-6 c	



**PLAYFIELD A6**

**NOTES**

1. INDICATES NOT USED
  2. N/U = NOT USED ON PLAYFIELD
  3. \*INDICATES AID TEST POINT
  4. COIL DIODES ARE IN4004 (E-587-6), SWITCH DIODES ARE IN 41
- ALL CAPACITORS ARE .05 MFD. (E-586-80)



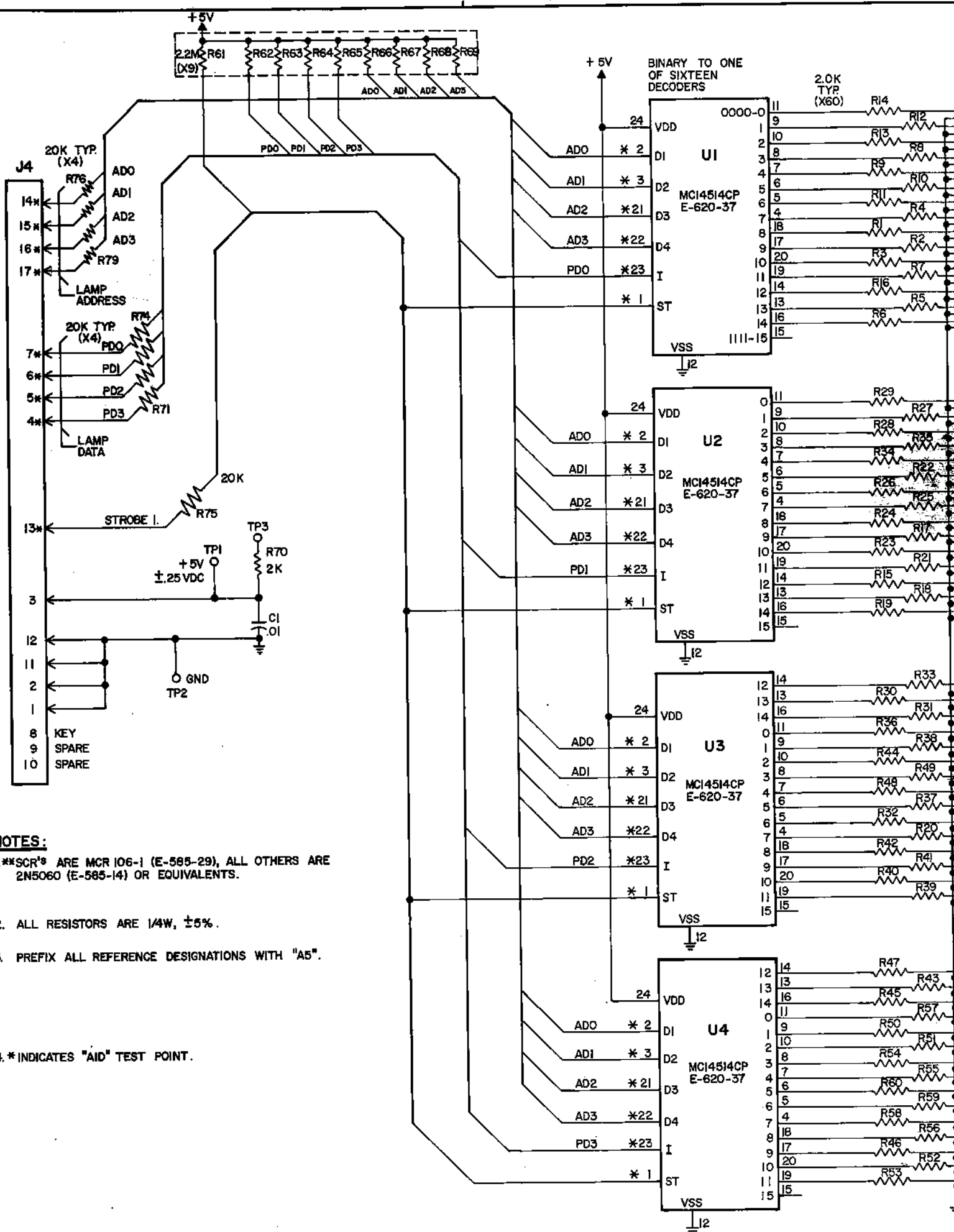
- 58 — A5J1-18 1K BONUS
- 60 — A5J1-19 5K BONUS
- 57 — A5J1-17 9K BONUS
- 56 — A5J1-23 2X HOOP
- 54 — A5J1-14 20K (1-5)
- 13 — A5J1-15 25K HOOP
- 12 — A5J1-16 #1 TARGET (FROM LEFT)
- 78 — A5J1-28 #5 HOOP TARGET
- 50 — A5J1-24 10K CLONE CHAMBER
- 90 — A5J1-25 50K CLONE CHAMBER
- 91 — A5J1-26 N/U
- 53 — A5J1-27 5K HOOP
- 41 — A5J1-1 2K BONUS
- 52 — A5J1-9 6K BONUS
- 51 — A5J1-8 10K BONUS
- 45 — A5J1-3 3X HOOP, 2X BONUS
- 43 — A5J1-2 40K (1-5)
- 23 — A5J1-10 TOP LEFT ROLLOVER
- 34 — A5J1-7 #2 TARGET
- 25 — A5J1-6 BONUS INCREASE 50,000 ARROW
- 48 — A5J1-5 20K CLONE CHAMBER
- 65 — A5J1-11 TARGET INCREASE 50,000 ARROW
- 35 — A5J1-4 N/U
- 61 — A5J1-12 SPECIAL RIGHT HOOP
- 96 — A5J1-13 RIGHT SMALL FLIP. FEED. LANE
  
- 38 — A5J3-26 3K BONUS
- 36 — A5J3-25 7K BONUS
- 67 — A5J3-19 20K BONUS
- 27 — A5J3-17 4X HOOP, 3X BONUS
- 25 — A5J3-16 60K (1-5)
- 98 — A5J3-23 TOP CENTER ROLLOVER
- 40 — A5J3-27 #3 TARGET
- 30 — A5J3-21 30K CLONE CHAMBER
- 64 — A5J3-20 #5 TARGET ARROW
- 23 — A5J3-22 S.R. SHOOTS AGAIN
- 72 — A5J3-24 SPECIAL LEFT HOOP
- 10 — A5J3-1 4K BONUS
- 21 — A5J3-12 8K BONUS
- 53 — A5J3-15 5X BONUS
- 20 — A5J3-11 5X HOOP, 4X BONUS
- 15 — A5J3-9 SPECIAL (1-5)
- 13 — A5J3-13 CREDIT INDICATOR
- 14 — A5J3-4 #4 TARGET
- 95 — A5J3-2 LEFT SMALL FLIP. FEED. LANE
- 91 — A5J3-10 40K CLONE CHAMBER
- 56 — A5J3-18 TOP CLONE CHAMBER
- 81 — A5J3-3 TOP RIGHT ROLLOVER
- 84 — A5J3-14 SPINNER 1000
- 20 — A2J1-7 FEATURE LAMP BUS

5.4 VDC

48, (E-587-14)

ALL DESIGN, OPERATIVE AND PROCESS DATA PERTAINING TO THE ARTICLE SHOWN ON THIS SHEET IS THE PROPERTY OF BALLY MFG. CORP., CHICAGO, ILL. THIS INFORMATION IS ENCLOSED IN CONFIDENCE AND IS NOT TO BE COPIED, REPRODUCED, REVEALED TO OR APPROPRIATED BY OTHERS, IN PART OR IN WHOLE, WITHOUT THE EXPRESS CONSENT OF THE OWNERS. THE PRINT IS LOANED AND MUST NOT BE USED IN ANY MANNER DETRIMENTAL TO THE INTEREST OF THE OWNERS, AND MUST BE RETURNED ON DEMAND.

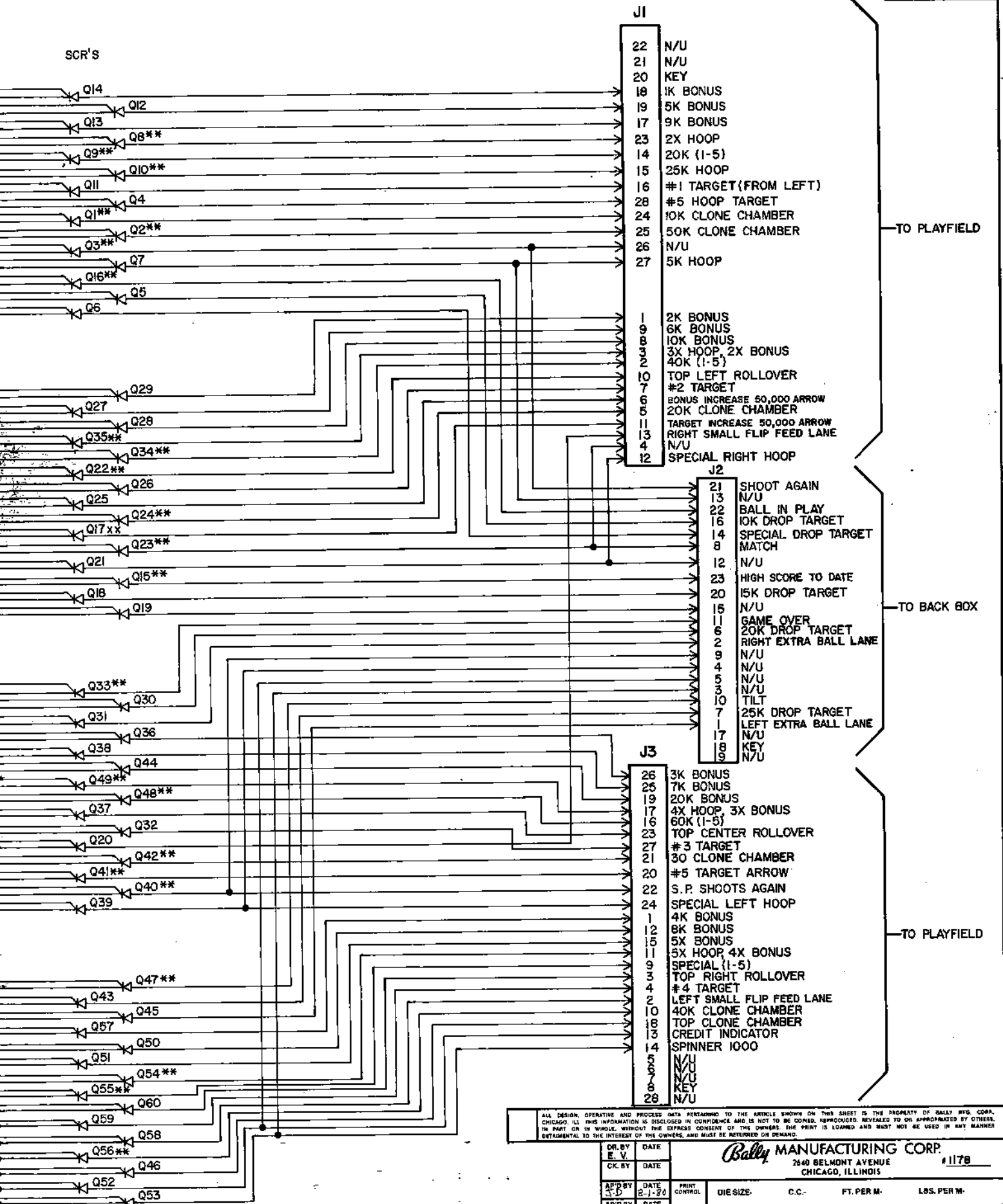
DR. BY	DATE	Bally MANUFACTURING CORP.										
E.V.	2-1-80	2640 BELMONT AVENUE										
CK. BY	DATE	CHICAGO, ILLINOIS										
	2-1-80	1178										
APD BY	DATE	PRINT	CONTROL	CHK	CHK	CHK	CHK	CHK	CHK	CHK	TOTAL	SCALE
J.D.	2-1-80											
APD BY	DATE	NAME										
U.S.M.	2-1-80	SWITCH MATRIX										
FINISH:		ASSEM. NO. USED ON/W										
HARDENING:		MATERIAL										
		SPACE INVADERS										
		PART NO.										
		W-1192-19c										



**NOTES:**

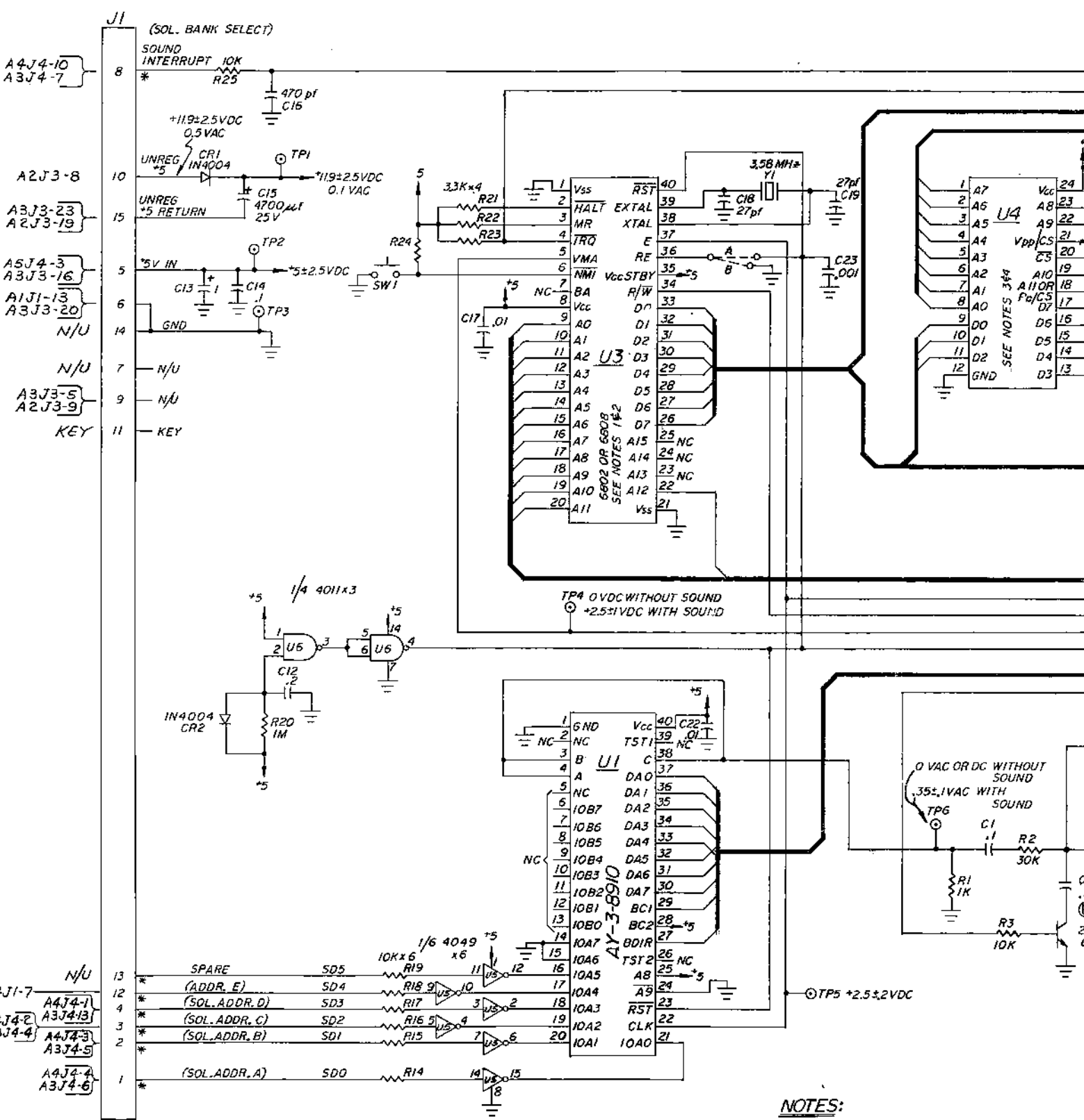
1. \*SCR\* ARE MCR 106-1 (E-585-29), ALL OTHERS ARE 2N5060 (E-585-14) OR EQUIVALENTS.
2. ALL RESISTORS ARE 1/4W, ±5%.
3. PREFIX ALL REFERENCE DESIGNATIONS WITH "A5".
4. \* INDICATES "AID" TEST POINT.

OPER.	DEPT.	DESCRIPTION	TOOL NO.

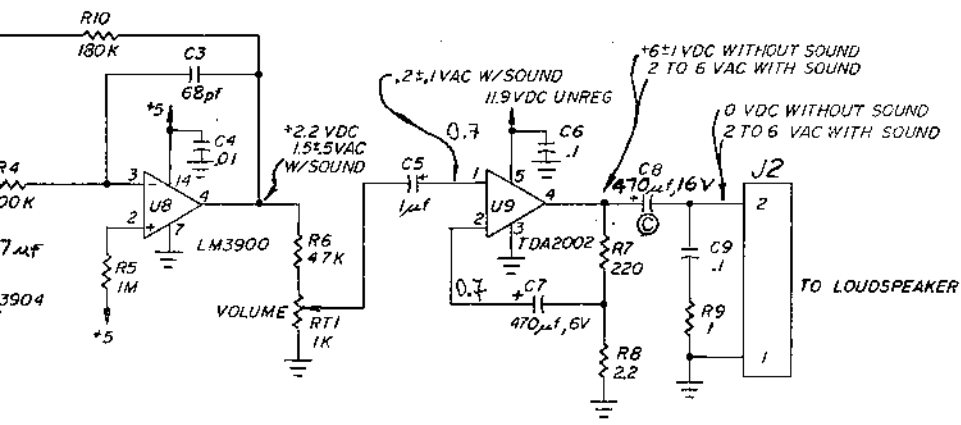
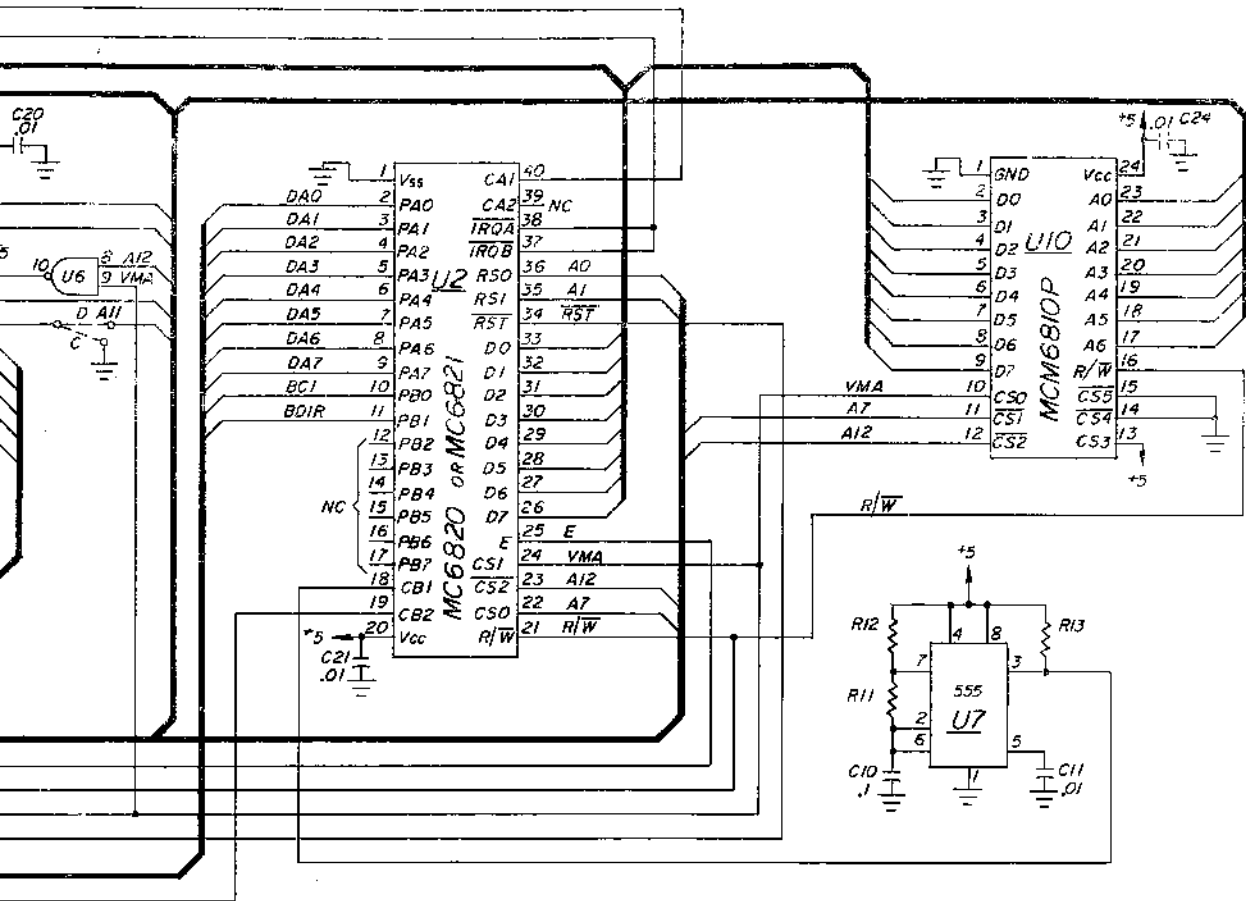


ALL DESIGN, OPERATING AND PROCESS DATA PERTAINING TO THE ARTICLE SHOWN ON THIS SHEET IS THE PROPERTY OF BALLY MFG. CORP. CHICAGO, ILL. THIS INFORMATION IS DISCLOSED IN CONFIDENCE AND IS NOT TO BE COPIED, REPRODUCED, REVEALED TO OR APPROPRIATED BY OTHERS, IN PART OR IN WHOLE, WITHOUT THE EXPRESS CONSENT OF THE OWNERS. THE PRINT IS LOANED AND MUST NOT BE USED IN ANY MANNER DETAACHMENTAL TO THE INTEREST OF THE OWNERS, AND MUST BE RETURNED ON DEMAND.

DR. BY E. V.	DATE	<b>Bally MANUFACTURING CORP.</b> 2640 BELMONT AVENUE #117B CHICAGO, ILLINOIS					
CK. BY	DATE						
AP'D BY J.D.	DATE 2-1-80	PRINT CONTROL	DIE SIZE	C.C.	FT. PER M.	LBS. PER M.	
AP'D BY J.M.	DATE 1-1-80	NAME <b>A5 LAMP DRIVER SCHEMATIC</b>				ASSEM. NO. USED	SCALE
FINISH:	MATERIAL <b>SPACE INVADERS</b>				PART NO. <b>W-1182-23c</b>		
HARDENING:	CODE						



- NOTES:**
1. USE JUMPER A IF INTERNAL RAM IS USED
  2. " " B " EXTERNAL " " "
  3. " " C " 2K ROM (EPROM) " "
  4. " " D " 4K " " "
  5. U1, R12, R11, R13, C10, C11 NOT USED ON THIS BOARD
  6. UNLESS OTHERWISE INDICATED, ALL RESISTOR VALUES ARE IN OHMS. ALL CAPACITOR VALUES ARE IN MMFD'S.
  7. PREFIX ALL REFERENCE DESIGNATIONS WITH BOARD NUMBER
  8. \* INDICATES "AID" TEST POINT.

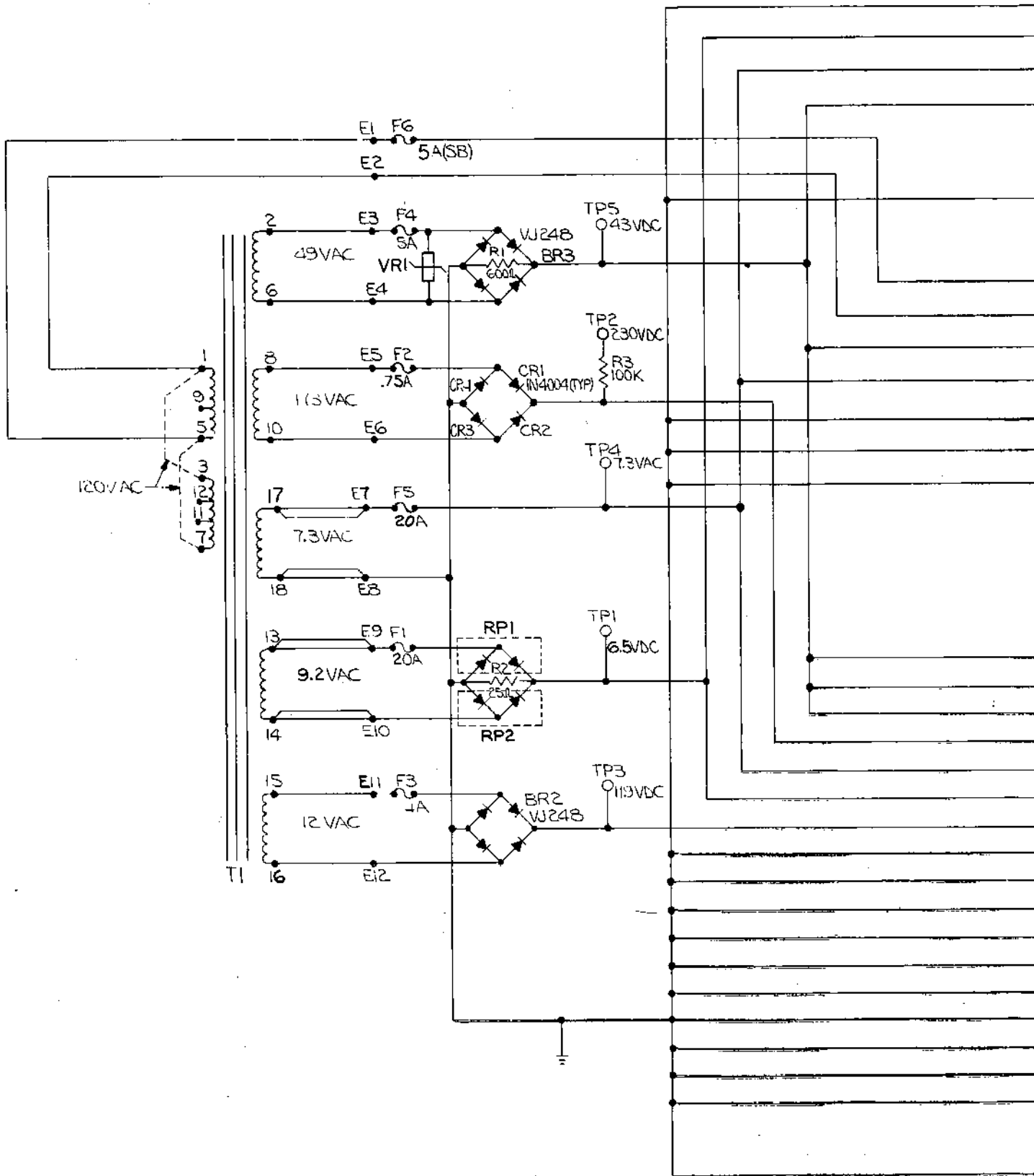


ED (6802 WITHOUT UIO).  
 (6808/6810, UIO).  
 (G1) 9316B INTEL 2716 OR EQUIV.  
 (T1) TMS 2532 TMS 4732 OR EQUIV.  
 ASSEMBLY  
 RESISTOR VALUES ARE IN OHMS,  
 CAPACITOR VALUES ARE IN P.F.  
 DIMENSIONS ARE IN INCHES  
 UNLESS OTHERWISE SPECIFIED

REMOVE ALL BURS		DR. BY	DATE	Bally MANUFACTURING CORP. 1173			
TOLERANCES UNLESS OTHERWISE SPECIFIED		CR. BY	DATE	2640 BELMONT AVENUE CHICAGO, ILLINOIS			
DIMENSIONS UNLESS OTHERWISE SPECIFIED		APPROV. BY	DATE	PRINT CONTROL	DIE SIZE	C.C.	FT. PER M.
FRACTIONS ± .008		DATE	DATE				LBS. PER M.
DECIMALS ± .003		DATE	DATE	NAME COMPUTER SOUND MODULE AB SCHEMATIC		ASSEM. NO. USED 45-2518-51	SCALE
EXCEPT HOLE DIA.'S		DATE	DATE	MATERIAL		PART NO.	
ANGLES ± 1/2°		DATE	DATE	CODE		W-1211 c	
DO NOT SCALE DRAWING		HARDENING:					
NO.	LET.	CHANGE	DATE	BY			



# TRANSFORMER ASSEMBLY A2



- J1  
PLAYFIELD
- 9 SW. ILL. BUS.
  - 1 GEN. ILL. RET.
  - 7 SW. ILL. BUS.
  - 8 GEN. ILL. BUS.
  - 6 SOLENOID BUS.
  - 4 KEY
  - 3 SPARE
  - 5 GENERAL ILL. BUS
  - 2 GENERAL ILL. RET.

- J2  
CABINET
- 6 A.C. POWER
  - 7 A.C. RET
  - 2 SOLENOID BUS
  - 1 GEN. ILL. BUS.
  - 5 GEN. ILL. RET.
  - 9 FLIP SW. RET.
  - 10 POWER LINE GRD
  - 3 SPARE
  - 4 SPARE
  - 8 KEY

- J3  
BACKBOX
- 9 RELAY
  - 12 Z.C. INPUT, A4J4-15
  - 13 SOLENOID BUS.
  - 5 TO REG (190) INPUT
  - 11 GEN. ILL BUS
  - 6 SW. ILL BUS
  - 5 TO REG (+5) INPUT
  - 2 GEN. ILL. RET.
  - 3 SW. LAMP RET.
  - 4 SW. LAMP RET
  - 14 SW. LAMP RET.
  - 15 TO REG (+5) RET.
  - 16 TO REG 190 RET.
  - 17 TO REG +5 FILT RET.
  - 18 TO REG (190) FILT RET.
  - 19 SOLENOID RET. BUS.
  - 20 SOLENOID RET. BUS.
  - 10 GEN. ILL. BUS.
  - 7 KEY
  - 1 GEN. ILL. RET.

ABJ1-10  
ASJ3-12

NOTES:  
 1. WIRE A.C. POWER AND TERMINALS PER TABLE 1.  
 2. VOLTAGES SHOWN ARE FOR GAME IN POWER-UP CONDITION.  
 3. PREFIX ALL REFERENCE DESIGNATIONS WITH A2.

TABLE 1  
POWER LINE CONNECTIONS

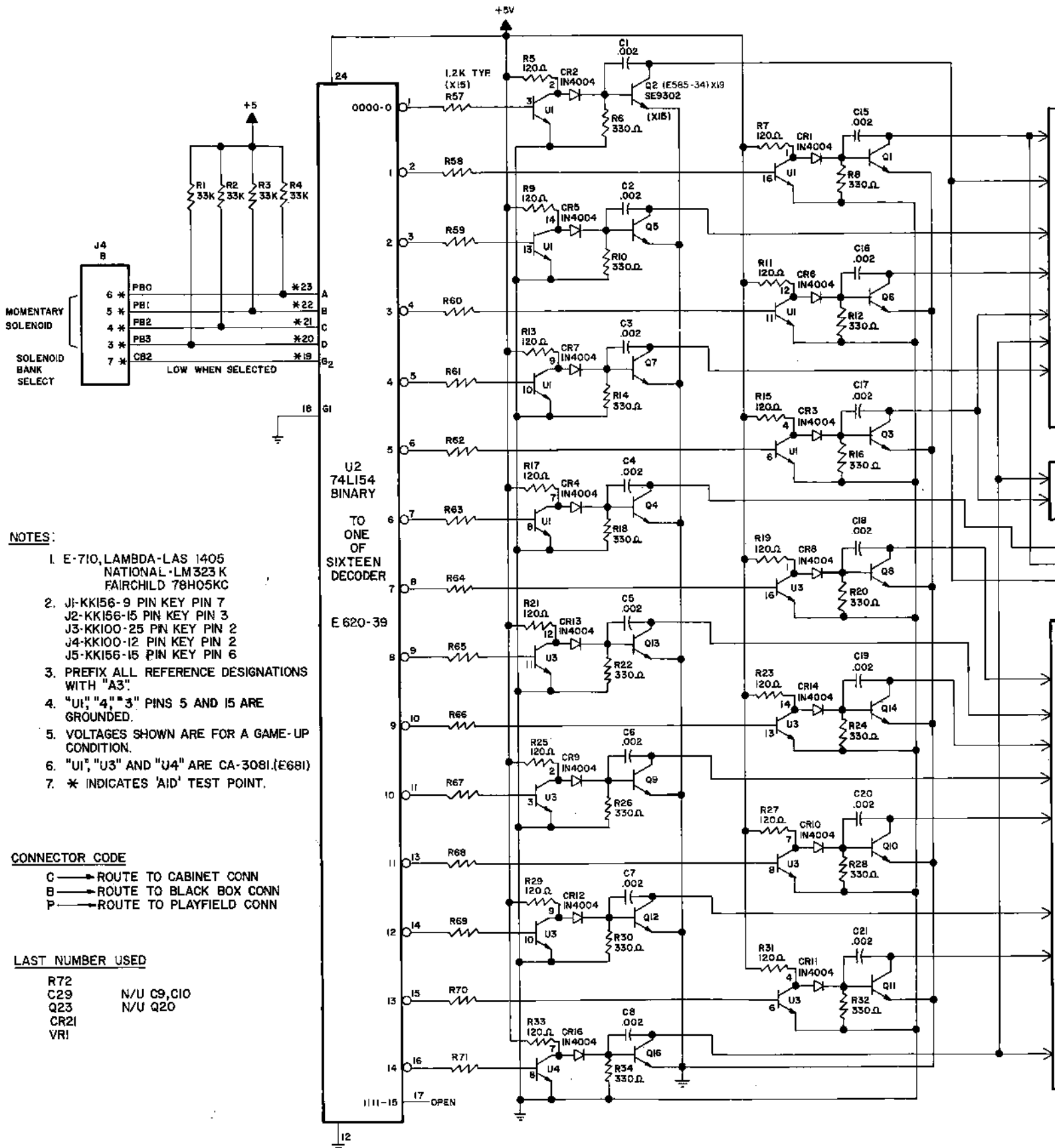
LINE VOLTAGE VRMS A.C.	STRAP TERMINALS	APPLY POWER TO TERMINALS
115	1T03 AND 9T011	1 AND 9
120	1T03 AND 5T07	1 AND 5
220	3T05	1 AND 12
240	3T05	1 AND 7

DIE SIZE — C.C. — FT. PER M — LBS. PER M —

ALL DESIGN, OPERATIVE AND PROCESS DATA PERTAINING TO THE ARTICLE SHOWN ON THIS SHEET IS THE PROPERTY OF BALLY MFG. CORP., CHICAGO, ILL. THIS INFORMATION IS DISCLOSED IN CONFIDENCE AND IS NOT TO BE COPIED, REPRODUCED, REVEALED TO OR APPROPRIATED BY OTHERS, IN PART OR IN WHOLE, WITHOUT THE EXPRESS CONSENT OF THE OWNERS. THE PRINT IS LOANED AND MUST NOT BE USED IN ANY MANNER DETRIMENTAL TO THE INTEREST OF THE OWNERS, AND MUST BE RETURNED ON DEMAND.

NO.	LET.	CHANGE	DATE	BY	CK.

REMOVE ALL BURRS		DR BY	DATE	Bally MANUFACTURING CORP. 2640 BELMONT AVENUE CHICAGO, ILLINOIS 1178													
TOLERANCES ON DIMENSIONS UNLESS OTHERWISE SPECIFIED		CHK BY	DATE	APD BY		PRINT CONTROL		CONT.	DR.	PR.	INS.	SWT.	WSP.	TDR.	WSP.	TOTAL	SCALE
FRACTIONS ±		3-D		3-4-80		→											1/2
DECIMALS ±		3/16		3/16													
ANGLES ±																	
DO NOT SCALE DRAWING		HARDENING:		NAME POWER TRANSFORMER MODULE SCHEMATIC													
				ASSEN. NO. USED OR/W													
				PART NO. W-1185-3c													



**NOTES:**

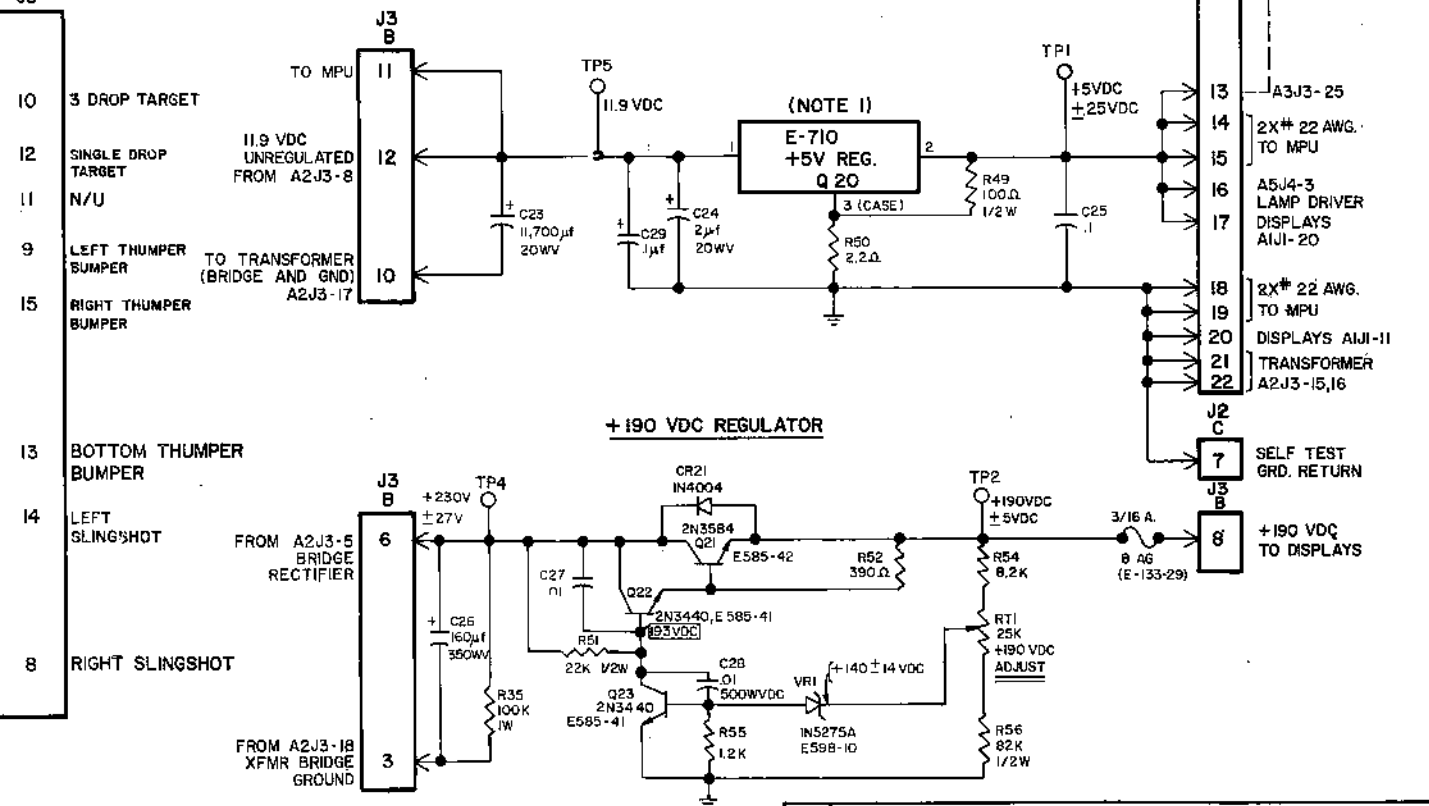
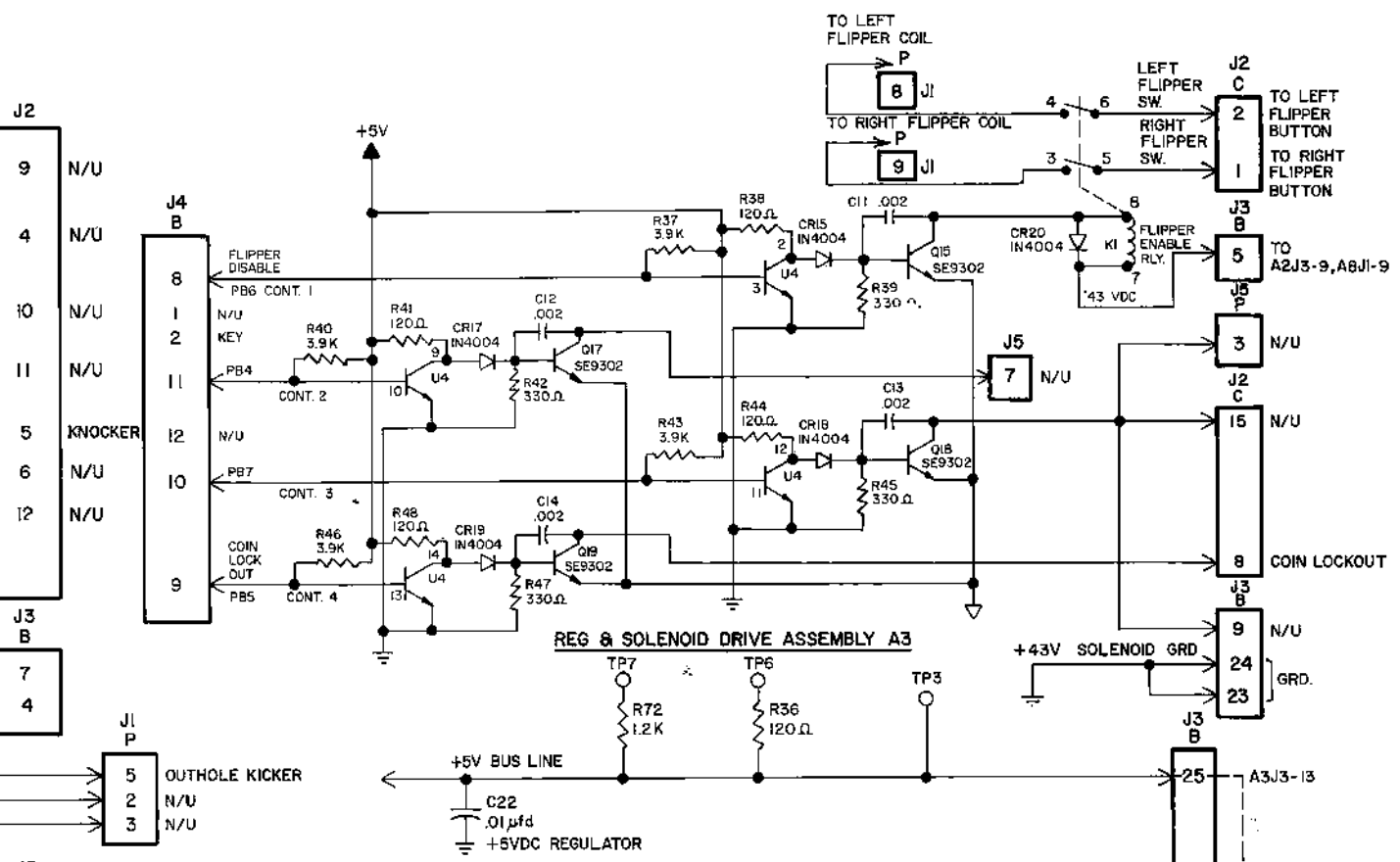
1. E-710, LAMBDA-LAS 1405 NATIONAL-LM323 K FAIRCHILD 78H05KC
2. J1-KK156-9 PIN KEY PIN 7  
J2-KK156-15 PIN KEY PIN 3  
J3-KK100-25 PIN KEY PIN 2  
J4-KK100-12 PIN KEY PIN 2  
J5-KK156-15 PIN KEY PIN 6
3. PREFIX ALL REFERENCE DESIGNATIONS WITH "A3".
4. "U1", "U4", "U3" PINS 5 AND 15 ARE GROUNDED.
5. VOLTAGES SHOWN ARE FOR A GAME-UP CONDITION.
6. "U1", "U3" AND "U4" ARE CA-3081.(E681)
7. \* INDICATES 'AID' TEST POINT.

**CONNECTOR CODE**

- C → ROUTE TO CABINET CONN
- B → ROUTE TO BLACK BOX CONN
- P → ROUTE TO PLAYFIELD CONN

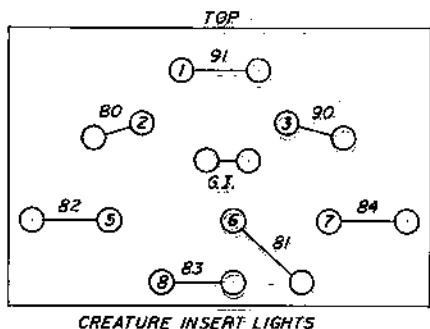
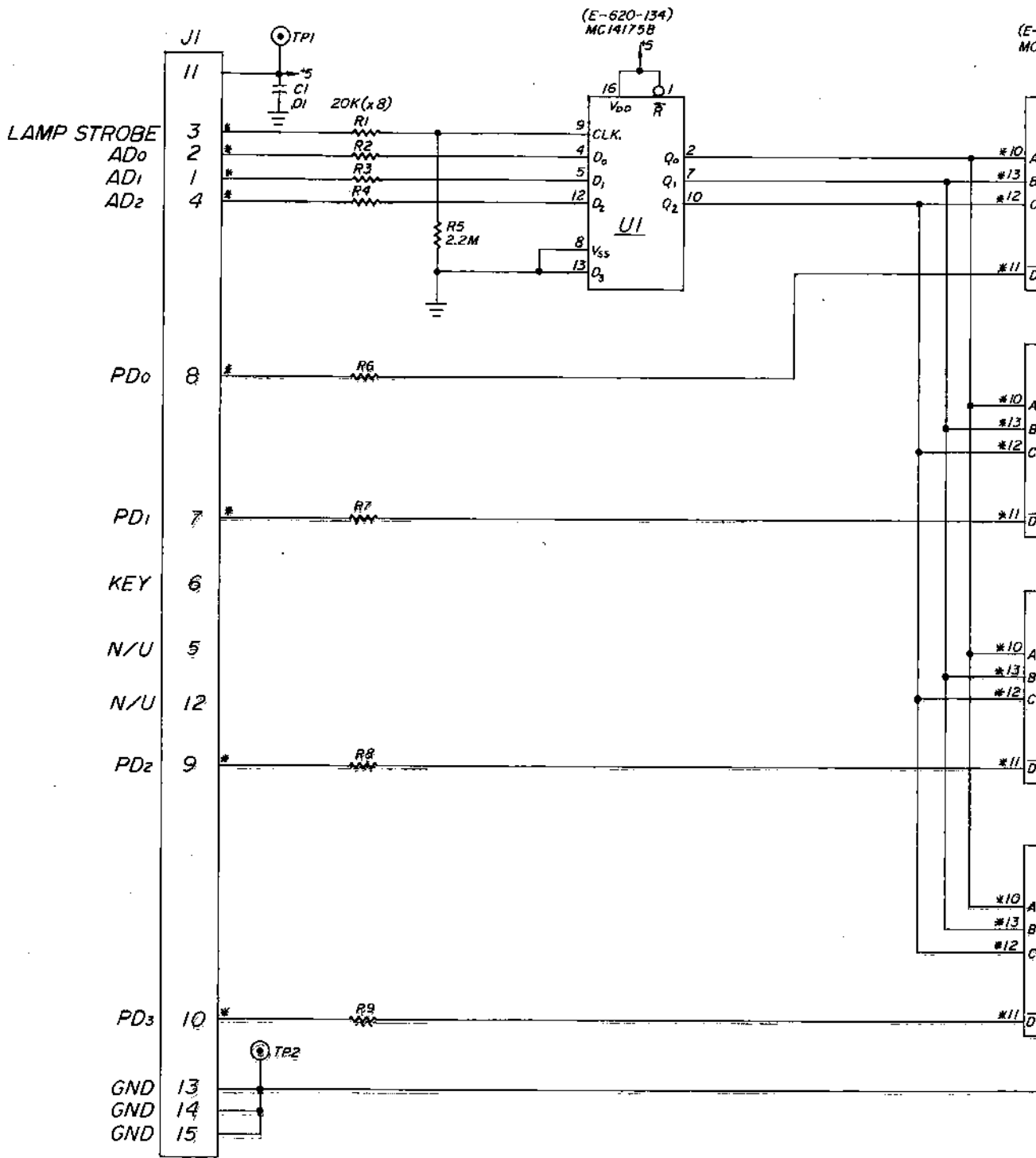
**LAST NUMBER USED**

- R72
- C29 N/U C9,C10
- Q23 N/U Q20
- CR21
- VR1



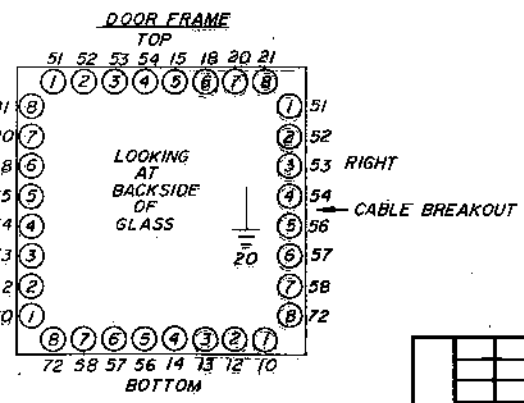
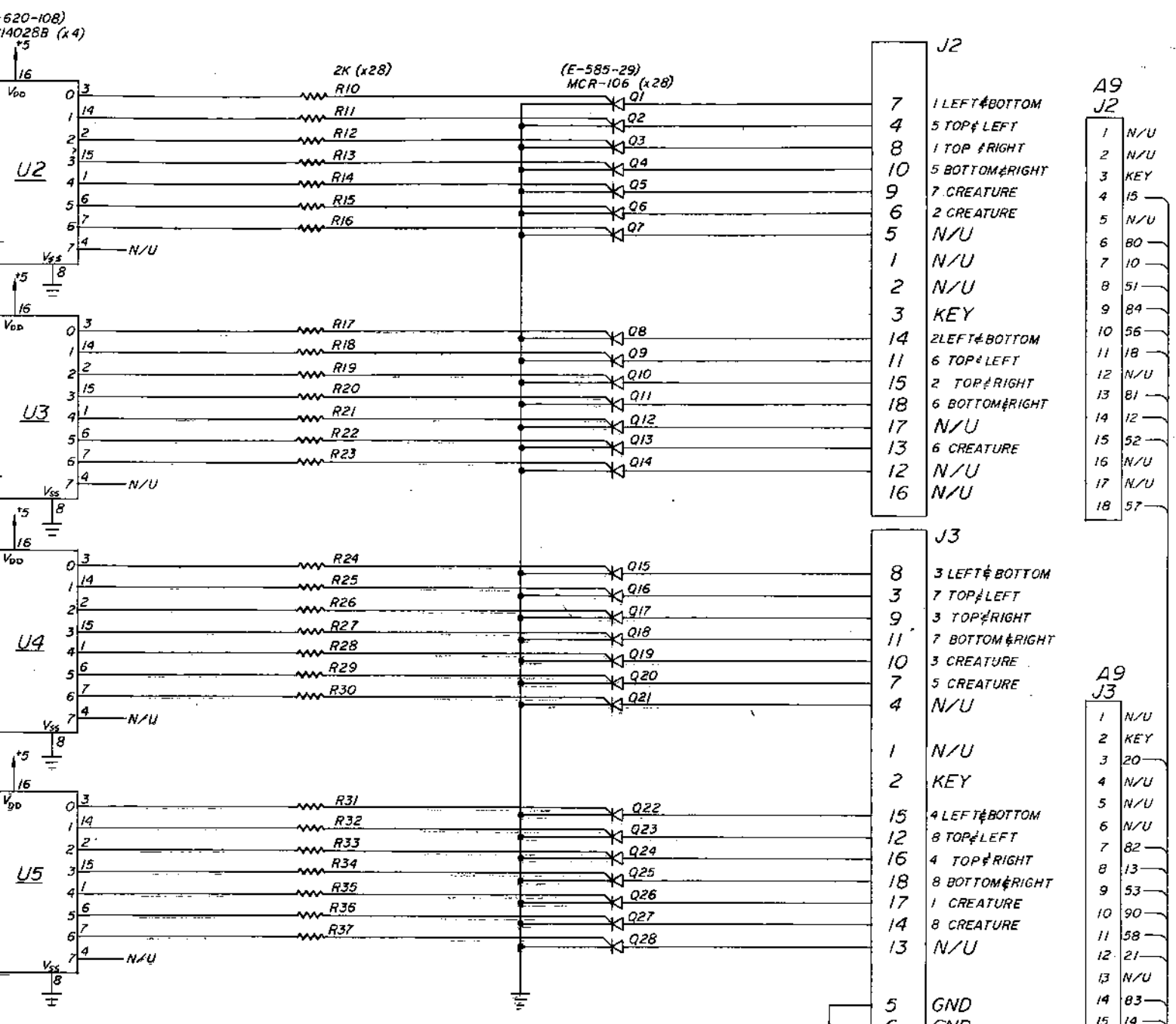
ALL DESIGN, OPERATIVE AND PROCESS DATA PERTAINING TO THE ARTICLE SHOWN ON THIS SHEET IS THE PROPERTY OF BALLY MFG. CORP. CHICAGO, ILL. THIS INFORMATION IS DISCLOSED IN CONFIDENCE AND IS NOT TO BE COPIED, REPRODUCED, REVEALED TO OR APPROPRIATED BY OTHERS, IN PART OR IN WHOLE, WITHOUT THE EXPRESS CONSENT OF THE OWNERS. THE PRINT IS LOANED AND MUST NOT BE USED IN ANY MANNER DETRIMENTAL TO THE INTEREST OF THE OWNERS, AND MUST BE RETURNED ON DEMAND.

DR. BY E.V.	DATE 2-1-80	PRINT CONTROL	DIE SIZE	C.C.	FT. PER M.	LBS. PER M.	Bally MANUFACTURING CORP. 2640 BELMONT AVENUE CHICAGO, ILLINOIS # 1178	
CE. BY J.D.	DATE 2-1-80							
AP'D BY J.D.	DATE 2-1-80	NAME SOLENOID DRIVER VOLTAGE REGULATOR SCHEMATIC		ASSEM. NO. USED		SCALE		
AP'D BY C.M.	DATE 2-1-80	MATERIAL SPACE INVADERS		PART NO. W-1183-23c				
HARDENING:		CODE						



CREATURE INSERT LIGHTS

- NOTES:**
1. ALL RESISTORS ARE 1/4W, 5%.
  2. VOLTAGES SHOWN ARE FOR GAME UP CONDITIONS.
  3. \* INDICATES "AID" TEST POINT.
  4. SCR'S ARE MCR-106-1, (E-585-29).
  5. PREFIX ALL REFERENCE DESIGNATIONS WITH "A9".



Terminal	Description
7	1 LEFT & BOTTOM
4	5 TOP & LEFT
8	1 TOP & RIGHT
10	5 BOTTOM & RIGHT
9	7 CREATURE
6	2 CREATURE
5	N/U
1	N/U
2	N/U
3	KEY
14	2 LEFT & BOTTOM
11	6 TOP & LEFT
15	2 TOP & RIGHT
18	6 BOTTOM & RIGHT
17	N/U
13	6 CREATURE
12	N/U
16	N/U
8	3 LEFT & BOTTOM
3	7 TOP & LEFT
9	3 TOP & RIGHT
11	7 BOTTOM & RIGHT
10	3 CREATURE
7	5 CREATURE
4	N/U
1	N/U
2	KEY
15	4 LEFT & BOTTOM
12	8 TOP & LEFT
16	4 TOP & RIGHT
18	8 BOTTOM & RIGHT
17	1 CREATURE
14	8 CREATURE
13	N/U
5	GND
6	GND
19	GND
20	GND

DOOR FRAME TO & INSERT

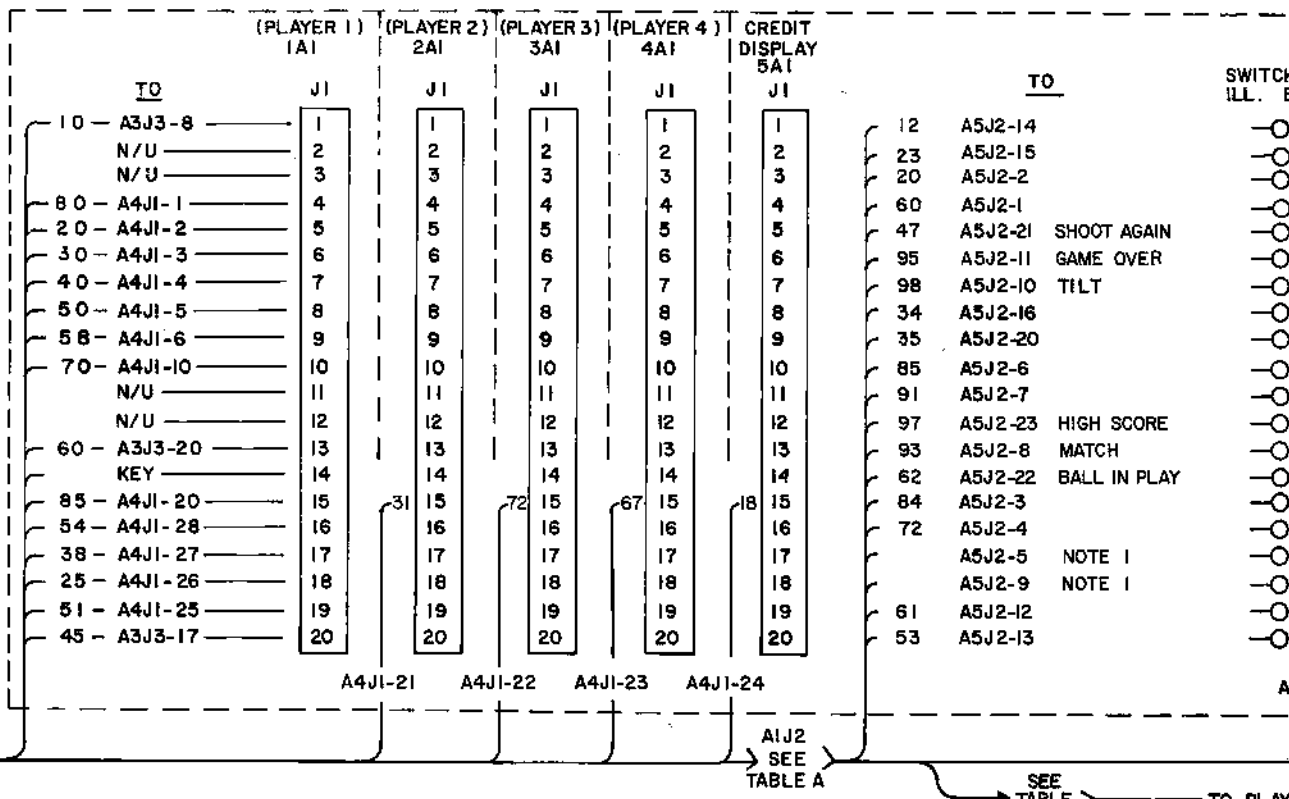
REMOVE ALL BURS				DR. BY: <i>REM</i>	DATE: 1-7-80	Bally MANUFACTURING CORP. 2640 BELMONT AVENUE CHICAGO, ILLINOIS #1178					
TOLERANCES ON DIMENSIONS UNLESS OTHERWISE SPECIFIED: FRACTIONS = .008, DECIMALS = .005, EXCEPT HOLE DIA. 3 ANGLES = 1/2"				CHK. BY:	DATE:	PRINT CONTROL:	DIE SIZE:	C.C.:	FT. PER IN.:	LBS. PER M.:	
AP'D BY: <i>REM</i>				DATE: 1-30-80	NAME: AUXILIARY LAMP DRIVER "A9"		ASSEM. NO. USED:	SCALE: <i>1/2</i>			
FINISH: <i>1-20-80</i>				MATERIAL: SPACE INVADERS		PART NO. W-1207-2					
DO NOT SCALE DRAWING				HARDENING:		CODE:					
NO.	LET.	CHANGE	DATE	BY							
1	A	REVISED	1-30-80	REM							

TABLE A AIJ2

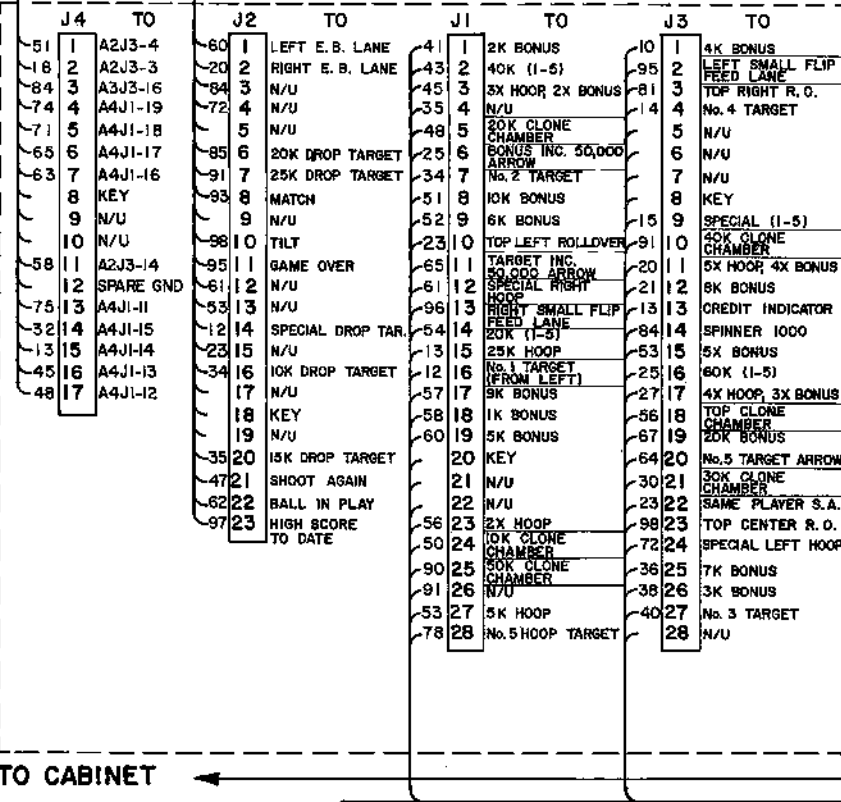
FROM	PIN	WIRE
A2J3-6	1	20
A5J2-14	2	12
A2J3-2	3	50
A2J3-11	4	10
A5J2-23	5	97
A5J2-15	6	23
A5J2-22	7	62
A5J2-8	8	93
A5J2-1	9	60
A5J2-2	10	20
A5J2-11	11	95
A5J2-21	12	47
A5J2-10	13	98
A5J2-7	14	91
A5J2-6	15	85
A5J2-20	16	35
A5J2-16	17	34
A2J3-1	18	40
A2J3-10	19	70
A5J2-13	20	53
A5J2-12	21	61
A5J2-4	22	72
A5J2-3	23	84
	24	

INSERT TO BACK CAB. PLUG

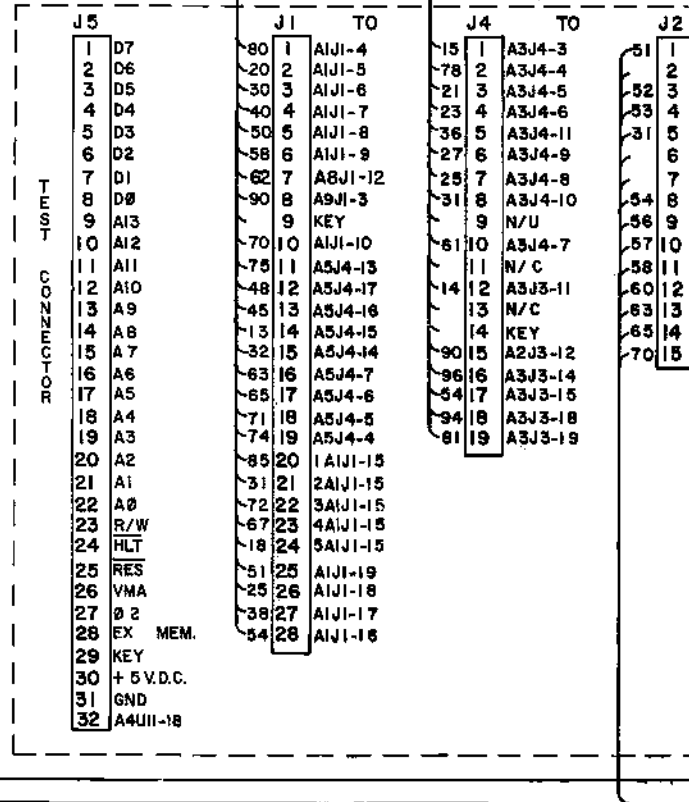
AI INSERT



LAMP DRIVER A5



MPU A4



NOTES

1. THESE PINS ARE RESERVED FOR FUTURE USE.
2. WIRE COLORS ARE SHOWN FOR ALL CONNECTOR PINS, SOME WIRES MAY NOT BE USED IN ALL GAMES.
- 3 \* INDICATES AID TEST POINT.

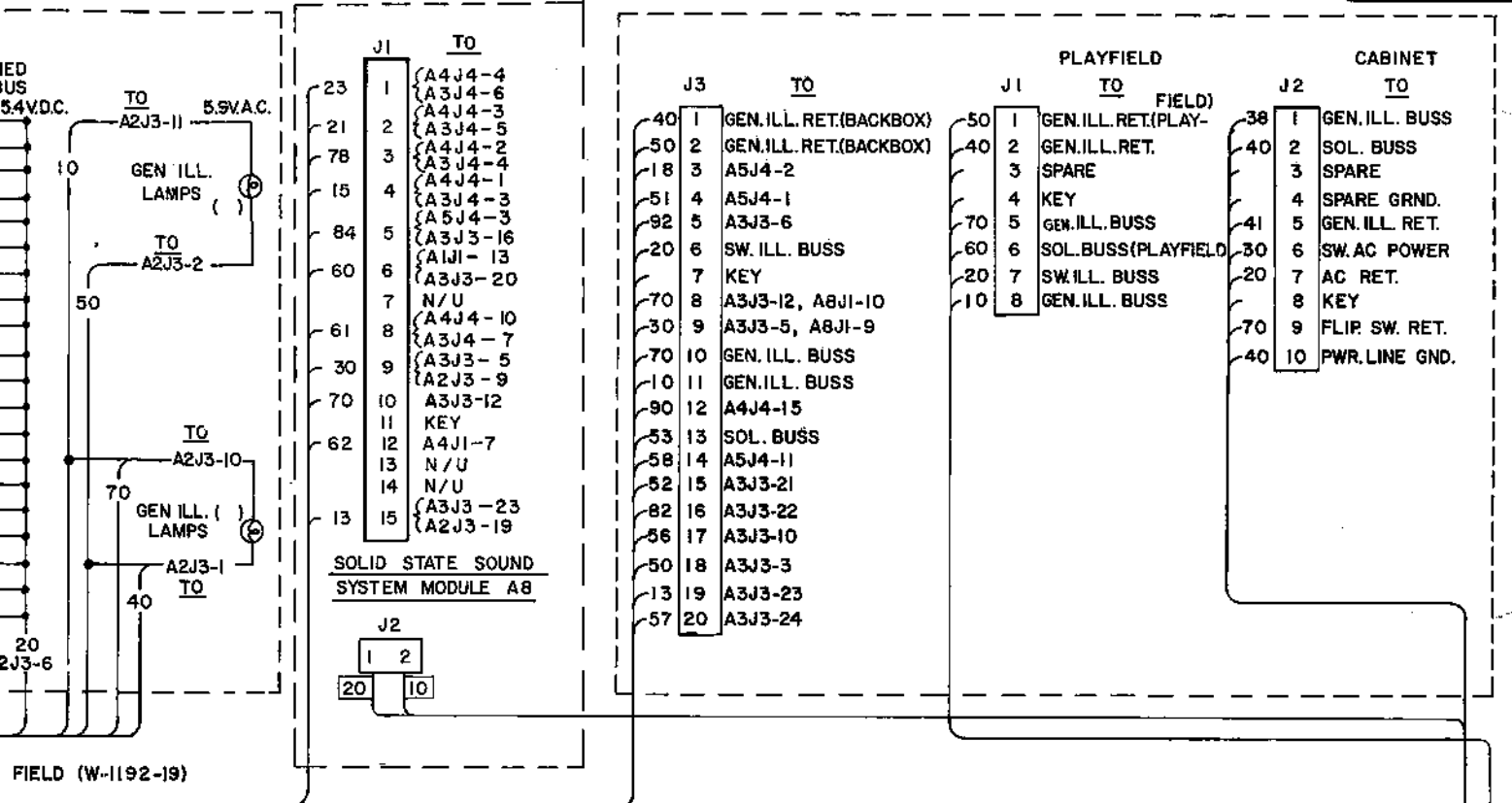
TABLE "B"

FROM	TO	WIRE
A5J2-14	1	12
A5J2-2	2	20
A5J2-16	3	34
A5J2-20	4	35
A5J2-1	5	60
A5J2-6	6	85
A5J2-7	7	91
A2J3-6	8	20

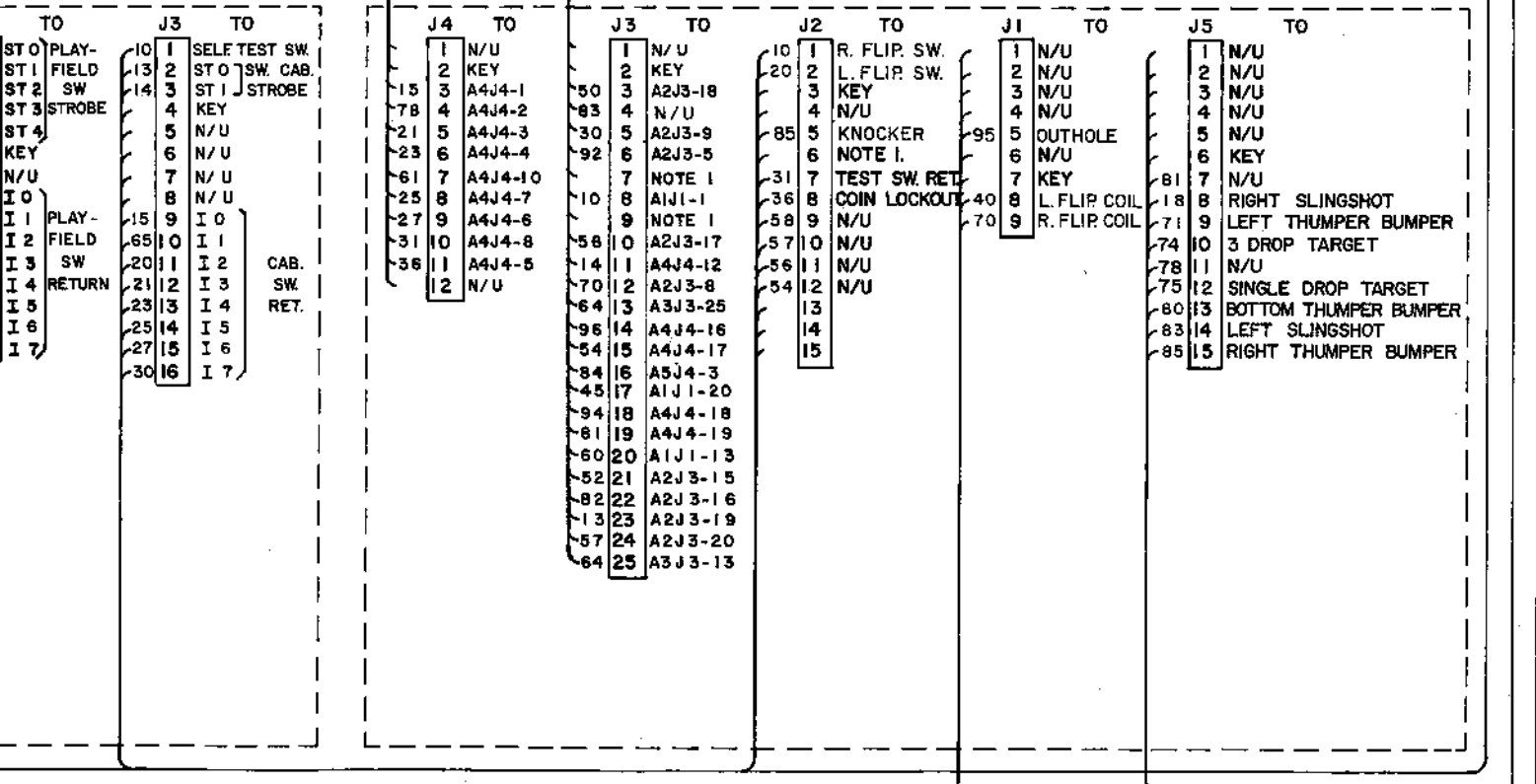
PANEL TO BACK CAB. PLUG

A2 TRANSFORMER

W-1187-19 c



VOLTAGE REGULATOR / SOLENOID DRIVER A3



**WIRE COLOR CODE**

RED	6-BROWN
BLUE	7-ORANGE
YELLOW	8-BLACK
GREEN	9-GRAY
WHITE	0-NO TRACE

ALL DESIGN, OPERATIVE AND PROCESS DATA PERTAINING TO THE ARTICLE SHOWN ON THIS SHEET IS THE PROPERTY OF BALLY MFG. CORP., CHICAGO, ILL. THIS INFORMATION IS DISCLOSED IN CONFIDENCE AND IS NOT TO BE COPIED, REPRODUCED, REVEALED TO OR APPROPRIATED BY OTHERS, IN PART OR IN WHOLE, WITHOUT THE EXPRESS CONSENT OF THE OWNERS. THE PRINT IS LOANED AND MUST NOT BE USED IN ANY MANNER DETRIMENTAL TO THE INTEREST OF THE OWNERS, AND MUST BE RETURNED ON DEMAND.

DR. BY E. V.	DATE 1-31-80	Bally MANUFACTURING CORP. 2640 BELMONT AVENUE CHICAGO, ILLINOIS		1178
CHK. BY J.D.	DATE 2-1-80	PRINT CONTROL	ENG. APPR.	TOTAL
APP'D BY J.D.	DATE 2-1-80	NAME	SCALE	ASSEM. NO. USED ON/W
FINISH:		<b>PLUG CONNECTORS</b>		PART NO. W-1187-19 c
HARDENING:		MATERIAL SPACE INVADERS		

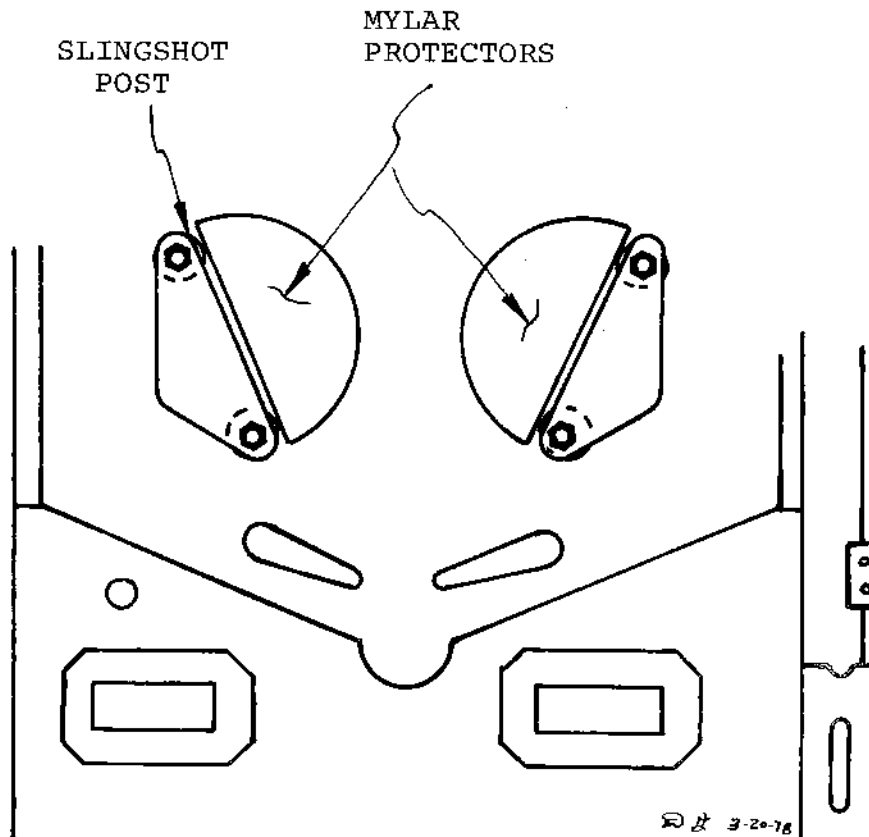


PLAYFIELD MYLAR PROTECTORS

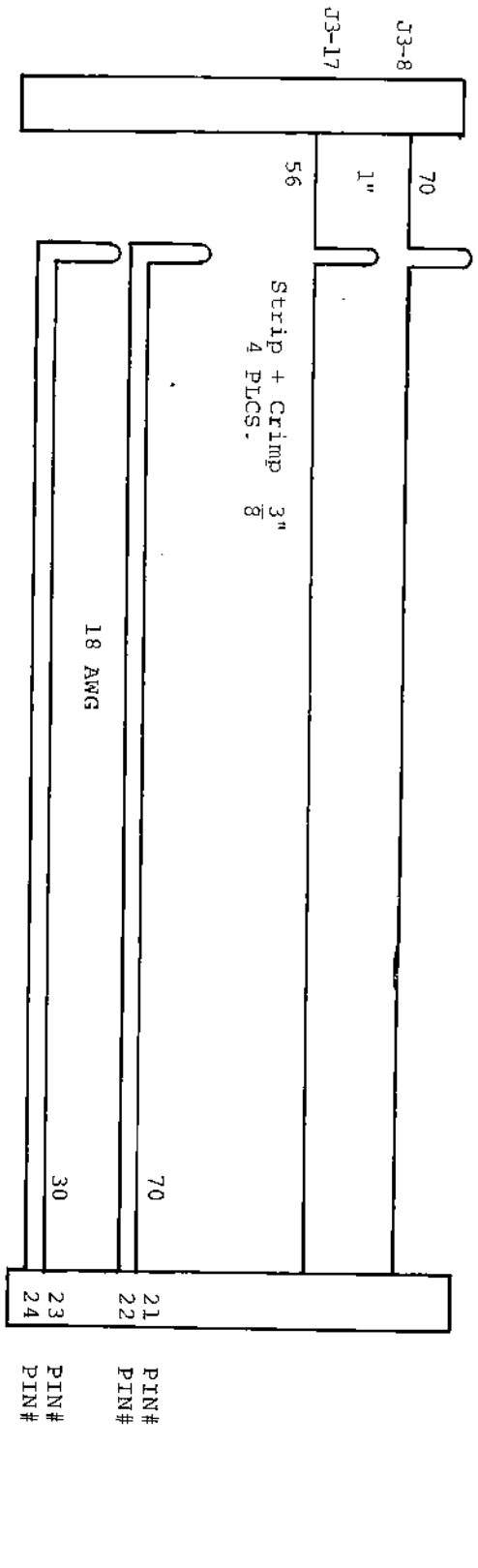
FO-589

ENCLOSED ARE TWO MYLAR PROTECTORS WHICH MAY BE ATTACHED TO THE PLAYFIELD IN FRONT OF THE SLINGSHOT KICKERS AS SHOWN IN SKETCH. THESE WILL HELP TO PRESERVE PAINT FINISH IN FRONT OF SLINGSHOTS.

TO APPLY, SIMPLY REMOVE PAPER BACKING AND PLACE MYLAR WITH FLAT EDGE TOUCHING THE TWO SLINGSHOT POSTS.

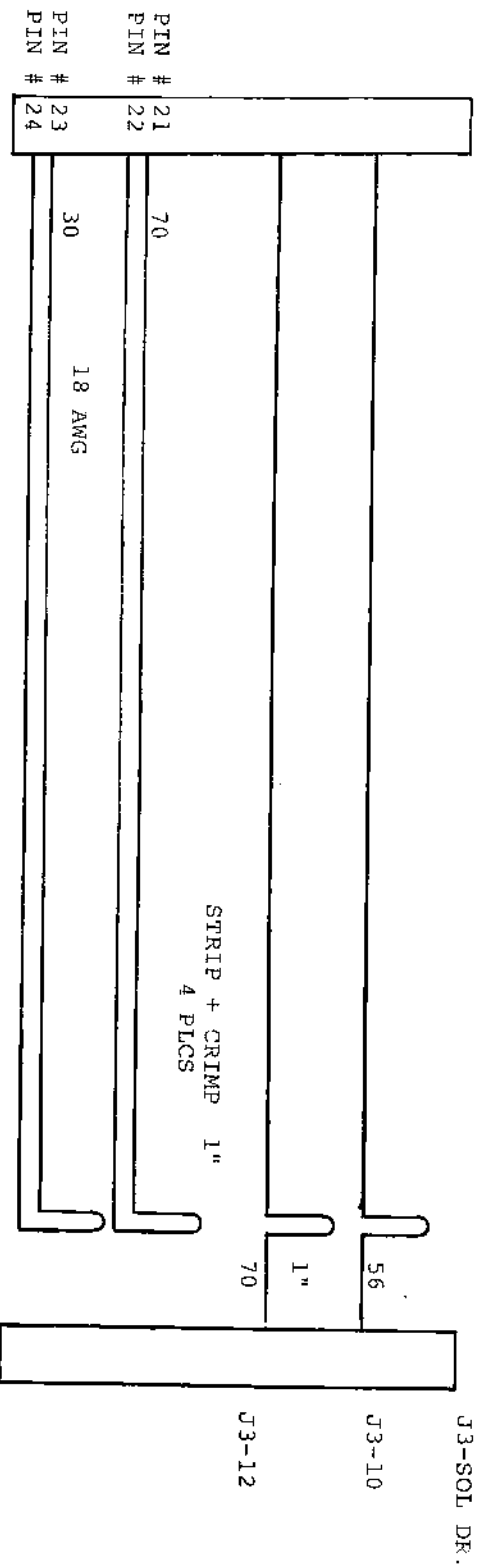


SPACE INVADERS #1178  
TRANSFORMER EXT. CABLE



24 PIN MALE

BACK BOX CABLE



24 PIN FEMALE

NOTE: Crimp all 70's together 2 places and tie 56 to 30 2 places.

NOTE: P4 is changed to 6 AWG

# "SPACE INVADER" KIT NO. 571

## - ATTENTION - 5 BALL OPERATORS

IT HAS BEEN BROUGHT TO OUR ATTENTION THAT IN SOME COLLEGE AND OTHER HIGH SKILL LOCATIONS IT MIGHT BE NECESSARY TO PUT IN THE FOLLOWING CHANGE, TO CONTROL THE REPLAY PERCENTAGE.

IF YOU EXPERIENCE A HIGH PERCENTAGE OF REPLAYS AFTER MAKING THE NORMAL GAME SWITCH ADJUSTMENTS, REPLACE THE TWO MINI\_POST WITH THE TWO AMBER POSTS WHICH ARE ENCLOSED IN THE ATTACHED ENVELOPE.

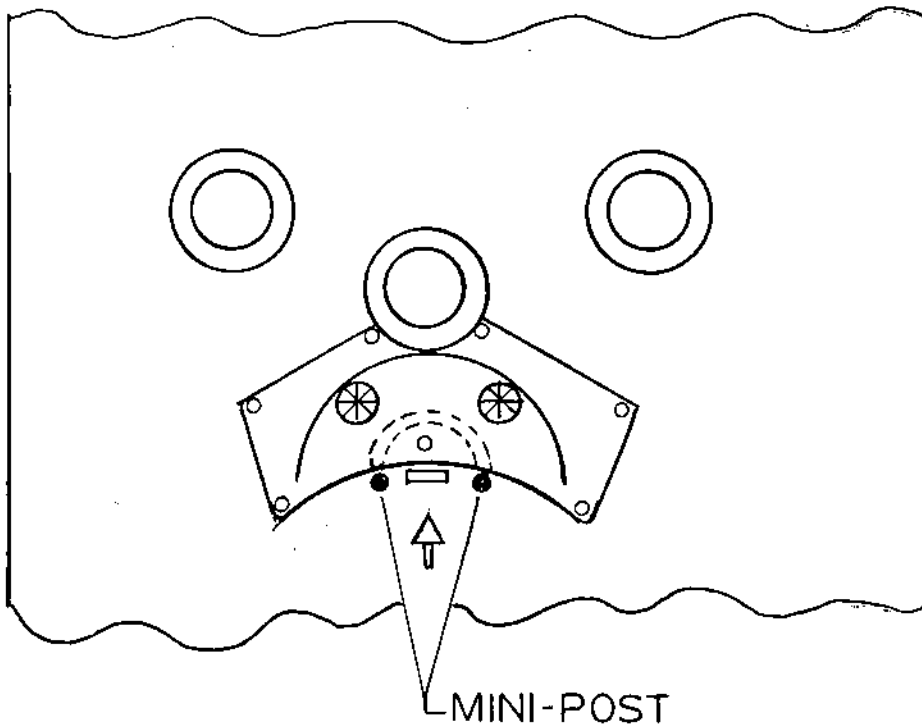


FIG. I

### INSTRUCTIONS:

REMOVE (2) MINIPOSTS SHOWN IN FIG. I  
REPLACE WITH (2) POSTS AT THE SAME LOCATION AS  
SHOWN IN FIG. II, UTILIZING TEE NUTS ENCLOSED

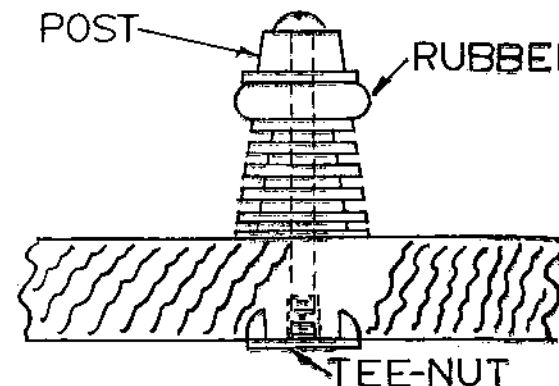


FIG. II