

VIDEO CONNECTIONS FOR TARGET TOSS PRO: LAWN DARTS - BAGS

Check High-Definition Television

Target Toss Pro supports a number of high-definition resolutions that are compatible with newer flat-panel LCD digital televisions, including 720p (Component and SVGA), but will work on many HDTVs with a VGA input. In addition, both 16x9 and 4x3 aspect ratios are supported. Note that the display may be stretched to accommodate the widescreen format.

NOTE: Video and audio connections to these displays vary, and may require additional cables not included with the Showpiece cabinet. In addition, some displays may not support the resolution needed for your game. Check your display's manual for additional information.

Set Up Your HDTV

Refer to the HDTV manual to adjust the video signal to match the correct input for your game. The correct input can be selected from a system menu accessed from the remote, or an input select button on the HDTV.

DIP Switch Settings for 720p HDTVs

The DIP switch settings in your Showpiece cabinet have been factory set to accommodate a 720p HDTV connected through component cables.

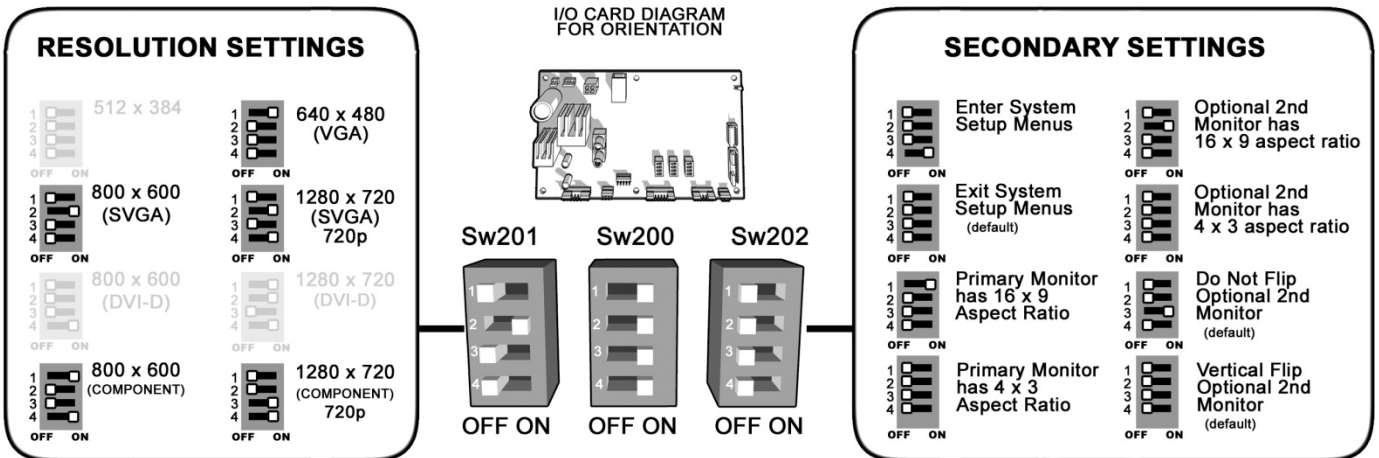
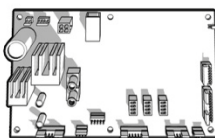
DIP switch bank Sw201 on the I/O Board controls the video resolution for the main monitor. If a different resolution is necessary for your display, or you are using a Visual Graphics Array (VGA) connection, refer to the chart below for the proper setting. Digital Visual Interface (DVI-D) is not supported.

Note: Changing the resolution requires rebooting the machine.

HDTV MONITOR APPLICATION

IMPORTANT NOTE

I/O CARD DIAGRAM FOR ORIENTATION

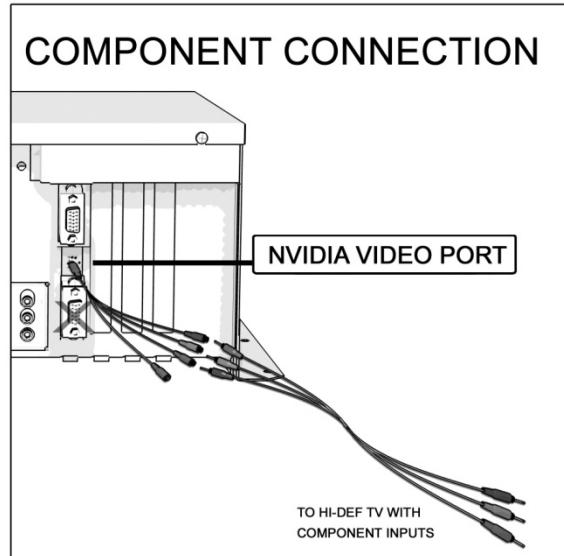


ALWAYS ON
Do Not Change

Incredible Technologies Showpiece™ Cabinet

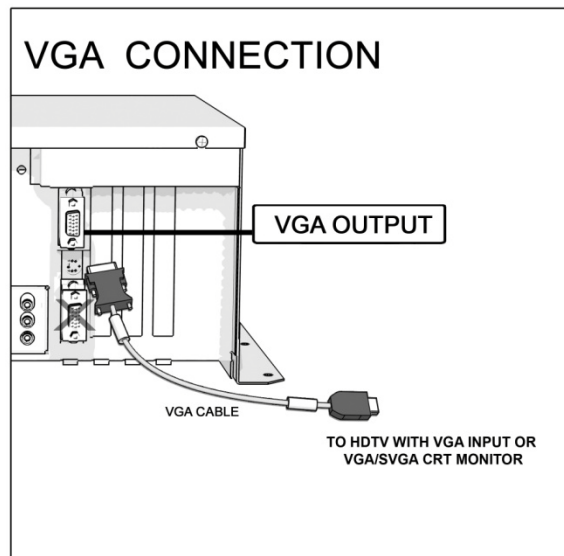
Connect to Component (Preferred Method)

Connect the supplied NVIDIA HDTV adapter cable to the matching round output on the Nighthawk system. Connect a component cable to the adapter cable, then connect the other end of the component cable to the correct inputs on your television. Be sure that the correct colors match on all inputs.



Connect to VGA (Alternative Method)

Connect a VGA cable to the VGA output on the system box, and the other end of the VGA cable to the proper input on your HDTV.



Incredible Technologies Showpiece™ Cabinet

VIDEO AND AUDIO CABLES

If you need additional cables or different cable lengths not included with the Showpiece cabinet, they are available from a variety of retail and Internet sources. Monoprice.com is an excellent resource and a good place to start.

Video Cables from Monoprice.com

[12 ft., 3 conductor, component cable](#)

[12 ft., 5 conductor, component cable](#)

[12 ft. S-video cable M/M](#)

[15ft. SVGA Super VGA M/M Monitor CL2 Rated \(For In-Wall Installation\) Cable w/ ferrites \(Gold Plated\)](#)

[10ft. SVGA Super VGA M/M Monitor Cable w/ ferrites \(Gold Plated\)](#)

Audio Cables from Monoprice.com

[2 RCA Plug/2 RCE Plug M/M Cable – 12ft.](#)

[3.5mm Stereo Plug/2 RCA Jack cable – 6 in.](#)