



OWNERS AND SERVICE MANUAL

INNOVATIVE CONCEPTS IN ENTERTAINMENT INC.



Table of Contents

Setup

Programming

Cabinet Access

Monitor:

- Controls

- Power

- Removal

I/O Board replacement

Assemblies

Spares

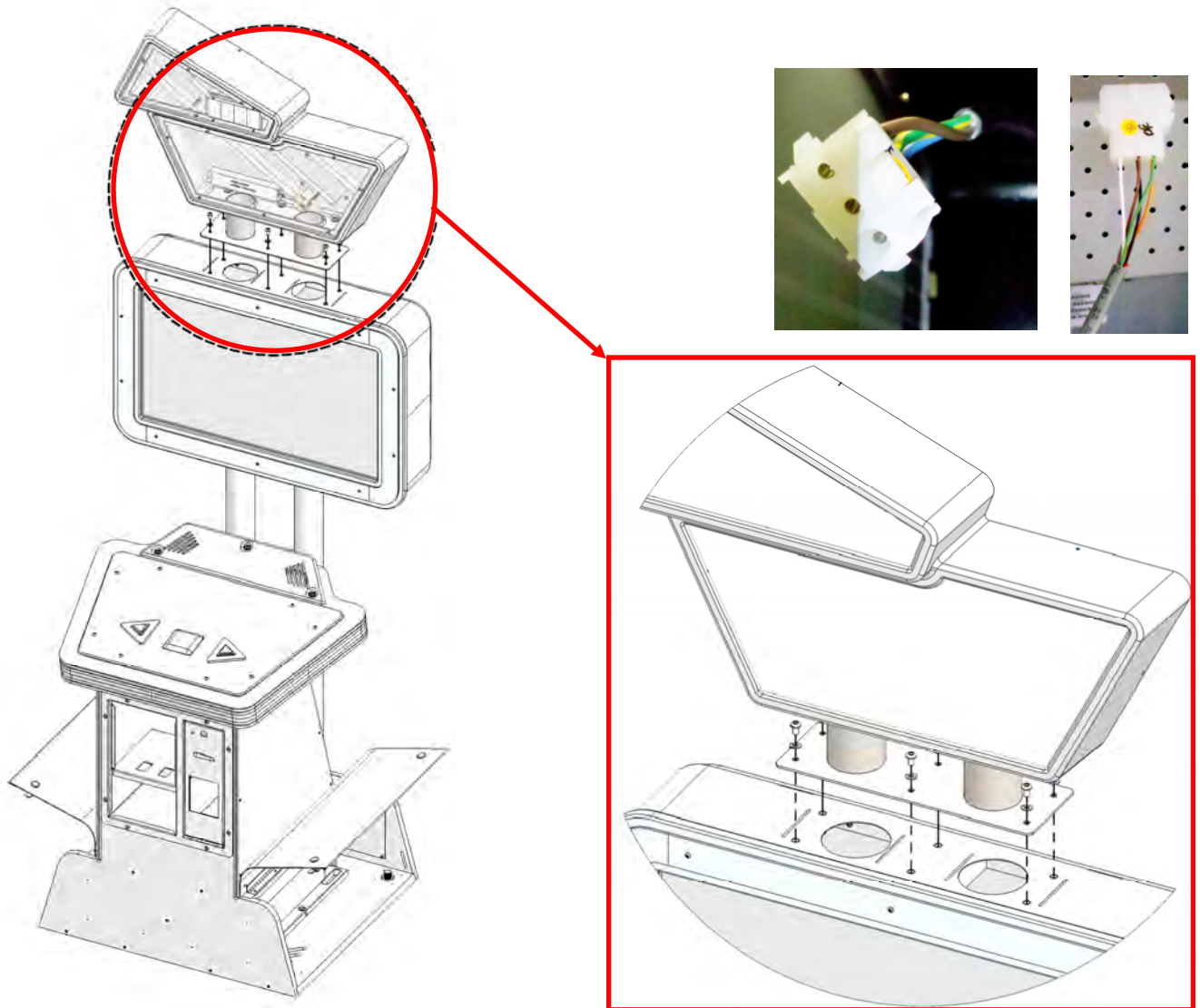
Decal Layout

Warranty

Setup

Place the marquee on top of the cabinet as shown below. Attach using the provided hardware found in the cash box. A 3/16 Allen wrench has been included to tighten the hardware. Remove the center back cover to access the two wire harnesses that will need to be attached to the marquee. The AC harness is located to the left, upper hole. The display harness is located in the middle and goes up the left side access hole. See below for pictures.

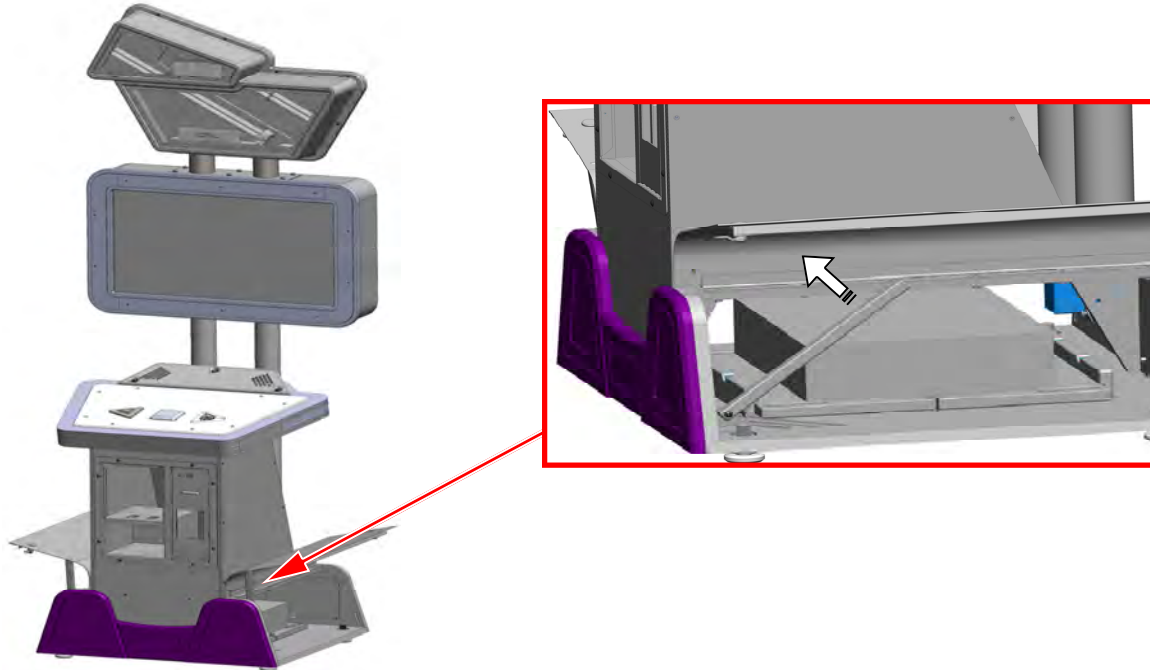
The game is ready for location use. Please proceed to programming to configure your game for your location.



**SEE
PROGRAM
INSERT
FOR
PROGRAMMING
INFORMATION.**

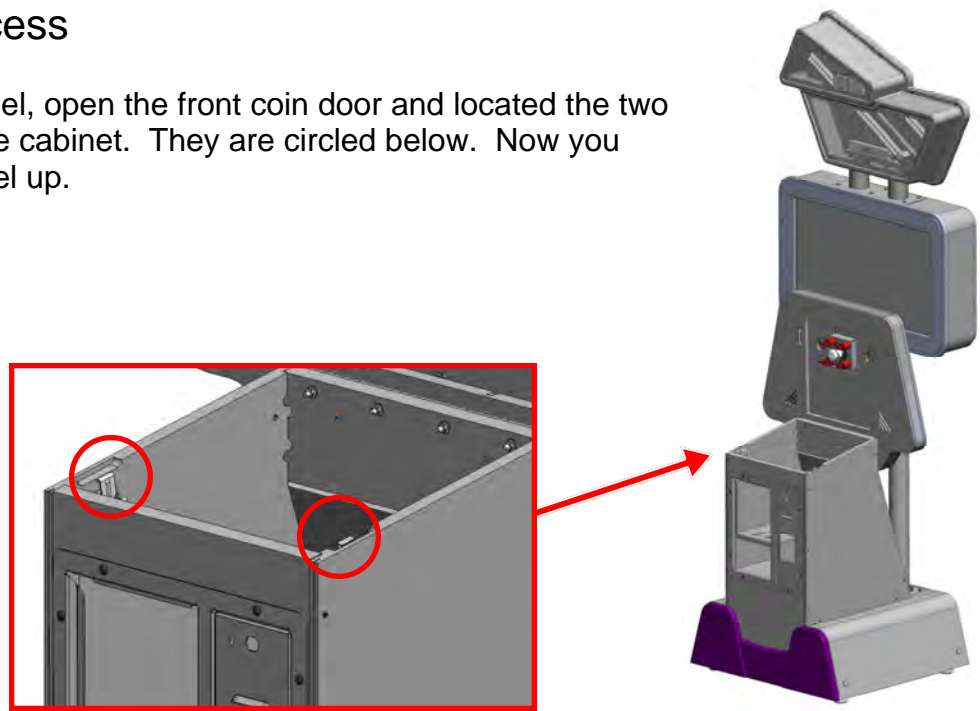
Lower Door Access

Located at the bottom of the cabinet are two access doors. Standing from the front of the cabinet, the right door is used to gain access to the front of the computer along with the USB I.O board. The left door is used to gain access to the back of the computer and the A/C power module. Use the "Prop bar" to keep the doors open while you work inside the cabinet.



Control Panel Access

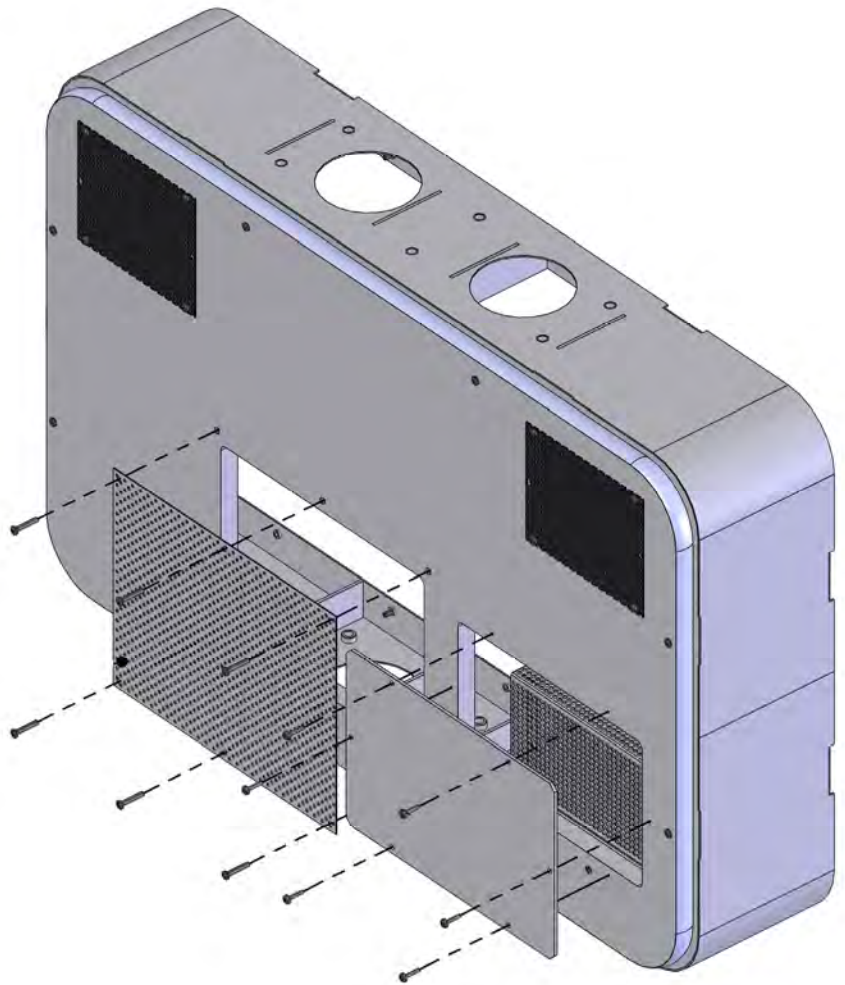
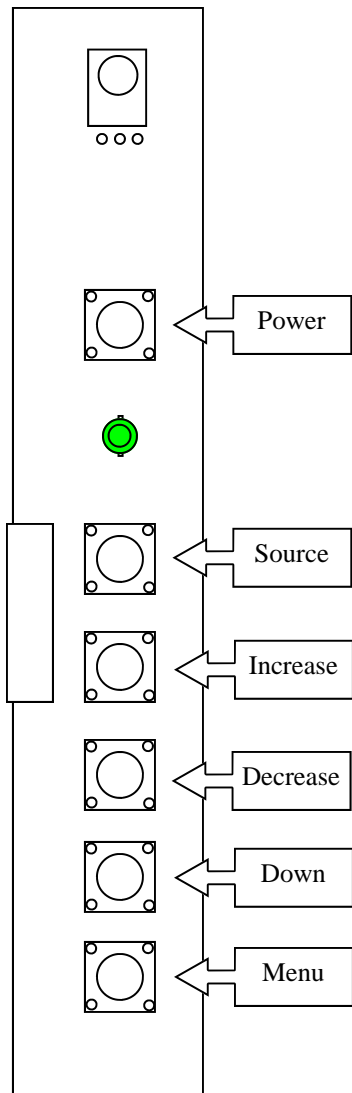
To open the control panel, open the front coin door and located the two latches at the side of the cabinet. They are circled below. Now you can clip the control panel up.



Monitor: Controls & Power supply Access

At the back of the monitor housing are two access panels. The center access panel will give you access to the monitor control board located at the left of the monitor. See below for the monitor's remote board layout.

The right access panel will give you access to the monitor's power supply. This power supply is +24 volts DC at 10 amps or higher.



Monitor Power Supply Removal

Refer to "Monitor: Controls & Power supply Access" to gain access to the power supply. Remove the left mounting bolt and slide the power supply right to remove. Slide the supply to the left and reattach left mounting bolt to install.

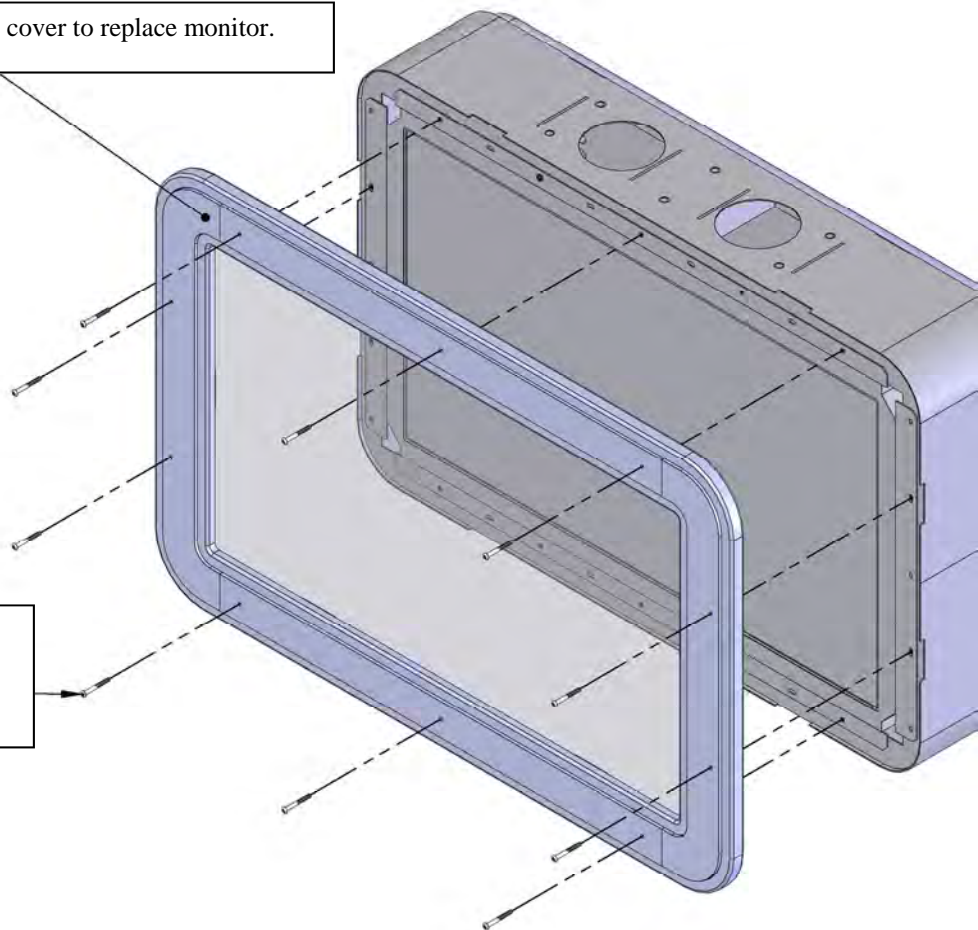


Monitor Removal

Remove only the screws shown below to remove front glass assembly. Once the front glass assembly has been removed, you can remove the mounting screws that hold the monitor to the cabinet. Disconnect both the power input and video cable before removing monitor.

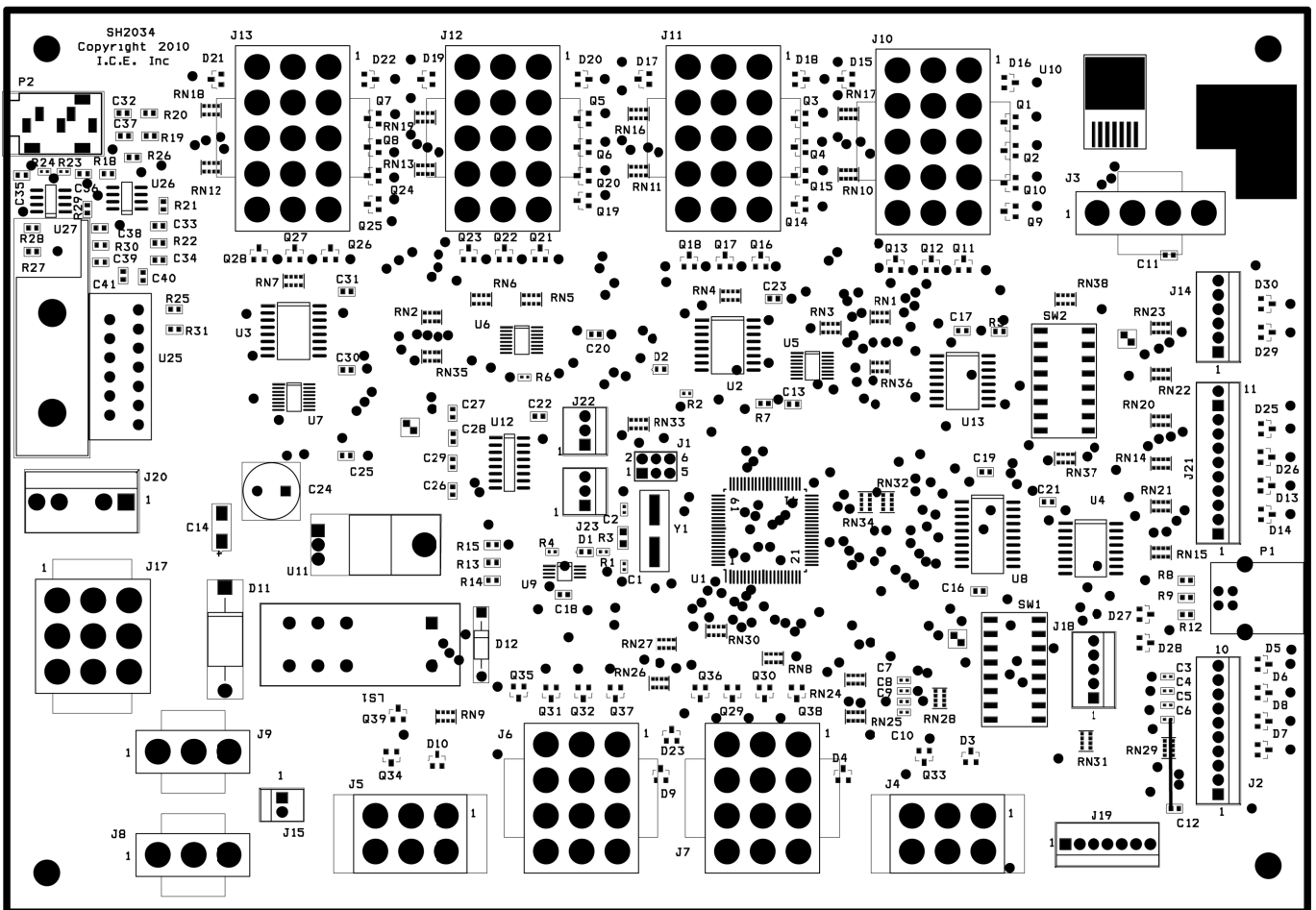
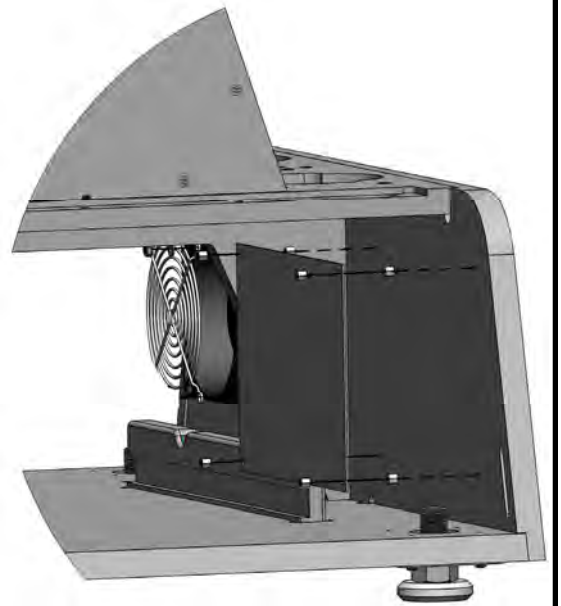
You only remove this cover to replace monitor.

Remove only these screws shown to remove front assembly

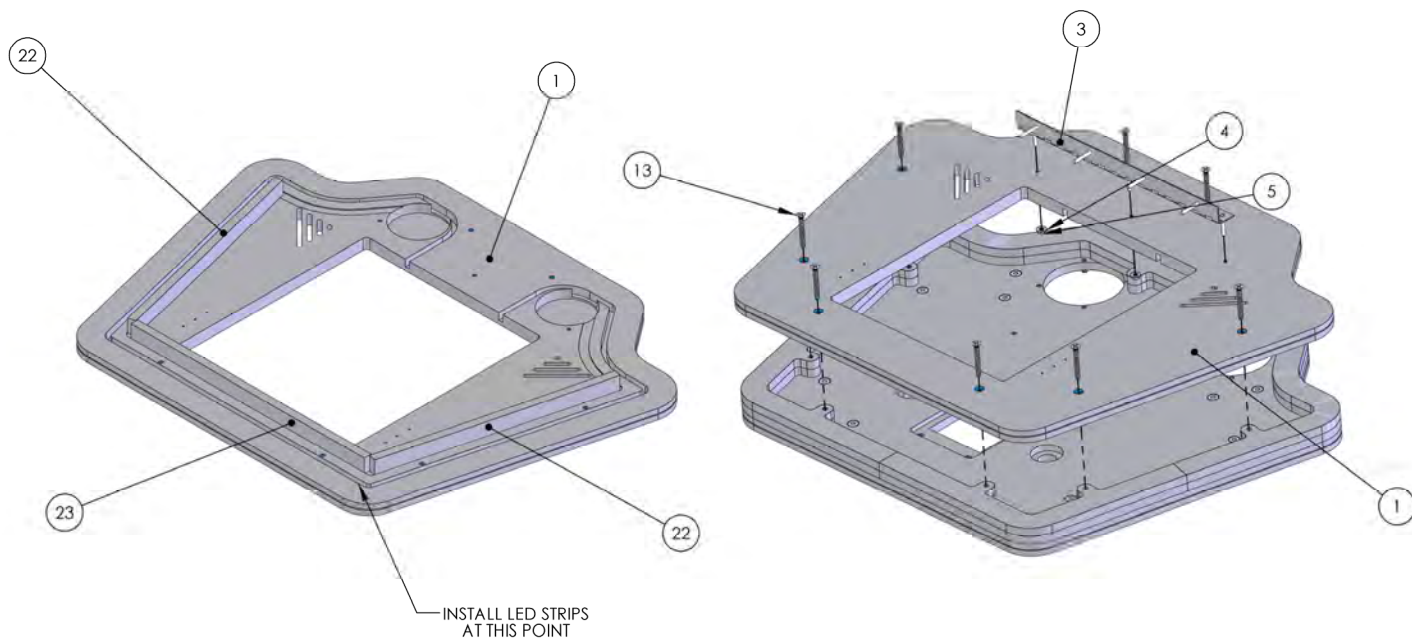


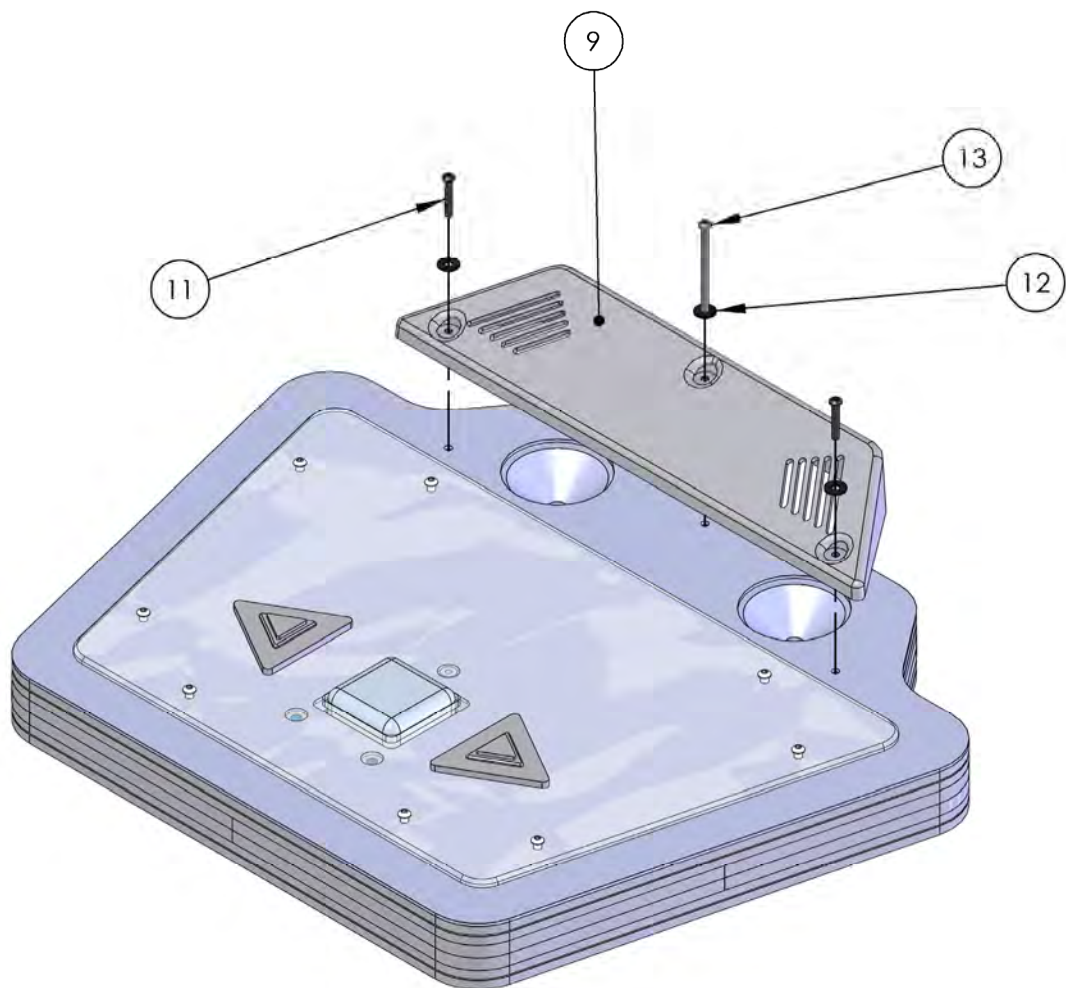
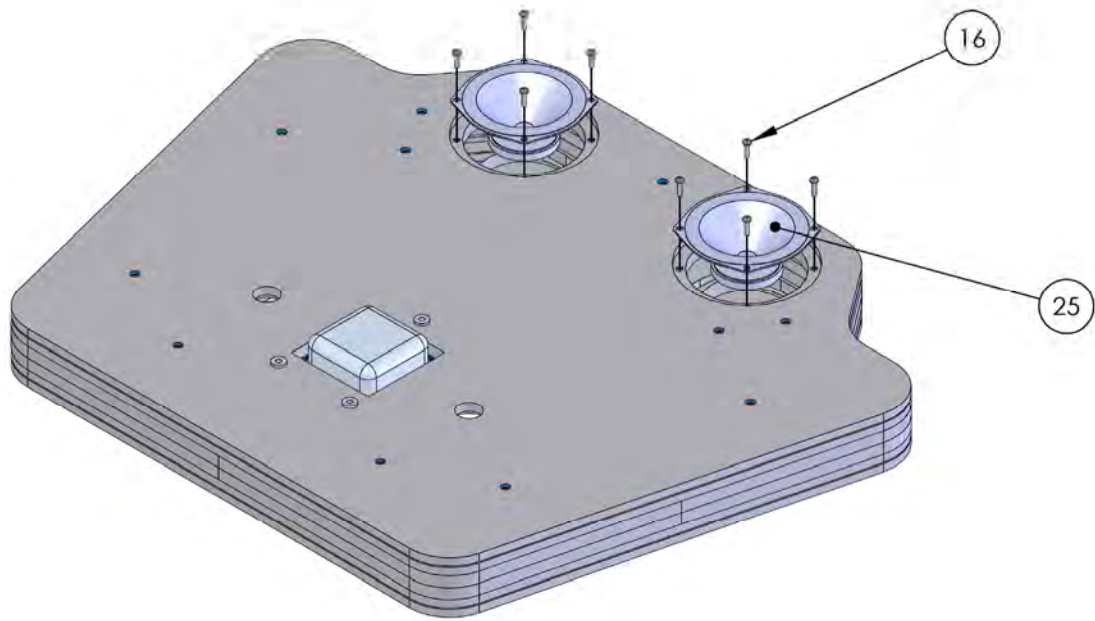
I/O Removal

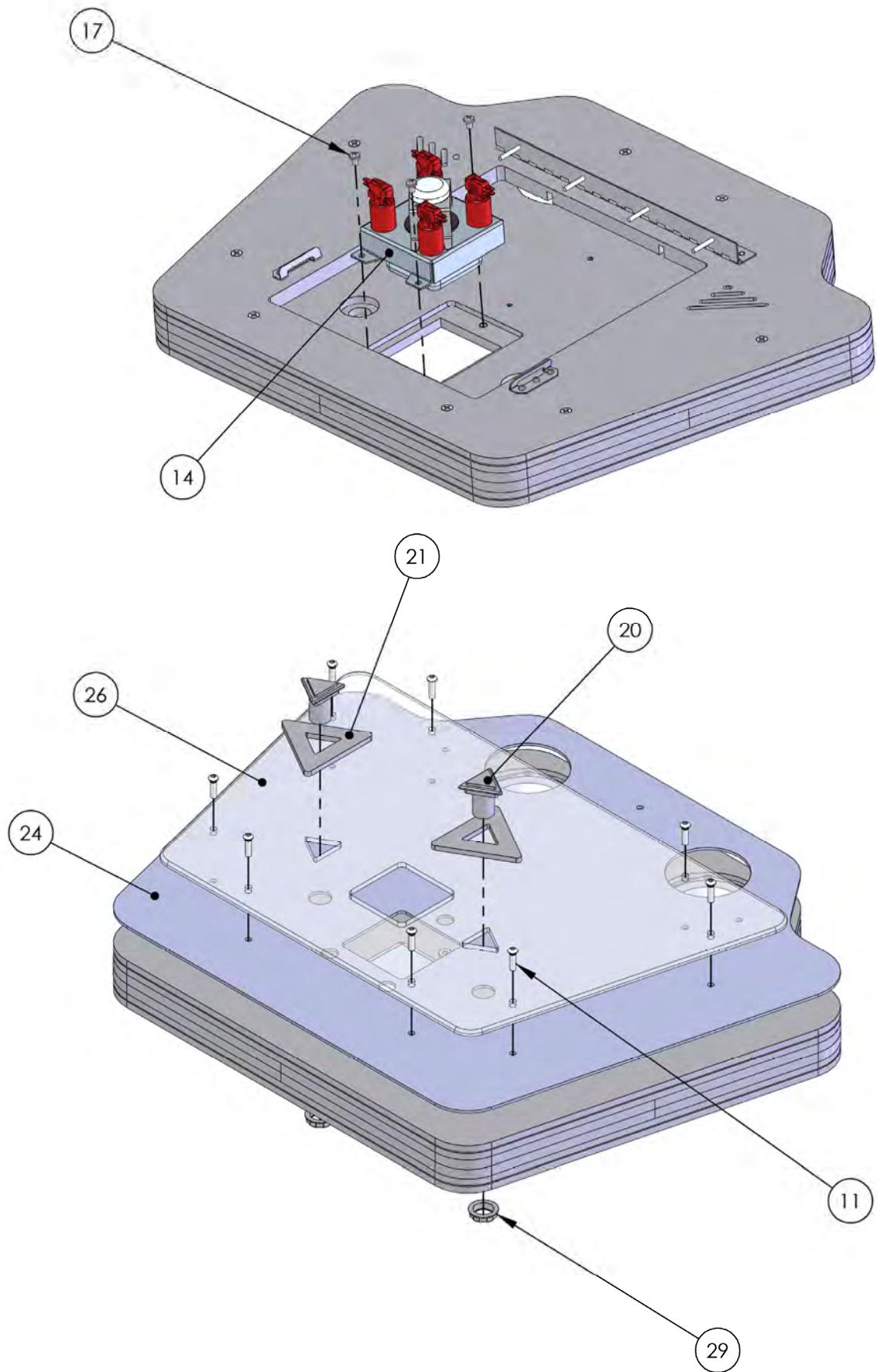
The I/O board is held to the back of the lower part of the cabinet by four plastic standoffs shown to the left. To access this, open the lower right side door and prop with prop arm. See “Lower Door Access” for more information. Remove the four plastic standoffs.

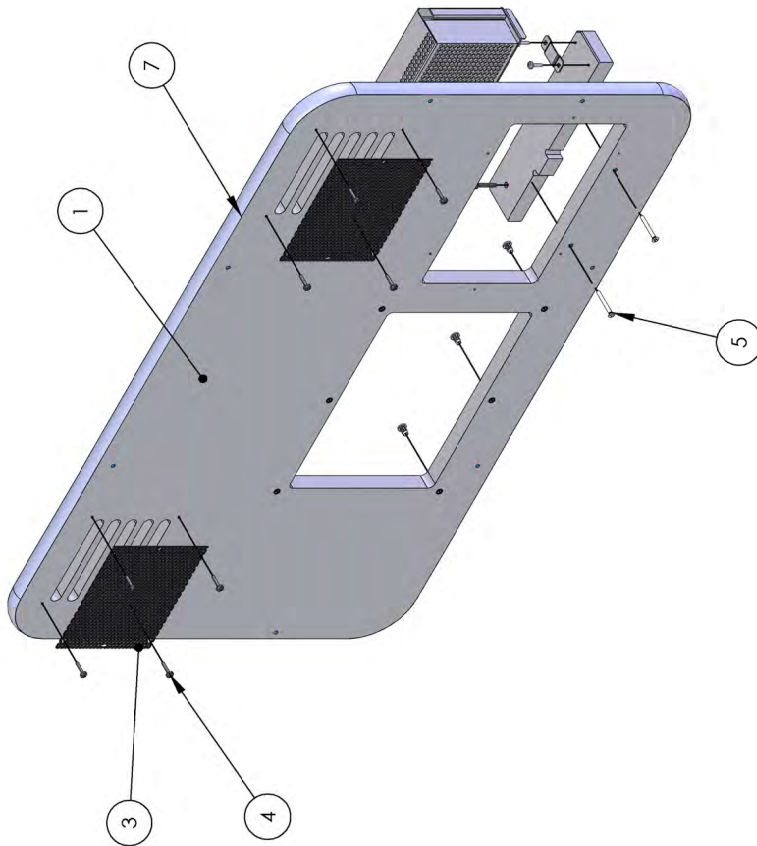
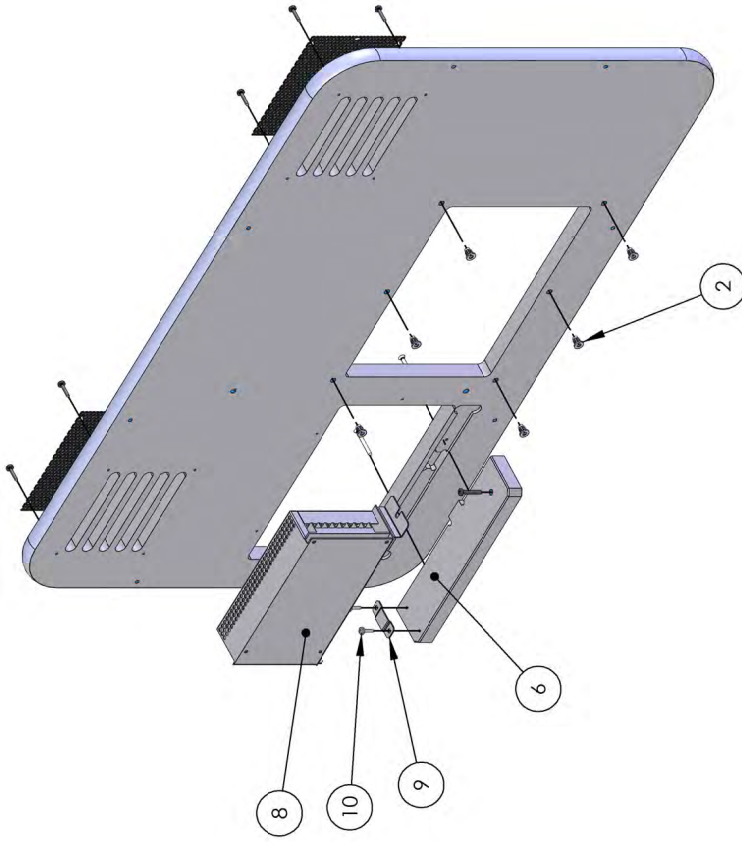


ITEM NO.	PART NUMBER	DESCRIPTION	QTY.
1	SG3053	CONTROL PANEL BOTTOM	1
2	SG3062	CONTROL PANEL TOP	1
3	SG1017	CONTROL PANEL HINGE	1
4	6020	#10 FLAT WASHER USS (#12 SAE)	3
5	6040	10-24 KEP NUT	3
6	SG3001	SPEAKER COVER VAC FORM	1
7	PC60631	025-20 CABINET INSERT (J50115)	14
8	6281	1/4-20 x 1 1/2 BSHCS (BLACK)	2
9	6212	1/4 x 3/4 FLAT WASHER BLACK (USS)	3
10	6369	1/4-20 X 3 1/2 BHCS (BLACK)	1
11	PC60622	1/4-20 x 1.00" LG. BSHCS	8
12	6583	1/4-20 BRASS INSERT	8
13	6466	1/4-20 X 2 FHMS	8
14	BX3008X	START BUTTON ASSEMBLY	1
15	6489	8-32 INSERT (FLUSH) 90267A563	8
16	pc60618	8-32x7/8 PHMS	8
17	6003	1/4-20 X 3/8 PRHMS	3
18	DN1042	CONTROL PANEL LATCH PLATE	2
19	655S	#8 x 5/8 SQ. DRIVE (SILVER)	6
20	SG2005	ARROW BUTTON	2
21	SG3012	BUTTON BORDER	2
22	SG3018	CONTROL PANEL SIDE REFLECTOR	2
23	SG3019	CONTROL PANEL FRONT REFLECTOR	1
24	SG3003	CONTROL PANEL FINISH COVER	1
25	FP2007	SPEAKER (4" ROUND) KS40064-RO	2
26	SG7020	C PANEL	1
27	SG3032	CONTROL PANEL EDGE UPPER HALF	4
28	SG3033	CONTROL PANEL EDGE LOWER HALF	4
29	2005 NUT	BUTTON NUT	2



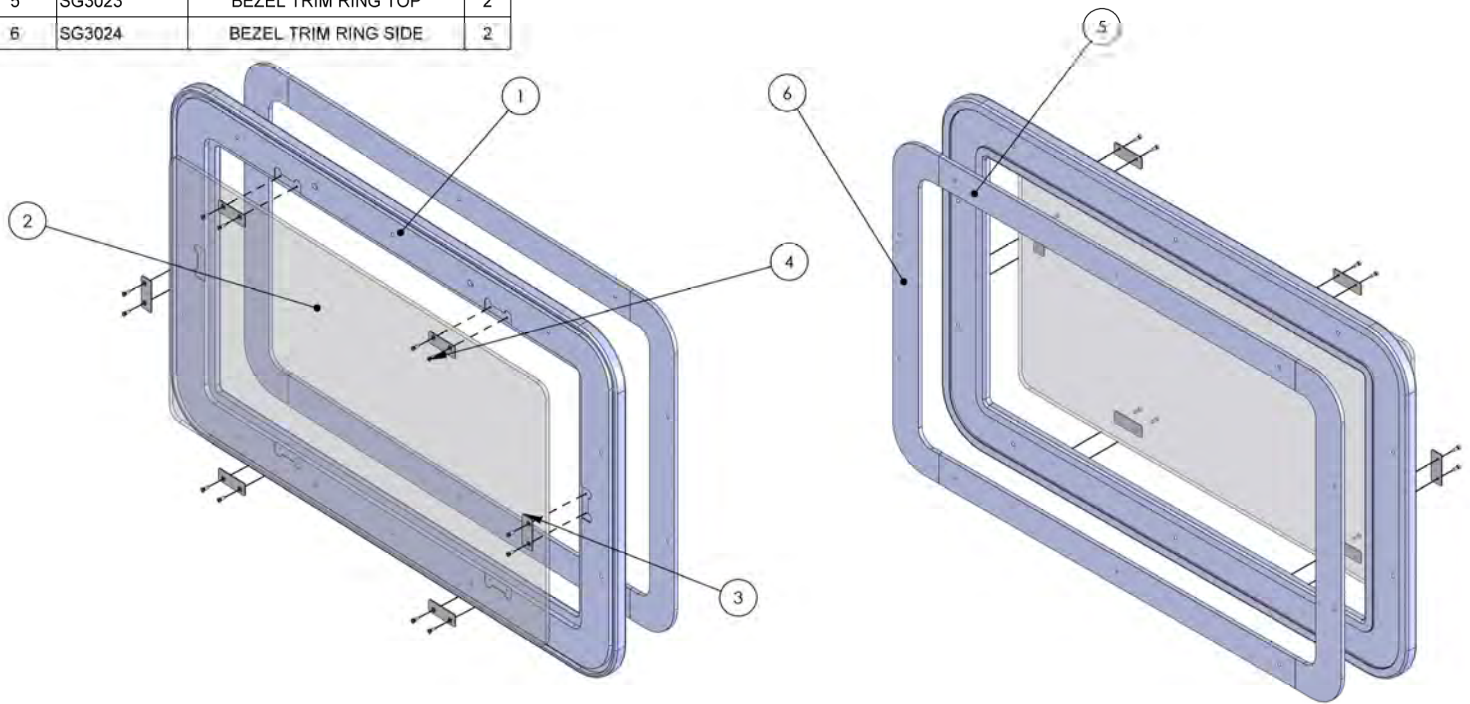




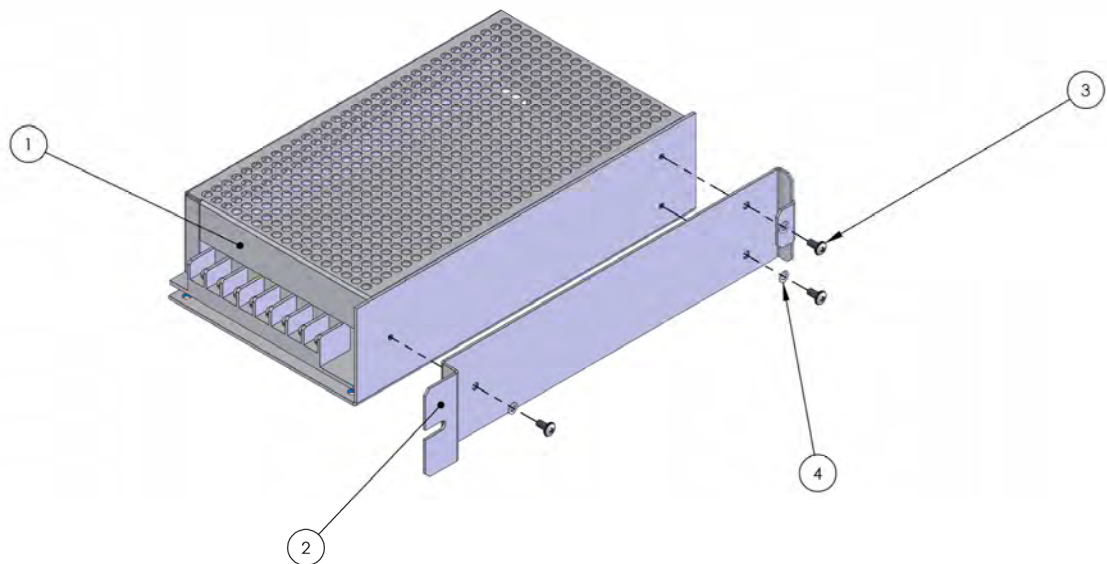


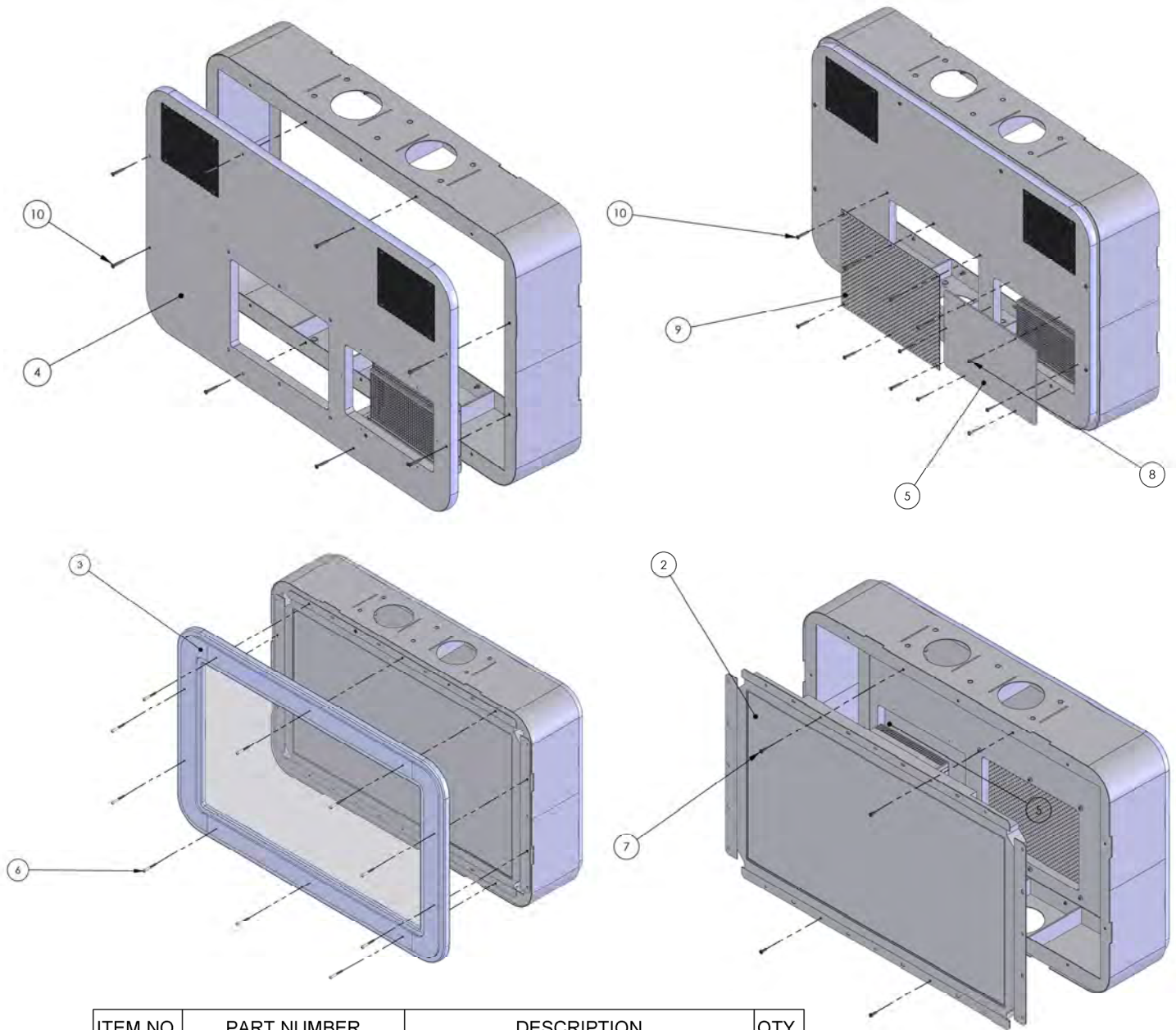
ITEM NO.	PART NUMBER	DESCRIPTION	QTY.
1	SG3075	MONITOR BACK PANEL	1
2	6061	8-32 CAB INSERT (J-50111)	6
3	SX1026	Speaker Grill	2
4	655	#8 x 3/4 SQ. DRIVE (BLACK)	8
5	6166	#6 DRYWALL SCREW 1-1/2" SQ-PH TOOTHED HEAD	2
6	SG3065CX	POWER SUPPLY SHELF	1
7	TMOLDING	T MOLDING (BLACK)	1
8	SG1010X	PWR SUPPLY / BRKT ASSY	1
9	SG1011	RETAINING BRACKET	1
10	655S	#8 x 5/8 SQ. DRIVE (SILVER)	2
11	6177	#8-32 x 1" LG PPHMS	1

ITEM NO.	PART NUMBER	DESCRIPTION	QTY.
1	SG3028	MONITOR BEZEL	1
2	SG3027	MONITOR COVER GLASS	1
3	SG1003	GLASS RETAINING BRACKET	6
4	6680	6 X 1/2" PHILLIPS WOOD SCREW	12
5	SG3023	BEZEL TRIM RING TOP	2
6	SG3024	BEZEL TRIM RING SIDE	2



ITEM NO.	PART NUMBER	DESCRIPTION	QTY.
1	MON26-32PS	POWER SUPPLY	1
2	SG1010	POWER SUPPLY MTG. BRKT	1
3	6788	M3 X 6 PPHMS	3
4	6769	#4 LOCKWASHER	3





ITEM NO.	PART NUMBER	DESCRIPTION	QTY.
1	SG1002	MONITOR SHELL	1
2	MON32LCDEDNX 6-2010	XXXX	1
3	SG3028X	MONITOR GLASS / FRAME	1
4	SG3075CX	MONITOR BACK ASSEMBLY	1
5	SG3016	POWER SUPPLY DOOR	1
6	6383	8-32 X 1-1/2" SECURITY BHCS (BLACK)	10
7	6004	8-32 x 1/2 PRHMS (BLACK)	4
8	655	#8 x 3/4 SQ. DRIVE (BLACK)	6
9	TG1015	SPEAKER GRILL, TV CABINET	1
10	6177	#8-32 x 1" LG PPHMS	15

SPARES GO HERE





WARRANTY POLICY

I.C.E. Inc warrants all components in new machines to be free of defects in materials and workmanship for the period listed below:

- 180 days on Main PCB's, Computers & Motors
- 1 year on all LCD monitor panels
- 90 days on all other electronic and mechanical components
- 30 days on all I.C.E. repairs and parts purchases

I.C.E. Inc shall not be obligated to furnish a warranty request under the following conditions:

- Equipment or parts have failed through normal wear and tear
- Equipment has been subjected to unwarranted stress, abuse or neglect
- Equipment has been damaged as a result of arbitrary repair/modification

Products will only be covered under warranty by obtaining an I.C.E. authorized RMA #. To obtain an RMA # please provide I.C.E. tech support with the game serial # or original I.C.E. invoice # and a detailed description of the failure or fault symptoms.

I.C.E. Inc will assume no liability whatsoever for costs associated with labor or travel time to replace defective parts. All defective warranty covered components will be replaced with new or factory refurbished components equal to OEM specifications.

I.C.E. Inc will cover domestic UPS ground, or comparable shipping costs during the warranty period. International or expedited shipments are available for an additional charge. To obtain credit defective parts must be returned to I.C.E. Inc, at the customer's expense, within 30 days. After 30 days a 15% re-stocking fee will apply to all returns.

ICE distributors are independent, privately owned and operated. In their judgment, they may sell parts and/or accessories other than those manufactured by I.C.E. Inc. We cannot be responsible for the quality, suitability or safety of any non-I.C.E. part or modification (including labor) that is performed by such a distributor.

