



Operation & Service Manual For 42" & 50" Cabinets

040-0120-01 Rev. B

- Read this manual before use.
- Keep this manual with the machine at all times.



Table of Contents

Preface.....	4	Gun Power Harness Fuses.....	25
Safety.....	4	Opening the Gun Case.....	25
Warnings.....	5	Closing the Gun Case.....	25
Environmental Conditions.....	5	Gun Trigger Service.....	26
FCC Notices (United States).....	5	Gun Button Service.....	26
Chapter 1 — Introduction.....	6	Gun Coil Assembly Service.....	27
Cabinet Specifications.....	7	Gun Pot and Gear Service.....	28
Power Requirements (Approximate).....	7	The Gun PCB.....	29
Hardware Features.....	7	GVRI/O PCB Service.....	30
Chapter 2 — Installing a New Cabinet.....	8	Start Button Service.....	31
Chapter 3 — Playing a Game.....	9	50" LCD Monitor Service.....	32
Chapter 4 — Operator Menu and Game		42" LCD Monitor Service.....	32
Setup.....	10	42" Monitor Power Supply.....	33
Navigating the Menus.....	10	Computer Replacement.....	33
Main Menu.....	11	Coin Mech Replacement.....	34
System Tests Menu.....	12	Coin Meter Replacement.....	34
Using the Gun Test & Calibrate Screens.....	13	Power Distribution Service.....	35
Coinage Audits Menu.....	14	AC Power Plate.....	35
System Audits Menu.....	15	AC Power Strip Replacement.....	35
Game Audits Menu.....	16	DC Power Supply Replacement.....	36
Coinage Adjustments Menu.....	17	Marquee Florescent Light Service.....	37
System Adjustments Menu.....	18	LED Light Tubes (50" Cabinet).....	37
Game Adjustments Menu.....	19	Cold-Cathode Florescent Light (CCFL)	
Gun Adjustments Menu.....	20	Service.....	37
Reset Menu.....	21	Setting the Computer BIOS (CMOS),	
Chapter 5 — Software Restoration.....	22	DG41TY Motherboard.....	38
System Recovery Disk.....	22	Chapter 7 — Replacement Parts.....	42
Game Install CD.....	22	Chapter 8 — Troubleshooting.....	48
Chapter 6 — Service and Repair.....	23	Video Troubleshooting.....	48
Audio System Service.....	23	Audio Troubleshooting.....	49
Speaker Replacement (42" Cabinet).....	24	Gun Troubleshooting.....	49
Speaker Replacement (50" Cabinet).....	24	Miscellaneous Troubleshooting.....	50
Subwoofer Replacement.....	24	Checking the Game Dongle.....	51
Gun Service.....	24	Chapter 9 — Diagrams and Schematics.....	52
		Warranty Information.....	57

List of Figures

Figure 1. Cabinet Dimensions.....	7	Figure 23. Gun PCB	29
Figure 2. Coin Door with Key Locations.....	8	Figure 24. Gun Internal Parts	29
Figure 3. Back of the Marquee Front.....	8	Figure 25. GVRI/O Mini PCB, Version 04	30
Figure 4. Using the Guns	9	Figure 26. Start Button Assembly	31
Figure 5. Operator Buttons	10	Figure 27. 50" Monitor Mounting	32
Figure 6. Main Menu	11	Figure 28. Servicing the Coin Mech and Coin Meter	34
Figure 7. System Test Screens	12	Figure 29. AC Power Plate (Shown Without Labels).....	35
Figure 8. Gun Calibration Screens.....	13	Figure 30. Cold-Cathode Light Detail.....	37
Figure 9. Coinage Audits Menu	14	Figure 31. 42" Cabinet Artwork	44
Figure 10. System Audits Menu.....	15	Figure 32. 50" Cabinet Artwork	45
Figure 11. Game Audits Menu	16	Figure 33. Gun Exploded-View Drawing.....	47
Figure 12. Coinage Adjustments Menu.....	17	Figure 34. USB Game Dongle	51
Figure 13. System Adjustments Menu	18	Figure 35. GVRI/O Wiring Diagram (42" Cabinet).....	52
Figure 14. Game Adjustments Menu	19	Figure 36. Gun Wiring Diagram.....	53
Figure 15. Gun Adjustments Menu.....	20	Figure 37. Overall Cabinet Wiring Diagram (42" Cabinet)	54
Figure 16. Reset Menu	21	Figure 38. Power Distribution Diagram	55
Figure 17. Audio Wiring with 5.1 Audio Amp...	23	Figure 39. Computer Rear Panel Diagram (DG41TY Motherboard)	56
Figure 18. Gun Case Screws	25		
Figure 19. Gun Trigger Assembly.....	26		
Figure 20. Gun Button, Lamp, and Micro Switch	27		
Figure 21. Gun Coil Assembly Service.....	27		
Figure 22. Gun Pot Replacement	28		

Preface

Safety

Please read this page before preparing your arcade cabinet for game play.

The following safety instructions apply to all game operators and service personnel. Specific warnings and cautions will be included throughout this manual.

Use the following safety guidelines to help protect the system from potential damage and to ensure your personal safety:

- Electronic components in the game cabinet run on 115 VAC. The voltage switch on the back of the computer must be set to 115. If you power up the computer outside of the cabinet, set the switch to match the local AC voltage:
 - 115 volts / 60Hz in most of North and South America and some Far Eastern countries such as Japan, South Korea and Taiwan
 - 230 volts / 50Hz in most of Europe, the Middle East and the Far East
- To help prevent electric shock, plug the system into a properly grounded power source. These cables are equipped with 3-prong plugs to help ensure proper grounding. Do not use adapter plugs or remove the grounding prong from a cable. If you must use an extension cable, use a 3-wire cable with properly grounded plugs.
- To help protect your system from sudden increases and decreases in electrical power, use a surge suppressor, line conditioner or Uninterruptible Power Supply (UPS).
- Be sure nothing rests on the system's cables and that the cables are not located where they can be stepped on or tripped over.
- Keep your system far away from radiators and other heat sources.
- Do not block cooling vents.

Precautions for Game Operation

- To avoid injury and accidents, people who fall under the following categories should not play the game:
 - Those who need assistance when walking.
 - Those who have high blood pressure or a heart problem.
 - Those who have experienced muscle convulsions or loss of consciousness when playing a video game or similar activities.
 - Those who have trouble in the neck or spinal cord.
 - Intoxicated persons.
 - Pregnant women.
 - Persons susceptible to motion sickness.
 - Persons who do not abide by the warning labels on the game.
- A player who has never been adversely affected by light stimulus might experience dizziness or headache when playing the game. Small children can be especially susceptible to these conditions. Caution guardians of small children to keep watch over their children during play.
- Instruct those who feel sick during play to see a doctor.
- To avoid injury from falling objects, and electric shock due to spilled drinks, instruct players not to place heavy items, food, or drinks on the product.
- To avoid electric shock or short circuit, do not allow customers to put hands and fingers or extraneous matter in the openings of the product.
- To avoid risk of injury from falling, immediately stop customers from leaning against or climbing on the product.

Warnings



To avoid electrical shock, unplug the cabinet before performing installation or service procedures.

If the power cord is damaged, it must be replaced by the equivalent power cord available from GLOBAL VR or your distributor.



GLOBAL VR® assumes no liability for any damages or injuries incurred while setting up or servicing the cabinet. Only qualified service personnel should perform installation or service procedures!

Environmental Conditions

Cabinet is intended for indoor use only. Be sure to keep the cabinet dry and maintain operating temperatures of 59°—86°F (15°—30°C).

FCC Notices (United States)

Electromagnetic Interference (EMI) is any signal or emission radiated in free space or conducted along power or signal leads, that endangers the functioning of radio navigation or other safety service, or that seriously degrades, obstructs, or repeatedly interrupts a licensed radio communications service. Radio communications services include, but are not limited to, AM/FM commercial broadcast, television, cellular services, radar, air-traffic control, pager, and Personal Communication Services (PCS). These licensed services, along with unintentional radiators such as digital devices (including computer systems) contribute to the electromagnetic environment.

Electromagnetic Compatibility (EMC) is the ability of items of electronic equipment to function properly together in the electronic environment. While this computer system has been designed and determined to be compliant with regulatory agency limits for EMI, there is no guarantee that interference will not occur in a particular installation. If this equipment does cause interference with radio communications services, which can be determined by turning the equipment off and on, you are encouraged to try to correct the interference by one or more of the following measures:

- Re-orient the receiving antenna.
- Relocate the cabinet relative to the receiver.
- Plug the game into a different outlet so that the computer and the receiver are on different branch circuits.

If necessary, consult a Regulatory EMC representative of GLOBAL VR® or an experienced radio/television technician for additional suggestions. You may find the [FCC Interference Handbook](#), to be helpful. It is available from the U.S. Government Print Office, Washington, DC 20402.

This device has been tested and complies with the limits for a Class A digital device pursuant to Part 15 of the FCC Rules. These limits are designed to provide reasonable protection against harmful interference when the equipment is operated in a commercial environment. This equipment generates, uses, and can radiate radio frequency energy. If not installed and used in accordance with the instruction manual, it may cause harmful interference with radio communications. Operation of this equipment in a residential area is likely to cause harmful interference, in which case you will be required to correct the interference at your own expense.

Operation is subject to the following conditions:

- This device may not cause harmful interference.

This device must accept any interference received, including interference that may cause undesired operation.

Chapter 1 — Introduction



THIS IS NOT JUST ANOTHER BUG HUNT!

It's been years since the Colonial Marines left planet LV-426 and the Alien population behind. It's time to go back to finish off the Alien race...and more!

The world seems familiar, but the scenario is not.

Since the Marine's last visit, the *Weyland-Yutani Corporation* reprogrammed an army of synthetic humans to stop anything from getting in the way of the company's development of their deadly Bio Weapons. It's not as simple as just killing the Alien Queen any more.

Game Features:

- Force-feedback recoil gun action
- 2 player simultaneous cooperative action
- Original licensed characters
 - Colonial Marines, Face Hugger, Warrior Aliens, and Eggs
- State of the art arsenal includes:
 - M41-A Pulse Rifle, Flamethrower, Grenades, and Missile Launcher
- Power-Up for Health, Ammo, Grenades, Missiles, and Flame Canisters
- 4 Levels of Nail Biting Action
- Two Different Play Modes – Story and Chapter

Cabinet Specifications



Figure 1. Cabinet Dimensions

Power Requirements (Approximate)

42" Cabinet:	115 VAC	230 VAC
	• Inrush AC Current: 7 Amps	• Inrush AC Current: 3.5 Amps
	• Operating AC Current: 5 Amps	• Operating AC Current: 3 Amps
50" Cabinet:	115 VAC	230 VAC
	• Inrush AC Current: 7 Amps	• Inrush AC Current: 3.5 Amps
	• Operating AC Current: 5 Amps	• Operating AC Current: 3 Amps

Hardware Features

- Pentium® computer
- 1 gigabyte RAM
- Nvidia® GeForce® graphics
- 42" or 50" HD LCD monitor
- Enhanced audio with subwoofer
- Supports dollar bill validator
- State-of-the-art cabinet design with unique edge-lit control panel
- Mounted guns with force-feedback recoil action and LED ammo readout
- Reliable USB Gun interface
- Eye-catching 3-D Marquee on 50" model

Chapter 2 — Installing a New Cabinet

Use the following procedure to install a new cabinet:

1. Carefully remove the cabinet from the shipping container, giving yourself plenty of space around the cabinet. Inspect the exterior of the cabinet for any damage.
2. Remove the keys from the coin return slot. Open the coin door to locate the second set of keys (see 0).

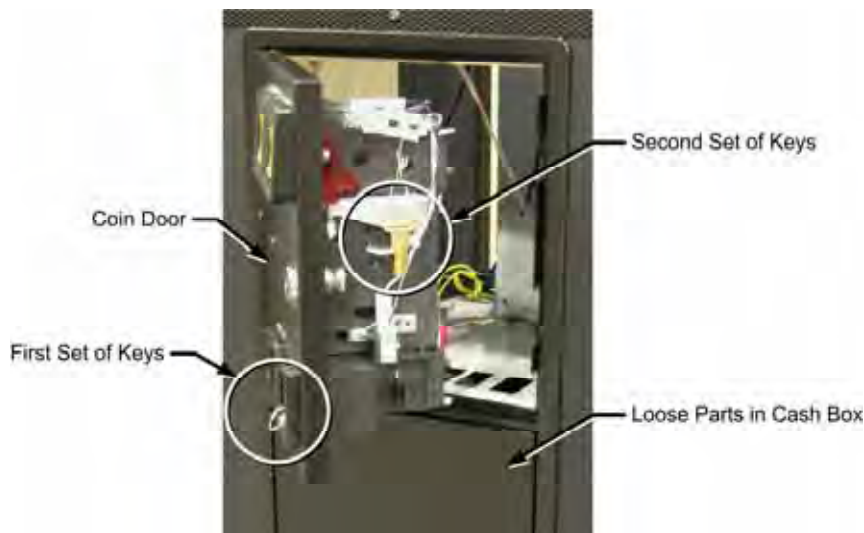


Figure 2. Coin Door with Key Locations

3. **50" Cabinet:** Refer to the document *50" Cabinet Installation Instructions* (Part #: 040-0246-01) for complete instructions on setting up the display stand with the monitor and marquee.
4. **42" Cabinet:** Unpack the marquee front. Remove the five (5) nuts and washers from the pre-installed screws with standoffs, shown by the rectangles below. (Leave the standoffs in place.) Remove the three (3) wood screws, shown by the circles below, from the back of the support piece at the top. Use this hardware to secure the marquee front in place on top of the cabinet.
5. Connect the AC power cord to a grounded outlet and power on the game.
6. Play a game to verify everything is working properly.
7. Refer to Chapter 4 for information on using the Operator menus to set up your game.

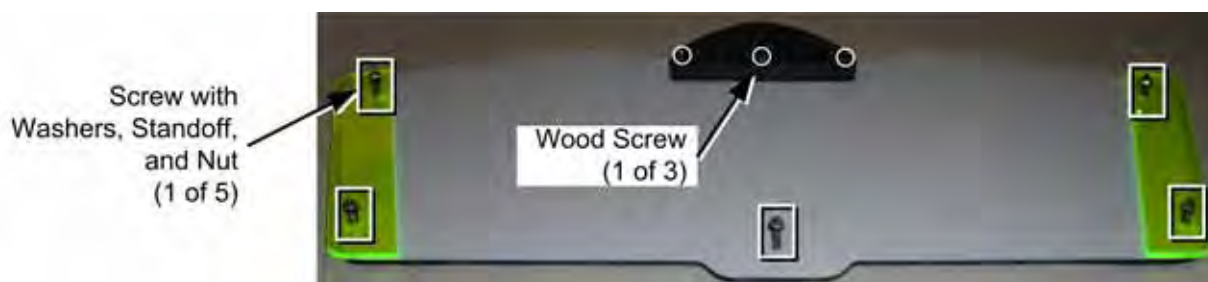


Figure 3. Back of the Marquee Front

Chapter 3 — Playing a Game

Playing the game is easy and intuitive. Blast the aliens, but don't hit the other marines!

1. Insert coins and press the START button next to the gun you want to use.
2. Select Story mode, where you start at the beginning, or Chapter mode, where you pick your starting level. (You can disable Chapter mode from the Operator menu.)
3. Shoot at the aliens with guns, flamethrower, grenades and rockets as you automatically move through the base. See the picture below for special features of the gun.
4. Don't shoot the other marines! Hitting them depletes your health.
5. Shoot at weapons and medical kits to increase your ammunition and health. Gather special weapons and fuel for your flamethrower.
6. When your game is about to end, a countdown appears onscreen. To continue, insert coins and press the START button on your side.



Figure4. Using the Guns

Chapter 4 — Operator Menu and Game Setup

This chapter describes the Game Operator menus, their functions, and default settings. These menus let you set up the game, diagnose problems, and view gameplay and earnings statistics.

Navigating the Menus

1. Open the coin door and press the red **TEST/BACK** button to open the Operator **Main Menu**.
2. Use the **VOL UP** and **VOL DN** buttons to navigate through the list of menu items. Each item will flash as it is highlighted.
3. Press the green **SELECT** button to open a sub-menu or select an item when it is highlighted.
4. To change the setting for a menu item, highlight the item and press **SELECT**, and then use the **VOL UP** and **VOL DN** buttons to modify the setting. When you finish, press **TEST/BACK** to exit from the item.
5. The last item in each submenu will take you back to the previous menu when you press **SELECT**. (Pressing the **TEST/BACK** button to automatically highlight this item.)
6. Once you get back to the **Main Menu**, highlight **EXIT TO GAME** and press **SELECT** to return to the Attract Mode.



Figure 5. Operator Buttons

Main Menu

The main menu appears first when you press the **TEST/BACK** button. This is the starting point for all features of the Operator Menus.

The information box that appears on the right side of this screen lists important information about the hardware and software in the game.

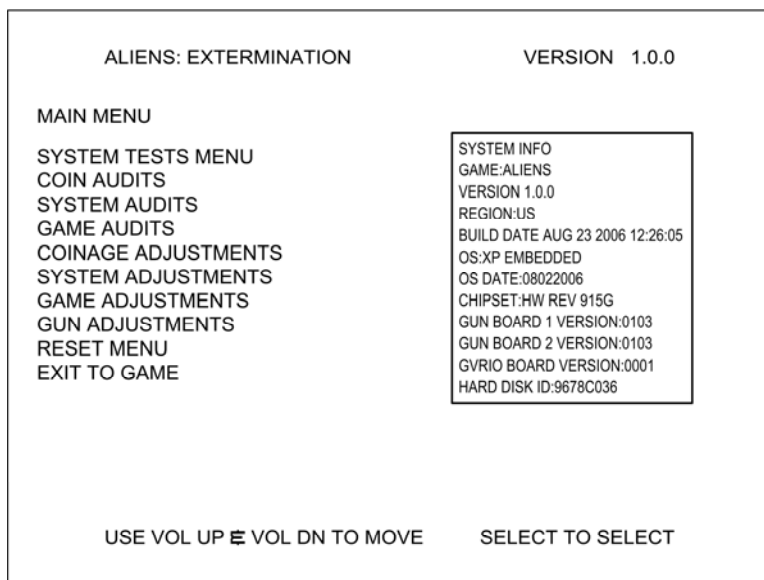


Figure 6. Main Menu

Menu Item	Description
SYSTEM TESTS MENU	Opens System Tests where you can test and calibrate the guns, test the buttons, switches, and audio, or display video test screens to help you adjust the video.
COIN AUDITS	Opens Coinage Audits where you can view earnings statistics.
SYSTEM AUDITS	Open System Audits where you can view basic game play statistics.
GAME AUDITS	Opens Game Audits where you can view detailed game play statistics.
COINAGE ADJUSTMENTS	Opens Coinage Adjustments where you can set up pricing and coin mechs.
SYSTEM ADJUSTMENTS	Opens System Adjustments where you can set up audio volume and attract mode sounds, and set the video gamma.
GAME ADJUSTMENTS	Opens Game Adjustments where you can set the minimum game time and turn the Chapter Select Screen on or off.
GUN ADJUSTMENTS	Opens Gun Adjustments where you can set up gun features, or flip the guns if they should happen to be wired backwards.
RESET MENU	Opens Reset Menu where you can clear credits, audits, and adjustments, or return the game to factory default settings.
EXIT TO GAME	Returns you to the Attract Mode.

System Tests Menu

Each item in the System Tests menu opens another menu, as shown below, that lets you test various game functions.

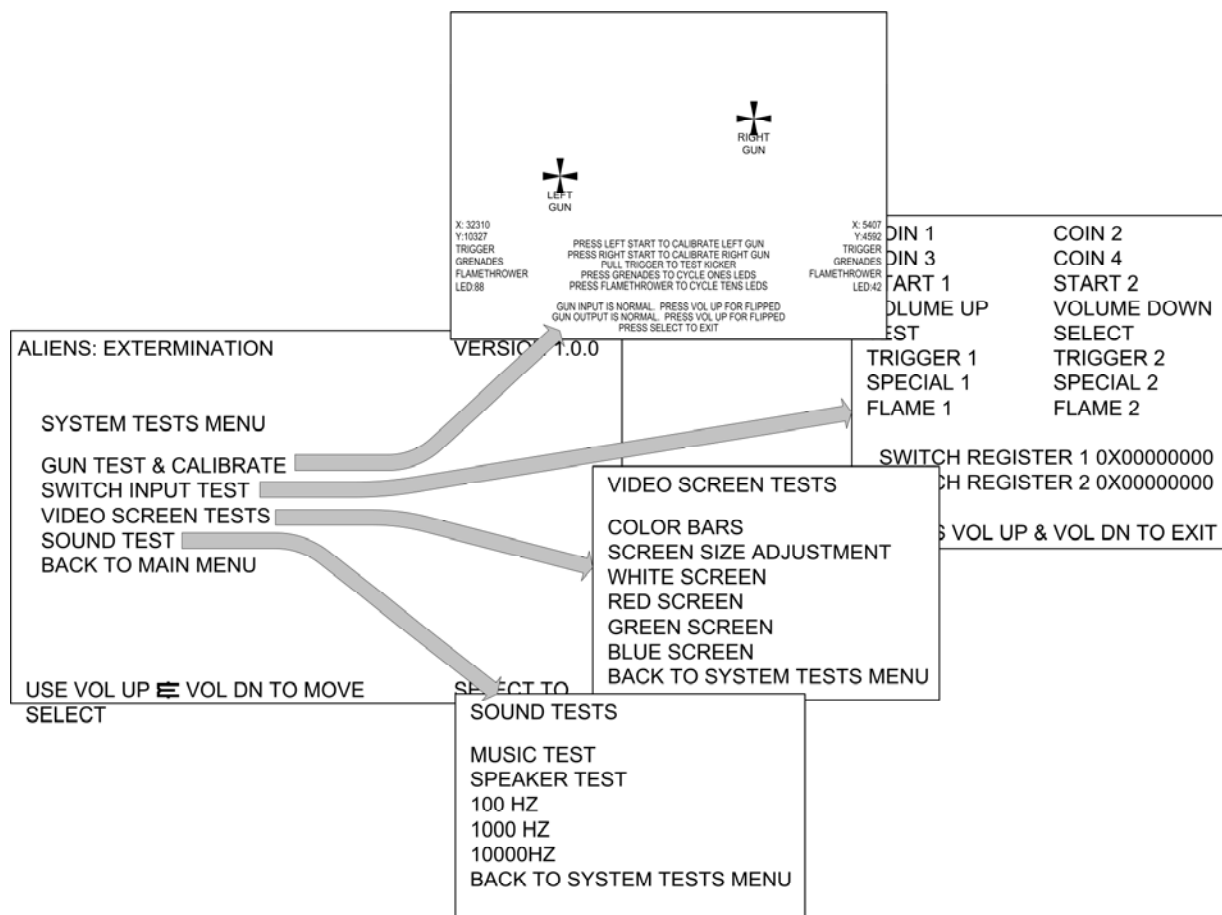


Figure 7. System Test Screens

Menu Item	Description
GUN TEST & CALIBRATE	The Gun Calibration screens allow you to calibrate the guns so they aim properly. Refer to <i>Using the Gun Test & Calibrate Screens</i> , on page 13, for instructions on calibrating the guns.
SWITCH INPUT TEST	The Switch Input screen lists each switch on the cabinet. To confirm a switch is working, operate the switch and observe that it highlights on the screen. Press the VOL UP and VOL DN buttons together to exit from the test screen.
VIDEO SCREEN TESTS	Each item on the Video Screen Tests menu opens a screen that helps you adjust the video using the monitor remote control board located inside the coin door. Press the Select button to close these screens.
SOUND TEST	The items on the Sound Tests menu help you diagnose audio problems. Music Test plays music to help you judge audio quality. Speaker Test plays each speaker in turn, followed by both speakers in stereo. The remaining items each play a tone at the stated frequency, to test the speaker frequency response.
BACK TO MAIN MENU	Returns you to the Main Menu.

Using the Gun Test & Calibrate Screens

1. Select **GUN TEST & CALIBRATE** from the System Tests menu. The screen shown below on the left will open. Observe the lists on the left and right side of the screen. Each of these provides information about the gun on that side of the cabinet.
2. Move a gun and observe the corresponding icon moving on the screen. When the gun is properly calibrated, you should be able to move the icon all around the edge of the screen, without going off the screen. Note that the coordinate numbers next to X and Y on the screen change as you move the gun.
3. Press the Trigger, Flamethrower, and Grenade buttons and observe that the corresponding word changes color onscreen. You should also feel the *Kicker* (force-feedback recoil) when you pull the trigger.
4. To test the gun LED display, press the Grenade button to cycle the ones-place LED, and press the Flamethrower button to cycle the tens-place LED. Confirm all LED segments light, and the readout matches the onscreen number next to LED for that gun.
5. To calibrate the right gun (Player 2), press the START button for that gun.
6. The Gun Calibration screen, shown below on the right, will appear. When the screen first appears, only the **PLAYER 2 GUN LEFT** numbers will be visible, and a blue triangle will be visible at the far left of the screen, as shown below.

As you move the gun, the numbers next to **PLAYER 2 GUN LEFT** will change, indicating the gun position. Point the gun at the far left of the screen, as indicated by the triangle, and pull the trigger to set the position.
7. Once you set the **LEFT** position, **PLAYER 2 GUN RIGHT** will automatically become active, and a blue triangle will appear at the far right of the screen. Move the gun all the way to the right and pull the trigger.
8. Set the **UP** and **DOWN** positions the same way. Once you set the **DOWN** position, the screen shown below on the left will appear again.
9. When finished testing guns, press the **SELECT** button to return to the System Tests Menu.

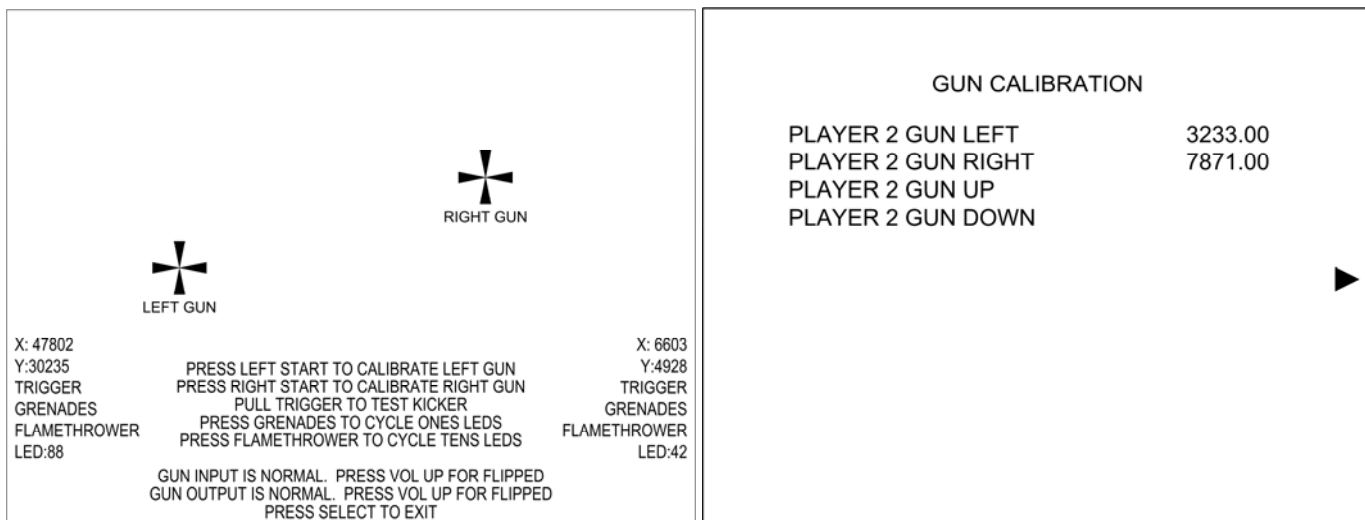


Figure 8. Gun Calibration Screens

Coinage Audits Menu

This screen provides basic coin count information.

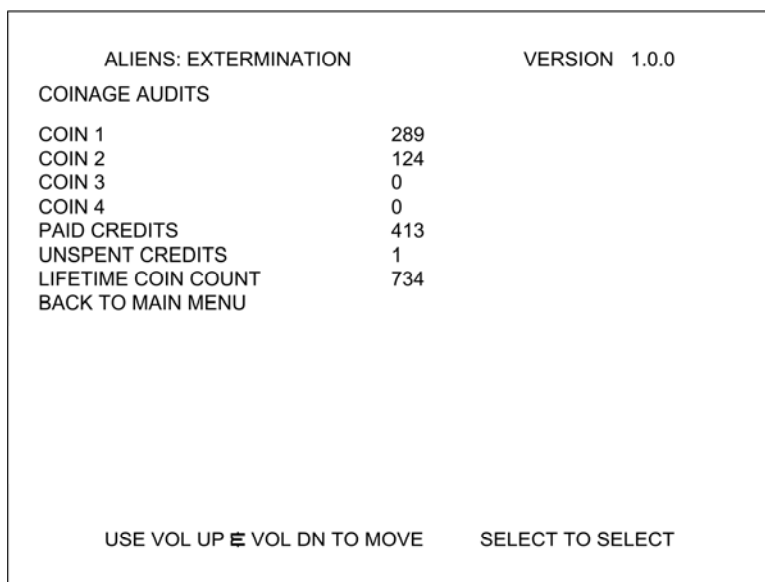


Figure 9. Coinage Audits Menu

Menu Item	Description
COIN 1	Displays current coin count for COIN 1, used for coin mechs 1 and 2.
COIN 2	Displays current coin count for COIN 2, used for the optional dollar bill validator.
COIN 3	Not used.
COIN 4	Not used.
PAID CREDITS	Displays total credits inserted since the last reset.
UNSPENT CREDITS	Displays credits currently available.
LIFETIME COIN COUNT	Displays total credits inserted since the software was installed.
BACK TO MAIN MENU	Returns you to the Main Menu.

System Audits Menu

This screen provides basic game play statistics.

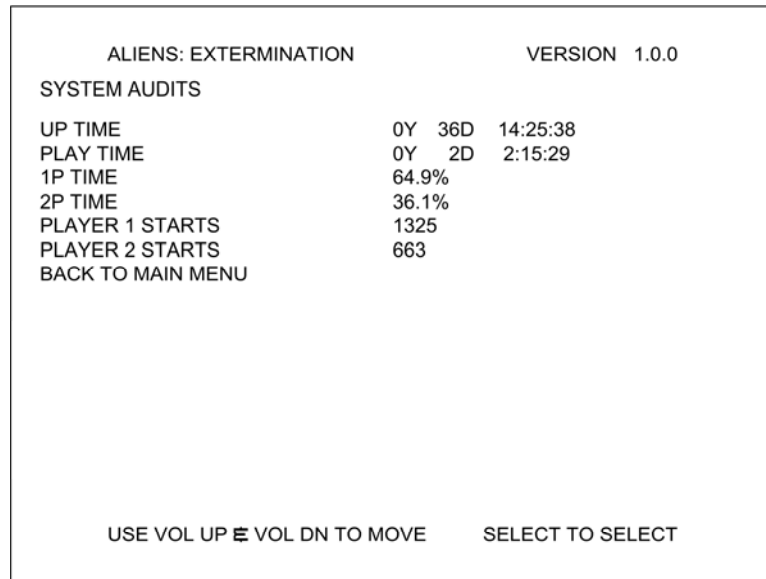


Figure 10. System Audits Menu

Menu Item	Description
UP TIME	Displays total time the cabinet has been turned on since the software was installed. Format is: years days hours:minutes:seconds
PLAY TIME	Displays total game play time since the software was installed. Format is: years days hours:minutes:seconds
1P TIME	Displays the percent of total play time that is for Player 1.
2P TIME	Displays the percent of total play time that is for Player 2.
PLAYER 1 STARTS	Displays the number of times a game has been started for Player 1.
PLAYER 2 STARTS	Displays the number of times a game has been started for Player 2.
BACK TO MAIN MENU	Returns you to the Main Menu.

Game Audits Menu

The Game Audits Menu provides access to all of the game audit screens, where you can view game play and earnings statistics.

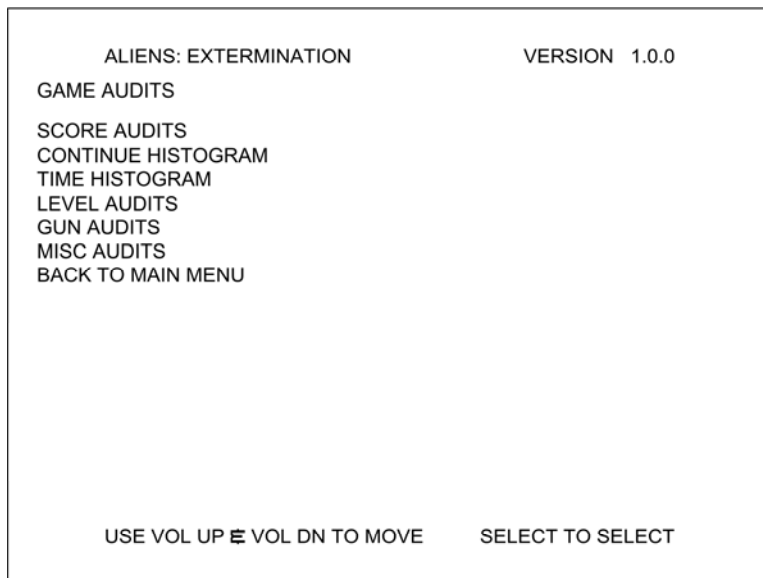


Figure 11. Game Audits Menu

Table 1. Game Audits Menu Items

Menu Item	Description
SCORE AUDITS	Displays the average score and high score for the cabinet.
CONTINUE HISTOGRAM	Opens the Continue Histogram, a graph that shows how many players have continued from each level.
TIME HISTOGRAM	Opens the Time Histogram, a graph that shows how many players have played for specific lengths of time.
LEVEL AUDITS	Displays start and finish information for each game play level.
GUN AUDITS	Displays detailed statistics on how players have used the various weapons, including the number of shots and hits, and power-ups collected.
MISC AUDITS	Displays additional detailed game play statistics.
BACK TO MAIN MENU	Returns you to the Main Menu.

Coinage Adjustments Menu

The Coinage Adjustments Menu lets you set up the coin mechs and set game pricing.

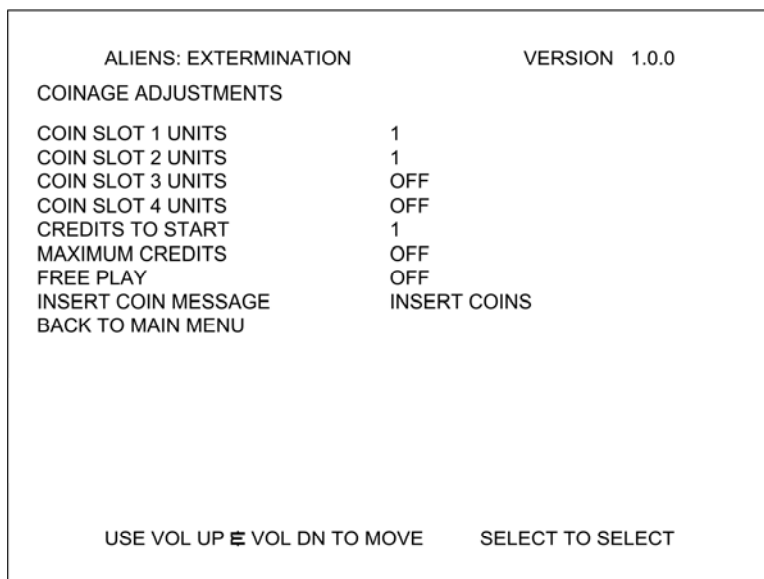


Figure 12. Coinage Adjustments Menu

Table 2. Coinage Adjustments Menu

Menu Item	Description
COIN SLOT 1 UNITS	Sets the units per coin drop for the selected coin slot. Coin Slot 1 is used for both coin mechs. Coin Slot 2 is used for the optional Dollar Bill Validator (DBV). Coin Slots 3 & 4 are not currently supported.
COIN SLOT 2 UNITS	
COIN SLOT 3 UNITS	
COIN SLOT 4 UNITS	
CREDITS TO START	Sets the number of credits to start a game.
MAXIMUM CREDITS	Sets the maximum number of credits that can be inserted at one time (1—99), or set to OFF for no maximum.
FREE PLAY	Turns Free Play On or Off
INSERT COIN MESSAGE	Sets the payment message displayed in Attract Mode. (Options: Insert Coins, Insert Card, Insert Key, Swipe Card)
BACK TO MAIN MENU	Returns you to the Main Menu.

System Adjustments Menu

This screen provides audio adjustments and video gamma settings.

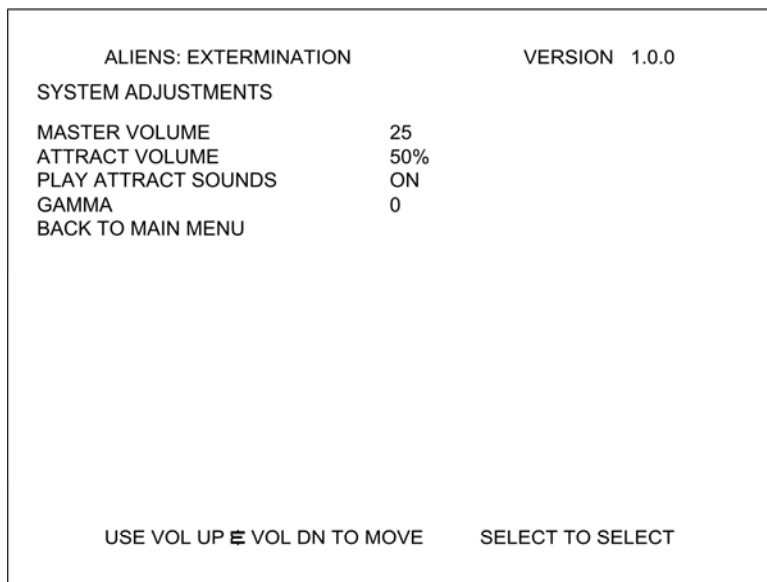


Figure 13. System Adjustments Menu

Menu Item	Description
MASTER VOLUME	Increases or decreases the Master volume. Plays music during adjustment to help you judge the setting. (Range is 0—100.) (This has the same effect as using the VOL UP & VOL DN buttons in attract mode.)
ATTRACT VOLUME	Sets the Attract Mode volume as a percent of the Master Volume.
PLAY ATTRACT SOUNDS	Sets whether the Attract Mode plays sound effects (Alien scream, etc.) Options are ON, OCCASIONALLY, or OFF.
GAMMA	Increases or decreases the overall screen brightness.
BACK TO MAIN MENU	Returns you to the Main Menu.

Game Adjustments Menu

This screen allows you to set some game play timing settings, turn the Chapter Select option on or off, and select whether to play all five levels or only the three that are less violent.

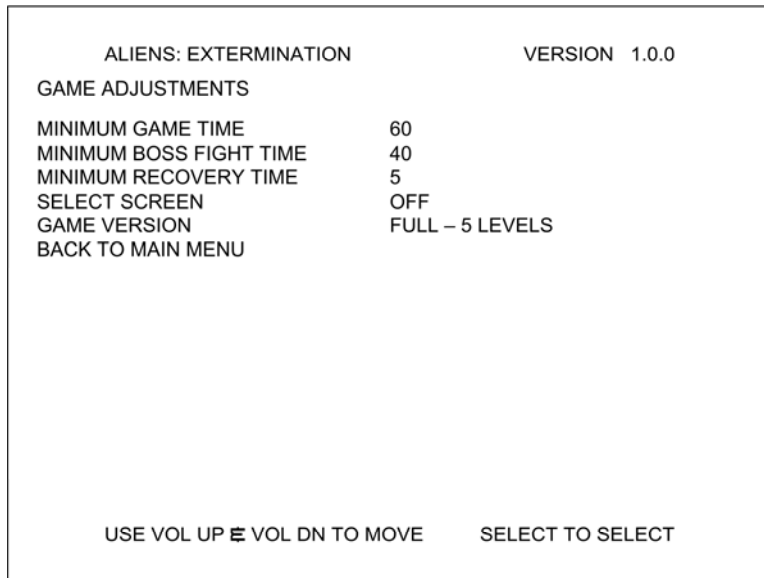


Figure 14. Game Adjustments Menu

Menu Item	Description
MINIMUM GAME TIME	Sets the minimum time a game will run, in seconds. Ensures less skilled players get at least this much gameplay time. (Range: OFF—180; Default 80)
MINIMUM BOSS FIGHT TIME	Sets the minimum gameplay time for the boss fight at the end of a level, in seconds. Overrides 'MINIMUM GAME TIME' setting during boss fights. (Range: OFF—180; Default: 40)
MINIMUM RECOVERY TIME	Grace period, in seconds, after a player is hit until the player can be hit again. (Range: OFF—20; Default: 3)
SELECT SCREEN	Turns the Chapter Select screen ON or OFF. Turning this ON allows players to pick which chapter they want to play; OFF forces them to start at the beginning of the story. (Default: ON)
GAME VERSION	Sets game to FULL – 5 LEVELS or LITE – 3 LEVELS. LITE plays in Story Mode only, and omits the two levels that are the most violent. (Default: FULL)
BACK TO MAIN MENU	Returns you to the Main Menu.

Gun Adjustments Menu

This screen allows you to adjust how the guns perform.

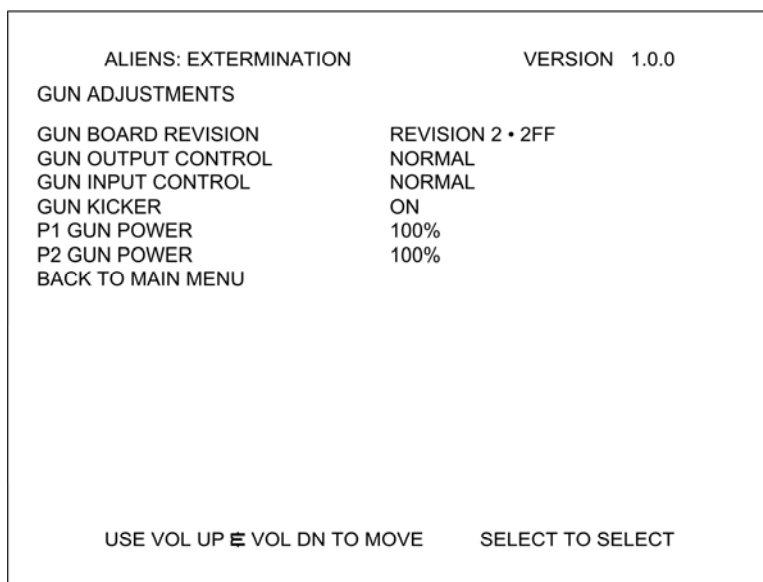


Figure 15. Gun Adjustments Menu

Menu Item	Description
GUN BOARD REVISION	Set this to the version of gun board installed.
GUN OUTPUT CONTROL	These options let you compensate if the guns are wired backwards (for example, if firing Gun 1 causes recoil in Gun 2). Setting both options to FLIPPED will reverse the input and output signals the guns send to the system computer. <i>(Options: NORMAL or FLIPPED)</i>
GUN INPUT CONTROL	
GUN KICKER	Turns gun force feedback recoil ON or OFF.
P1 GUN POWER	Sets the strength of the force feedback recoil for the selected gun. 100% is considered normal. Higher numbers make the recoil stronger; lower numbers make the recoil weaker. <i>(Options: 25%-133%; Default: 100%)</i>
P2 GUN POWER	
BACK TO MAIN MENU	Returns you to the Main Menu.

Reset Menu

This menu lets you reset high scores, credits, audits, and adjustments, or restore the cabinet to factory defaults. Be aware that when you highlight an item and press the SELECT button, there is no confirmation screen—the reset occurs immediately.

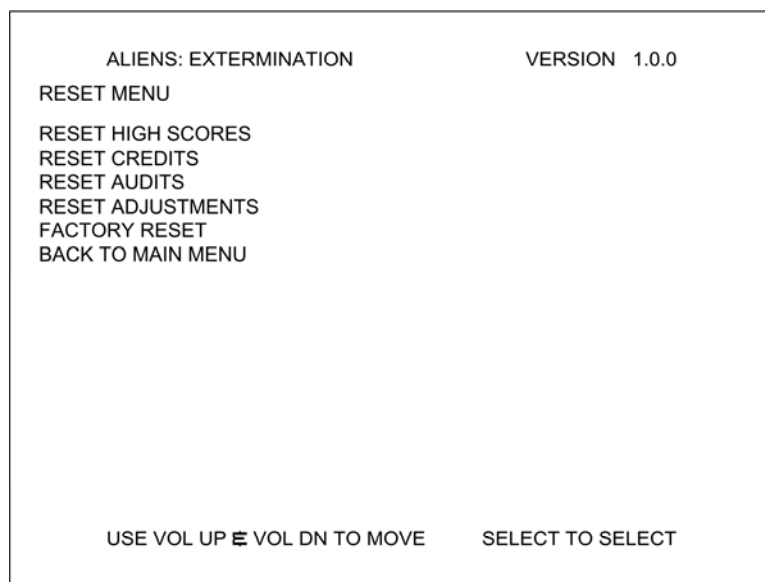
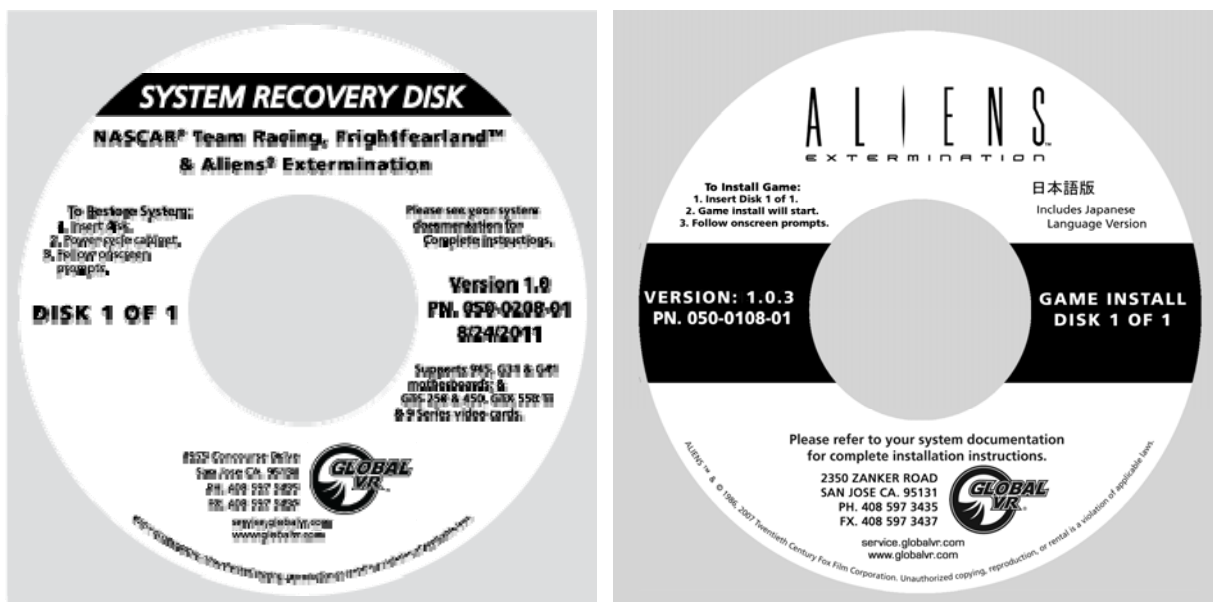


Figure 16. Reset Menu

Menu Item	Description
RESET HIGH SCORES	Deletes the high scores saved and displayed in the game.
RESET CREDITS	Sets inserted credits to zero (0).
RESET AUDITS	Sets all audits to zero (0). Does not affect lifetime totals or game settings.
RESET ADJUSTMENTS	Returns all adjustments to default values.
FACTORY RESET	Returns all settings to factory default values. Does not affect audits.
BACK TO MAIN MENU	Returns you to the Main Menu.

Chapter 5 — Software Restoration



Follow the instructions below if you need to re-install software on your cabinet.
Total installation time is about 15-20 minutes.

Important: When you use the System Recovery Disk, you will erase all game settings, and coin and game audits. It is advisable to contact Technical Support before using the System Recovery Disk to resolve a problem.

System Recovery Disk

1. With the cabinet powered ON, open the CD drive and insert the CD labeled **System Recovery Disk**. Power the cabinet OFF and then ON. The computer will boot from the CD, and you will see the Symantec™ Ghost installer screen on the monitor.
2. After about 5 minutes, when you are prompted, remove the CD and turn the cabinet OFF and then ON. (**Do not** insert the Game Install CD yet!)
3. When the computer reboots, you will see a series of processing screens. After about 3 minutes the computer will automatically reboot. You will briefly see a message to insert Game Disk 1, followed by the GLOBAL VR logo on the screen. Proceed to install the Game Install CD as described below.

Game Install CD

1. Open the CD drive and insert the CD labeled **Game Install Disk 1 of 1**. The computer will read the CD automatically (do not reboot). You will see the Installer screen as the software copies files, and after about 5 minutes the computer will reboot. (**Note:** During boot you will see Adjustment and High Score file error messages since these files are erased during system recovery.)
2. After about 2 minutes more, the game will start. Remove the disk from the CD drive.
3. Play a game to verify proper operation.
4. Press the Operator **TEST/BACK** button to enter the Operator Menus and set up your game.

Chapter 6 — Service and Repair



CAUTION: GLOBAL VR assumes no liability for any damage or injuries incurred while servicing the cabinet. Only qualified service personnel should perform service and installation of cabinet hardware.

To prevent electrostatic discharge (ESD) damage, handle PCBs by the edges only and use a grounding wrist strap or similar precaution.

Please read the service instructions before working on the cabinet.



Always turn the cabinet OFF and disconnect the AC power cord before performing any repair work.

Audio System Service

The figure below shows the audio wiring with the 5.1 Audio Amp. (Some 42" Cabinets may use the Audio Amp built into the GVRI/O Mini PCB instead.) Please refer to this figure to check audio connections or troubleshoot the audio system.

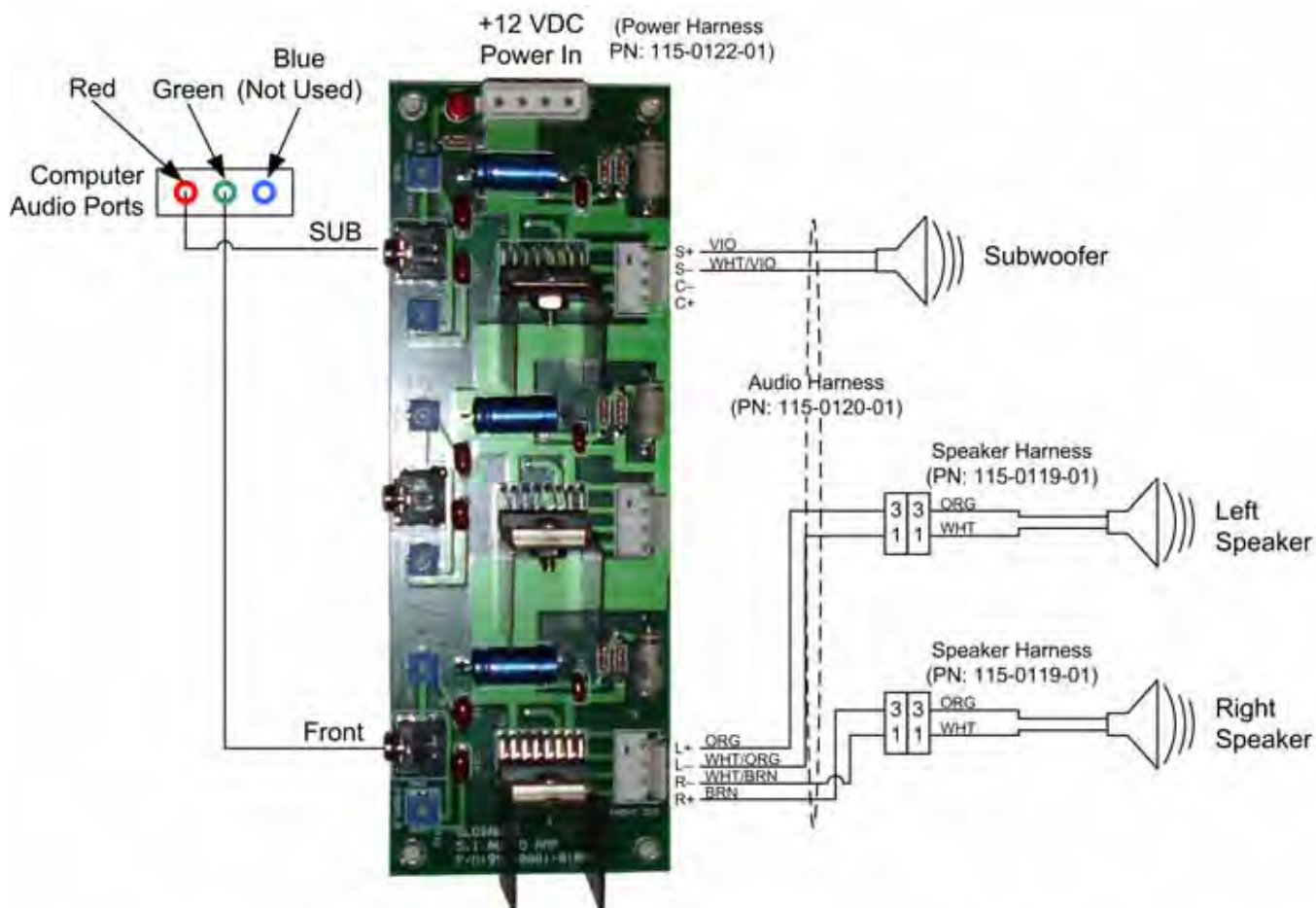


Figure 17. Audio Wiring with 5.1 Audio Amp

Speaker Replacement (42" Cabinet)

If you need to replace the left or right speaker, do the following:

1. Remove the lower door from the back of the cabinet.
2. Inside the cabinet, disconnect the Molex® connector that secures the speaker harness to the main audio harness.
3. Inside the cabinet, remove the two (2) nuts and washers that secure the speaker in place.
4. Outside the cabinet, remove the two wood screws that secure the speaker under the monitor housing.
5. Remove the speaker with the mounting bracket.
6. Remove the two (2) screws that secure the speaker to the mounting bracket.
7. Reverse these steps to install the new speaker.

Speaker Replacement (50" Cabinet)

The left and right speakers are located behind metal grills.

1. Remove the four (4) Torx® security screws that secure the speaker grill to the cabinet.
2. Remove the four (4) screws that secure the speaker to the cabinet.
3. Remove the wires from the speaker and install them to the same connectors on the replacement speaker.
4. Reverse these steps to re-install the speaker.
5. Run the **Sound Test** from **System Tests** in the Operator Menu to verify proper operation.

Subwoofer Replacement

The Subwoofer Replacement steps, for either cabinet, are the same as for the speaker replacement on the 50" Cabinet, above.

Gun Service

The subsections that follow describe steps for testing and replacing the gun components.

The gun body contains micro switches for the trigger, grenade button, and flamethrower button, and a coil and plunger assembly that creates the force-feedback recoil effect when the gun is fired. To service these parts, you need to open the gun case. See 0 for a view of the open gun assembly.

The base of the gun contains pots that relay the gun position to the computer. If the gun position is not being read properly, refer to the gun pot service steps on page 28. You **do not** need to open the gun case to test or replace the pots.

Important: If the guns are connected to the PCI USB ports, connect them according to the label above the ports. The ports used may vary depending on the brand of PCI USB card used. Guns can also be connected to the motherboard USB ports. See 0 on page 56 for more information.

Gun Power Harness Fuses

The gun power harness has two fuses, one for each gun. If a gun has no power, check the fuse and replace if necessary. Spare fuses are taped to the harness near the fuse holder. Replace with MDL 2A Slo Blo fuses.

Opening the Gun Case

Open the gun case to service the trigger, buttons, and coil assembly. You **do not** need to open the case to service the pots that aim the gun (see page 28). See 0 for a view of the open gun assembly

1. To open the gun case, first remove the 12 Torx security screws shown by the single arrows in the picture below, and remove the corresponding nuts from the other side of the gun.
2. Remove the four screws shown by the double arrows in the picture below. These screw into the frame, so there are no nuts to remove.
3. Carefully remove the left side cover from the gun, being careful not to pull the wires from the grenade button on the cover. The wires are long enough that you can set the cover on the control panel near the gun without disconnecting the wires.



Figure 18. Gun Case Screws

Closing the Gun Case

1. To close the gun case, first align the slots that fit around the gun PCB (with the LED display), and then carefully put the two halves together. Make sure no wires or components get caught or pinched. Pay special attention to the area around the trigger and spring, the wires coming out of the frame shaft, and the wires attached to the coil and barrel light.
2. Insert the four (4) 3/8" x 10-32 screws shown with the double arrows in 0. Partially tighten all four screws, verify the case is mating properly, and then tighten the screws snugly.
3. Check the trigger to make sure it works properly. The trigger or spring could shift while you are assembling the case.

4. Replace the remaining 8-32 screws and nuts, shown by the single arrows above, and tighten snugly. The screw at the top of the muzzle end is 3/4" long, and the two screws in the handle are 1" long, as shown above. All of the other screws are 1 1/4" long.

Gun Trigger Service

To replace the trigger spring, refer to the picture below for the placement of the spring in the gun housing.

Install the plastic trigger so it presses against the spring, and the bottom part of the trigger will press the switch actuator when a player pulls the trigger.

To replace the micro switch, remove the two screws that secure the switch in place. Remove the two wires and install them on the same terminals on the replacement switch.

Be sure to connect the signal wire to the **NO** connector (middle connector) and the black ground wire to the **C** connector.

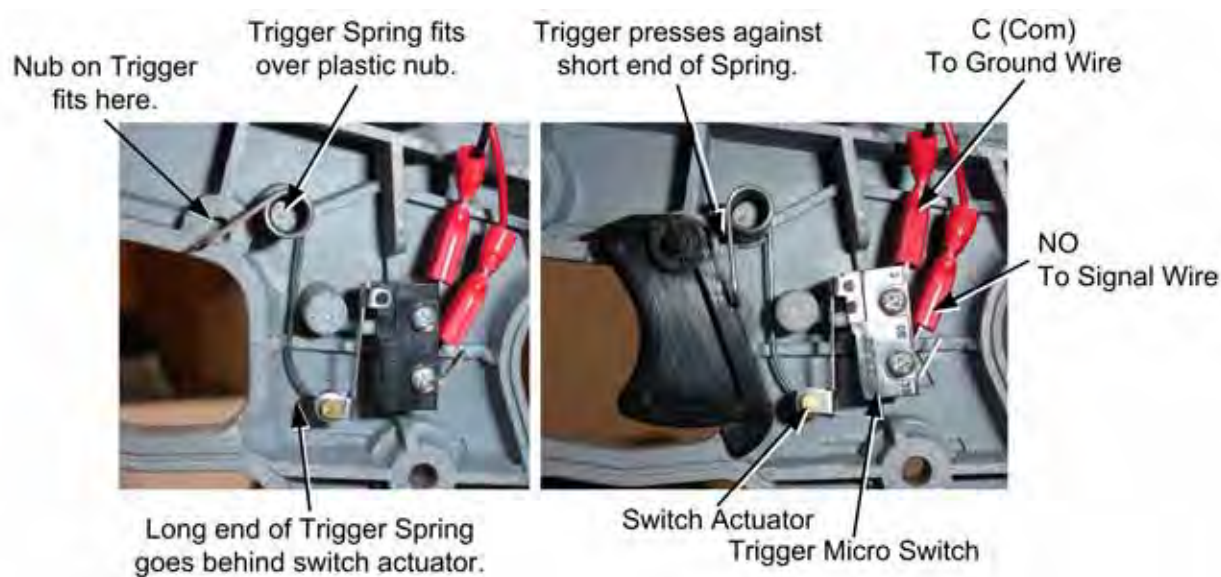


Figure 19. Gun Trigger Assembly

Gun Button Service

Refer to 0 for components of the lighted buttons used for the grenade and flamethrower features.

If you replace a button micro switch, be sure to connect the signal wire to the **NO** connector (middle connector) and the black ground wire to the **C** connector. If you connect the wires differently the button will not work.

To replace the light bulb, pull the lamp assembly straight out of the button housing, and then pull the bulb straight out of the lamp housing. The two lamp wires are interchangeable and can connect to either terminal on the lamp housing.

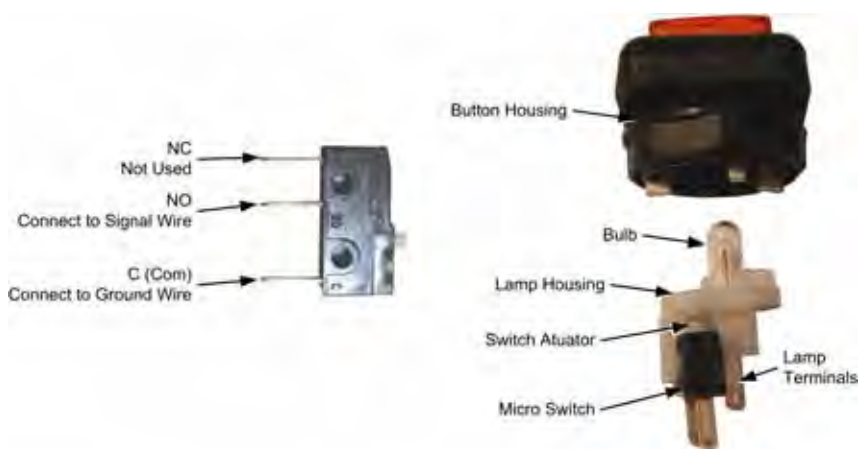


Figure 20. Gun Button, Lamp, and Micro Switch

Gun Coil Assembly Service

The coil assembly provides the force-feedback recoil when the gun is fired. Perform the following steps to replace components of the coil assembly:

1. Open the gun case as described on page 25.
2. Remove the two screws shown below from the right side of the gun.



3. Remove the nut that secures the ground wire to the ground lug on the side of the coil assembly mounting plate, as shown below.
4. Remove the two screws that secure the coil assembly mounting plate to the gun shaft, as shown below.

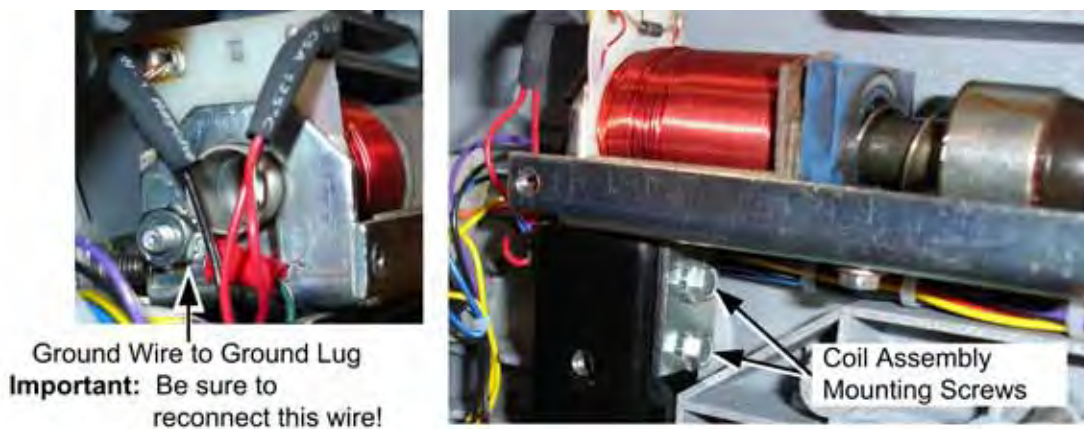


Figure 21. Gun Coil Assembly Service

5. Reverse these steps to re-install the coil assembly. Be sure to secure the ground wire to the ground lug on the coil assembly mounting plate.

Gun Pot and Gear Service

Each gun has two pots that measure the movement of the gun on the X-axis (left and right) and Y-axis (up and down). The X-axis pot is located under the gun base below the trigger. The Y-axis pot is located on the side of the gun base below the flamethrower button.

Use the **Gun Test & Calibrate** screen from **System Tests** in the Operator menu to test gun motion. To test a pot, power off the game and test resistance at the pot. When you move the gun, you should see a steady linear increase or decrease in resistance, with no jumps. Replace the gears if they are worn or cracked.

Refer to 0 for gun base components, and perform the following steps to replace a pot or gear shaft:

1. Remove the six (6) Torx security screws that secure the front and rear covers over the gun base, and remove the covers.
2. Remove the two mounting nuts and remove the metal mounting plate from the pot to be replaced.
3. Use an Allen wrench to loosen the set screw from the gear shaft, and remove the gear shaft.
4. Using a 1/2" wrench, remove the nut and lock washer that secure the pot to the frame.
5. De-solder the wires from the pot and solder them on the same terminals on the replacement pot.
6. Install the new 5K Ω pot with the same orientation. Make sure that the plastic keys on the pot mate properly with the metal.
7. Re-install the lock washer and nut, being careful not to over-tighten.
8. Re-install the gear shaft and tighten the set screw.
9. Calibrate the gun using the **Gun Test & Calibrate** screen from **System Tests** in the Operator menu after replacing a pot.

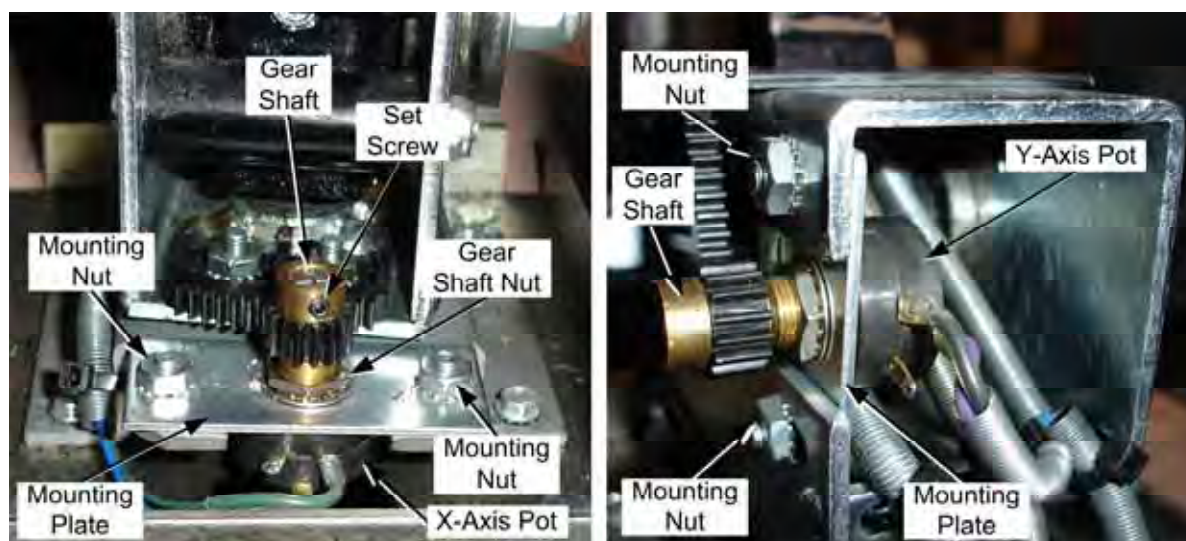


Figure 22. Gun Pot Replacement

The Gun PCB

The Gun PCB routes all signals within the gun, and between the gun and the system computer. It also has an LED display that shows remaining ammo during game play. Each connector on the Gun PCB is keyed to fit only to the correct harness connector. Refer to the picture below to locate the connectors on the PCB. See 0 on page 53 for detailed gun wiring information.

To replace the PCB, open the gun case as described on page 25. Slide the PCB out of the case and disconnect all connectors.

Caution: Disconnect the cabinet from AC power before making any connections to the Gun PCB. Hot-plugging any connector will damage the PCB.

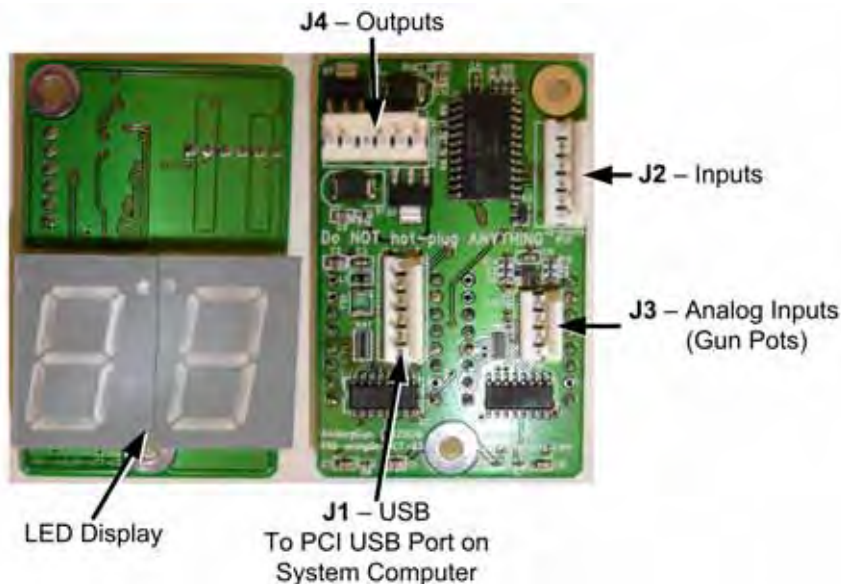


Figure 23. Gun PCB

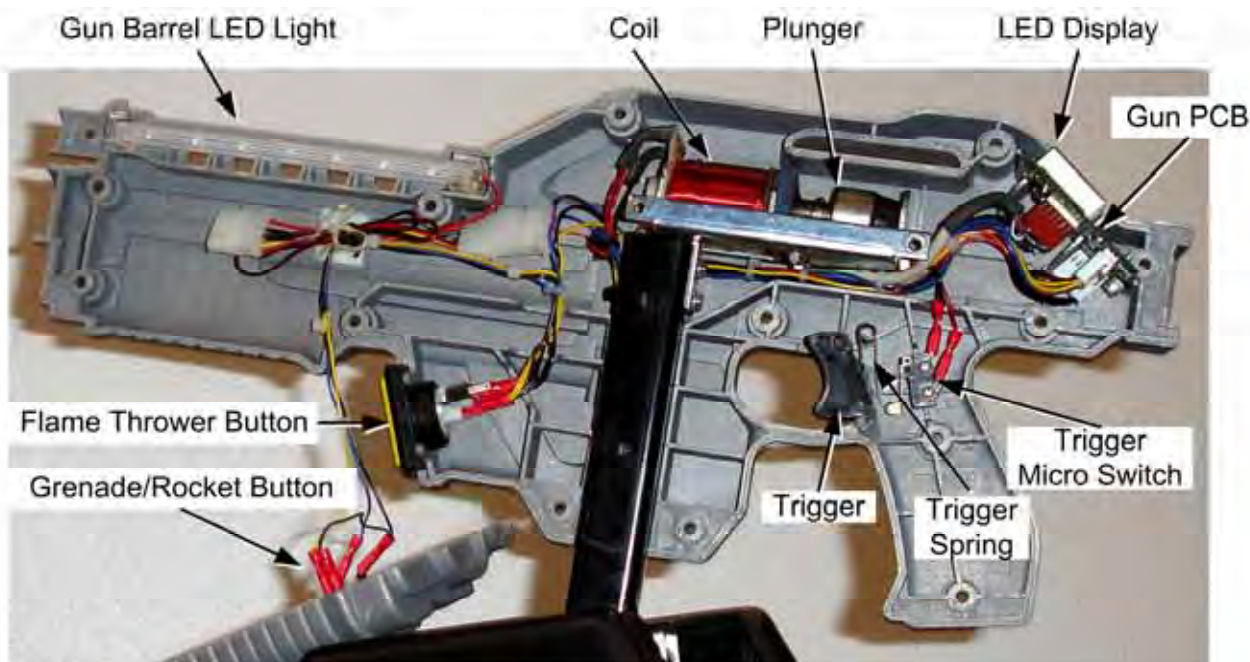


Figure 24. Gun Internal Parts

GVRI/O PCB Service

The GVRI/O Mini PCB relays the signals between the system computer and the controls. Each connector on the PCB is keyed to fit only to the correct harness connector.

The PCB must be programmed with the correct firmware. The firmware version is displayed in the Operator Menu under System Information.

Frightfearland, Paradise Lost, and Aliens[®] Extermination use the same firmware, so PCBs can be swapped between these three games, but not with other games.

Important: For PCB versions 02 and 04 place a jumper at position 2 of **J5 – Mode Select**. For versions 00 and 01 place a jumper across pins 4 & 5. The jumper puts the PCB in Keyboard Mode.

Check the Hardware Reference page on <http://service.globalvr.com> for detailed information on the various PCB versions.

See the figure below to identify the PCB connectors. See 0 on page 52 for detailed wiring information.

Caution: Disconnect the cabinet from AC power before making any connections to the PCB.

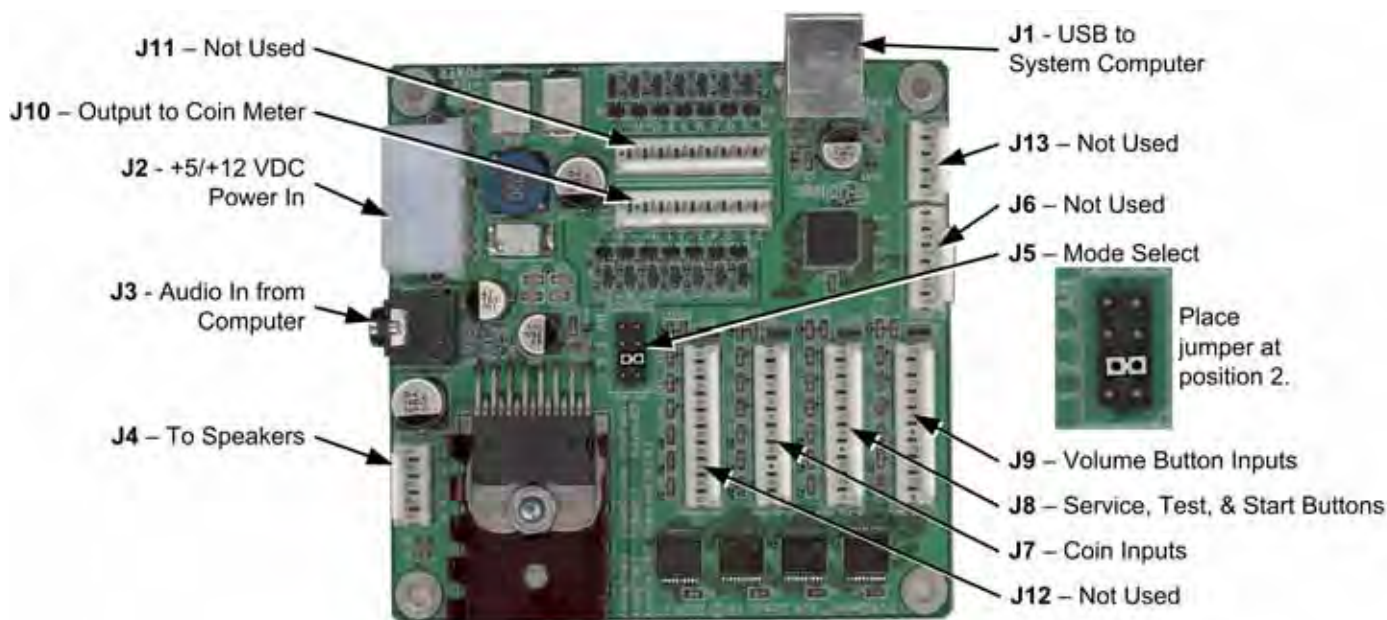


Figure 25. GVRI/O Mini PCB, Version 04

Start Button Service

The Start buttons for each player are illuminated with 12-volt lamps. Refer to 0 and perform the following steps to replace the buttons, lamps, and micro switches:

1. Disconnect the cabinet from AC power.
2. Open the coin door and reach up under the control panel to access the buttons.
3. To remove a micro switch, gently rock it to the side and remove it from the housing. Remove the wires and install them on the same connectors on the new micro switch.
4. To remove the lamp housing, gently rock the white plastic housing from side to side to pop it out of the button housing.
5. To remove the button from the control panel, unscrew the retaining ring from under the control panel.
6. To remove a lamp from the housing for replacement, pull it straight out of the lamp housing.
7. When connecting the wiring to the micro switch and lamp, refer to the labels on the wires and the figure below to make sure the connections are correct.

Caution: Do not connect the 12-volt lamp power wire to the micro switch. This could damage the GVRI/O PCB.

8. Reverse these steps to install the replacement button and micro switch. Connect the ground wire to the COM connector on the bottom of the switch housing, and the signal wire to the NO connector, as shown in the figure below. **Do not** use the NC connector.

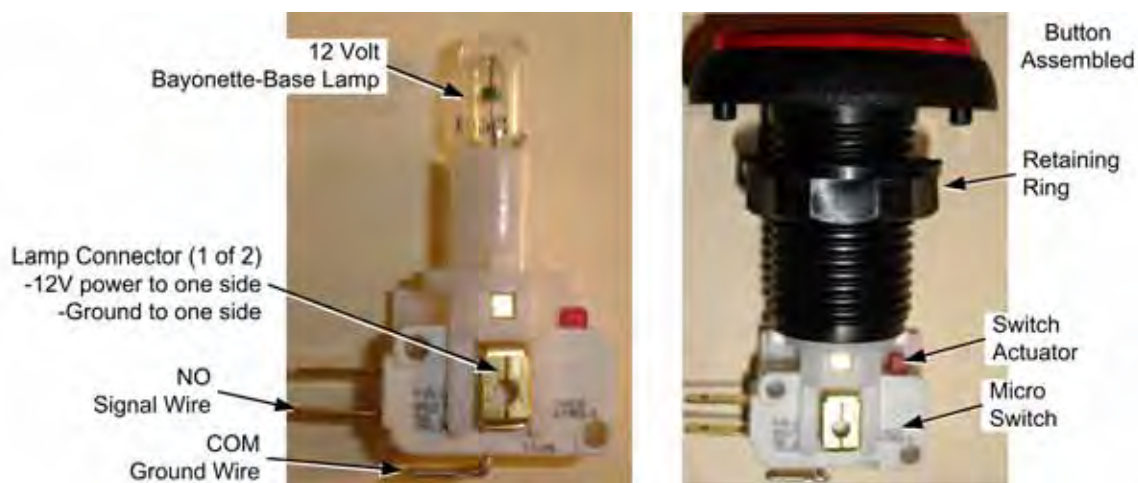


Figure 26. Start Button Assembly

50" LCD Monitor Service

The 50" Monitor is a stand-alone unit with an internal power supply. Refer to Figure 27 on page 32 and follow the steps below to replace a 50" monitor.



WARNING:

Three People are required to safely remove and re-install the Monitor, two people to lift and hold the monitor while a third removes or installs the mounting screws.

1. Disconnect the power and video cables from the monitor.
2. With two people supporting the monitor, remove the six (6) mounting screws with lock washers that secure the monitor mounting plate to the display stand and remove the monitor.
3. Remove the four (4) screws with lock washers that secure the mounting plate to the mounting brackets that are secured to the back of the monitor.
4. Remove the four (4) screws with lock washers that secure the mounting brackets to the monitor.
5. Reverse the removal steps to install the mounting brackets and mounting plate on the replacement monitor and install the monitor on the display stand.

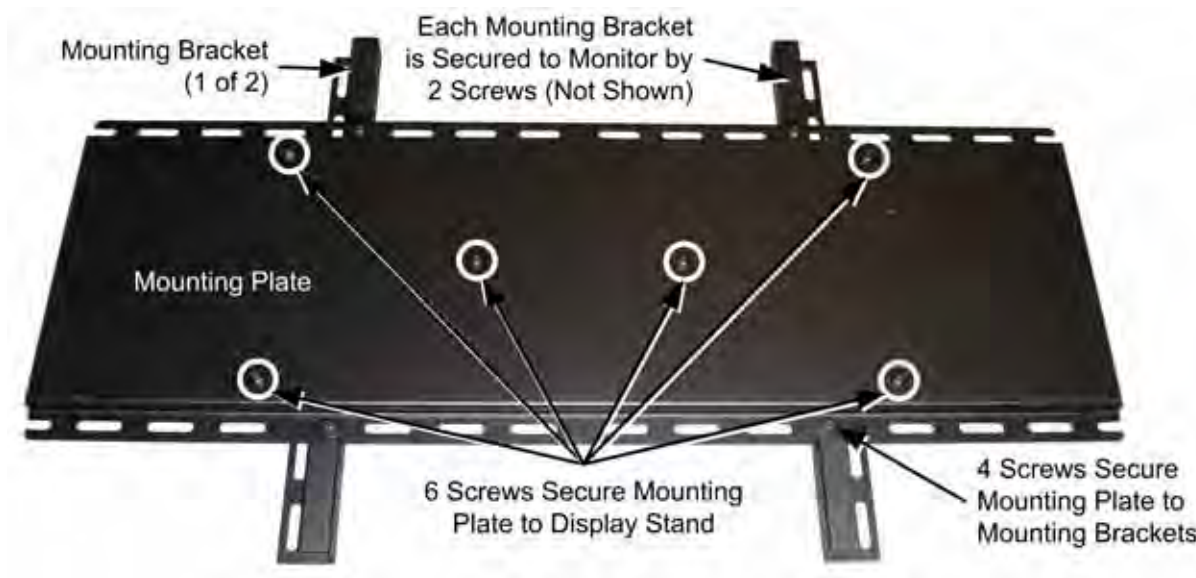


Figure 27. 50" Monitor Mounting

42" LCD Monitor Service

The 42" LCD Monitor is powered by a dedicated 24 VDC power supply. This power supply plugs into the AC power strip.

If you should need to replace the LCD monitor, do the following:

1. Disconnect the cabinet from AC power.
2. Remove the four (4) screws that secure the rear cover plate to the back of the cabinet behind the LCD monitor.
3. Disconnect the power and video cables from the back of the monitor.

4. Remove the four (4) screws that secure the monitor to the cabinet.
5. Remove the seven (7) screws that secure the bezel in place around the front of the monitor.
6. Carefully lift the bezel away from the cabinet, with the glass inside the bezel frame. Be very careful as the glass is not secured in the frame.
7. Carefully lift the monitor out through the front of the cabinet.
8. Reverse these steps to install the new monitor.

42" Monitor Power Supply

Note: Some monitor assemblies do not use an external power supply.

The 24 VDC monitor power supply, if used, is located in the lower part of the cabinet. Do the following if you need to replace the power supply:

1. Disconnect the cabinet from AC power.
2. Remove the four (4) screws that secure the rear cover plate to the back of the cabinet behind the LCD monitor.
3. Make sure all wires connecting to the power supply are properly labeled for reconnection, and then disconnect them from the terminals.
4. Remove the two (2) screws that secure the power supply mounting bracket in place.
5. Reverse the removal steps to install the new power supply.

Note: If the monitor does not function properly, verify the power supply is putting out +24 VDC.

Computer Replacement



The computer is serviced as one unit. YOU WILL VOID YOUR WARRANTY if you open the computer without direct authorization from the GLOBAL VR technical support staff.

Shipping the computer without enough padding can VOID THE WARRANTY if the computer is visibly damaged from shipping.

Disconnect the DVI-to-VGA adapter from the DVI port before shipping the computer. Leaving the adapter connected can cause damage to the video card.

Perform the following steps to remove the computer from the cabinet:

1. Disconnect all of the cables from the computer.
2. Remove the Game Dongle and keep it with your cabinet. Do not ship the game dongle with the computer.
3. Note the position of the computer for re-installation. Open the buckle on the strap that secures the computer in place and carefully remove the computer from the cabinet.
4. Reverse these steps to replace the computer. Make sure that the computer air vents are not blocked. There is an air vent under the bottom front panel of the computer that is easily blocked by padding or debris.

When shipping the computer, always use plenty of padding and protection. GLOBAL VR recommends shipping the computer in a box with three inches of foam padding on all sides.

Coin Mech Replacement

Perform the following steps to remove the coin mech. You can replace the coin mech with any standard arcade coin mech.

1. Unscrew the thumbscrews on the latches as shown by the arrows in step 1 of the figure below.
2. Slide the latches apart from each other and remove the Coin Mech as shown in steps 2 and 3.
3. Reverse these steps to re-install a coin mech. It is important to verify the operation of the newly installed coin mech with both good and bad coins.

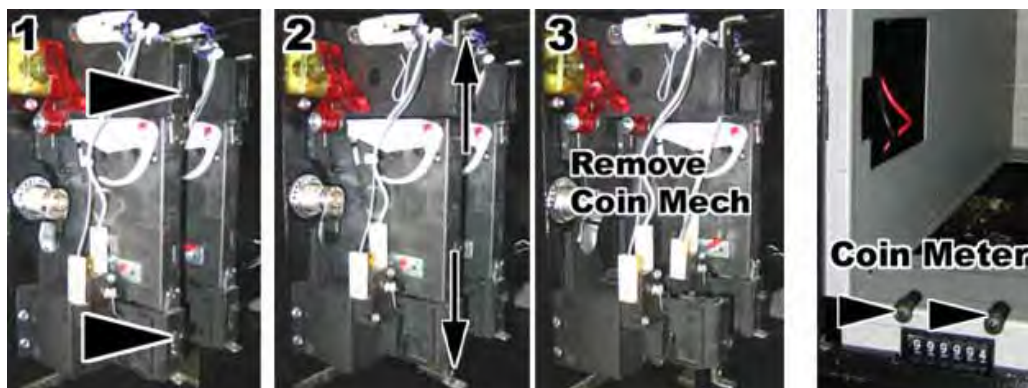


Figure 28. Servicing the Coin Mech and Coin Meter

Coin Meter Replacement

The coin meter is located in the bottom left-hand corner of the coin vault. It receives power via the GVRI/O PCB. If the coin meter stops working, first check the 5A fuse on the GVRI/O PCB and replace it if blown. Perform the following steps to replace the coin meter:

1. Turn the cabinet OFF and disconnect the AC power cord.
2. Remove the two Phillips screws securing the coin meter to the cabinet and remove the coin meter.
3. Cut the two wires from the coin meter and strip the ends of the wires to attach the new meter.
4. Use two butt splices to connect the wires to the new coin meter.
5. Secure the new coin meter with the two screws removed previously.

Power Distribution Service

AC Power Plate

The AC power plate provides the external AC power connection. An AC EMI Filter in the power plate removes electrical noise that can cause interference with the hardware inside the cabinet.

AC power from the power plate is connected to a 7-outlet AC power strip/surge suppressor in the cabinet.

Caution: The cabinet must be connected to a secure ground to function properly.

Ground wires from system components must be securely connected to the ground lug on the power plate, as shown below and in 0 on page 55. Components must **not** be grounded to the power plate mounting bolts.

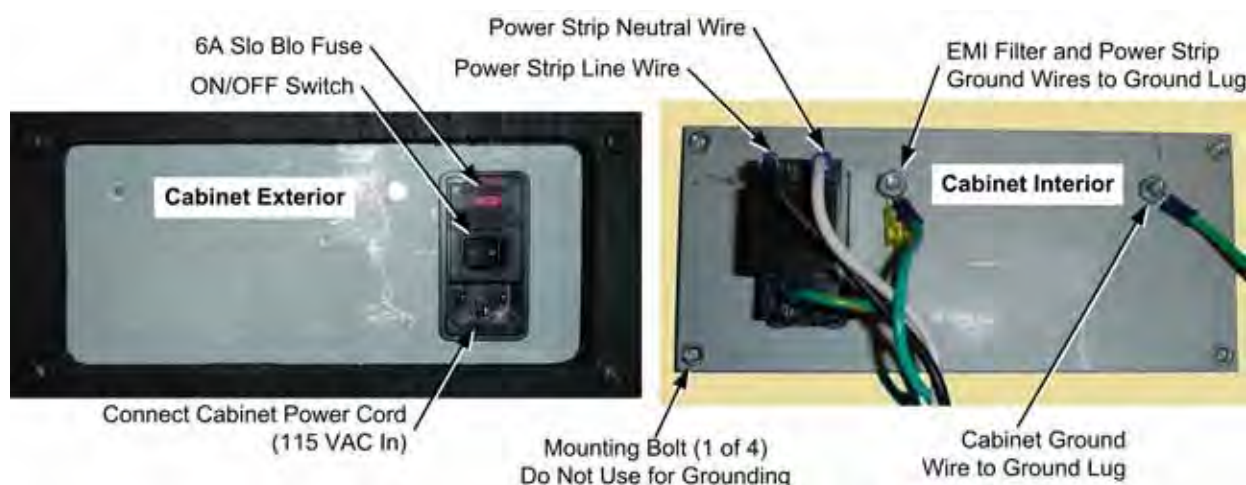


Figure 29. AC Power Plate (Shown Without Labels)

AC Power Strip Replacement

The AC power strip provides power to all of the components in the cabinet. If the cabinet has no power, check the 6A Slo Blo fuse in the power plate (see 0) and replace if blown. Perform the following steps to replace the power strip:

1. Turn the cabinet OFF and disconnect the AC power cord.
2. Disconnect all components from the power strip.
3. Disconnect the power strip from the AC power plate terminals shown in 0.
4. Remove the power strip; it is held in place with Velcro®.
5. Replace the power strip with an appropriate unit from GLOBAL VR (part # 49-0963-40). Do not attempt to use a different power strip. Be sure to connect each wire to the correct terminal (See Figure 38. Power Distribution Diagram on page 55.)



Be sure to connect each wire to the correct terminal. The ground wire must be securely connected to the ground lug on the power plate or the game will not function properly.

DC Power Supply Replacement

The DC power supply provides +24-volt power to the gun coils, and +12-volt power to the cold-cathode lighting, ventilation fan, and GVRI/O PCB. Cabinets may use either one or two DC power supplies. Perform the following steps to replace the DC power supply:

1. Turn the cabinet OFF and disconnect the AC power cord.
2. Make sure that all wires connected to the DC power supply are properly labeled for easy re-assembly, and then disconnect the wires from the terminals on the DC power supply.
3. Remove the four (4) screws that secure the power supply to the cabinet.
4. Reverse these steps to install the new power supply. Adjust the +5V output to 5.4V **before** connecting the power supply to the cabinet harnesses (use 5.2V if the power supply is connected). If the voltage is too high it will damage electronic components. If it is too low, the game will not work properly.
5. Be sure to connect the wires to the correct terminals. Refer to 0 on page 55 for a diagram.

Marquee Florescent Light Service

The marquee is lit by a florescent fixture. To gain access to the marquee fixture, remove the three (3) wood screws and five (5) nuts with washers from the back of the marquee, and then remove the marquee front with the artwork and clear plastic.

Replace the florescent tube with another 18" florescent tube.

To remove the fixture, disconnect the cabinet from AC power. Disconnect the AC power cord from the fixture. Remove the two Phillips screws that secure the fixture to the cabinet and remove the fixture. Replace the fixture with part # 49-1001-00.

LED Light Tubes (50" Cabinet)

Red 14" LED Light Tubes provide lighting effects along the back edge of the cabinet, subwoofer, under the center of the control panel, and on the floor. The light tubes are held in place with cable tie wraps.

Note: Do not replace LED light tubes with CCFLs. CCFLs draw more power, which may interfere with proper game operation.

Cold-Cathode Florescent Light (CCFL) Service

Cold-cathode florescent lights (CCFLs) are used to illuminate the instruction panel, and to add dramatic lighting effects to the cabinet. See Figure 30 for CCFL wiring.

Note: If both lights in a CCFL set fail, make sure the power connector is firmly attached to the power inverter. Connect the lights to another power inverter to test them. Replace the power inverter if faulty; it is held in place with Velcro and/or cable ties.

The CCFL tubes are held in place with cable tie wraps.

- Two 6" CCFL sets light the instruction panel and the area below the guns. The inverters are located behind the instruction panel. Each inverter connects to one white tube under the instruction panel and one blue tube below one of the guns.
- The Kick Panel is lighted by either two 6" blue tubes or one 12" blue tube.
- 50" Cabinets have two 12" blue tubes lighting the front area of the marquee.

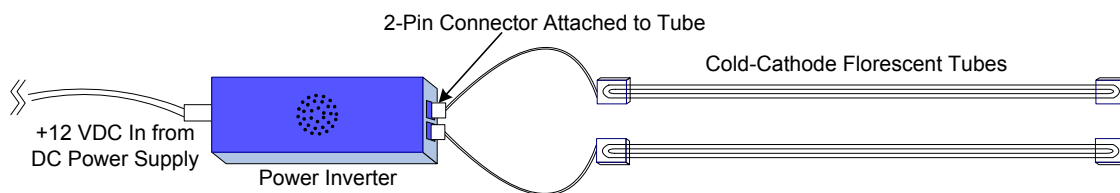


Figure 30. Cold-Cathode Light Detail

Setting the Computer BIOS (CMOS), DG41TY Motherboard

This procedure applies only to systems with the Intel® DG41TY Motherboard. If your system has a different motherboard, check <http://service.globalvr.com> for updated information.

If you are comfortable using the CMOS Setup Utility, connect a keyboard to the computer and press the **F2** key during boot to run the Utility, select **Load Optimal Defaults** from the Main Menu, and then change the settings shown in the table below. For more help, refer to the detailed instructions that follow.

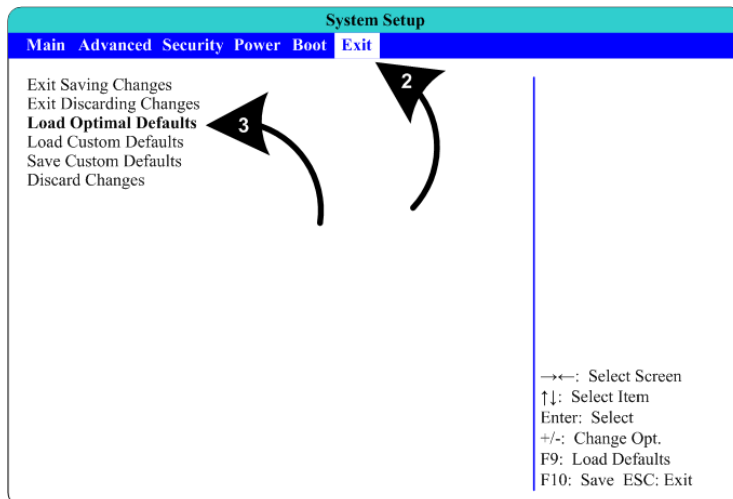
Menu	Submenu (If Applicable)	Item	Setting
Exit		Load Optimal Defaults	
Main		System Date	Set to Current Date
		System Time	Set to Local Time
Advanced	Boot Configuration	CPU Fan Control	Disable
		System Fan Control	Disable
		Display F10 to Enter Boot Menu	Disable
	Floppy Configuration	Diskette Controller	Disabled
Power		After Power Failure	Power On
		Processor Power Management	Disable
Boot		Boot Device Priority	CD/DVD-ROM drive Hard Disk Drive Floppy Drive Ethernet
		Boot to Network	Disable

Important: Your screens may not look exactly like the screens shown in this document, and some settings shown on the screens pictures may be different from your system.

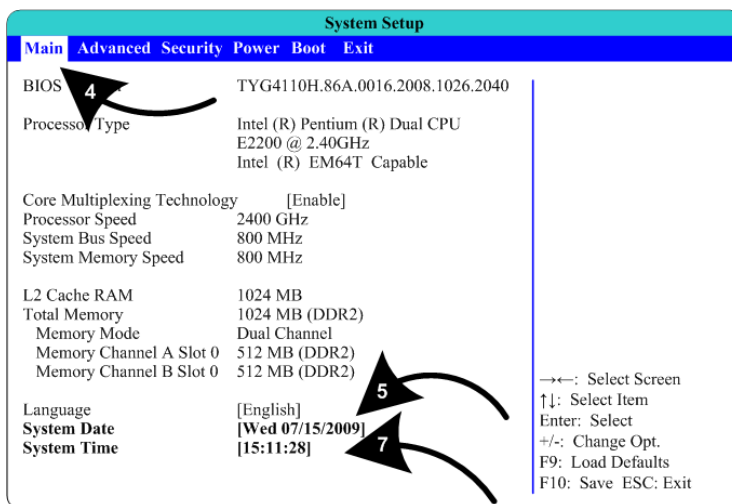
Do not change any settings that are not specifically described in this document.

Note: Use the left and right arrow keys (←→) to move between the menus listed at the top of the screen, and the up and down arrow keys (↑↓) to move up and down between menu items. Use the + and – keys to change settings for selected items.

1. Press the **F2** key during boot. The System Setup Utility Main Menu will appear.
2. Use the left and right arrow keys (→←) to select the **Exit** menu.
3. Use the up and down arrow keys (↑↓) to select **Load Optimal Defaults**, and press **Enter**. A confirmation box will appear. With **Yes** selected, press **Enter**.



4. Use the left and right arrow keys (→←) to select the **Main** menu.
5. Use the up and down arrow keys (↑↓) to select **System Date**. The month will be highlighted.
6. Use the + and – keys to set the month. Press the **Tab** key to move to the day, and set it the same way. Repeat for the year.
7. Use the up and down arrow keys (↑↓) to select **System Time**, and then use the +, –, and **Tab** keys to set the time the same way you set the date.



8. Use the left and right arrow keys (→←) to select the **Advanced** menu.
9. Use the up and down arrow keys (↑↓) to select **Boot Configuration**, and press **Enter**. The **Boot Configuration** menu will appear.



Chapter 6 — Service and Repair

10. Use the up and down arrow keys (↑↓) to select **CPU Fan Control**, and then use the (+-) keys to change the setting to **Disable**.

11. Use the up and down arrow keys (↑↓) to select **System Fan Control**, and then use the (+-) keys to change the setting to **Disable**.

12. Use the up and down arrow keys (↑↓) to select **Display F10 to Enter Boot Menu**, and then use the (+-) keys to change the setting to **Disable**.

13. Press the **Esc** key to exit back to the **Advanced** menu.

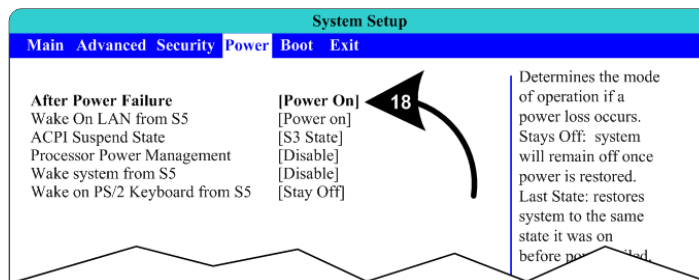
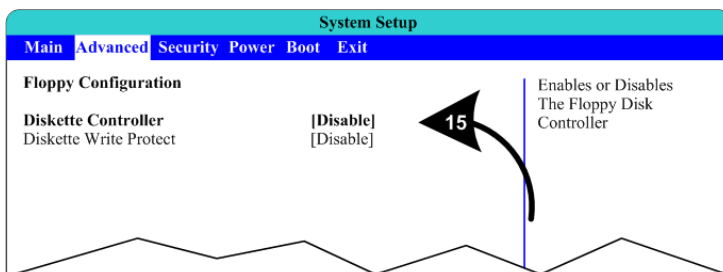
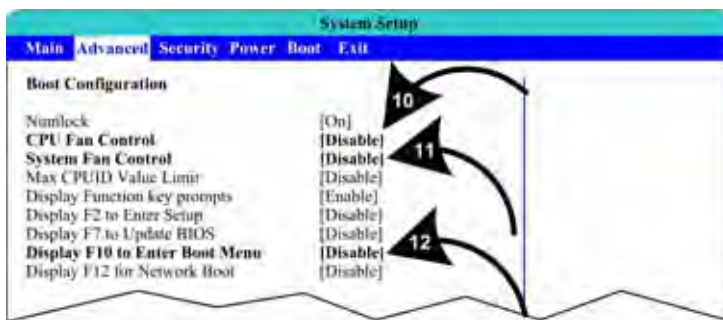
14. Use the up and down arrow keys (↑↓) to select **Floppy Configuration**, and press **Enter**.

15. Follow the same steps as before to select **Diskette Controller** and change the setting to **Disable**.

16. Press the **Esc** key to exit back to the **Advanced** menu.

17. Use the left and right arrow keys (→←) to select the **Power** menu.

18. Use the up and down arrow keys (↑↓) to select **After Power Failure**, and then use the (+-) keys to change the setting to **Power On**.



19. Use the left and right arrow keys (→←) to select the **Boot** menu.

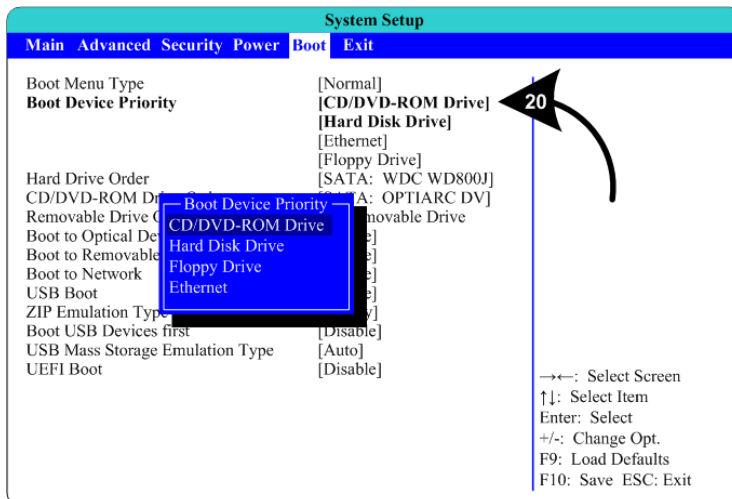
20. Use the up and down arrow keys (↑↓) to select **Boot Device Priority**, and press **Enter**.

21. A pop-up window will appear listing available drives. Use the up and down arrow keys (↑↓) to select **CD/DVD-ROM Drive**, and then use the (+-) keys to move the drive to the top of the list.

22. Use the up and down arrow keys (↑↓) to select **Hard Disk Drive**, and then use the (+-) keys to move the drive to the second position. Press **Enter**.

23. Use the up and down arrow keys (↑↓) to select **Boot to Network**, and then use the (+-) keys to change the setting to **Disable**.

24. Now that all settings are correct, press **F10**. The following prompt will appear:



25. Make sure **Yes** is selected (use the arrow keys to select if necessary) and press **Enter**.

Chapter 7 — Replacement Parts

If you need replacement parts, please reference these part numbers when contacting GLOBAL VR technical support or your distributor. Unless noted, parts are for both 42" and 50" Cabinets.

Documents and Software

Part Number	Qty	Item Description
040-0120-01	1	Operation & Service Manual (This Document)
040-0121-02	1	Software Restore Guide
040-0246-01	1	50" Cabinet Installation Instructions (50" Cabinet Only)
050-0208-01*	1	System Recovery CD
050-0108-01*	1	Game Install CD

*Part numbers may change due to software revisions.

Cables

Part Number	Qty	Item Description
115-0008-01	*	Power Cord for DC Power Supply (Quantity varies depending on the number of DC power supplies used.)
115-0049-01	1	Power Plate ground cable, 3.5"
115-0095-01	1	Coin Door Harness
115-0096-01	1	Start Button Harness
115-0097-01	2	Gun Power Cable with Fuses
115-0098-01	1	12V Lights Power Cable
115-0099-01	1	Ground wire, Gun to Coin Vault
115-0113-01	1	Load resistor and cable assembly (42" Cabinet Only)
115-0119-01	2	Speaker Harness (Audio Harness to Left and Right Speakers)
115-0120-01	1	Audio Harness
115-0121-01	1	AC Power Cord for Monitor Power Supply
115-0122-01	1	Power Harness for Cold-Cathode Lights
115-DVINPUT-CBL	1	Digital Video Cable
80-0213-00	1	Cabinet Power Cord, 6'
96-0539-00	1	Stereo Cable, 3.5mm, 6'
GLO-PWRCORD	1	Florescent Light Power Cord
USB-AB06MM	1	USB Cable, 6'
USB-EXT-6	2	USB Extension Cable, 6', USB 2.0, A Plug/A Jack

Cabinet Functional Components

Part Number	Qty	Item Description
990-0014-02	1	GVR/I/O Mini PCB, v04 (Must be programmed with the Aliens/Paradise Lost/Frightfearland firmware.)
EI-420W02-001-AOD	1	42" LCD Monitor Assembly (42" Cabinet Only)

Part Number	Qty	Item Description
BB11077290	1	50" Plasma Monitor Assembly (Purchase at Best Buy or buy a comparable LCD or Plasma Monitor from a local vendor.)
137657	1	24 VDC, 10 Amp Power Supply for LCD Monitor (42" Cabinet Only)
Q-250D	1	DC Power Supply, 250W, 5/12/24VDC (May be used to power guns, lights, PCBs and ventilation fan with one power supply.)
44-1100-01	1	Power Supply, 5V/12V 115 W (CCFLs, PCBs, Ventilation Fan)
44-0600	1	Power Supply, 24 Volt (Guns)
CCM1600-ND	1	Power Entry Module with EMI Filter, Power Plate
37117-01	1	Power Plate
49-0963-40	1	7-Outlet Power Strip, Surge Protector, 15 Amps, 1500 Joules
59-6582-8222232	1	Start Button, Blue
59-6582-8332233	1	Start Button, Green
60039-00	1	Computer Mounting Strap
12V-FAN-QCA	1	12 VDC Cabinet Fan, with Power Cord
45067-00	1	System Computer Assembly
USB-KQRTG-HL-AL	1	USB Game Dongle (Exchange Only)
Cabinet Audio		
990-0001-01	1	5.1 Audio Amp PCB
50-9005-00	2	Speaker, 5", 12 Watt, 8 Ohm, Shielded (50" Cabinet Only)
50-9986-00	1	Externally-Mounted Speakers, Pair, 3-Way, 50 Watt (42" Cabinet Only)
5555-15142-00	1	8" Subwoofer
Cabinet Lighting		
CCFL2BU	1	Cold Cathode Light Kit, Dual 12", Blue (Kick Panel Lighting)
CCFL62W	1	Cold Cathode Light Kit, Dual 6", White (Instruction Panel)
CCFL62BU	1	Cold Cathode Light Kit, Dual 6", Blue (Under Control Panel)
49-1001-00	1	Florescent Light Fixture, 18"
METL14R	7	LED Light Tube, Red, 14" (50" Cabinet Only)

Gun Parts

Also see the *Gun Exploded View* illustration on page .

Part Number	Qty per Gun	Item Description
26090-01	1	Gun Housing, Left
26090-02	1	Gun Housing, Right
96-0799-00	1	Gun Assembly
METL6R	1	LED Light Tube, Red
990-0012-01	1	Gun PCB

Cabinet Artwork



Figure 31. 42" Cabinet Artwork

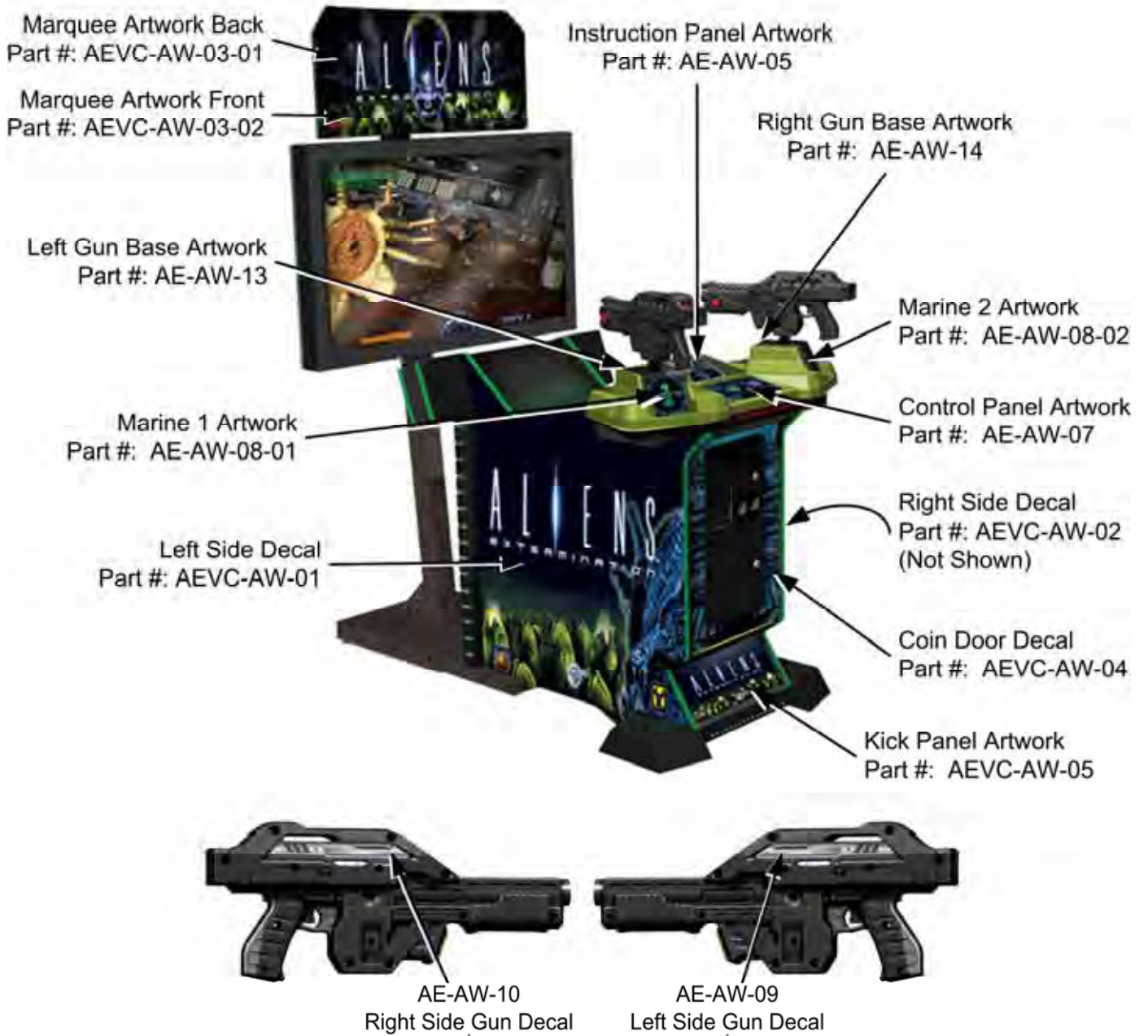


Figure 32. 50" Cabinet Artwork

Chapter 7 — Replacement Parts

Gun Exploded-View Parts

Ref #	Qty	Part Number	Item Description
1	1	96-4901-00	BOTTOM PLATE F/WMS ANALOG GUN
2	1	96-4937-00	BRACKET F/SWIVEL BASE ASSY.
3	1	96-4934-00	BRACKET PIVOT BOX & SHAFT ASSY.
4	1	96-4902-00	BRACKET HANDLE WELDED
5	1	96-4915-00	BRKT COIL MTG
6	1	96-4923-00	SHAFT 5/8 DIA.
7	1	96-4908-00	DISC PLASTIC WASHER
8	1	96-4907-00	GEAR SEGMENT W/HUB
9	1	96-4960-00	SPACER SEGMENT GEAR
10	1	43-0232-00	NUT, HEX NYLOCK 1/2-20
11	1	43-0055-00	WASHER, FLAT 1/2 SAE
12	7	42-0082-00	NUT, KEPS 8-32
13	8	43-0252-00	SCREW, #8-32 x 3/8 HEX HEAD
14	1	43-0003-00	3/8 SAE FLAT WASHER ZNC PLTD
15	1	43-0092-00	NUT 3/8-16 NYLOCK
16	1	43-0280-00	HEX HEAD CAP SCREW 10-31 X 1-1/4
17	2	43-0037-00	LOCKWASHER, EXT #10
18	3	43-0253-00	NUT HEX 10-32 JAM NYLOCK ZINC PLATED
19	1	96-4900-00	COIL RETAINING BRACKET
20	1	96-4938-00	INSULATOR
21	1	96-4904-00	BRACKET POT MTG HORIZONTAL
22	1	96-4913-00	BRKT POT MTG VERTICAL
23	1	96-4936-00	PLUNGER F/SOLENOID
24	1	96-4931-00	SPRING COMPRESSION
25	1	96-4971-00	BUMPER SOLENOID STOP
26	1	96-4921-00	GEAR SEGMENT HUBLESS
27	2	43-6972-00	SPACER F/BUMPER
28	1	43-0188-00	SCREW, #8-32 x 3/8" HEX WASHER HD
29	2	43-0254-00	SCREW 10-32 X 2.25 HEX HD ZINC
30	4	96-4920-00	BEARING .625 BORE
31	2	96-4917-00	GEAR 32DP 16T .25" BORE .5" L.
32	1	96-4970-00	REAR BUMPER PAD
33	1	96-4911-00	BUMPER 3/4 DIA.
34	2	96-4919-00	BUMPER 5/8 DIA. VERTICAL
35	1	96-4935-00	COIL WITH TUBING
36	2	96-4973-00	PAD ADHESIVE FOAM TAPE
37	2	96-4916-00	LONG LIFE POT W/NUT & WSHR 5K
38	1	43-0223-00	E-RING 3/8 DIA SHAFT
39	1	FI-0229-GVR	ALIEN GUN HALF LEFT FI FROM GVR
40	1	FI-0230-GVR	ALIEN GUN HALF RIGHT FI FROM GVR
41	1	95-4142-00	SWITCH ASSY BALL DETECT
42	1	54V-0004-20	IPB SM CIR RED RED CAP 14V73 VLT LAMP ASSY
43	1	96-2515-06	TRIGGER BLACK NEW STYLE
44	1	96-0005-00	SPRING, TRIGGER RETURN
45	1	57-2000-50	VLT BUTTON REC,RED W/6V LAMP
46	11	4008-01100-16	SCREW 8-32 X 1" BH TORX
47	8	43-1130-00	SCREW 8-32 X 1/4"BUTTON HD TORX TAMP BLK OX.
48	14	43-0211-00	NUT, 8-32 NYLOK
49	1	43-2318-00	SCREW 8-32 X 5/8 BHMS TORX
50	2	43-2317-00	SCREW 8-32 X 7/8 BHMS TORX
51	2	43-0172 00	SCREW, #2 X 1/2 TYPE B. PPH

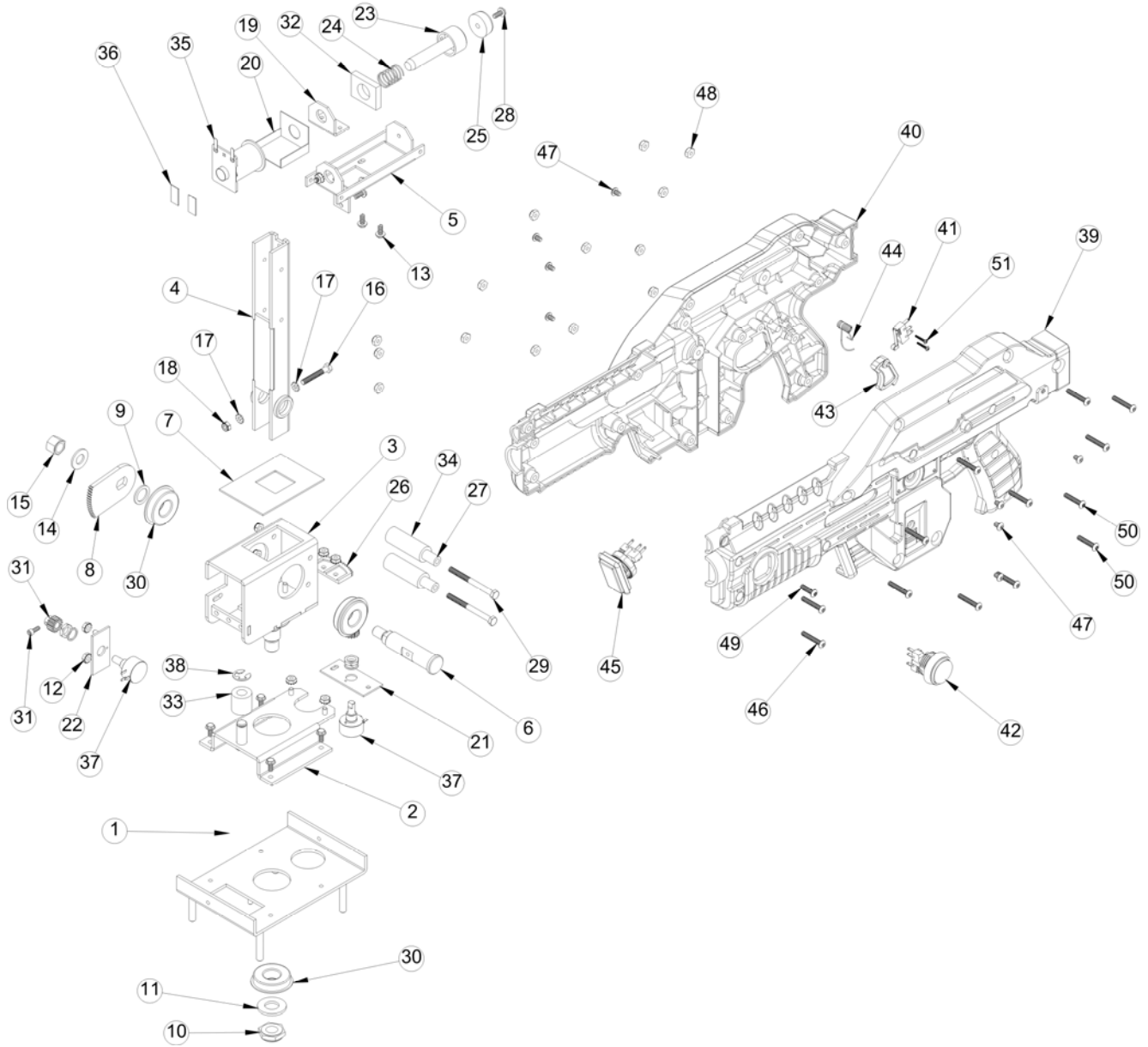


Figure 33. Gun Exploded-View Drawing

Chapter 8 — Troubleshooting

Video Troubleshooting

Problem	Cause	Possible Solution
No picture or Corrupted picture on monitor	Power problem	Check the monitor power cord, digital video cable, and power strip.
	Loose or faulty video cable	Verify that the digital video cable is firmly connected from the monitor to the computer. While the monitor is powered ON, disconnect the video cable. You should briefly see a message on-screen saying <i>No Signal</i> if the monitor is working. Check the digital video cable and make sure it is not pinched or frayed. Connect the cable to a different monitor to verify the signal.
	Loose or faulty video card	When the computer boots up, it performs a PC self-diagnostic test. If you hear 3 beeps from the computer, this indicates a problem with the video card. If the video card is faulty, contact Technical Support. If instructed by Technical Support, open the computer and check the following: <ul style="list-style-type: none"> • Make sure the video card is seated properly in the motherboard. Reseat the video card. • Check the power connector to the video card inside the computer. Make sure it is connected properly and is not connected backwards. • Power on the computer and make sure the fan on the video card is spinning fast.
No video and no audio (Note: It may take nearly 2 minutes to boot and start the game)	No power to computer	Verify the computer is ON by the LED on the front of the computer. Verify the line voltage switch on the back of the computer is set to the correct voltage for your area, 115V or 230V. Make sure the AC power cord is firmly connected to the computer and the power strip, and the power strip LED is on. Turn off the power strip, wait 20 seconds, and then turn it back on to reboot the computer. If the computer does not power on, make sure the On/Off switch on the back of the computer is in the On (I) position and <i>After Power Failure</i> in the BIOS is set to <i>Power On</i> (see <i>Setting the Computer BIOS (CMOS)</i> on page 37).
	Corrupted software	Reload the software from the disks. If you continue to have problems, you may have a faulty hard drive.
	Faulty hard drive	If you continue to have problems after you reload the software, you may have a faulty hard drive. Contact Technical Support.
Picture is dim or faded	Video output needs adjustment	Use the monitor Remote Control PCB to adjust the monitor.
Picture color is poor	Color needs adjustment	Use the monitor Remote Control to adjust the red, green, and blue color settings. Use the Color Bar Screen under Screen Check in the Operator Menu to aid with color adjustments.

Problem	Cause	Possible Solution
Picture geometry is misaligned	Geometry needs adjustment	Use the monitor Remote Control to adjust the picture height and width, and other geometry. Use the Cross Hatch Screen under Screen Check in the Operator Menu to aid with the adjustments.

Audio Troubleshooting

Problem	Cause	Possible Solution
No audio or Poor sound from one or more speakers	Volume set too low	Use Sound Options in the Operator Menu to raise the volume.
	Faulty wiring	Verify that all the wires are firmly connected to the speakers, Audio Amp PCB, and green computer audio port. Verify that no wires are frayed or improperly shorting to ground.
	Blown speakers	Remove the grill and inspect each speaker for visible damage. Run the Speaker Check from Sound Options in the Operator Menu to verify each speaker is working.
	Reversed wires	A weak or low muffled sound is a sign of reversed speaker wires. Check for reversed wires on each affected speaker.
	Faulty Audio Amp	To verify audio is working at the computer, connect stereo headphones to the computer audio port.
Audio hum	Faulty power supply	A constant low hum in the speakers can be caused by a faulty power supply. This could be either an external DC power supply or the computer power supply.
	Open ground	Check all ground wires in the cabinet. Make sure the AC wall outlet is properly grounded.

Gun Troubleshooting

Caution: Disconnect the cabinet AC power cord before disconnecting or connecting **any** gun cables. Failure to do so may damage the gun PCB.

Problem	Cause	Possible Solution
No force-feedback recoil in gun	Faulty DC power supply	Make sure the DC power supply is putting out +24 VDC.
	Solenoid turned off	Set <i>GUN SOLENOID/RECOIL</i> to <i>ENABLE</i> under Game Options in the Operator Menu.
	Faulty coil	Check wiring inside gun. Replace force-feedback coil if faulty.
Force-Feedback recoil and LED flash in the wrong gun	Gun wiring is reversed	To compensate, set <i>GUN I/O SWAP</i> to <i>ON</i> under Game Options in the Operator Menu.
A button or trigger does not work	Faulty micro switch or wiring	Check micro switch inside gun. Check wiring. Make sure no wires are pinched in the gun case.

Chapter 8 — Troubleshooting

Problem	Cause	Possible Solution
Gun(s) not working or GUN BOARD CONNECT ERROR message at boot	Faulty wiring	Verify that all wires are firmly connected and no wires are frayed or improperly shorting to ground.
	Disconnected USB or DC power	Check all power and USB connections. If all gun lights are off, this indicates a problem with +12 VDC power.
	Blown fuse in gun power harness	Check the fuses (MDL 2A Slo Blo) in the gun power harness.
	Gun(s) connected to faulty USB port	To test a USB port, turn off the game, disconnect the device from the port, and then connect the game dongle to the port. Reboot the game. A <i>No Dongle</i> message indicates the port is bad. If the game starts, the port is working. After the test, turn off the cabinet, reconnect all devices to the correct USB ports, and reboot. See Figure 39 on page 56 for PC connection information. Important: Disconnect power before changing any USB connections.
	Faulty power supply	Verify DC power supply is putting out the correct voltages.
Gun does not aim properly	Gun out of Calibration	Calibrate the gun from the Gun Check in the Operator Menu.
	Faulty pot or gear	Check gun pots and gears (see <i>Gun Pot and Gear Service</i> on page 28).
No lights on gun	Check +12 VDC power	Check wiring and make sure the DC power supply is putting out +12 VDC
Fuses blow	Pinched wires	Make sure no wires are pinched by the gun case.
	Faulty power supply	Test voltage output and replace power supply if faulty.
LED readout on gun not working or looks strange	Faulty Gun PCB	Check all connections to the Gun PCB (it is powered by +5 VDC from the USB connection). Replace PCB if faulty.

Miscellaneous Troubleshooting

Problem	Cause	Possible Solution
No power	Power strip not plugged in or turned off	Make sure the power indicator light on the power strip is on. If it is off, make sure the connections to the AC Power Plate are secure and the power strip ON/OFF switch is ON.
	Cabinet not connected or turned off	Make sure the AC power cord is firmly connected to the power plate and an active AC outlet, and the cabinet ON/OFF switch is ON.
	Blown fuse in power plate	Check the fuse in the power entry module in the power plate.
Cabinet gets very warm	Faulty ventilation fan	Verify that the ventilation fan is working. Replace a fan if it is worn or spinning slowly. Make sure the fan is getting +12 VDC from the DC power supply.
	Cabinet ventilation holes are blocked	Make sure you have proper clearance between the cabinet rear and the wall. Make sure the vent holes are clear of dust and debris and that air can flow freely.

Problem	Cause	Possible Solution
Marquee lamp does not light or is intermittent	Faulty florescent tube	Check the florescent tube for darkened or cracked ends. Replace the florescent tube if it looks worn.
	Faulty florescent fixture	Verify the florescent tube pins make a good connection with the lamp fixture. Check the ballast for proper operation. Replace fixture if faulty.
Wrong number of credits given when coins or bills are inserted	Incorrect setting in Operator Menu	Adjust settings from Coin Options in the Operator Menu.
	Faulty wiring	Disconnect the cabinet from AC power. Verify that all wires are firmly connected to the coin mech and bill validator, and ground wires are properly connected. Verify that no wires are frayed or improperly shorting to ground.
	Faulty coin mech	Verify the coin mech is not jammed. Make sure the coin mech is properly aligned and latched to the coin door. Repair or replace if faulty.

Checking the Game Dongle

The cabinet uses a Game Dongle to activate the game software. If the dongle is missing, the game will not run. When a USB Game Dongle is installed and working properly, a **red** LED will illuminate inside the dongle. If the software does not recognize the Game Dongle, make sure the Dongle is connected properly, and then power cycle the cabinet.

Important: Some of your cabinet information is stored in the dongle, so if you replace your computer, **remove the dongle and keep it with the cabinet.**



Figure 34. USB Game Dongle

Chapter 9 — Diagrams and Schematics

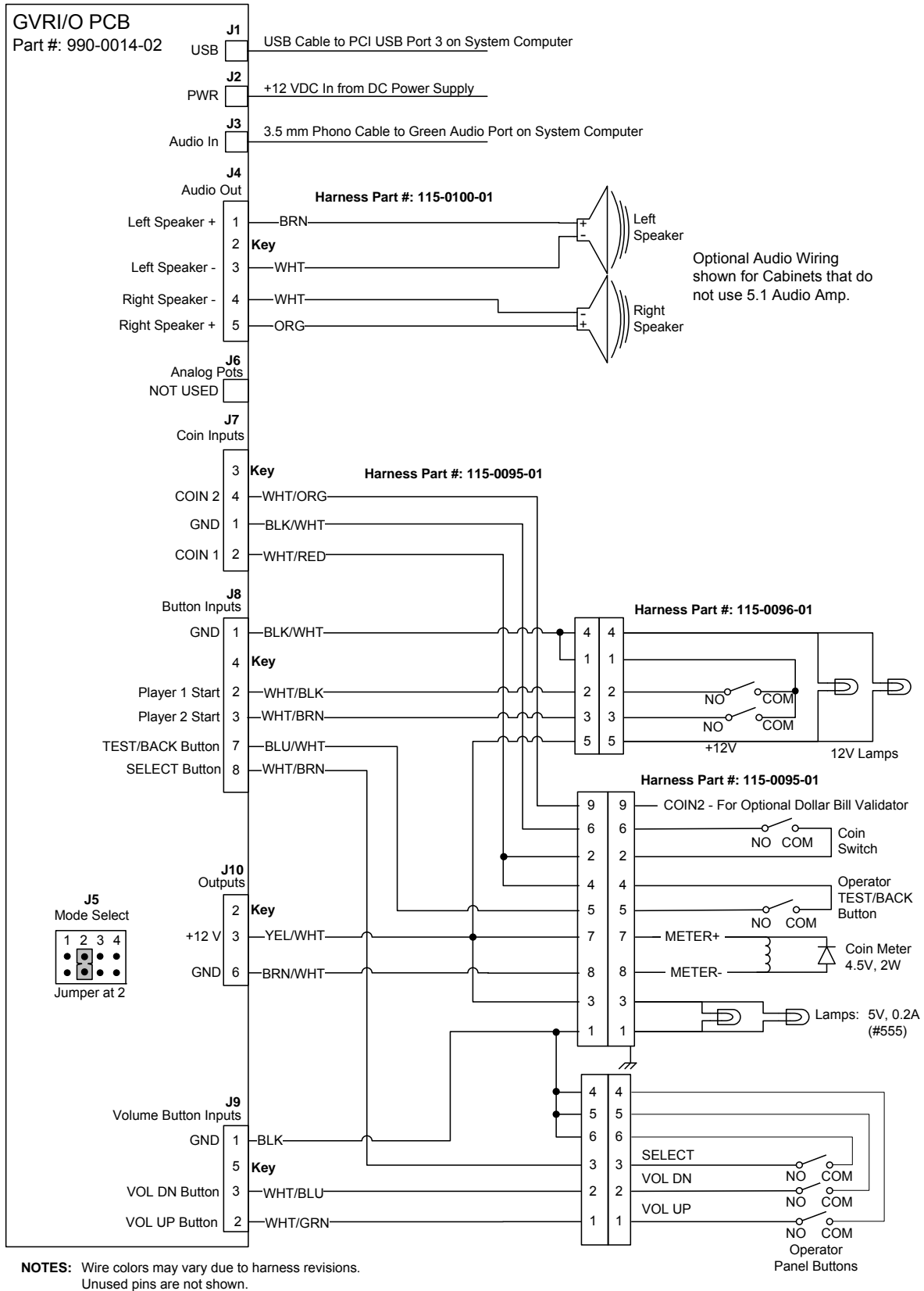
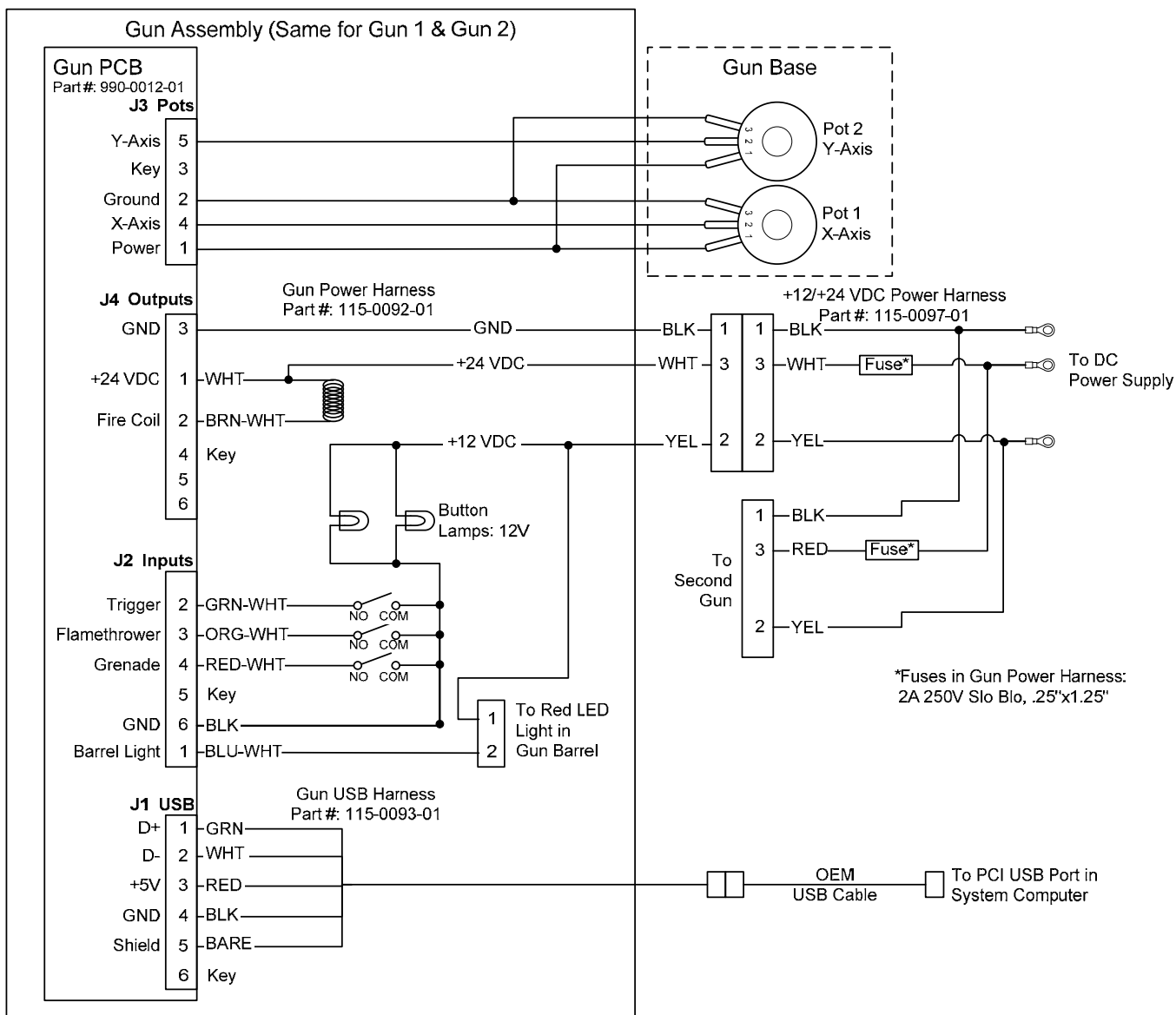


Figure 35. GVRI/O Wiring Diagram (42" Cabinet)



NOTE: Wire colors may vary due to harness revisions.

Caution: Disconnect power before changing any USB connections or you will damage the PCBs.

Figure 36. Gun Wiring Diagram

Chapter 9 — Diagrams and Schematics

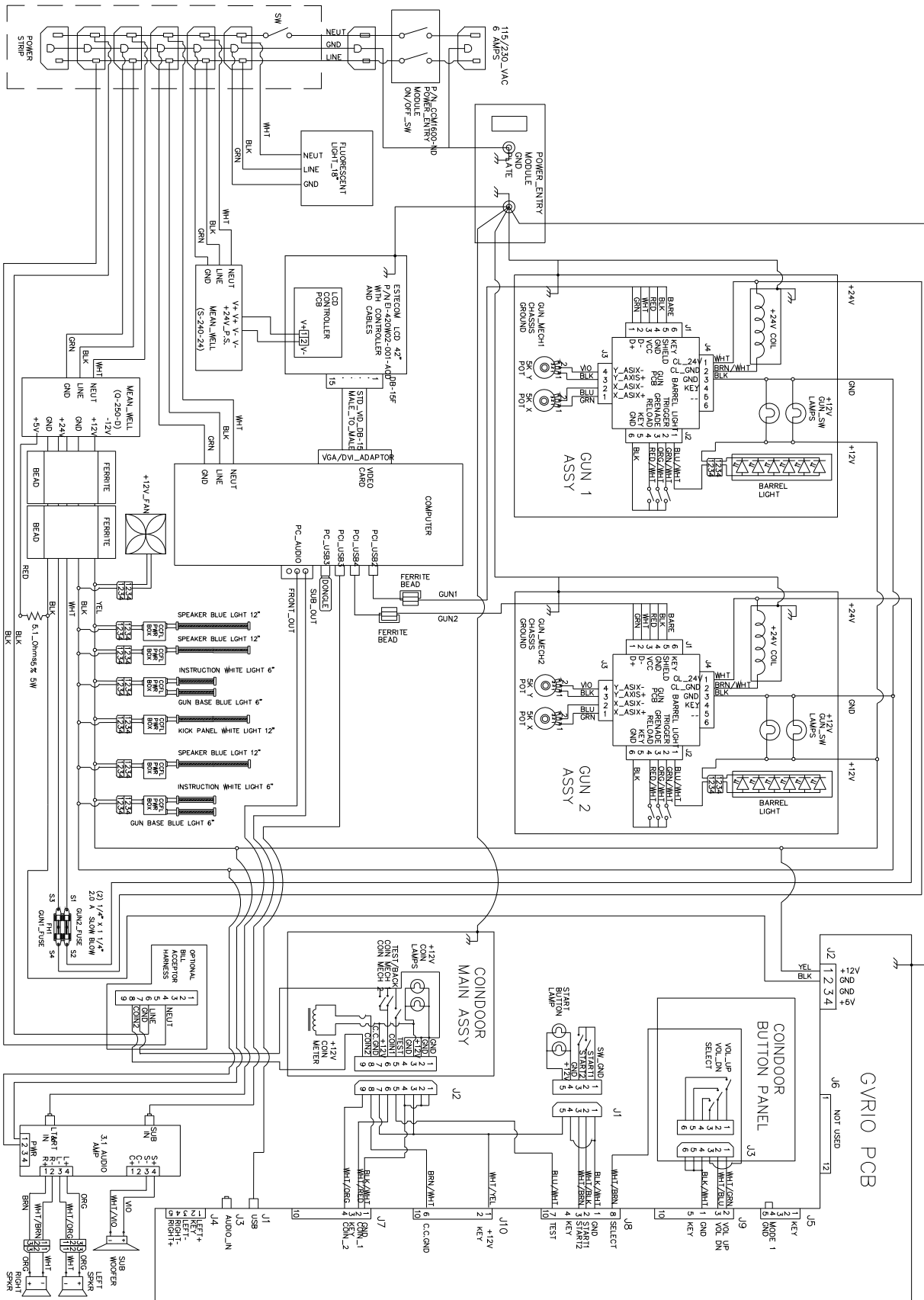


Figure 37. Overall Cabinet Wiring Diagram (42" Cabinet)

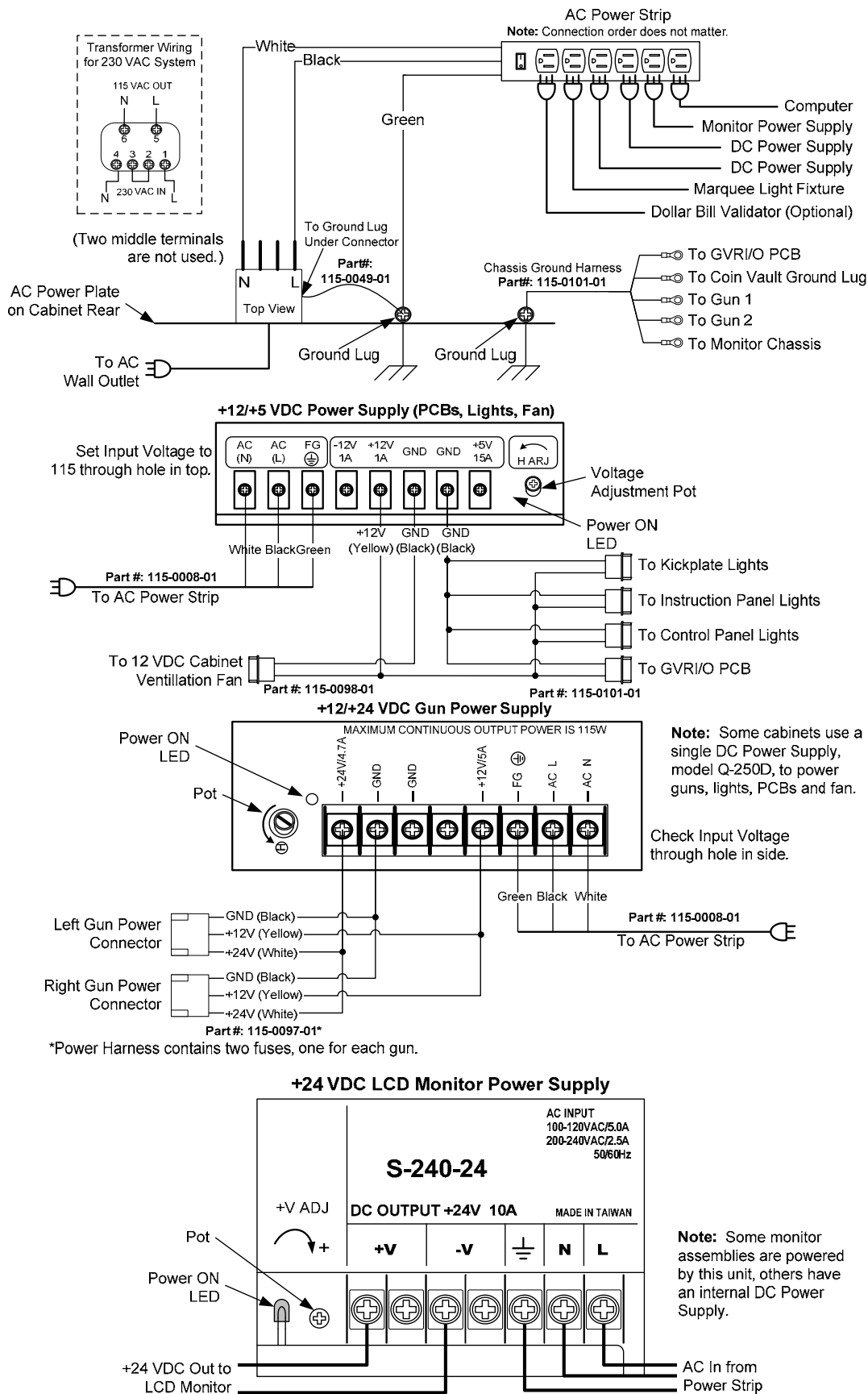


Figure 38. Power Distribution Diagram

PC Rear with Intel DG41TY Motherboard

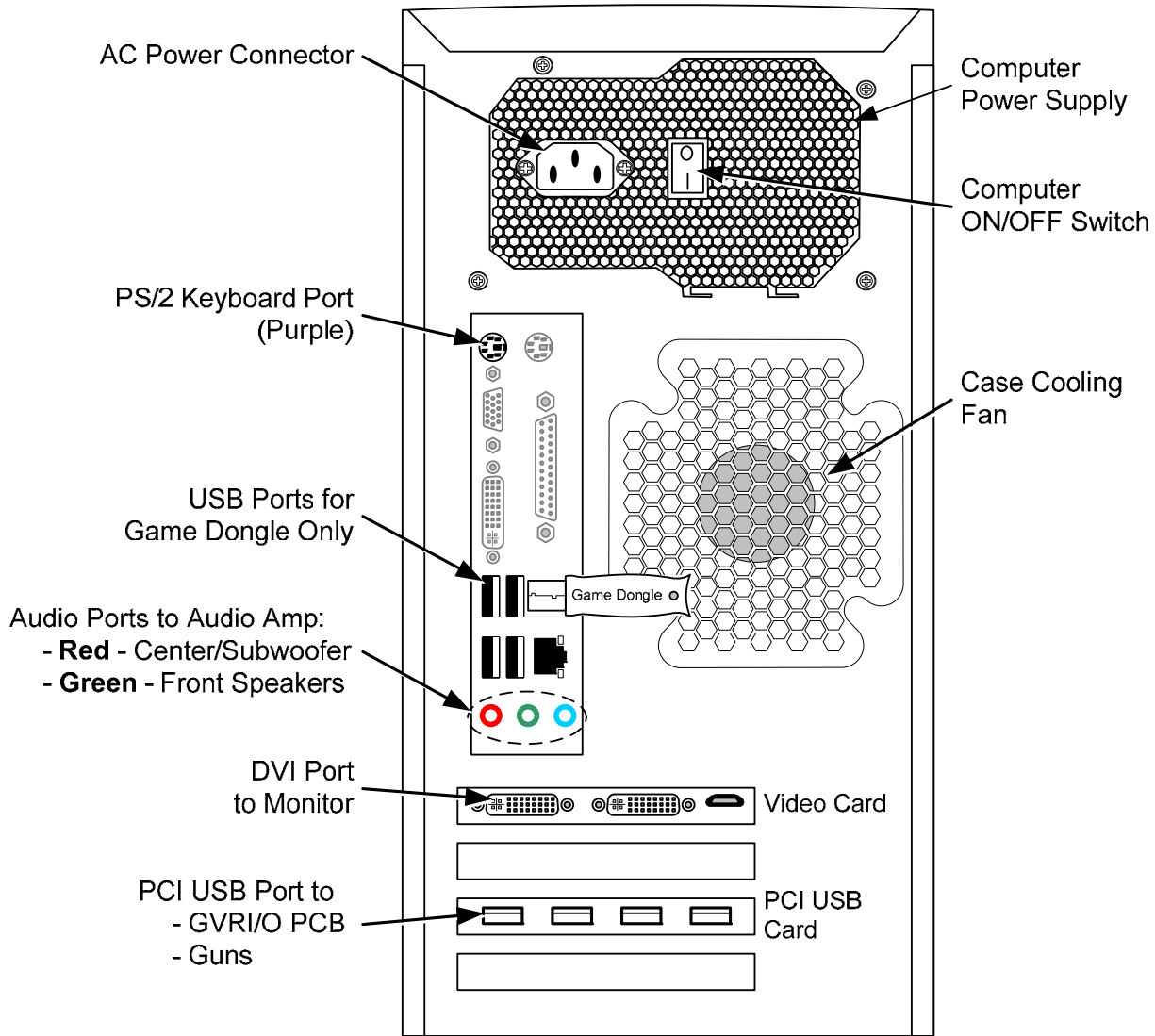


Figure 39. Computer Rear Panel Diagram (DG41TY Motherboard)

Warranty Service

If at some point you require warranty service, contact your authorized GLOBAL VR distributor.

Warranty Information

LIMITED WARRANTY FOR ALIENS® EXTERMINATION (North America Only)

GLOBAL VR® warrants that its computer circuit boards, hard drives, power supplies, monitors, displays, controls, sensors, and mechanical structures are free from defects in materials and workmanship under normal use and service for a period of ninety (90) days from the date of shipment.

All software and accompanying documentation furnished with, or as part of the Product, is supplied "AS IS" with no warranty of any kind except where expressly provided otherwise in any documentation or license agreement furnished with the Product.

During the warranty period, GLOBAL VR® will, at no charge, repair the Product, provided:

- Purchaser believes that the Product is defective in material or workmanship and promptly notifies GLOBAL VR® in writing with an explanation of the claim;
- All claims for warranty service are made within the warranty period;
- Products are returned adequately packed and freight prepaid to GLOBAL VR®'s designated service center;
- GLOBAL VR®'s inspection or test of the Product verifies to GLOBAL VR®'s satisfaction that the alleged defect(s) existed and were not caused by accident, misuse, neglect, unauthorized or attempted repair or testing, unauthorized modification, incorrect installation, vandalism, failure to follow the maintenance schedule or procedures; or operation in out-of-specification environmental conditions.

GLOBAL VR® will return the repaired Product freight prepaid to the Purchaser. All freight costs associated with replacement of warranty parts after expiration of the original warranty period are the responsibility of the Purchaser. GLOBAL VR® is not obligated to provide the Purchaser with a substitute unit or on-site service during the warranty period or at any time. If after investigation GLOBAL VR® determines that the reported problem was not covered by the warranty, Purchaser shall pay GLOBAL VR® for the cost of investigating the problem at its then prevailing per incident billing rate. No repair or replacement of any Product or part therein shall extend the warranty period as to the entire Product. The warranty on the repaired part only shall be in effect for a period of ninety (90) days following the repair or replacement of that part or the remaining period of the Product parts warranty, whichever is greater.

Purchaser's exclusive remedy and GLOBAL VR®'s sole obligation is to supply or pay for all labor necessary to repair any Product found to be defective within the warranty period and to supply, at no extra charge, new or rebuilt replacements for defective parts. If repair or replacement fails to remedy the defect, then, and only in such event, shall GLOBAL VR® refund to Purchaser the purchase price for said Product. Purchaser's failure to make a claim as provided above or continued use of the Product shall constitute an unqualified acceptance of said Product and a waiver by Purchaser of all claims thereto.

IN NO EVENT SHALL GLOBAL VR® BE LIABLE FOR LOSS OF PROFITS, LOSS OF USE, INCIDENTAL OR CONSEQUENTIAL DAMAGES RESULTING FROM OPERATION OF THE GAME IN ANY CONDITION. GLOBAL VR® SHALL NOT BE RESPONSIBLE FOR THE SUITABILITY, PERFORMANCE, OR SAFETY OF ANY NON- GLOBAL VR® PART OR ANY MODIFICATION PERFORMED BY ANY PRODUCT DISTRIBUTOR UNLESS SUCH WORK IS EXPRESSLY AUTHORIZED IN ADVANCE BY GLOBAL VR®.

THIS WARRANTY IS IN LIEU OF ALL OTHER EXPRESSED OR IMPLIED WARRANTIES, INCLUDING THE IMPLIED WARRANTIES OF MERCHANTABILITY AND FITNESS FOR A PARTICULAR PURPOSE, AND ALL OTHER OBLIGATIONS OR LIABILITIES ON GLOBAL VR®'S PART, EXCEPT FOR ANY EXPRESS WARRANTY SET FORTH IN A WRITTEN CONTRACT BETWEEN GLOBAL VR® AND PURCHASER CONTAINING SPECIFIC TERMS WHICH SUPERSEDE THE TERMS HEREIN. THIS WARRANTY DOES NOT AUTHORIZE ANY OTHER PERSON TO ASSUME OTHER LIABILITIES, IF ANY, CONNECTED WITH THE SALE OF PRODUCTS BY GLOBAL VR®.

Technical Support

Service & Parts

Hours: 7:00AM–5:00PM Pacific Time, Monday–Friday

Phone: 408.597.3435

Fax: 408.597.3437

E-mail: techsupport@globalvr.com

Website: <http://service.globalvr.com>

Extended Service Hours: Monday–Friday 5pm—Midnight
Saturday & Sunday 7:00am—Midnight Pacific Time

Free telephone, e-mail, and online support are provided for systems during the warranty period. GLOBAL VR Technical Support can help you troubleshoot problems and diagnose defective parts. We can also answer questions about the operation of your game.

When you contact Technical Support, please provide the information listed below, as applicable, to assist the Technical Support representative in solving your problem quickly. For your convenience, space is provided to write important numbers.

- Cabinet Serial Number: _____
- Version and Build from Operator Menu: _____
- Proof of Purchase information
- Your mailing address and telephone number
- A summary of the question or a detailed description of the problem
- Specific error message
- Date of latest install or upgrade
- Any changes made to the system
- For game-play issues, the level and number of players

To comment on this document, please e-mail: techpubs@globalvr.com