

Pharaoh's Treasure

Operation Manual



WARNING

Be sure to read this Operation Manual before use.

Family Fun Companies, INC.





Safety Instructions:

Service should be preformed by properly trained technician or repair personnel only!



High voltage warning:

High voltage can cause an electric shock.

Turn off power before servicing.



No touching warning:

This part may cause an electric shock or the surface is overheating. Do not touch this part.



WARNING

Non-technical personnel who do not have technical knowledge and Expertise should refrain from performing repairs on this equipment. .

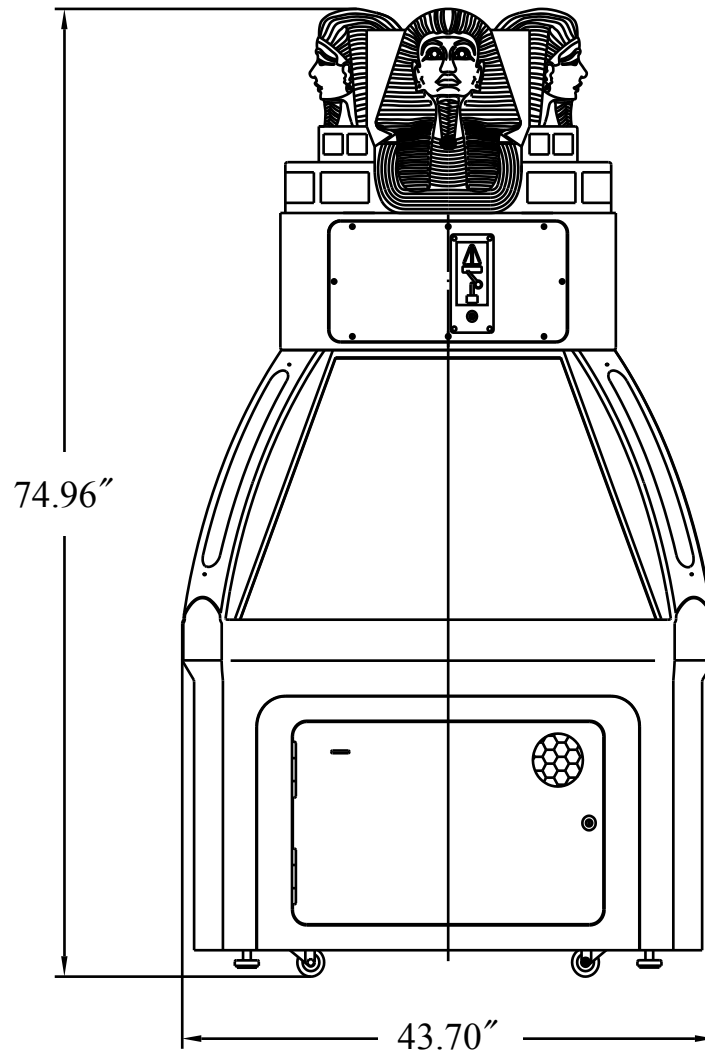


Contents

1、	Specifications.....	3
2、	Package contents.....	4
3、	Location、 Installation and Moving	5
4、	Connecting the power cord and grounding.....	7
5、	How to play.....	8
6、	Game installation and service.....	9
7、	Switches control signal.....	11
8、	Parameter setting.....	13
9、	Game adjustment and maintenance.....	16
10、	Overall structure.....	22
11、	I/O chart	
12、	Wiring diagram	



1. Specifications



- (1) Rated power supply: AC110V~120V, 50/60Hz;
- (2) Power consumption: Min550VA, Max450VA;
- (3) Dimensions: W43.70" × D43.70" × H74.96" ;
- (4) Game Weight: 661.38lb;
- (5) Environment condition: Temperature(indoor): -10°C~+40°C
Humidity : ≤90%

Note: Game parameters are subject change without notice.



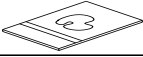

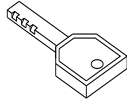



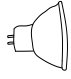
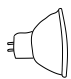


2. Package contents

Be sure to check that you have received all packages indicated below;

(1) Body Assembly: 1 unit

(2) Accessories:

No.	Part No.	Name	Spec.	Qty	Illustration	Note
1	P101-439-000	Power cord	10A/110V 1.8m	1		
2	P 101-440-000	Fuse	6A/1250V φ 5-20	2		
3	P101-719-000	Manual	English	1		
4	P101-406-000	Key	171	4		
5	P101-422-000		2222	2		
6	P101-810-000	LED strip	42.5×0.8cm	2		Blue
7	P101-811-000	LED strip	42.5×0.8cm	1		Green
8	P101-812-000	LED strip	30.5×0.8cm	1		Blue
9	P101-401-000	Spot light	MR-11 LED red	2		Red
10	P101-438-000	LED lamp	MR-11/12W/9	1		White
11	P101-705-000	Wheel score	1	12		
12	P101-414-000	sensor	YENOX-NO	2		

NOTE: This list is just for your reference. They are subject change without notice.



3. Installation

⚠ WARNING

- For indoor use only!

3-1. Locations to avoid installing:

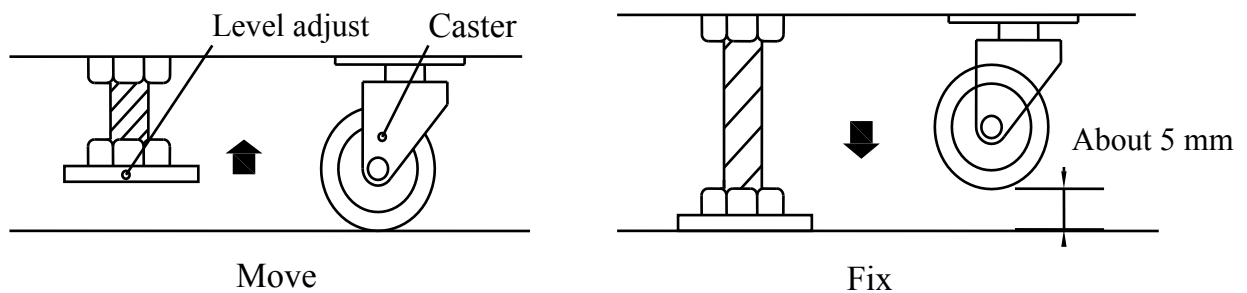
⚠ WARNING

This machine is designed for indoor use only.
Do not install in:

- Locations exposed to direct sunlight;
- Locations subjected to rain or water leakage;
- Locations close to a heat source.

3-2. Game leveling

Install this machine on a flat surface. Adjust levelers to lift casters off the ground and level game.



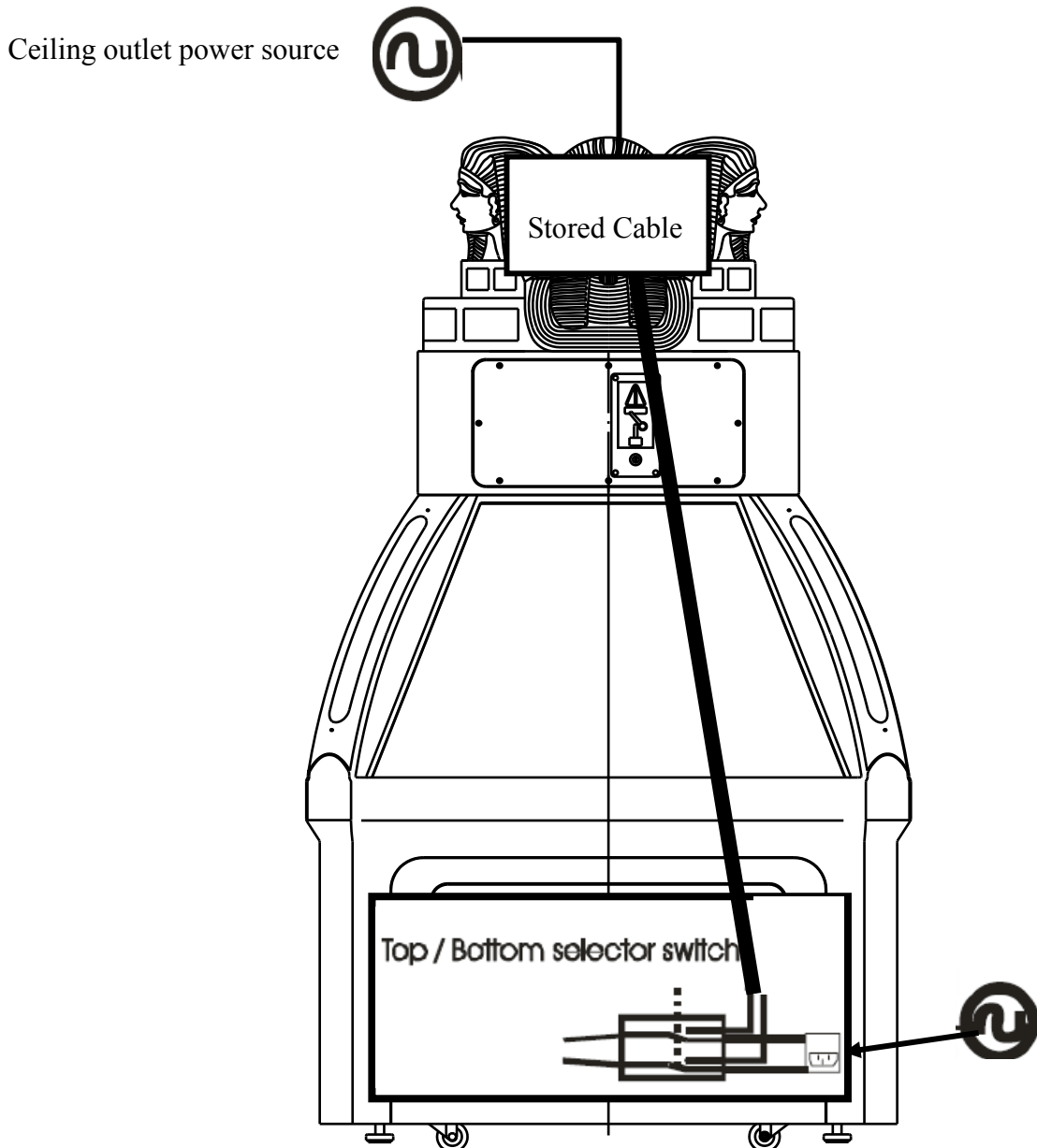
⚠ WARNING

- Unplug game before moving.
- Do not lay game on side during transport.



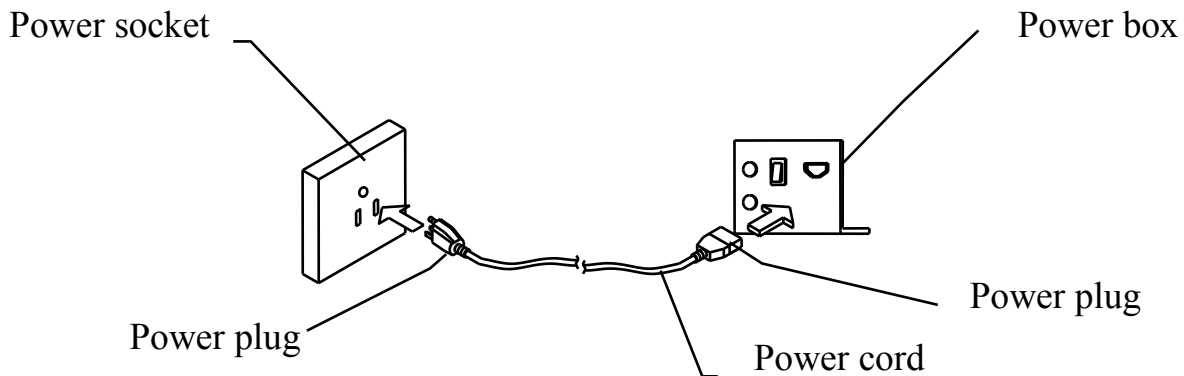
3-3. Power Configurations

The game has two power feed options. The first is through the top of the game and is for a ceiling feed configuration. There is approximately 6 feet of cord stored in the ball on top of the game. The next is in the bottom of the game and can easily be accessed through the main door on the side of the game. Please see diagram below.









3-4. Connecting the power cord and grounding



Notice: The machine supply voltage is 110V-120V, please refer the label of the machine and connect the actual supply voltage. If not, it can cause an electric shock.

4. How to play

- (1) Insert coin(s).
- (2) If the coin hits , the wheel will move one space on the right.
- (3) If the coin hits , the wheel will move one space on the left.
- (4) If the coin hits , the wheel will spin and stop randomly.
- (5) The game will pay the ticket value on the top of the wheel.
- (6) Have the coins pushed the tomb over the line  to win Bonus.

5. Game maintenance

- (1) Run the game first before operation every day;
- (2) Check every component after running the game for a month;
- (3) Check the machine regularity;



6. Troubleshooting

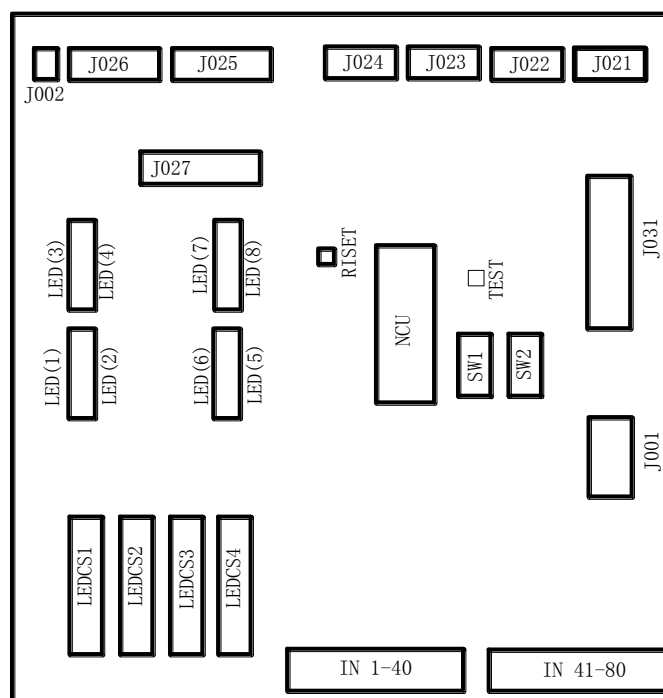
Problem	Cause	Possible solution
Machine stop running and no display	<ol style="list-style-type: none"> Poor connection Machine is circuitry short 	Check the power wire and socket or change a new wire.
Lights are not light up	Bulbs are burnt out or power off	Replace with new light and check the wiring.
Turntable doesn't run	<ol style="list-style-type: none"> Turntable SW is not working. Motor is not working. 	<ol style="list-style-type: none"> Replace with new switch. Check the motor.
JP is not working	<ol style="list-style-type: none"> Sensor can't detect the signal Mummy is too hard to move Sensor is damaged. 	<ol style="list-style-type: none"> Move the sensor or JP assembly. Move the mummy base up. Replace with new sensor.

7. Switches control signal

7.1 Refer to the attached I/O chart and the schematic.

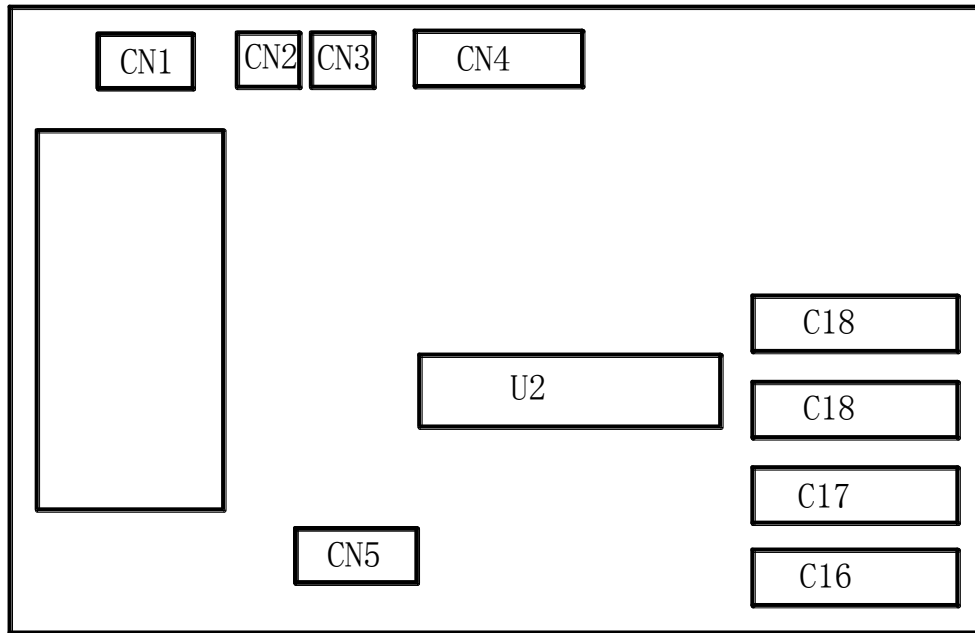
7.2 To adjust DIP SWITCH, please refer the I/O chart. The initial setting is in capitalization.

7.3 Main board :





7.4 Music board:



NOTICE

The above are subject change without notice



Parameter setting

9. Game adjustment and maintenance

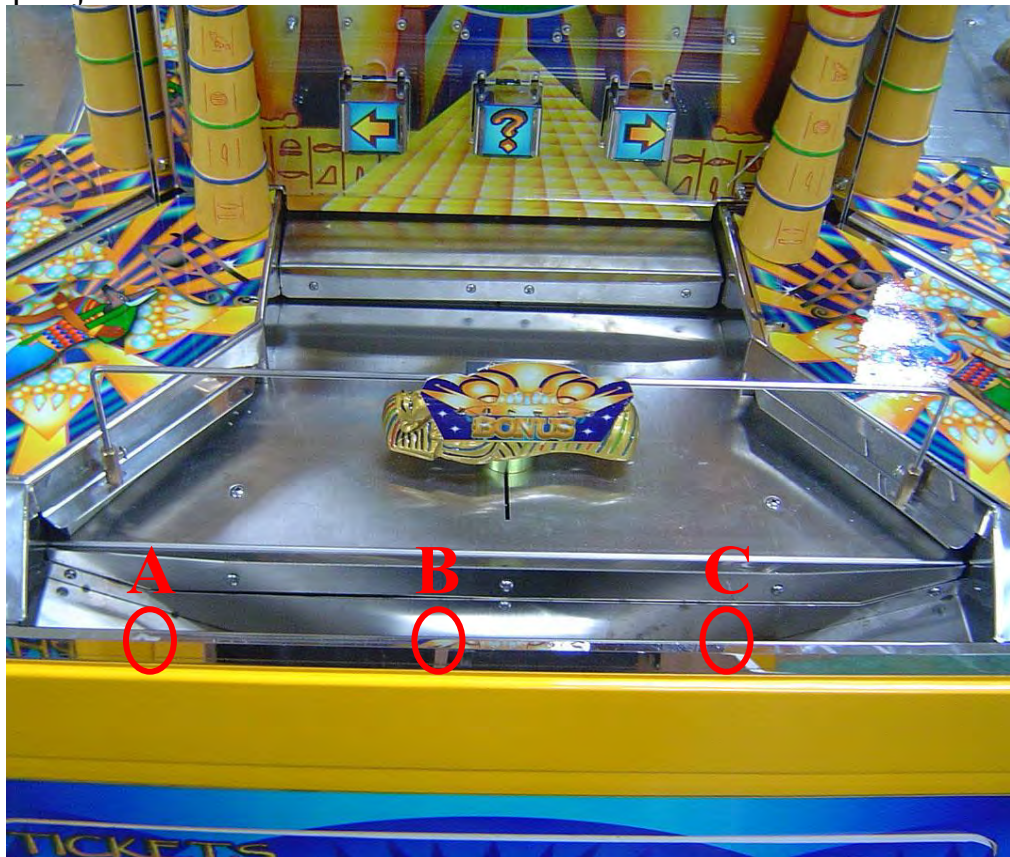
Open the glass



Open the two locks at the same time. Lift up the glass lightly.



9.2 Coin pile up adjustment :

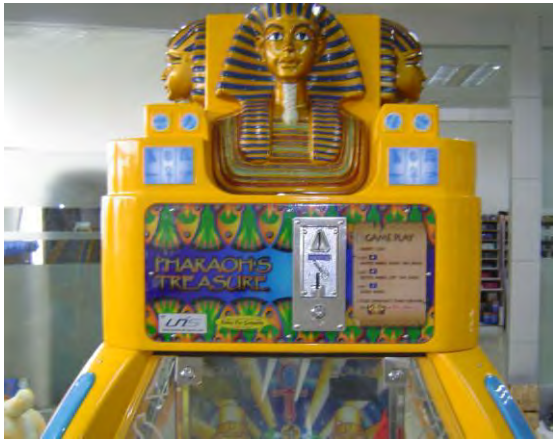


Remove 3 screws, adjust the pile up strip can control the coin drop down amount.



9.3 Replace the fluorescent light tube:

Step 1: Open the coin mech lock, disconnect the connectors, take off the coin mech:

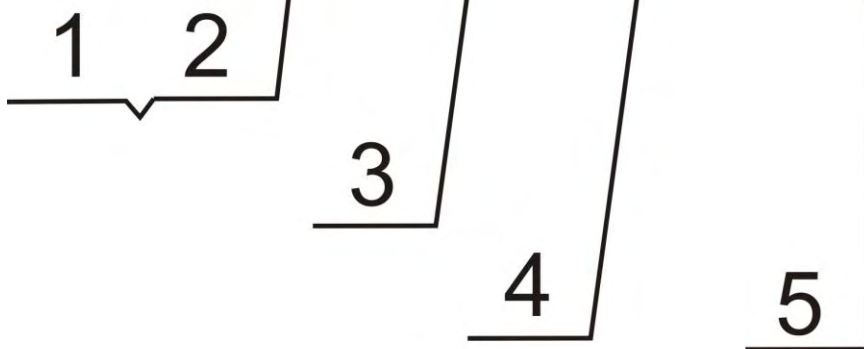
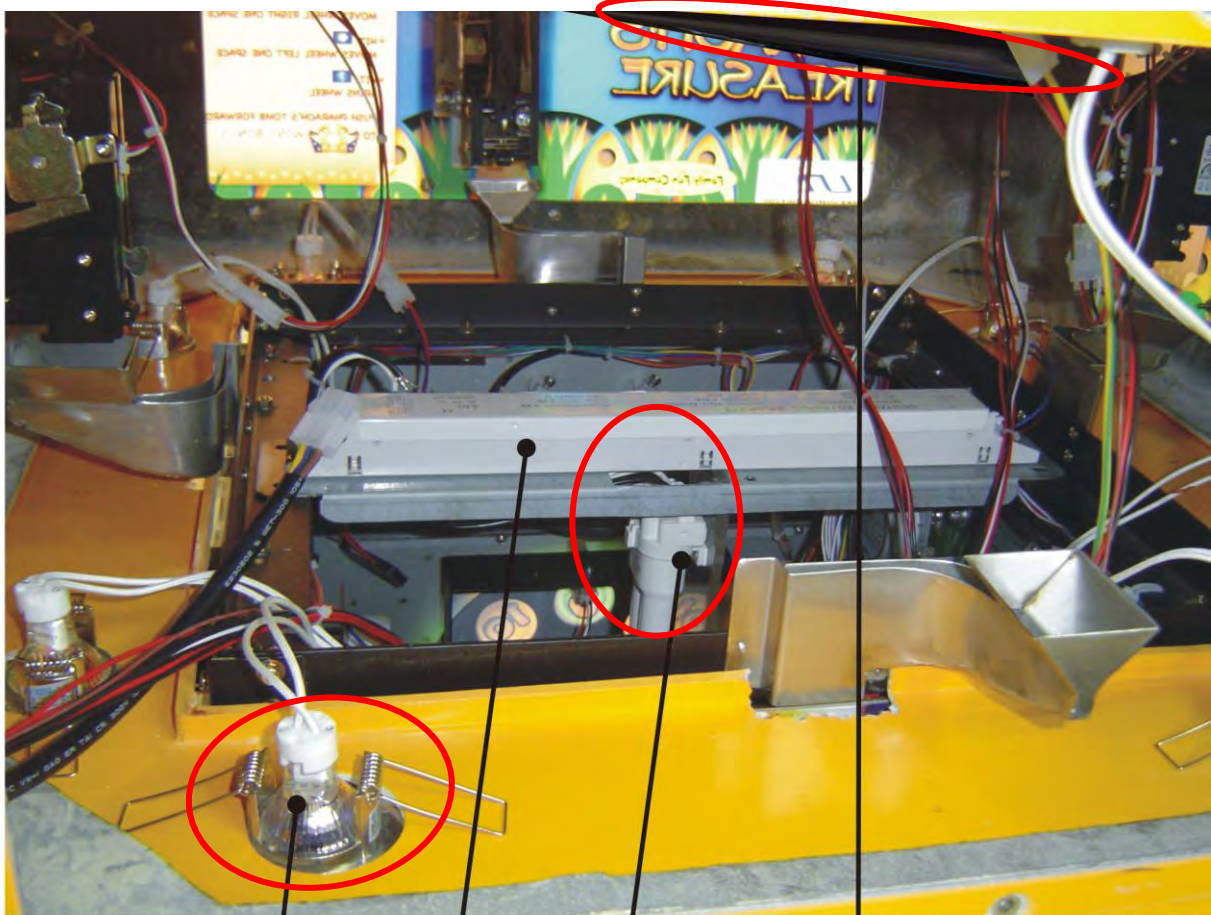


Step 2: Remove the 8 screws to take off the sign:





Step 3: Replace the fluorescent light tube and spot light inside the game.



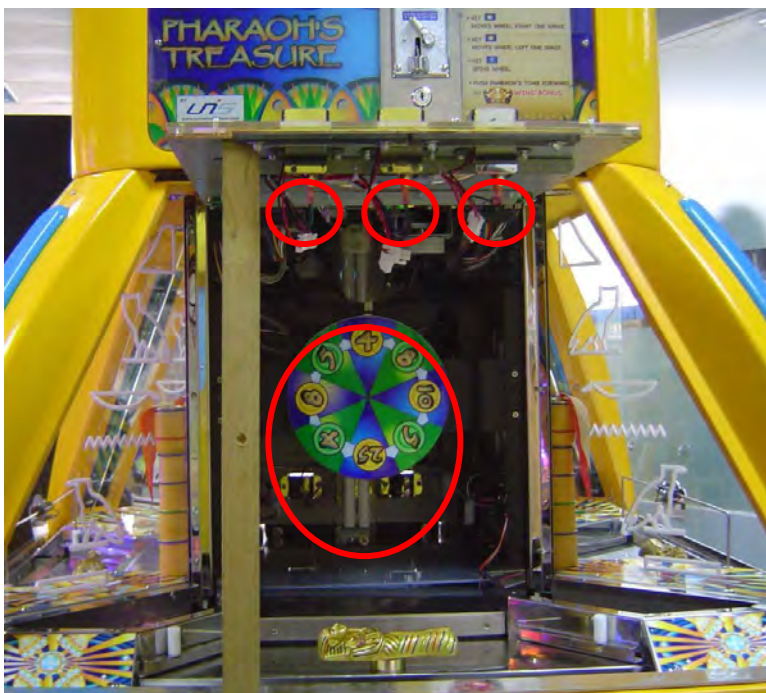
No.	Part No.	Name	Qty	Spec.	Note
1	P101-401-000	Spot light	8	12V 20W glow	
2	P101-402-000	Spot light bracket	8	TH101	
3	P101-403-000	Ballast	2	110V 55W	
4	P101-404-000	H Type light	1	36W	
5	P101-405-000	H Type light	1	55W	



9.4 Replacing the wheel score decal and wheel switch:

Step 1: Open the glass, remove screws and take off the side hole cover. (Please refer to the chapter 9.1, step 1& step 2)

Step 2: Take off 4 screws on the playfield and 2 screws on the JP sign. And take off the JP sign.

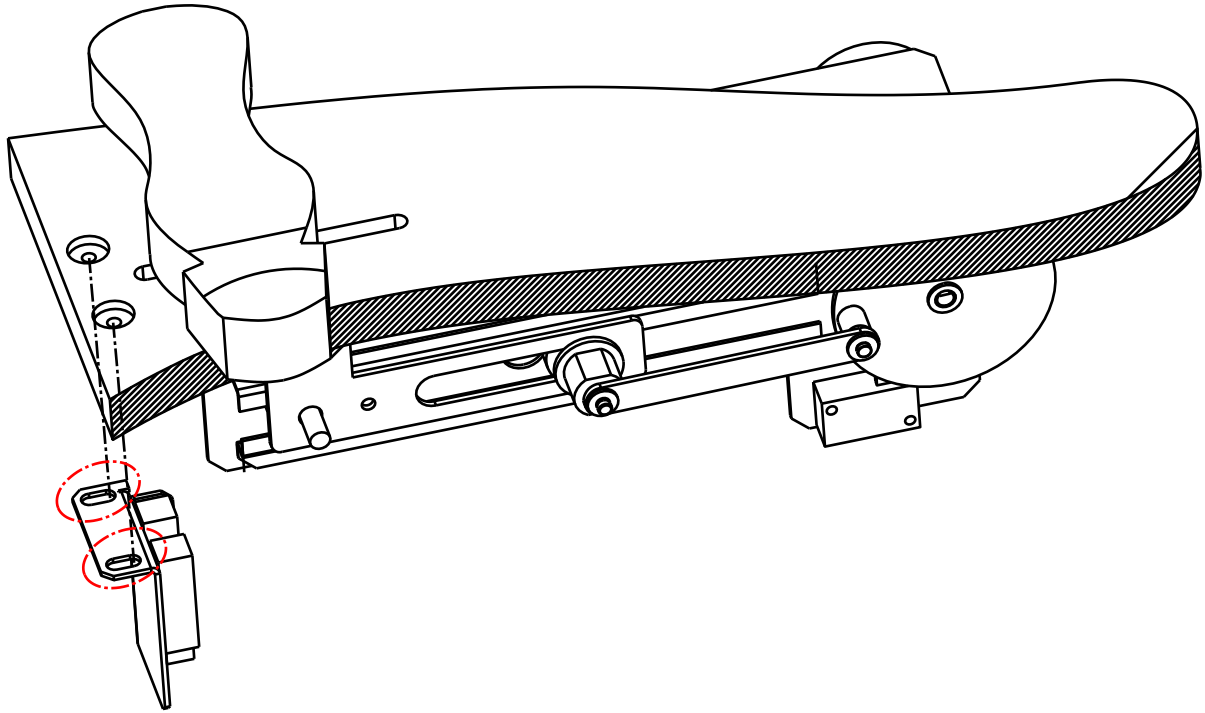


Step 3: Maintain the inside parts or replace the score decal.

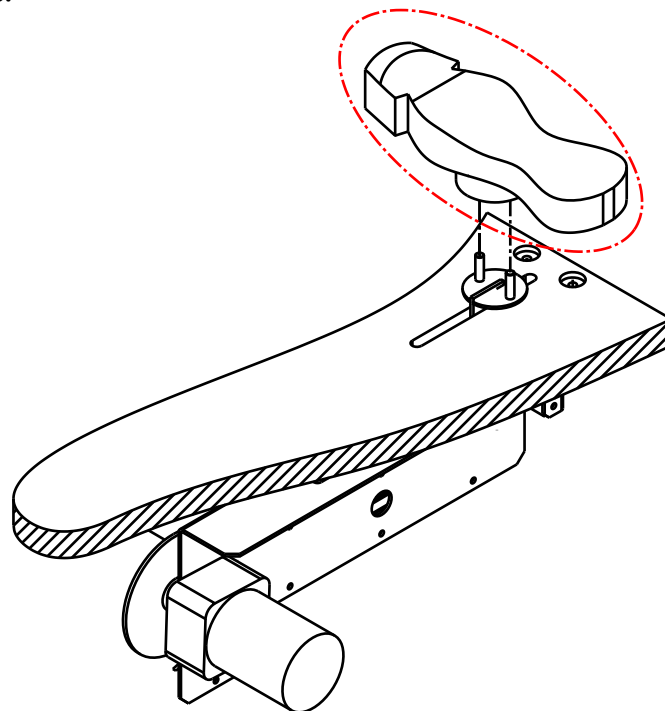


9.5 Jackpot mechanism adjustment:

Game cannot activate the JP: Check the sensor for proper operation. If the sensor is good, please remove the 2 screws shown in the picture and move the sensor bracket inward.



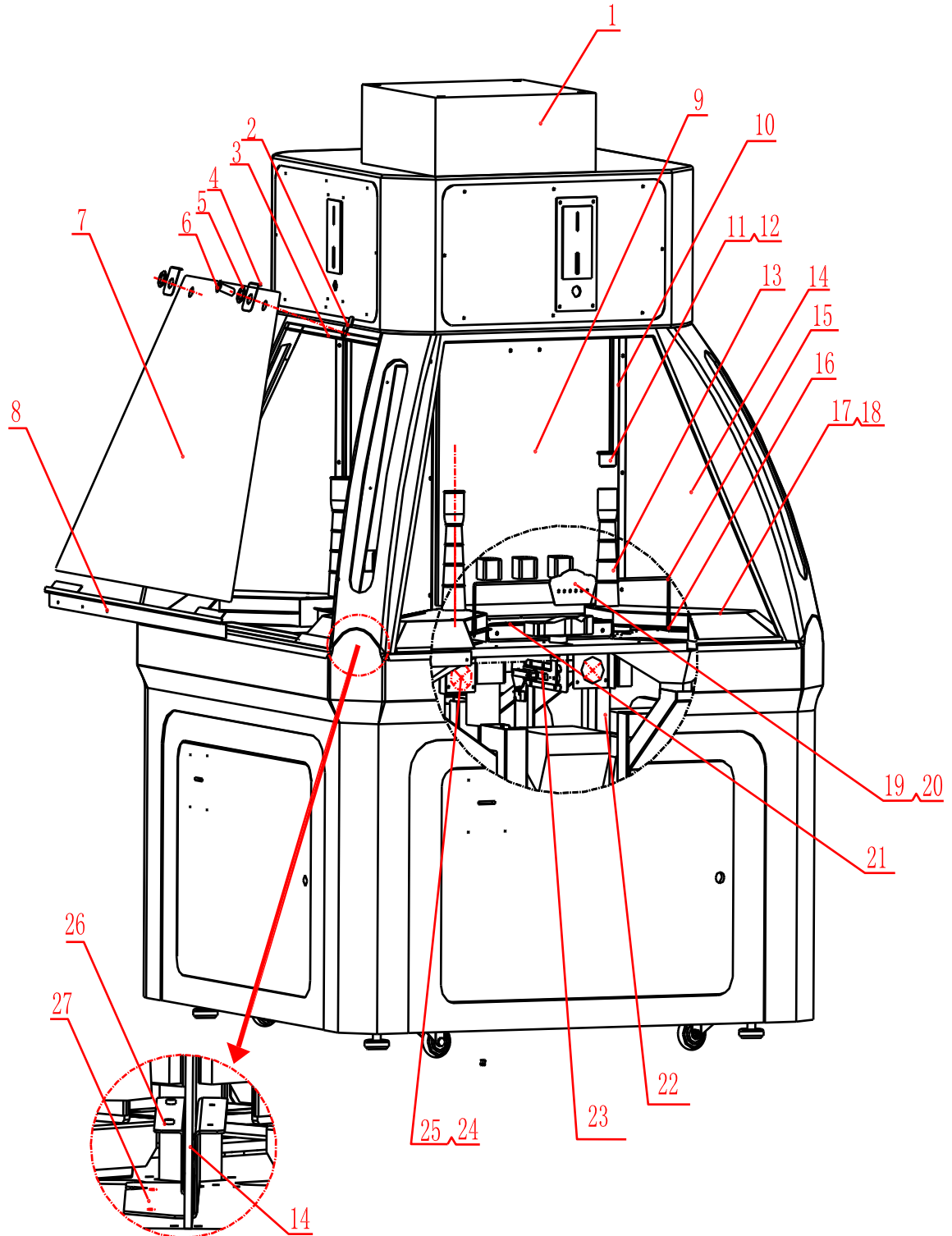
JP mummy binding: Lubricate mechanism and check for binding from the JP bracket.





10. Overall structure

10.1 Main part 1:





Pharaoh's Treasure

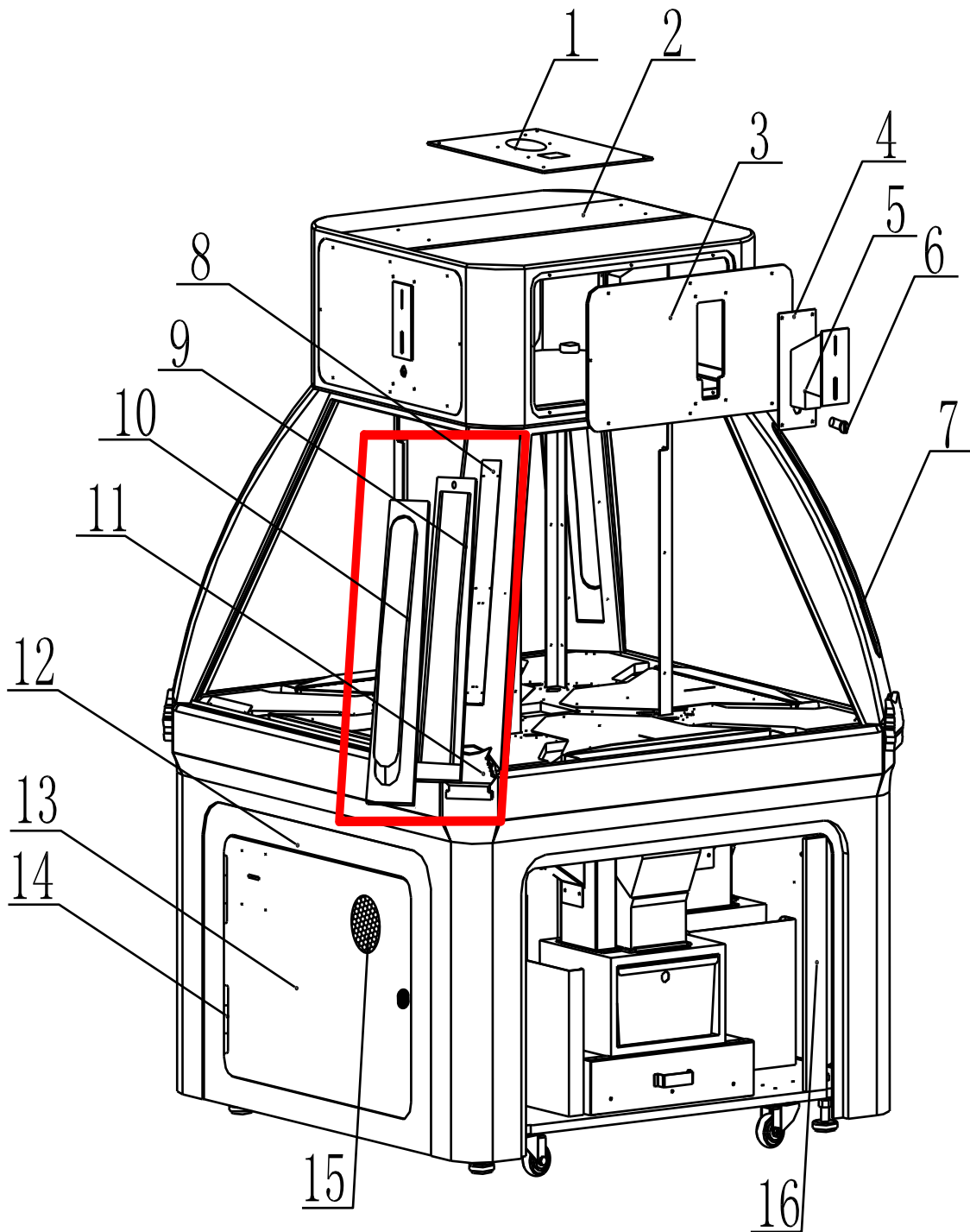
No.	Part No.	Name	Qty	Spec.	Note
1	P101-001-000	Outer part assembly	1	Assembly	
2	P101-101-000	Glass lock(171)	8	Q235 δ 3	
3	P101-601-000	Glass pads	4	Black δ 1	
4	P101-102-000	Lock plate	8	δ 1	
5	P101-103-000	Washer	8	Stainless Steel δ 1.5	
6	P101-406-000	Lock	8	171	
7	P101-602-000	Glass	4	δ 6	
8	P101-104-000	Glass protective plate	4	Steel δ 1	
9	P101-002-000	Playfield assembly	4	Assembly	
10	P101-105-000	Playfield edge plate	8	δ 1	
11	P101-603-000	Fire cloth	8	Silk	
12	P101-106-000	Fire cloth bracket	8	Q235	
13	P101-604-000	Fire holder	8	Plastic	
14	P101-605-000	Separation board	4	Clear acrylic δ 8	
15	P101-107-000	JP sign rod	8	Stainless steel ϕ 4	
16	P101-108-000	JP Sign pillar	8	Brass	
17	P101-109-000	Platform	8		
18	P101-110-000	Platform cover	8		
19	P101-111-000	JP Sign	4	Stainless steel δ 1	
20	P101-606-000	JP sign fix sleeve	4	Black nylon	
21	P101-002-000	Pushing assembly	1	Assembly	
22	P101-004-000	Inner assembly	1	Assembly	
23	P101-005-000	JP assembly	4	Assembly	
24	P101-112-000	Fan fixation	8	Q235 δ .2	
25	P101-407-000	Fan	8		
26	P101-801-000	LED fixation board	4	δ 1.2	
27	P101-113-000	Screen fixation board	4	δ 1.5	



Pharaoh's Treasure



10.2 Outer assembly :



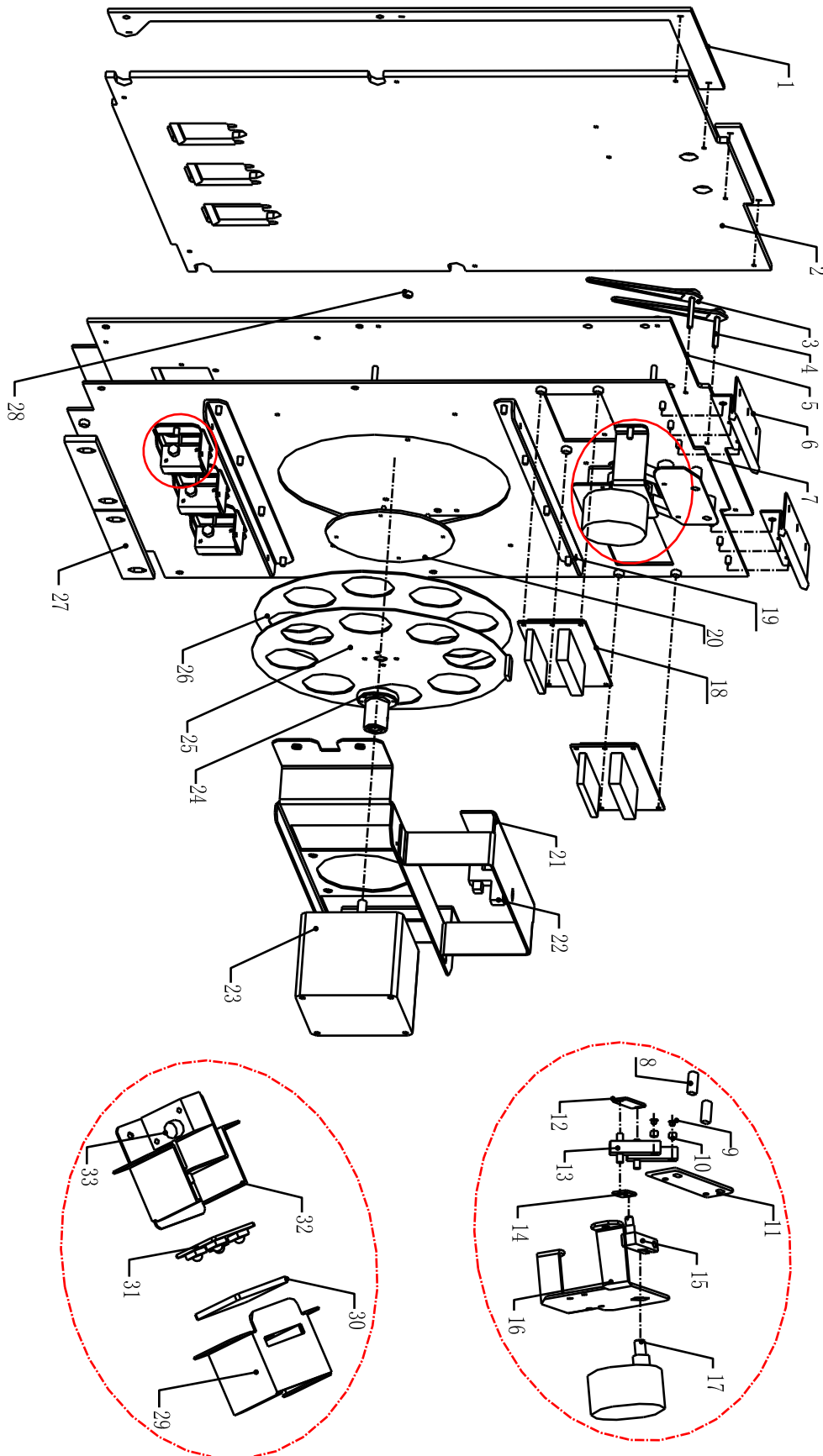


Pharaoh's Treasure

No.	Part No.	Name	Qty	Spec.	Note
1	P101-114-000	Vent install board	1	Q235 δ 1.5	
2	P101-501-000	Lamp fixation board	1	Plywood δ 15	
3	P101-607-000	Light box graphic	4	δ 5	
4	P101-006-000	Coin mech fixation board assembly	2		
5	P101-408-000	Coin mech	4		
6	P101-406-000	Lock	8	171	
7	P101-608-000	Cabinet fibreglass	1	δ 5	
8	P101-609-000	Brace lamp install board	4	δ 3	
9	P101-115-000	Brace lamp box holder	4	Q235	
10	P101-610-000	Brace lamp box	4	ABS	
11	P101-409-000	Ornament	4		
12	P101-502-000	Doorcase	4	Plywood δ 15	
13	P101-503-000	Front door	4	Plywood δ 15	
14	P101-410-000	Hinge	8	Q235 4"	
15	P101-116-000	Speaker net	4	Halftone	
16	P101-504-000	Block bar	4	Plywood δ 12	



10.3 Playfield assembly:



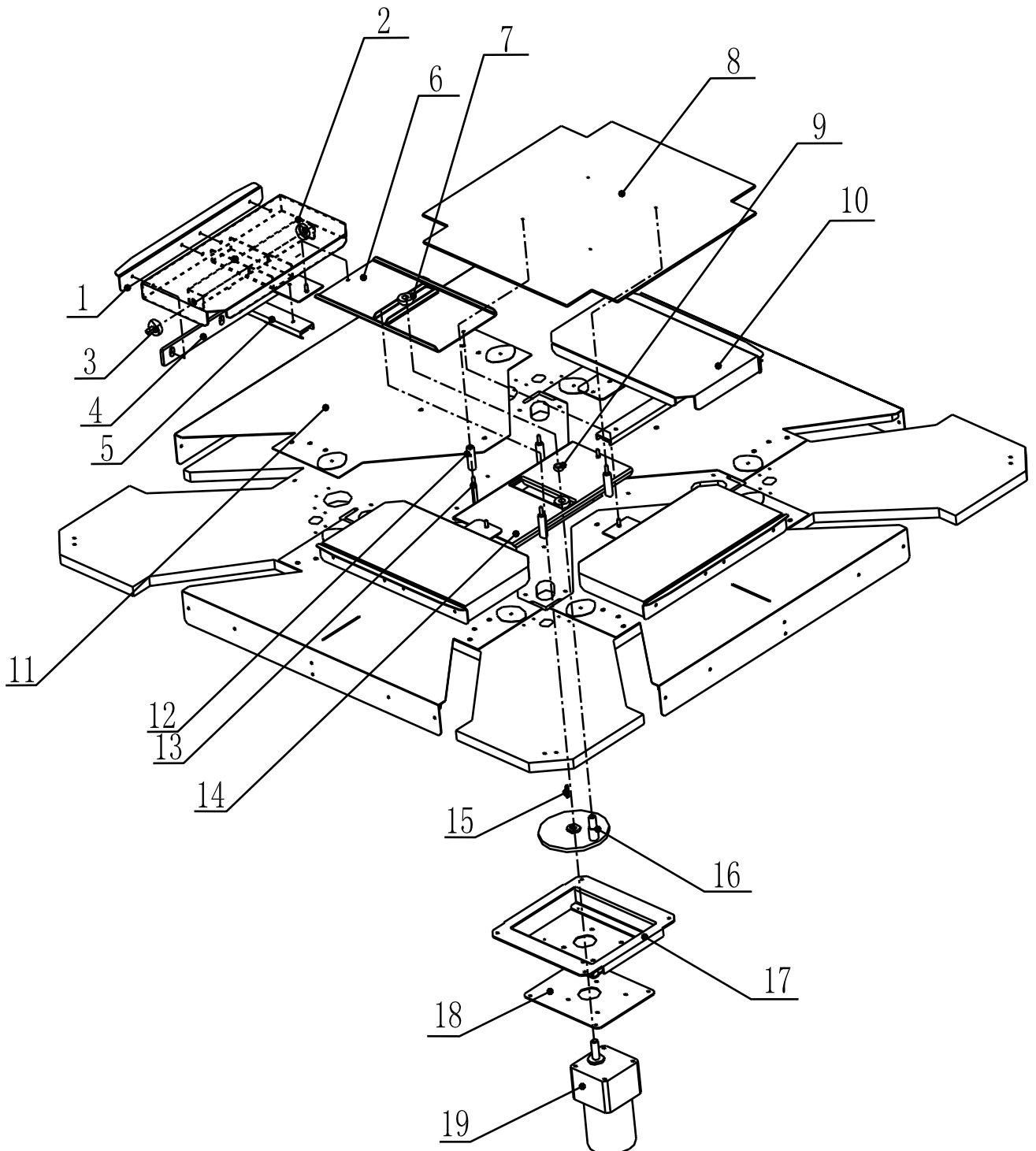


Pharaoh's Treasure

No.	Part No.	Name	Qty	Spec.	Note
1	P101-611-000	spacer	2	δ 3	
2	P101-612-000	Panel cover board	1	δ 5	
3	P101-613-000	Sway pole	2	Nylon	
4	P101-117-000	swing pole fixation pin	2	Stainless steel	
5	P101-614-000	Panel	1	δ 3	
6	P101-411-000	Hinge	2	Q235	
7	P101-118-000	Motherboard panel	2	δ 2	
8	P101-177-000	Block up bolt	2		
9	P101-412-000	Bearing	2		
10	P101-615-000	Nylon spacer	2	Nylon	
11	P101-178-000	Bearing holder	1	δ 2	
12	P101-119-000	Connect board	1	δ 1.5	
13	P101-120-000	swing pole	2	45#	
14	P101-121-000	Pull pole	1	δ 1.5	
15	P101-122-000	Sway eccentricity pole	1	45#	
16	P101-123-000	Motor fixation board	1	δ 1.5	
17	P101-413-000	Motor (AM-20)	1	3.7W/20RPM	
18	P101-802-000	LED Display	2		
19	P101-124-000	L Bracket	2	δ 2	
20	P101-125-000	Turnplate	1	δ 1	
21	P101-126-000	Motor plate	1	Q235 δ 1.5	
22	P101-414-000	Sensor	1		
23	P101-415-000	Motor	1	86HS35 1.8° /2.8A	
24	P101-127-000	Turnplate flange	1		
25	P101-128-000	Faceplate disk	1	δ 2	
26	P101-616-000	Turnplate score	1	δ 1	
27	P101-617-000	Scrape board	2	Nylon δ 5	
28	P101-618-000	spacer	5	PVC	
29	P101-129-000	Lamp cover	3		
30	P101-619-000	Astigmatism lights film	3		
31	P101-803-000	Lamp board	3	L-TBJ2 PCB V1.0	
	P101-130-000	Lamp holder	3		
	P101-416-000	Coin switch	3		



10.4 Drive assembly:



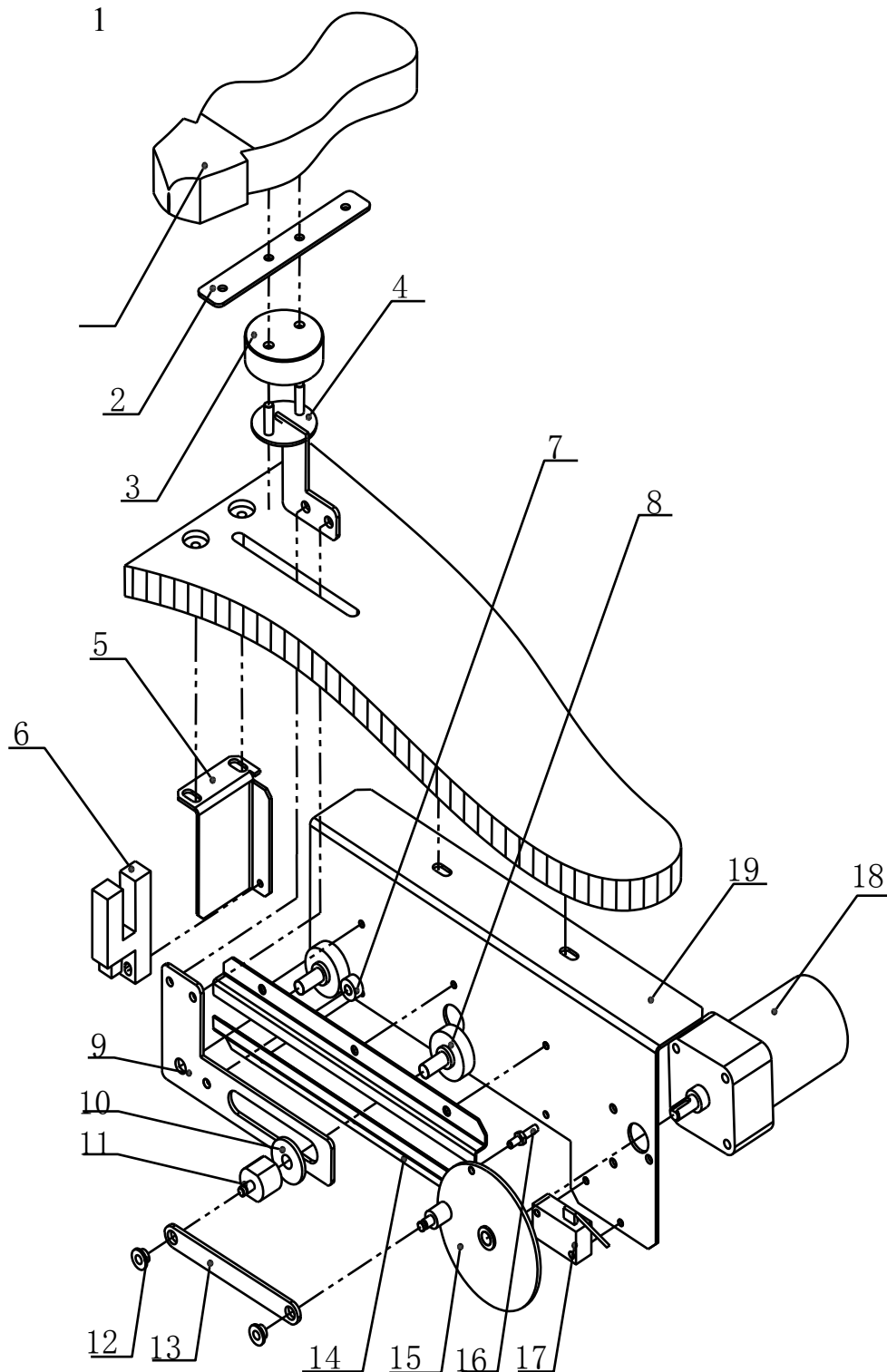


Pharaoh's Treasure

No.	Part No.	Name	Qty	Spec.	Note
1	P101-131-000	Pushing baffle	1	δ 1	
2	P101-132-000	Push board	1	δ 1	
3	P101-417-000	Pole bearing	2	φ 22	
4	P101-617-000	Scrape board	2	Nylon δ 5	
5	P101-133-000	Guide track	1		
6	P101-135-000	Upper glide board	1	δ 1.5	
7	P101-418-000	Bearing	2		
8	P101-621-000	Pushing assembly cover board	1	PVC δ 2	
9	P101-139-000	Bearing spacing sleeve	1	Stainless steel	
10	P101-007-000	Push board assembly	4		
11	P101-137-000	Pushing faceplate	4		
12	P101-622-000	Leading sleeve	4	Nylon	
13	P101-138-000	Leading orientation pole	4	Stainless steel	
14	P101-140-000	Lower glide board	1	δ 1.5	
15	P101-141-000	Key	1	45#	
16	P101-142-000	Eccentricity wheel	1	Q235	
17	P101-143-000	Motor fixation board	1	δ 1.5	
18	P101-144-000	Motor install board	1	δ 1.5	
19	P101-419-000	Motor	1	YN70-15/70JB 75G10	



10.5 Mummy bonus assembly:



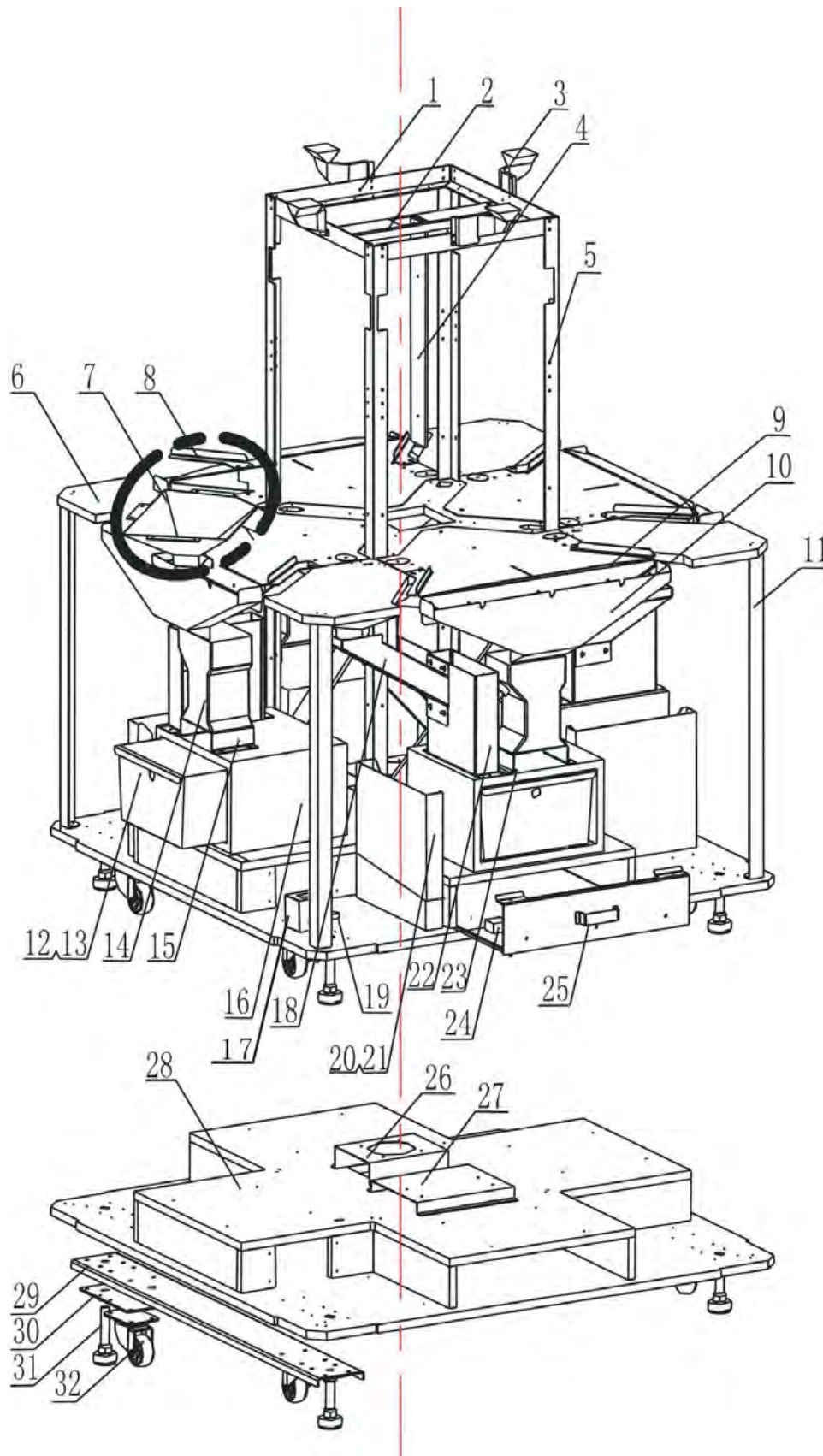


Pharaoh's Treasure

No.	Part No.	Name	Qty	Spec.	Note
1	P101-623-000	Mummy	1	Fibre	
2	P101-145-000	Mummy holder	1	δ 1.5	
3	P101-146-000	Bonus glide seat	1	Q235	
4	P101-147-000	Moving board		δ 1.2	
5	P101-148-000	Sensor holder	1	δ 1.5	
6	P101-414-000	Sensor	1		
7	P101-624-000	Glide board fixation sleeve	1	Nylon	
8	P101-417-000	Pole bearing	2	φ 22	
9	P101-149-000	Glide board	2	δ 2.0	
10	P101-625-000	Pulley shield ring	1	Nylon	
11	P101-626-000	connection rod seat	1		
12	P101-627-000	connection rod sleeve	2		
13	P101-150-000	connection rod	1	δ 2.0	
14	P101-151-000	Pulley groove board	2	δ 1	
15	P101-152-000	Wheel Drive	1		
16	P101-153-000	Switch press rod	1		
17	P101-420-000	Longer Mic.SW	1		
18	P101-421-000	Motor	1	SPR380AA-1250	
19	P101-154-000	Bonus holder	1	δ 1.5	



10.6 Interior assembly:



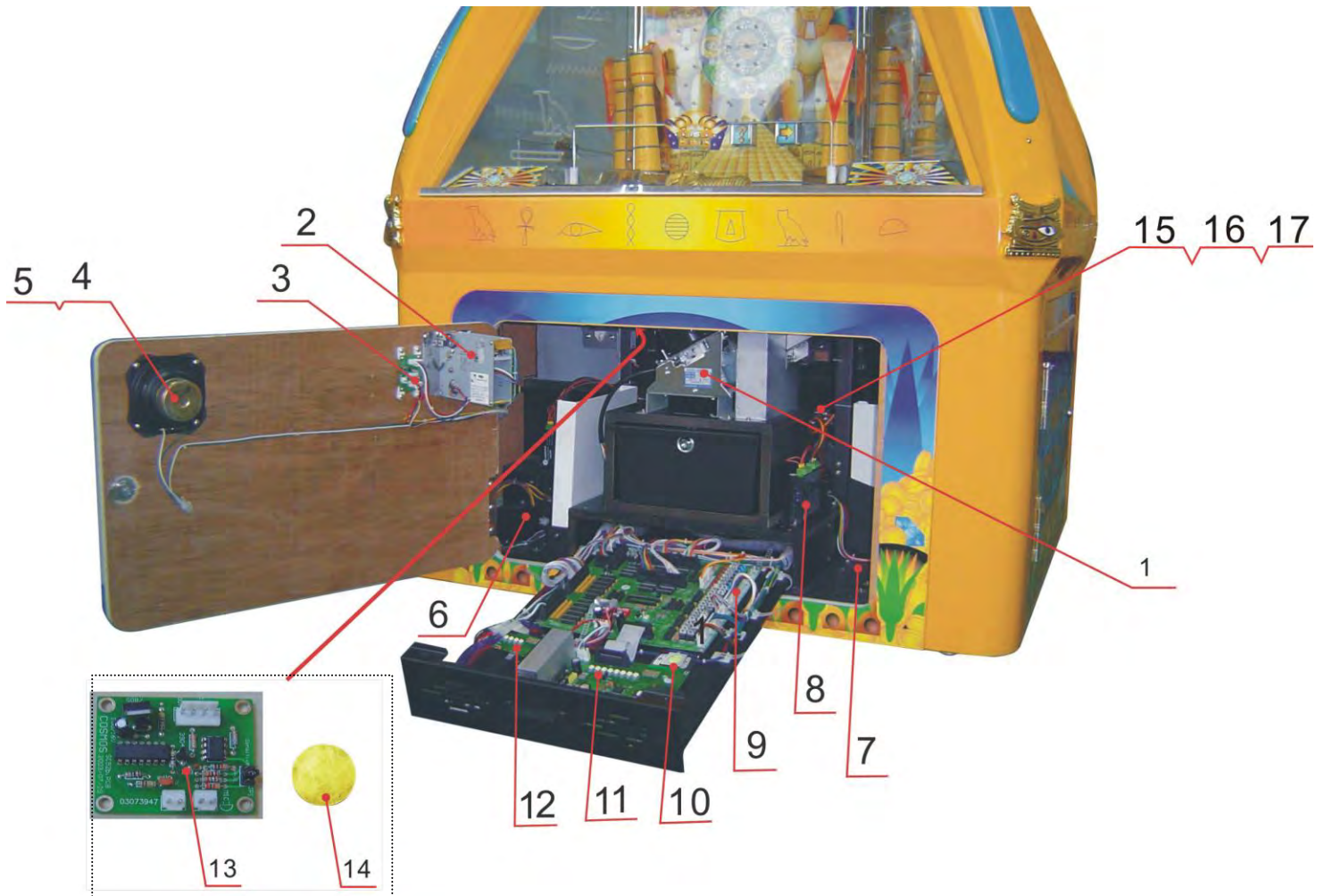


Pharaoh's Treasure

No.	Part No.	Name	Qty	Spec.	Note.
1	P101-155-000	Top reinforce angle iron	4	Q235 δ 2	
2	P101-505-000	Daylight lamp holder	4	plywood δ 12	
3	P101-156-000	Coin funnel	4	Stainless steed δ 1	
4	P101-628-000	Lamp board	1	PVC δ 5	
5	P101-157-000	Bracket	1	δ 2.5	
6	P101-506-000	Board	1		
7	P101-158-000	Return funnel	4	Stainless steed δ 1	
8	P101-159-000	House chute plate	8	δ 1.5	
9	P101-160-000	Passing adjust board	4	δ 1	
10	P101-161-000	Drop funnel	4	δ 1	
11	P101-162-000	Brace angle iron	4	Q235 δ 2.5	
12	P101-163-000	Inner coin box	4	Q235 δ 1	
13	P101-422-000	Coin lock	4	2222	
14	P101-423-000	Coin hopper (SH-400-0)	4	24V DC	
15	P101-164-000	Hopper	4	δ 1.5	
16	P101-507-000	Outer coin box	4		
17	P101-165-000	Switch holder	1	Q235 δ 1	
18	P101-166-000	Coin groove	4	δ 1	
19	P101-629-000	Crossing pipe	1		
20	P101-167-000	Ticket box	4	Q235	
21	P101-168-000	Ticket box holder	4	Q235	
22	P101-169-000	Coin drop groove	4	Q235 δ 1.5	
23	P101-170-000	Hopper press board	2	δ 1	
24	P101-171-000	Battery holder	1		
25	P101-172-000	Main board box	1	Q235 δ 1.5	
26	P101-173-000	Vent holder	1	δ 1	
27	P101-174-000	Power box mounting board	1	δ 1.5	
28	P101-508-000	Motherboard interlayer	1		
29	P101-175-000	Base reinforce board	2	Q235 δ 2	
30	P101-176-000	Castor bracket	4	Q235 δ 3	
31	P101-424-000	Levelers	4		
32	P101-425-000	Castor	4	2.5''	



10.7 Electrical part :



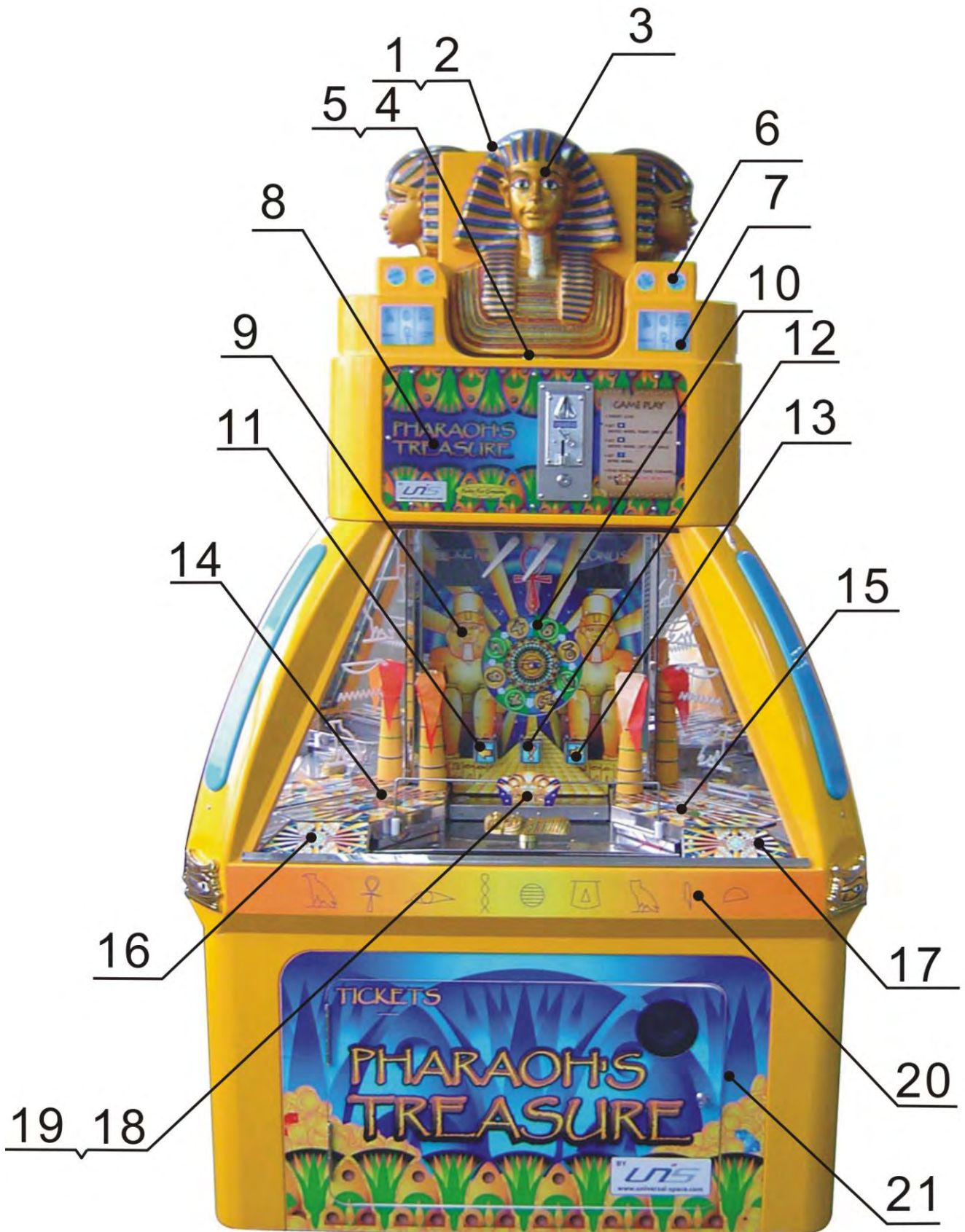


Pharaoh's Treasure

No.	Part No.	Name	Qty	Spec.	Note
1	P101-423-000	Coin hopper	4		
2	P101-426-000	Ticket mech	4		
3	P101-804-000	Ticket inverter board	4	TICK-CH.PCB	
4	P101-427-000	Speaker	4	4" 8 Ω 25W	
5	P101-116-000	Speaker net	4		
6	P101-428-000	Large-size switch	1		
7	P101-429-000	Counter	1	12v	
8	P101-430-000	Motor driver board	4		
9	P101-805-000	Main board	1	PLAYC8F	
10	P101-431-000	Battery assembly	1	T326	
11	P101-806-000	Music board	1	SY-MUSIC01 CPB	
12	P101-807-000	Relay Board	1	SC52.PCB	
13	P101-808-000	Microphone Board	4	DTQ04.PCB	
14	P101-432-000	Microphone	4		
15	P101-433-000	Power switch	1	EPT-H335S24	
16	P101-434-000	Power switch	1	EPT-H335S12	
17	P101-435-000	Vent	1	SF23092AT(90mm×90mm)	
18	C-2-32	Coin Hopper Board	1		





10.8 Game decal :





Pharaoh's Treasure

No.	Part No.	Name	Qty	Spec.	Note
1	P101-436-000	Vent	1	SP100A	
2	P101-437-000	Net cover	2		
3	P101-630-000	Pharah's treasure	4		
4	P101-438-000	Spot light cup	4	12V white light	
5	P101-402-000	Spot light bracket	4	TH101	
6	P101-701-000	Sapphire decal	16	32×31	
7	P101-702-000	Ornament decal	16	95×85	
8	P101-703-000	Header decal	4	498×238	
9	P101-704-000	Main decal	4	385×481	
10	P101-705-000	Turnplate score decal	4	200×200	
11	P101-706-000	Panel aim decal	4	37×34	
12					
13					
14	P101-707-000	Flat roof cover side_L decal	4	270×266	
15	P101-708-000	Flat roof cover side_R decal	4	270×266	
16	P101-709-000	Flat roof side_L decal	4	183×72	
17	P101-710-000	Flat roof side_R decal	4	183×72	
18	P101-711-000	JP Signage decal	4	105×60	
19	P101-809-000	LED board	4	8×0.8cm	
20	P101-712-000	Clarity animal decal	4	946×74	
21	P101-713-000	Front door decal	4	798×499	
22	P101-714-000	Information decal	1		
23	P101-715-000	High voltage decal	1		
24	P101-716-000	No touching decal	1		
25	P101-717-000	Ticket counter decal	1		
26	P101-718-000	Coin counter decal	1		