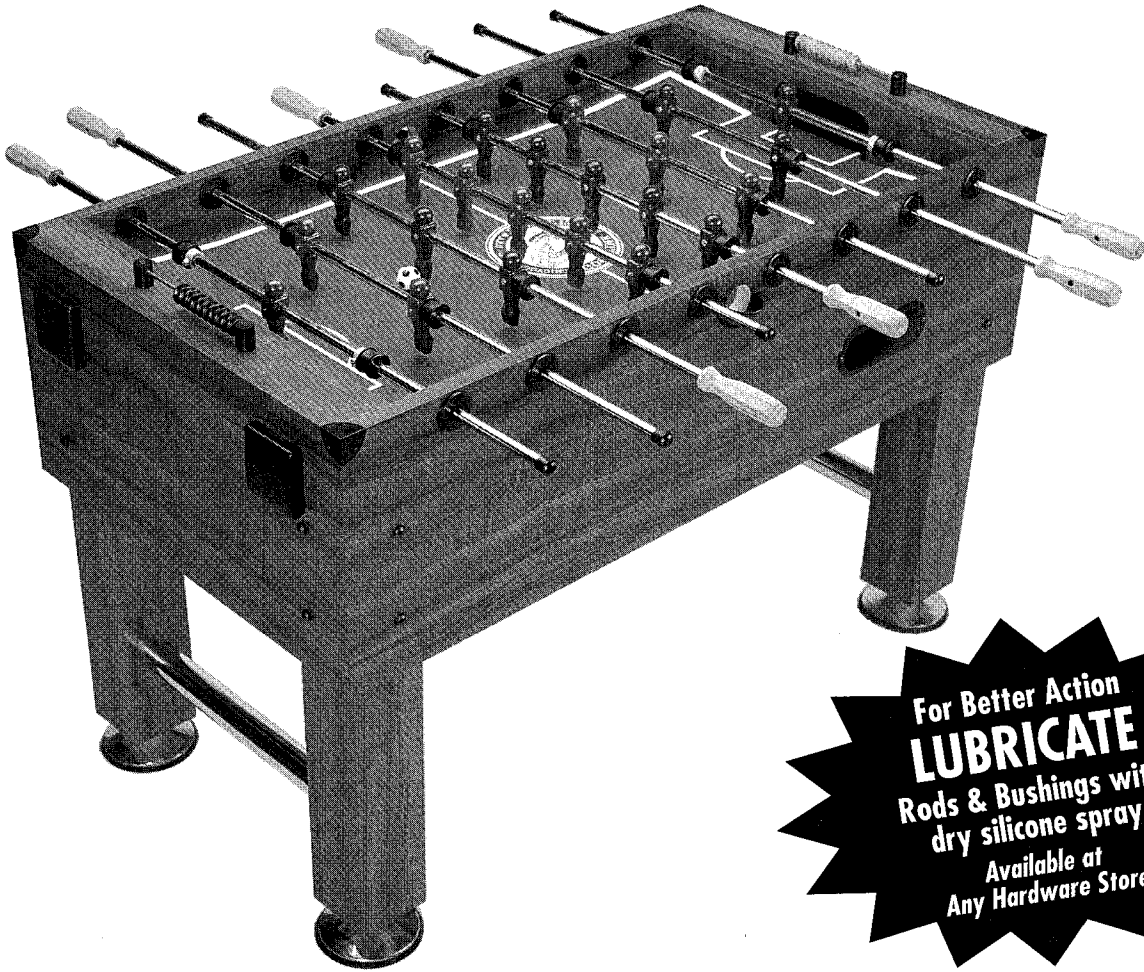


# GIBRALTAR

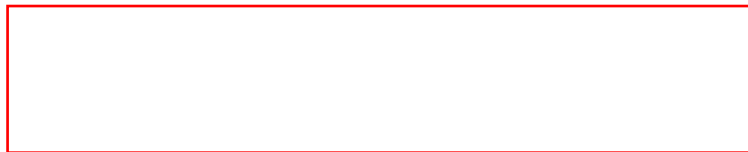
PROFESSIONAL STYLED FOOSBALL TABLE  
DELUXE MODEL #2000 dlx



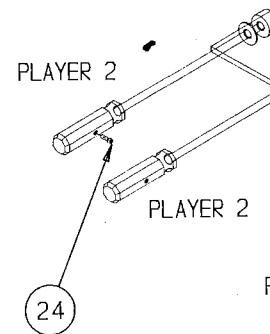
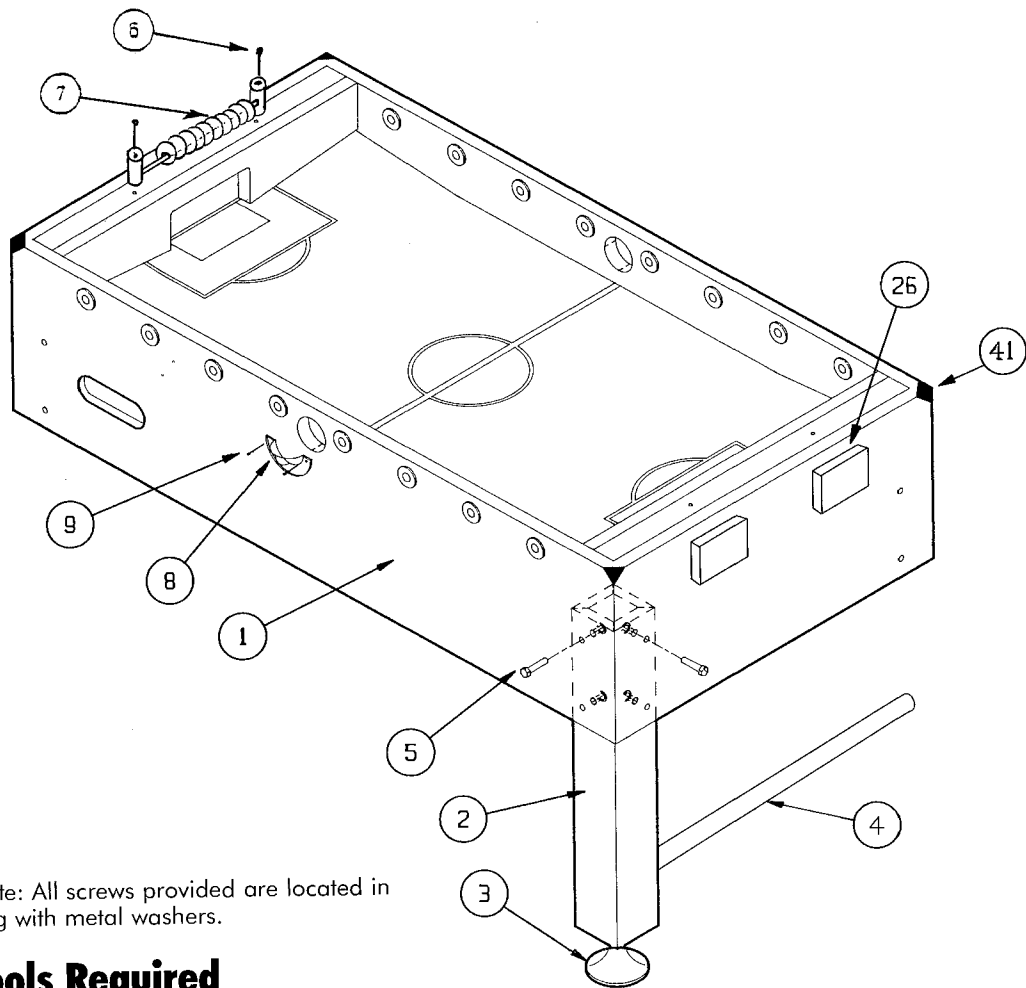
For Better Action  
**LUBRICATE**  
Rods & Bushings with  
dry silicone spray  
Available at  
Any Hardware Store

## Installation Instructions AND Parts List

REVISED



MADE IN USA  
FGH 65020021R 4-00



Note: All screws provided are located in bag with metal washers.

### Tools Required

1. Straight Head Screwdriver
2. Phillips Head Screwdriver
3. Pliers or Vice Grip
4. Crescent Wrench

### Cabinet Assembly Steps

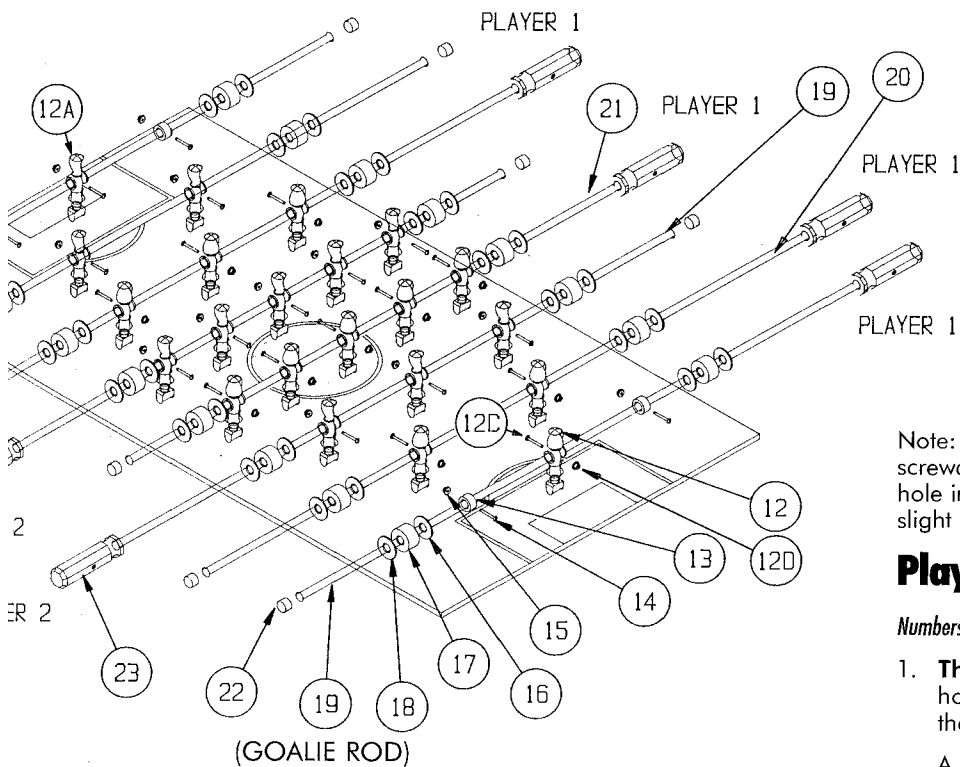
Numbers in parenthesis refer to circled items above.

1. Open carton as instructed on carton.
2. Take out legs and accessories.
3. Take cabinet out of carton and lay upside down (item 1). Requires two persons.
4. Fasten (2) legs to cabinet by using (5) leg bolts. Each leg takes four leg bolts. Insert (4) steel tube. Securely tighten all bolts after steel tubes are assembled.
5. While table is upside down, attach (3) leg levelers to each leg.
6. Turn cabinet rightside up. Requires two persons.
7. Attach (8) entry dish with (9) entry dish screws.
8. Attach (7) score counters with (6) score counter screws. Screw holes are pre-drilled. Use long screws in package.
9. Level the table by adjusting the levelers at leg bottoms.
10. Attach drink holders (26).

Now you are ready to assemble the playfield.

### Gibraltar Replacement Parts List

ITEM	PART NO.	DESCRIPTION	STD.PACK	LOCATION
01	FGH-20-100-102	Cabinet Assembly	1	In Carton
02	FGH-20-100-112	Post Leg	4	In Carton
03	FGH-69-020-911	Leg Leveler Assembly	4	Box #1G
04	FGH-89-090-200	Steel Tube Leg Brace	2	In Carton
05	FGH-82-362-376	Leg Bolt	16	In Carton
06	FGH-81-060-565	Mounting Screw (Score Counter)	4	Box #1G
07	FGH-99-210-111	Wood Score Counter	2	Box #1G
08	FPB-69-020-411	Entry Dish	2	Box #1
09	FGH-81-060-565	Entry Dish Screw	8	Box #1G
10	FGH-69-020-911	Ball Bearings	16	Installed
12	FGH-69-020-012	Playing Men, Blue Team	11	Box #1G
12A	FGH-69-020-002	Playing Men, Red Team	11	Box #1G
12C	FPB-82-831-254	Playing Men Mounting Screw	22	Box #1
12D	FPB-83-832-510	Playing Men Mounting Nut	22	Box #1
13	FPB-69-021-111	Set Ring	4	Box #1
14	FPB-82-831-254	Set Ring Screw	4	Box #1
15	FPB-83-832-510	Set Ring Nut	4	Box #1
16	FPB-84-062-133	Metal Washer	16	Box #1



**Player 1—Blue Figure**  
**Player 2—Red Figure**

Note: Tighten playing men securely using a straight screwdriver and vice grip. Screw goes into pre-drilled hole in playing men and nut goes on the side showing a slight indentation for hex head nut.

## Playfield Assembly Instructions

Numbers in parenthesis refer to circled items above.

1. **Three hole goalie rod (see item 19):** Insert in first hole next to one end. Place the parts on this rod in the following order:

- A. (18) Plastic Washer
- B. (17) Rubber Bumper
- C. (16) Metal Washer
- D. (13) Set Ring
- E. (12) **Blue Soccer Man** (with back to goal)
- F. (13) Set Ring
- G. (16) Metal Washer
- H. (17) Rubber Bumper
- I. (18) Plastic Washer

Now, slide this rod through the other hole on the opposite side panel. Put (22) rod cap and (23) rod handle on the rod. Attach (13) set ring with (14 and 15) screw and nut set. Attach (12) **blue soccer man** with this (12C & D) screw and nut set.

2. Insert rods (20), (19) and (21) into second, fourth and sixth hole on your side of the table. Count from the left.
3. **Rod (20):** Place (18) plastic washer, (17) rubber bumper, (16) metal washer, (12) **two blue soccer men** (back to goal), (16) metal washer, (17) rubber bumper and (18) plastic washer. Put rod through other side of table and complete assembly same as rod (19), see step 1.
4. **Rod (21):** Place (18) plastic washer, (17) rubber bumper, (16) metal washer, (12) **five blue soccer men** (back to goal), (18) metal washer, (17) rubber bumper and (18) plastic washer. Put rod through other side of table and complete assembly same as Rod (19) and (20).
5. **Rod (19):** Place (18) plastic washer, (17) rubber bumper, (16) metal washer, (12) **three blue soccer men** (back to goal), (16) metal washer, (17) rubber bumper and (18) plastic washer. Put rod through other side of table and complete assembly same as rod (19) goalie, (20) and (21).
6. Go to other side of table and assemble **red soccer men** in the same manner.

Note: be sure all soccer men have their backs to their respective goals, the goals they defend.

See Warranty for Conditions of Play

ITEM	PART NO.	DESCRIPTION	STD.PACK	LOCATION
17	FPB-69-020-311	Rubber Bumper	16	Box #1
18	FPB-84-062-138	Plastic Washer	16	Box #1
19	FGH-89-090-122	3 Men Rod (Goalie)	4	Box #2G
20	FGH-89-090-132	2 Men Rod	2	Box #2G
21	FGH-89-090-112	5 Men Rod	2	Box #2G
22	FPB-69-020-711	Rod Cap	8	Box #1
23	FGH-99-020-111	Wooden Handle	8	Box #1G
24	FGH-81-130-565	Wooden Handle Set Screw	8	Box #1G
25	FGH-69-020-211	Play Ball	6	Box #1G
26	FGH-69-021-112	Drink Holders/Screws	4	In Box
31	FGH-65-020-021	Instruction Sheet	1	In Carton
41	FGH-89-090-210	Corner Protector	4	Installed
42	FGH-81-030-505	Screw, Protector Mounting	12	Installed
52	FPB-69-021-021	Ball Return Liner (Wide)	2	Installed
53	FGH-69-020-811	Goal Liner (Black) (In Carton)	2	Optional
	FGH-33-101-121	Ball Acceptor Box (Not Shown)	2	
	FGH-33-101-122	Ball Return Box (Not Shown)	2	
	FGH-33-101-130	Ball Box Hose Connector (Not Shown)	2	

**For Better Action  
LUBRICATE**  
Rods & Bushings with  
dry silicone spray  
Available at  
Any Hardware Store

# GIBRALTAR

PROFESSIONAL STYLED FOOSBALL TABLE  
DELUXE MODEL #2000 dlx

## ASSEMBLY DIAGRAM

THIS IS THE WAY THE PLAYFIELD SHOULD LOOK WHEN COMPLETED.

