

Doc Part No. 64810

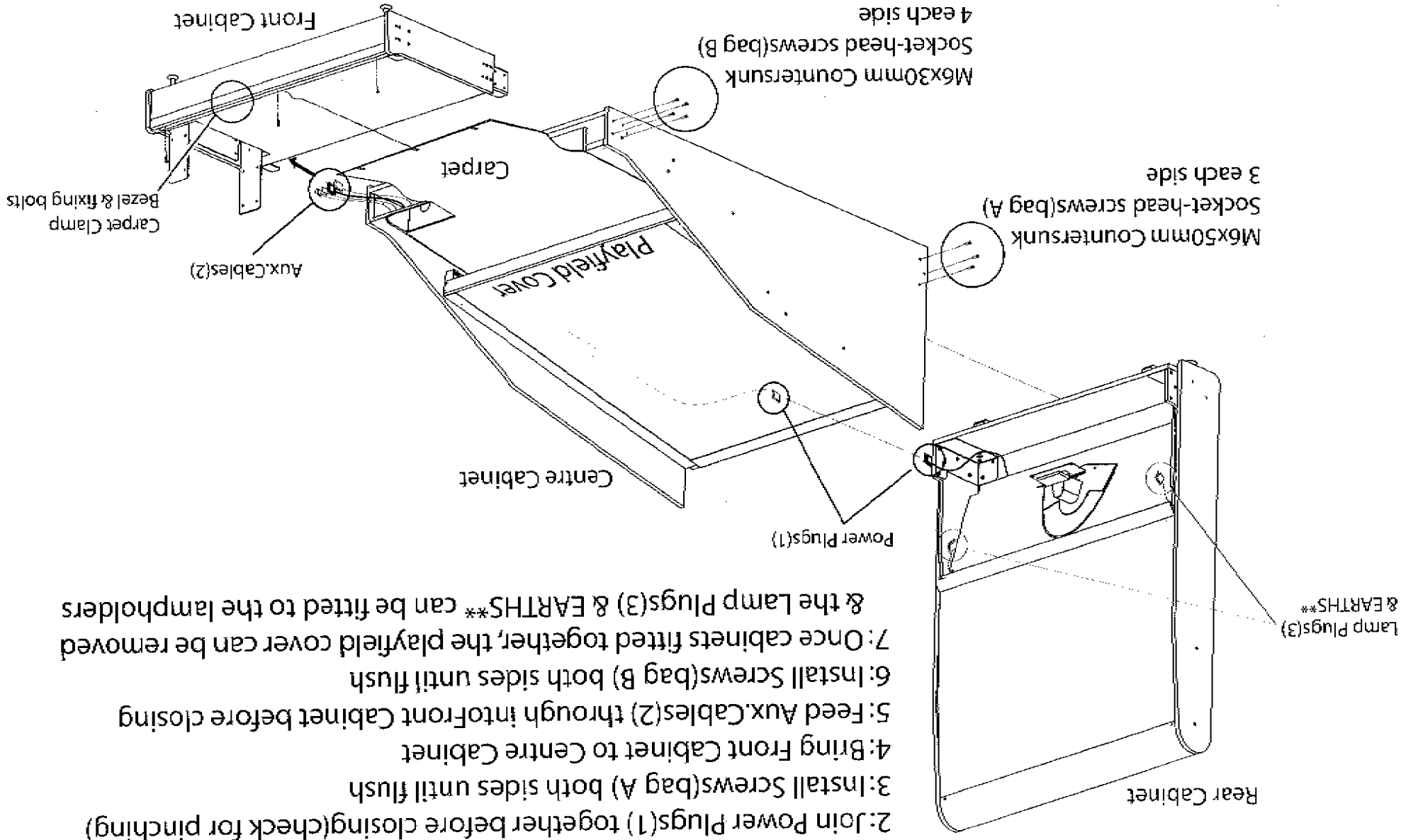
X-PUTT MUST BE INSTALLED
ON AN EVEN FLAT SURFACE
TO ENSURE EASY ASSEMBLY
& CORRECT GAMEPLAY

THIS ASSEMBLY GUIDE
MUST BE FOLLOWED TO
ENSURE SAFE OPERATION
OF THE X-PUTT MACHINE.

X-PUTT ASSEMBLY GUIDE

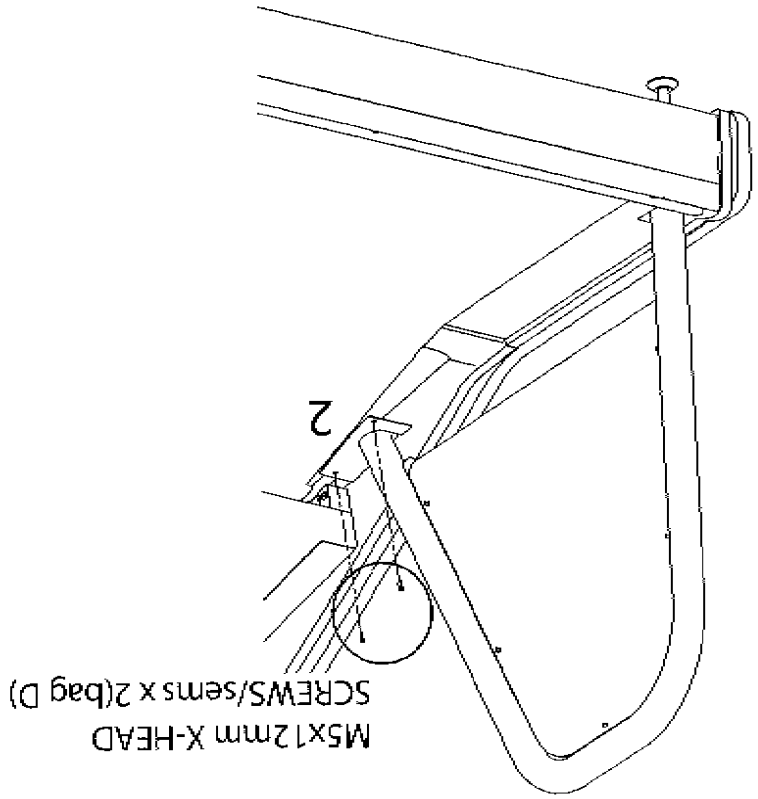
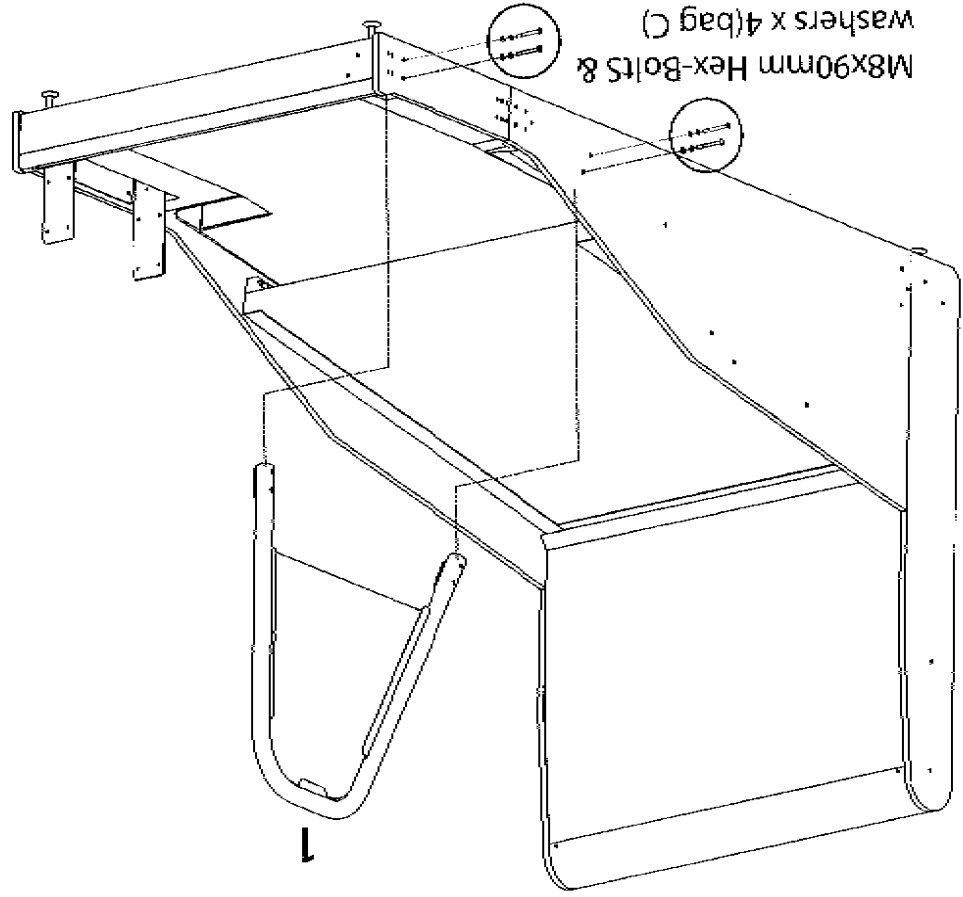
1: FITTING THE CABINETS TOGETHER

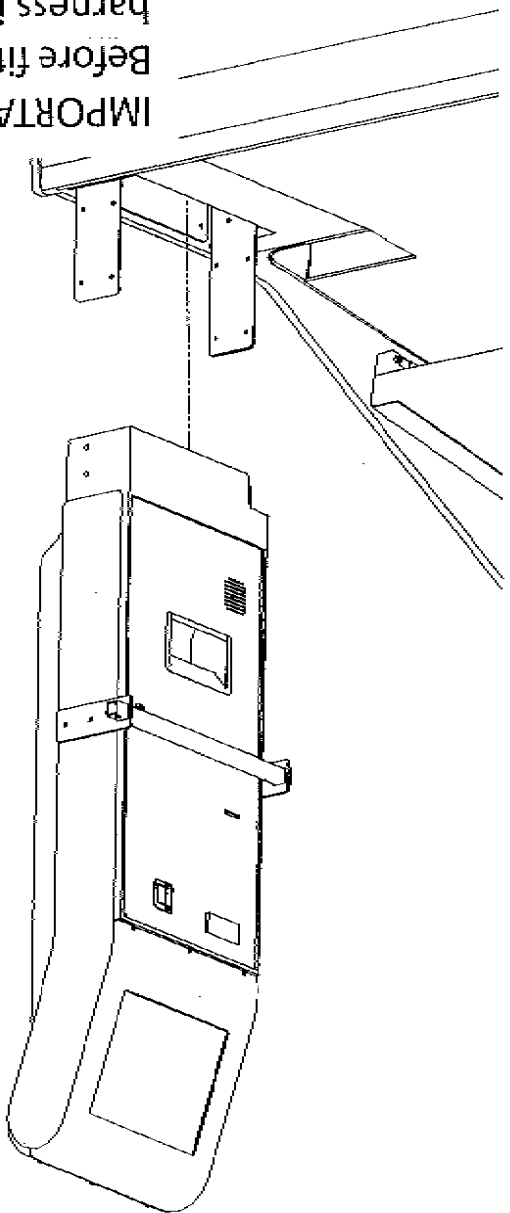
- 1: Bring Rear Cabinet to Centre cabinet
- 2: Join Power Plugs(1) together before closing(check for pinching)
- 3: Install Screws(bag A) both sides until flush
- 4: Bring Front Cabinet to Centre Cabinet
- 5: Feed Aux.Cables(2) through into Front Cabinet before closing
- 6: Install Screws(bag B) both sides until flush
- 7: Once cabinets fitted together, the playfield cover can be removed & the Lamp Plugs(3) & EARTHS** can be fitted to the lampholders



**Failure to fit the EARTHS to the lampholders will cause erratic gameplay!

FITTING THE SAFETY-RAIL(1) & COVER PLATE(2)

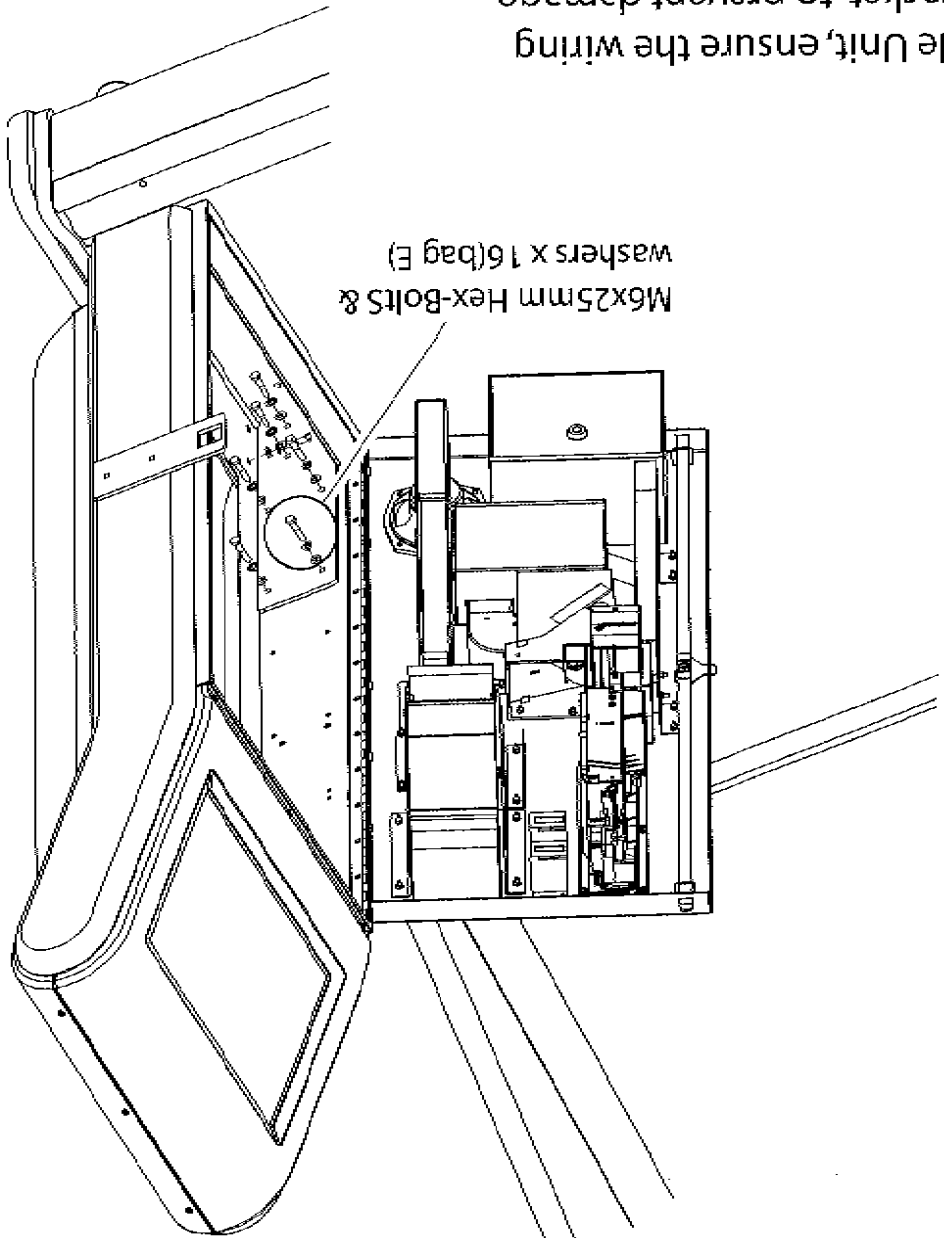


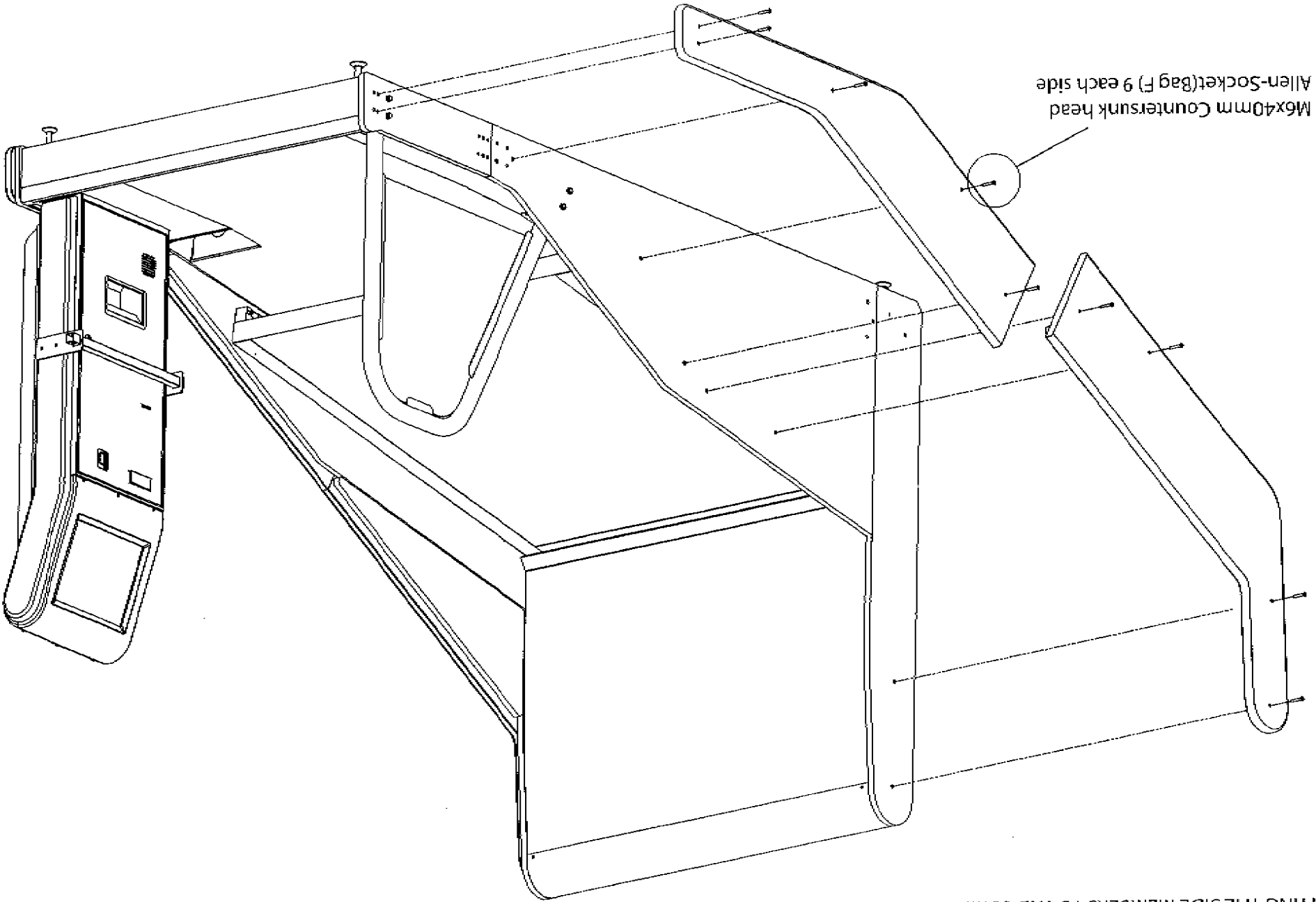


IMPORTANT!

Before fitting the Console Unit, ensure the wiring harness is clear of the bracket, to prevent damage. Once the Console Unit is secure, feed the Aux cables through & connect securely

FITTING THE CONSOLE UNIT

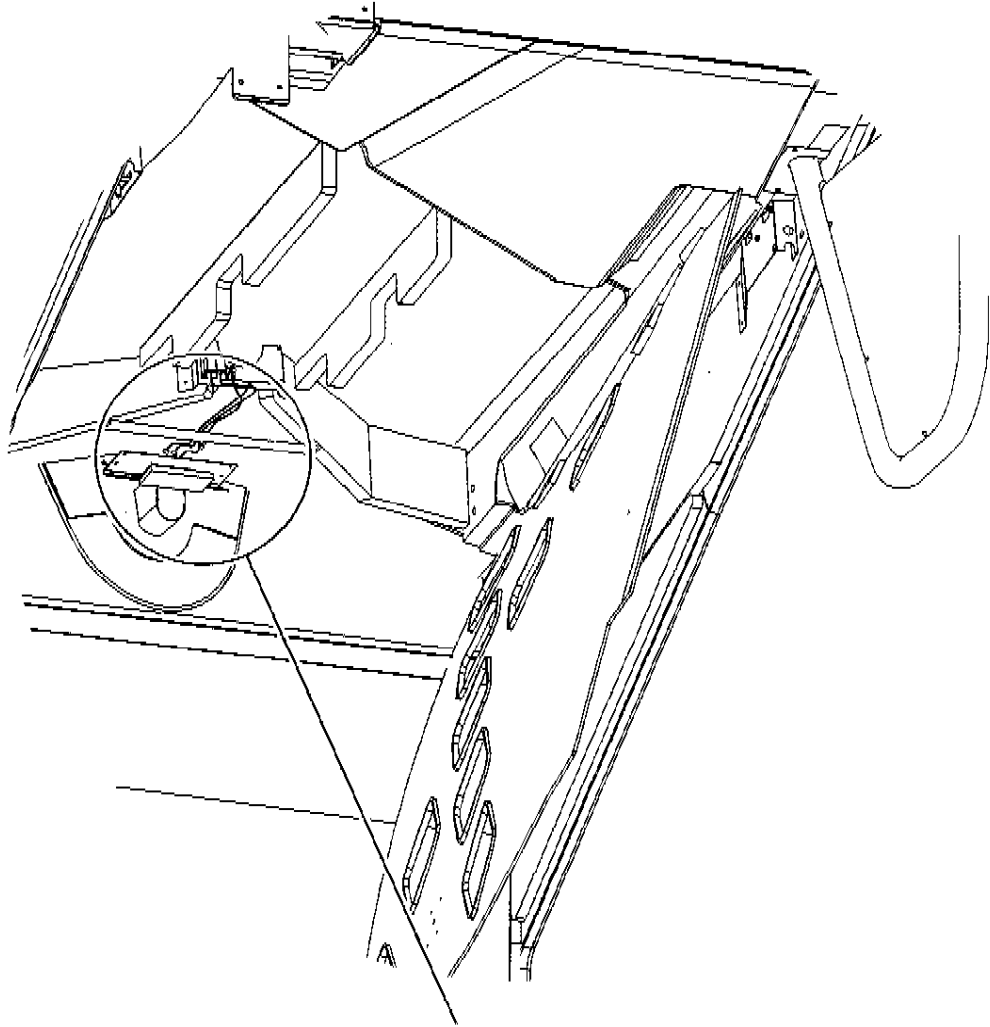




FITTING THE SIDE MEMBERS TO THE COMPLETED CABINET

PLAYFIELD CONNECTIONS

After removing the clear cover & folding carpet back from stance area, locate & remove the screws that secure the playfield down(3 at the front & 2 on the right-hand side under the carpet) & prop the playfield up. Connect the remaining 3 connections, 1 plug-to-plug & 2 plug-to-board connections(it is not important which way around the RJ45 board plugs go on the board)



Finally, close the playfield down, secure with the 4 screws removed previously, fold the carpet back into position, fit the carpet-clamp bezel & bolts re-fit the clear cover securely. Level the completed machine & be sure to install 3 golf-balls minimum & test the machine in accordance with the manual before allowing customer play.