



## FC-093 Little Ladybird



### Specification

**Dimension** L165 x W120 x H120 cm

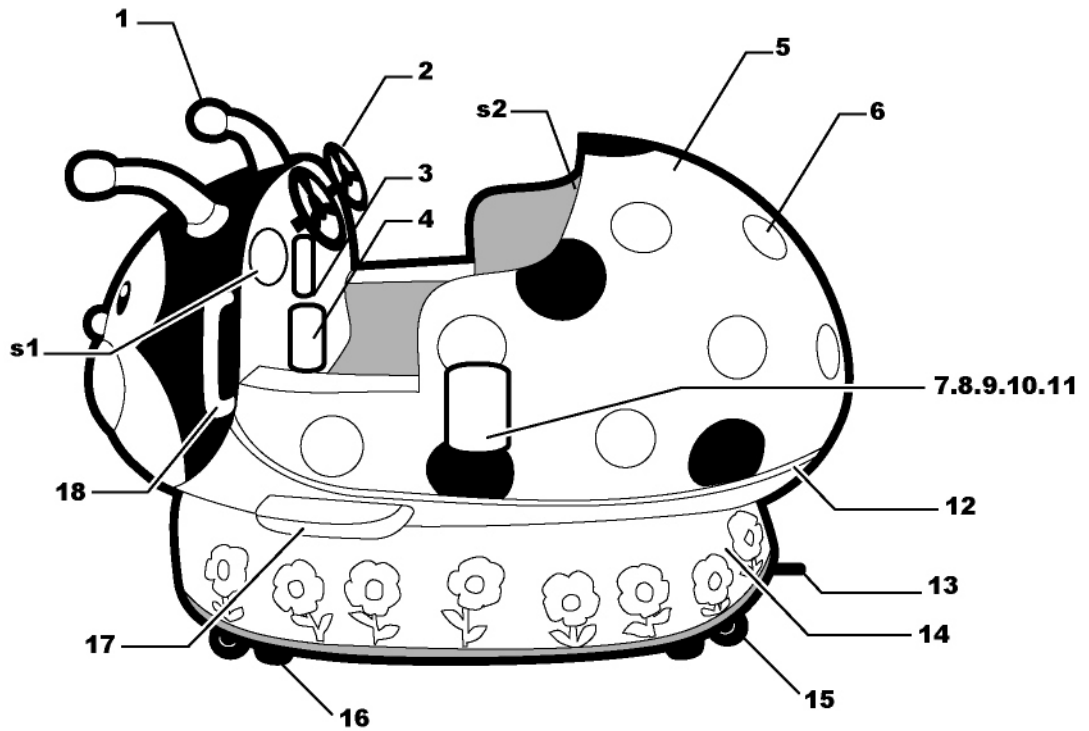
**Weight** 120 kgs

**Voltage** 110V AC, 60Hz, 3A, Max 6A  
220V AC, 50Hz, 3A, Max 6A



Little Ladybird FRP Model Assembly

**Little Ladybird Detail Manual**

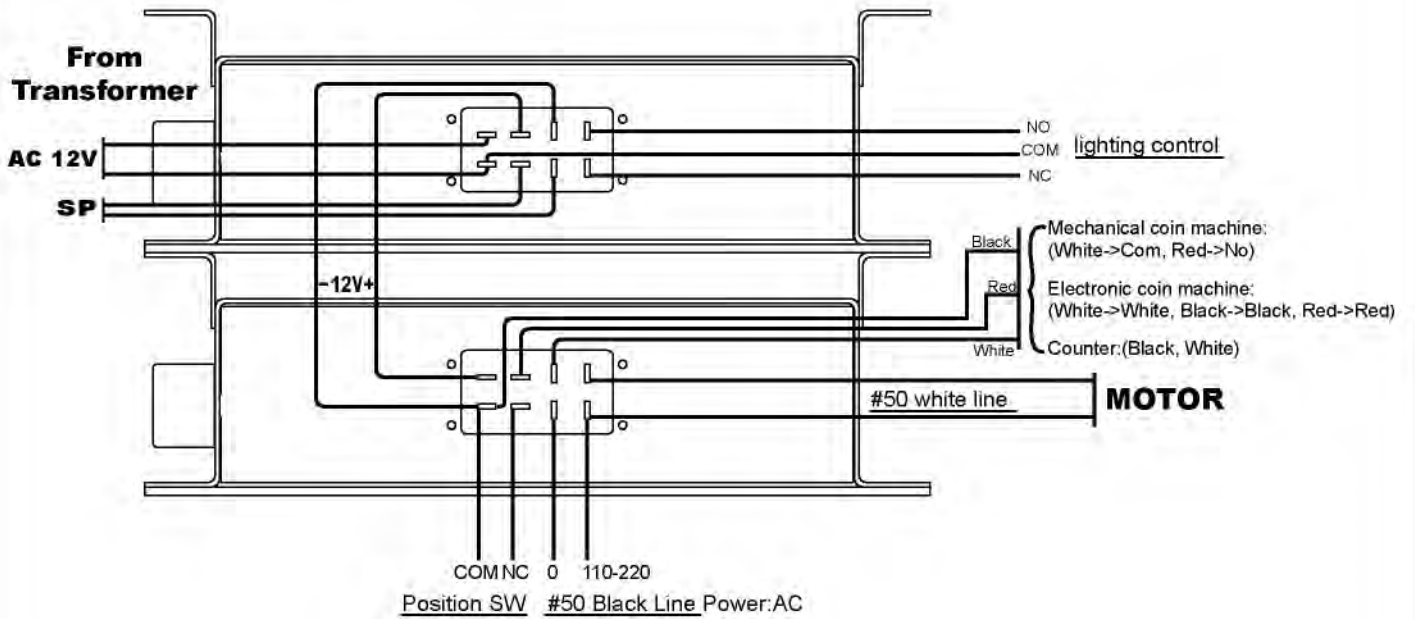


**SIDE VIEW**

- |                                   |  |                |
|-----------------------------------|--|----------------|
| 1. Light#7                        | 10. Controller                         | s1~s2. Sticker |
| 2. Steering wheel#1               | 11. LED light PCB                      |                |
| 3. Electronic coin machine(key#1) | 12. Light#9                            |                |
| 4. Coin box(key#2)                | 13. Power-plug locates at rear of base |                |
| 5. Little Ladybird FRP            | 14. Base of garden shape               |                |
| 6. Light#8                        | 15. Wheel                              |                |
| 7. Maintenance door-big(key#1)    | 16. Fixer                              |                |
| 8. Double frame                   | 17. Ladder#3                           |                |
| 9. Music box                      | 18. Handlebar#3                        |                |

FC-P0001 Double Frame

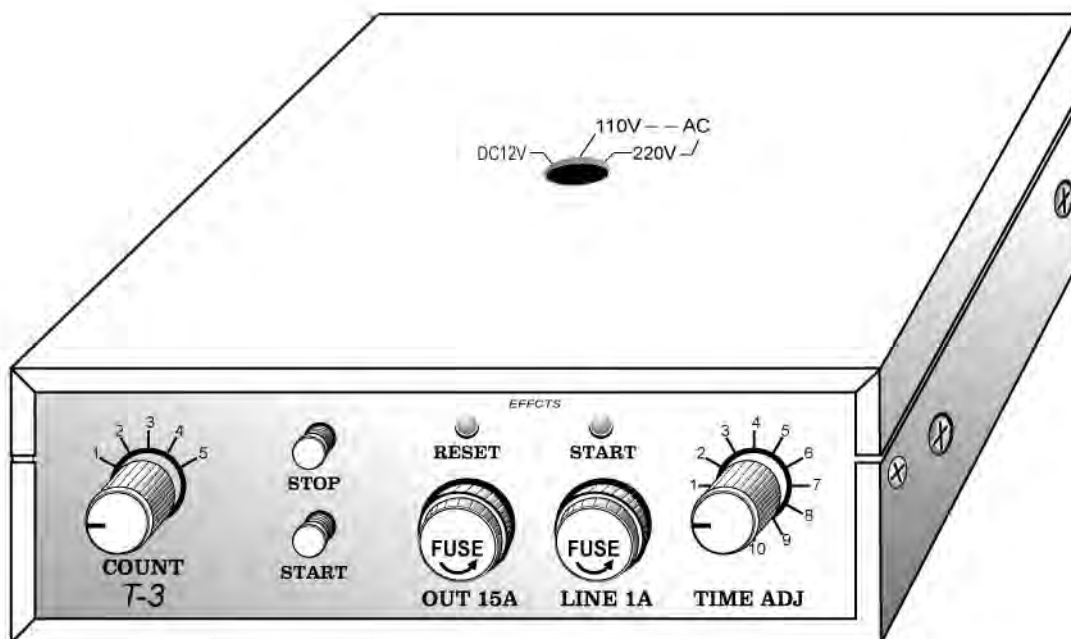
**Double Frame Wire Manual**



size: W188mm x L78mm x H113mm

FC-P0003 Controller

**Controller Operating Manual**



**Count:** Adjust the coin from 1 coin to 5 coins

**Stop Button:** For Checking machine without insert coin to "STOP" the machine

**Start Button:** For Checking machine without insert coin to "START" the machine

**Reset:** Red lighting when power connect

**Start:** Green lighting when machine start to working

**1~12 play Time adjust:**

- |                             |                             |
|-----------------------------|-----------------------------|
| 1. 1 Minute and 30 Seconds  | 7. 3 Minutes and 30 Seconds |
| 2. 1 Minute and 40 Seconds  | 8. 4 Minutes                |
| 3. 1 Minute and 50 Seconds  | 9. 4 Minutes and 30 Seconds |
| 4. 2 Minutes                | 10. 5 Minutes               |
| 5. 2 Minutes and 30 Seconds | 11. 10 Seconds for testing  |
| 6. 3 Minutes                | 12. 0                       |



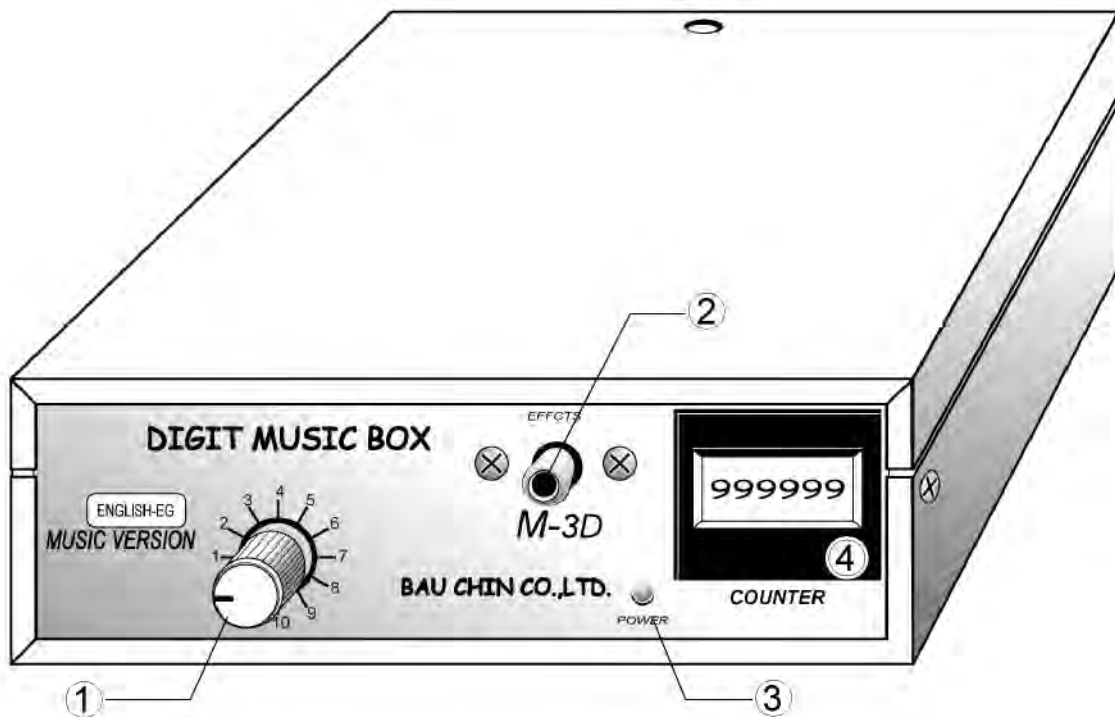
front view

side view

back view

FC-M0003 Music Box

**Music Box Operating Manual**

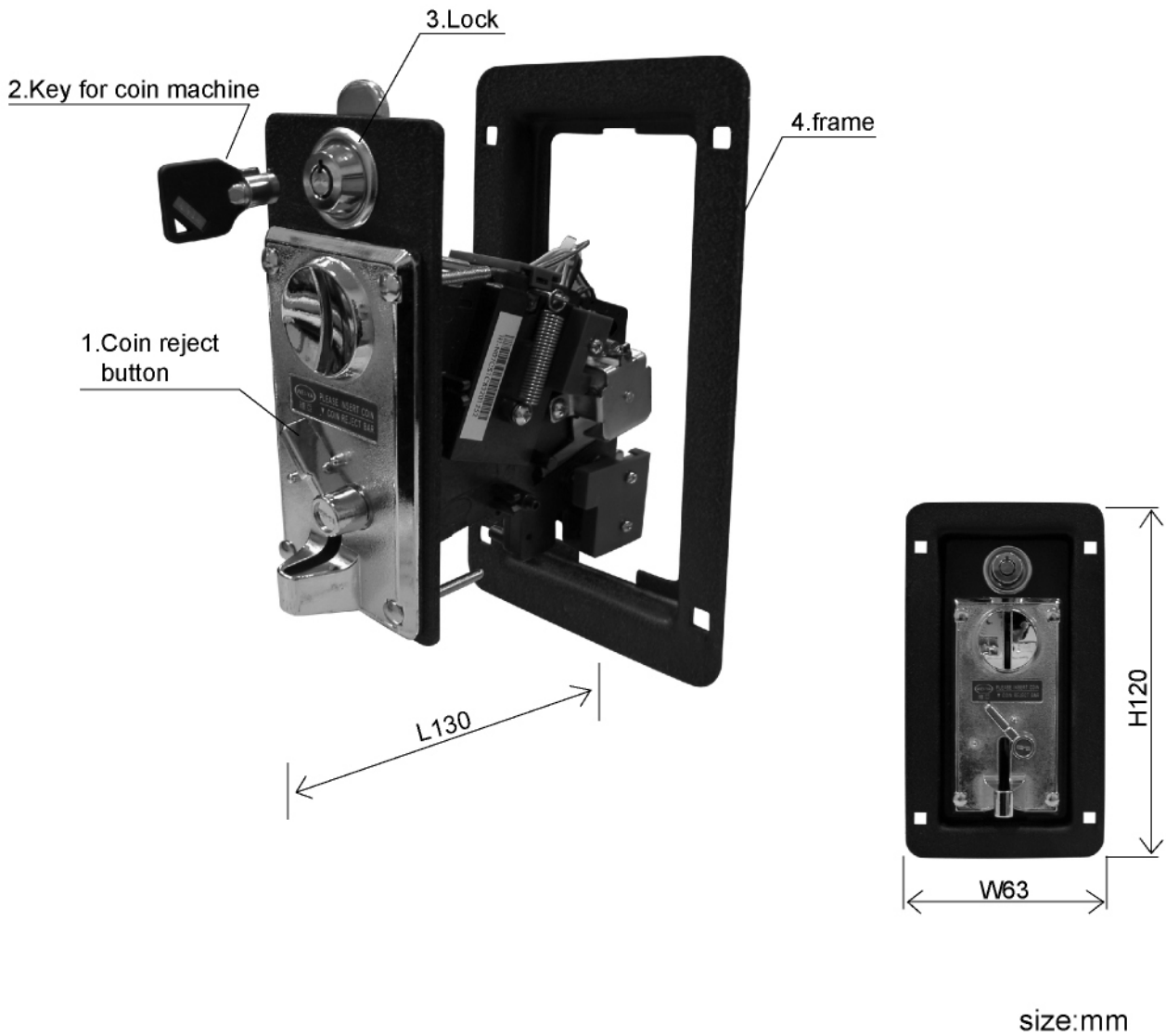


1. **1-12:** Sound volumes adjust
2. **Sound bottom connection**
3. **Power light:** When power connect
4. **Counter:** Coin Counter
5. **Music:** 12 English kiddy songs to repeat



FC-P0026 Electronic Coin Machine

**Electronic Coin Machine Operating Manual**



FC-P0026 Electronic Coin Machine

**Electronic Coin Machine Operating Manual**

**DIDGITAL COMPARABLE ELECTRONIC**

INSTALLATION HI-07CS+LED

**STEP1**

Cheng the right coin for use from the clamp.

**STEP2**

Adjust the right insert size for use from the front panel back side.

**STEP3**

Select the right mode: Normal Open/ Normal Close" TIMER SWITCH" for synchronizing your system.

100ms (Slow Speed/ Long Pulse)

50ms (Medium Speed/ Medium Pulse)

30ms (Fast Speed/ Short Pulse)

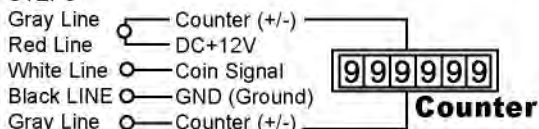
**STEP4**

Adjust VR sensivity tuning

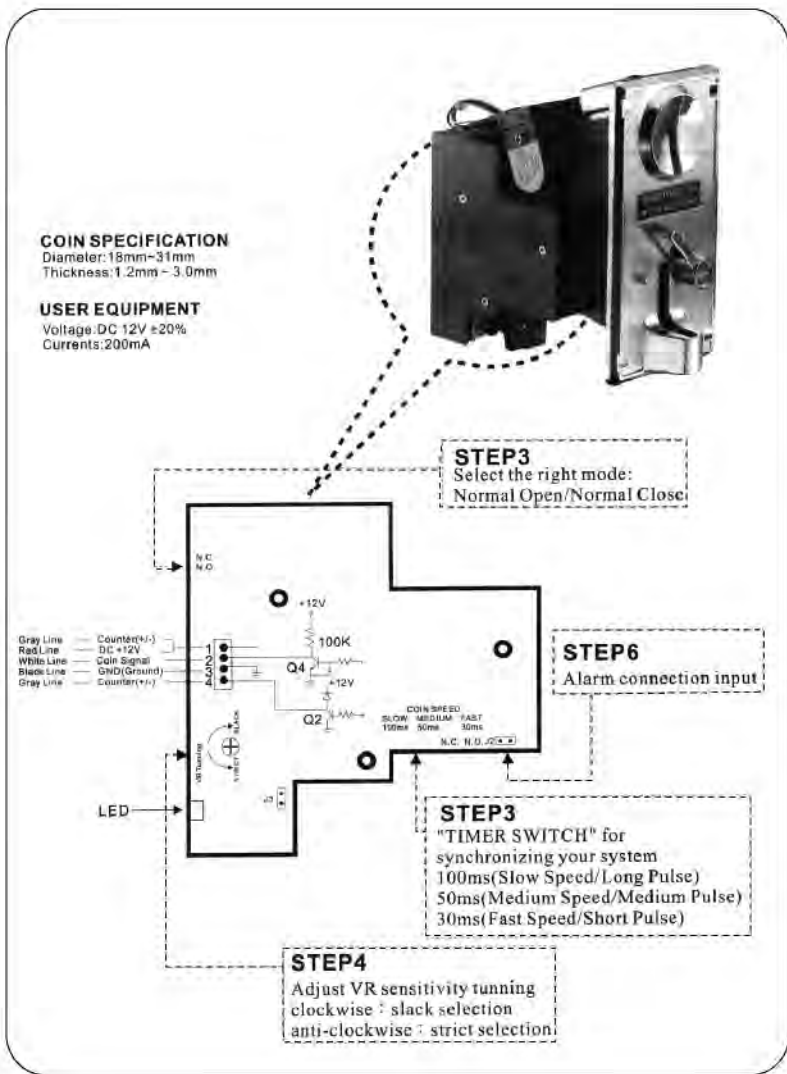
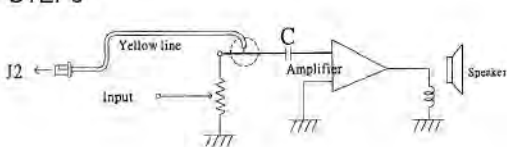
Clockwise: slack selection (LED dark->light)

Anti-clockwise: strict selection (LED light->dark)

**STEP5**

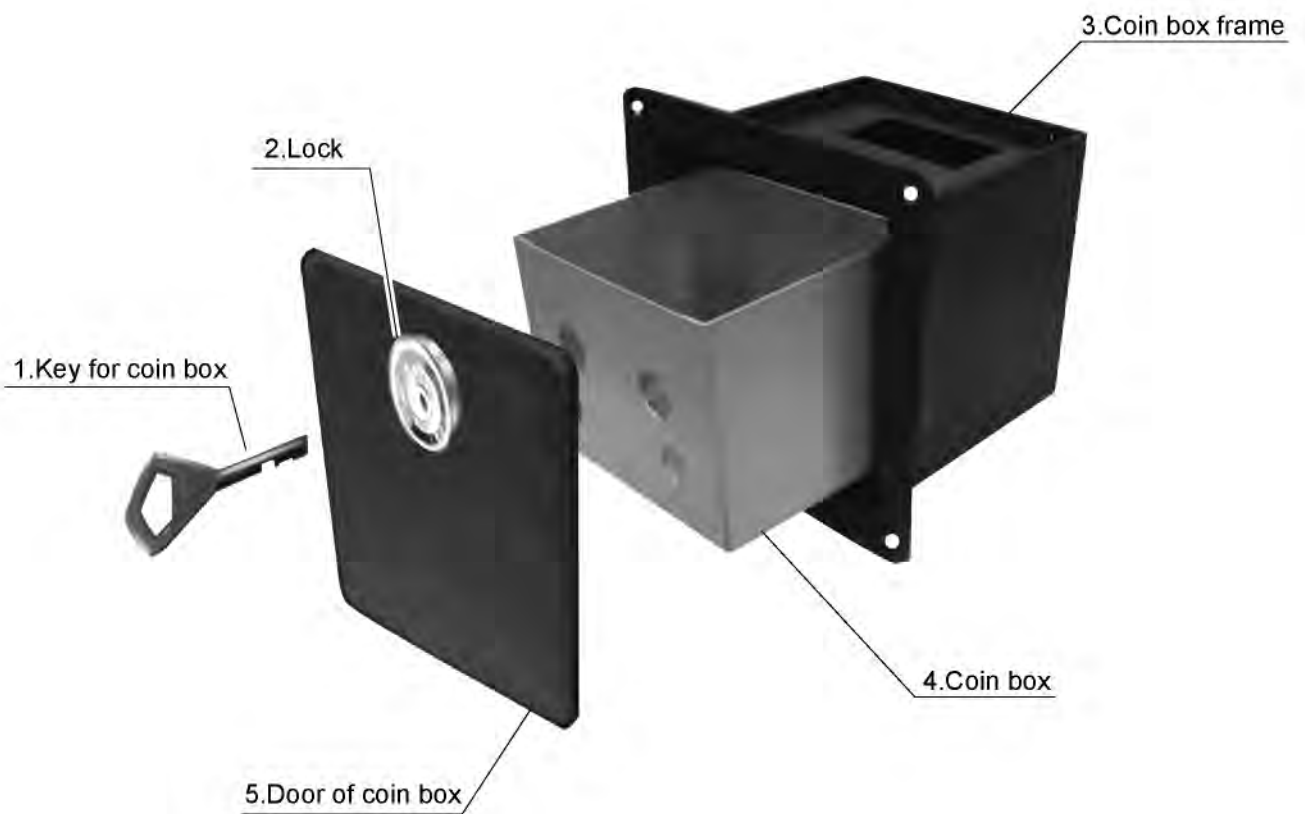


**STEP6**



FC-P0007 Coin Box

**Coin Box Manual**

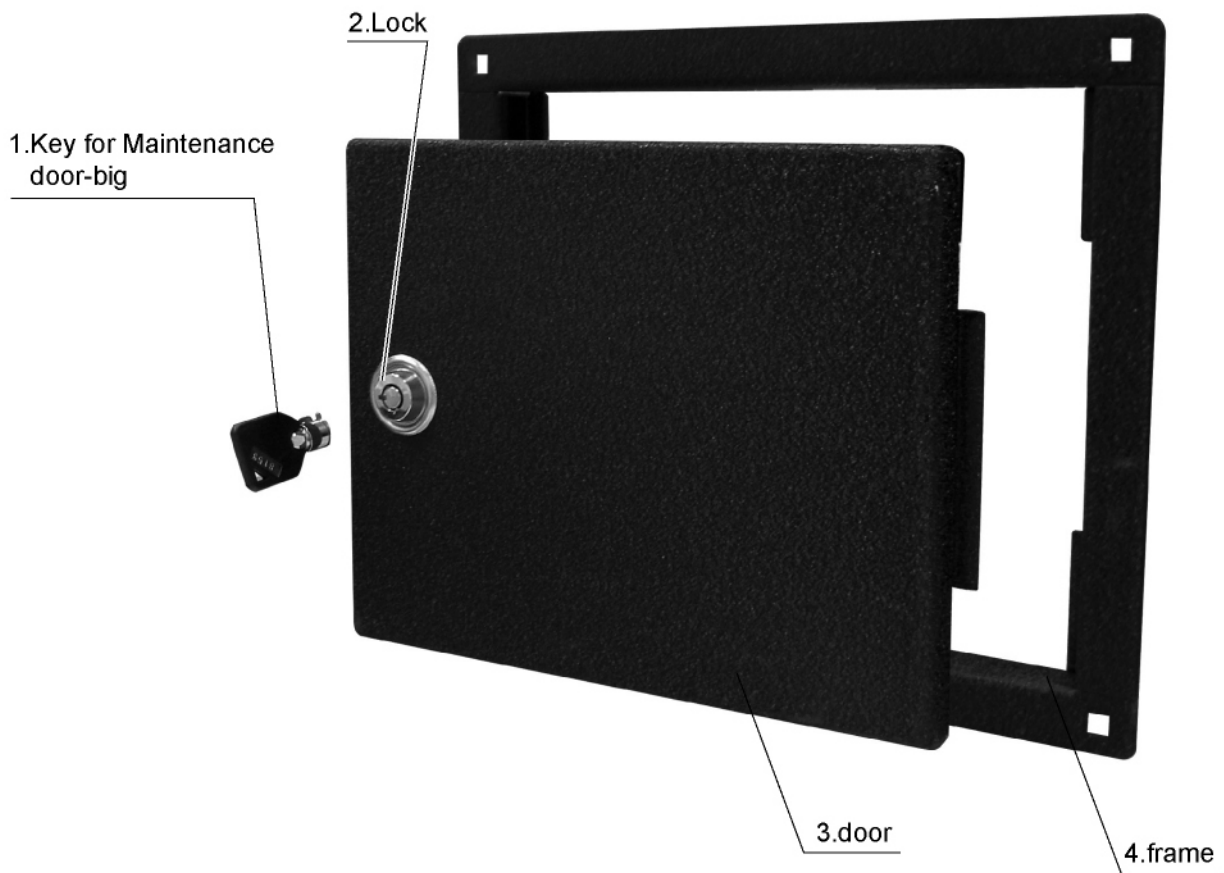


size: W175mm x L145mm x H175mm



FC-P0029 Maintenance Door-Big

**Maintenance Door-Big Manual**



size: W267mm x L20mm x H232mm

## Part list - Little Ladybird FRP Model Assembly

**Item not illustrated**

| <b>Item No</b> | <b>Part No</b> | <b>Description</b>                 | <b>QTY</b> |
|----------------|----------------|------------------------------------|------------|
| -              | FM-001         | Little Ladybird FRP Model          |            |
| 1              | FC-P0041       | Light#7                            | 2          |
| 2              | FC-P0015       | Steering wheel#1                   | 2          |
| 3              | FC-P0006       | Electronic coin machine            | 1          |
| 4              | FC-P0007       | Coin box                           | 1          |
| 5              | FC-S0026       | Little Ladybird FRP                | 1          |
| 6              | FC-P0042       | Light#8                            | 14         |
| 7              | FC-P0029       | Maintenance door-big               | 1          |
| 8              | FC-P0001       | Double frame                       | 1          |
| 9              | FC-M0003       | Music box                          | 1          |
| 10             | FC-P0003       | Controller                         | 1          |
| 11             | FC-P0044       | LED light PCB                      | 1          |
| 12             | FC-P0043       | Light#9                            | 2          |
| 13             | FC-P0032       | Power-plug locates at rear of base | 1          |
| 14             | FC-S0027       | Base of garden shape               | 1          |
| 15             | FC-P0025       | Wheel                              | 4          |
| 16             | FC-P0024       | Fixer                              | 4          |
| 17             | FC-P0045       | Ladder#3                           | 2          |
| 18             | FC-P0046       | Handlebar#3                        | 2          |
| 19             | FC-P0027       | Key#1                              | 1          |
| 20             | FC-P0028       | Key#2                              | 1          |
| s1             | FC-ST001       | Warning sign sticker               | 2          |
| s2             | FC-ST013       | Sticker(Little Ladybird)           | 1          |