



## FC-091 Fantasy Coffee Cup



### Specification

**Dimension** L170 x W170 x H170 cm

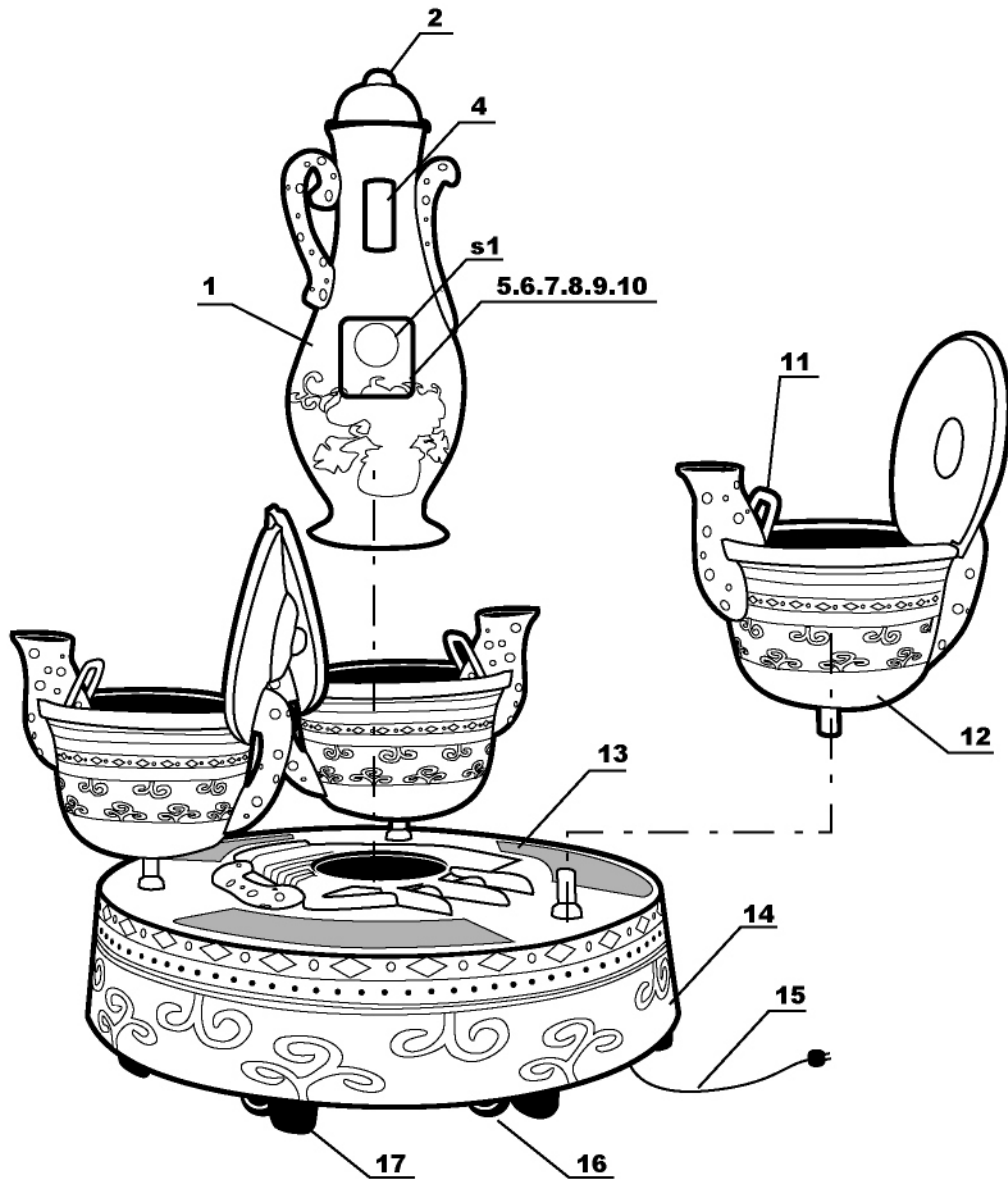
**Weight** 160 kgs

**Voltage** 110V AC, 60Hz, 3A, Max 6A  
220V AC, 50Hz, 3A, Max 6A



Fantasy Coffee Cup Model Assembly

**Fantasy Coffee Cup Detail Manual**



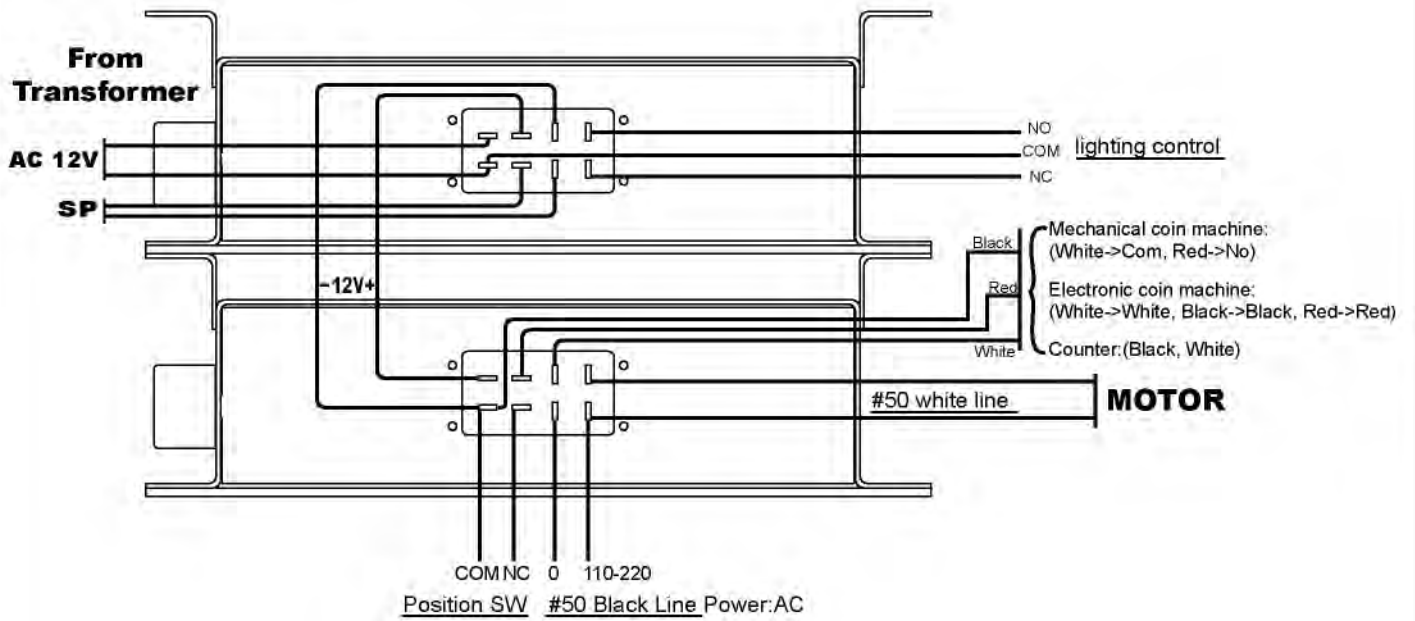
- 1. Coffeepot FRP
- 2. Light#2
- 3. Electronic coin machine(key#1)
- 4. Control door(key#1)
- 5. Coin box(key#2)
- 6. Double frame
- 7. Music box
- 8. Controller
- 9. Speaker

- 10. Handlebar#2
- 11. Cup FRP
- 12. Skidproof mat
- 13. FRP base
- 14. Power-plug locates at rear of base
- 15. Wheel
- 16. Fixer

s1. FYC Sticker

FC-P0001 Double Frame

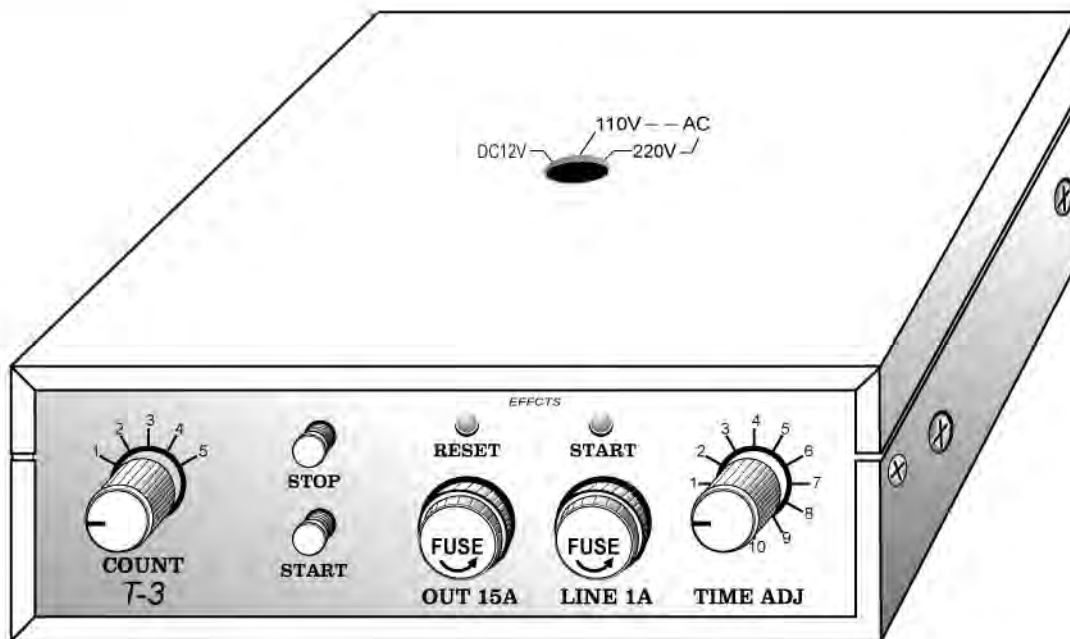
**Double Frame Wire Manual**



size: W188mm x L78mm x H113mm

FC-P0003 Controller

**Controller Operating Manual**



**Count:** Adjust the coin from 1 coin to 5 coins

**Stop Button:** For Checking machine without insert coin to "STOP" the machine

**Start Button:** For Checking machine without insert coin to "START" the machine

**Reset:** Red lighting when power connect

**Start:** Green lighting when machine start to working

**1~12 play Time adjust:**

- |                             |                             |
|-----------------------------|-----------------------------|
| 1. 1 Minute and 30 Seconds  | 7. 3 Minutes and 30 Seconds |
| 2. 1 Minute and 40 Seconds  | 8. 4 Minutes                |
| 3. 1 Minute and 50 Seconds  | 9. 4 Minutes and 30 Seconds |
| 4. 2 Minutes                | 10. 5 Minutes               |
| 5. 2 Minutes and 30 Seconds | 11. 10 Seconds for testing  |
| 6. 3 Minutes                | 12. 0                       |



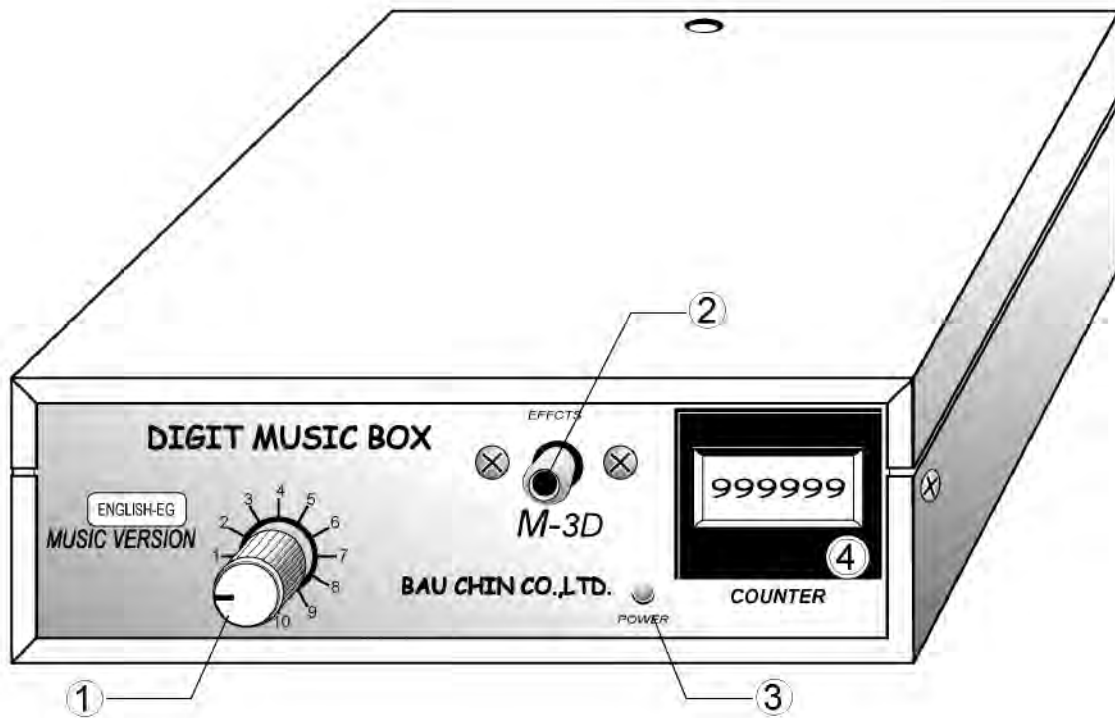
front view

side view

back view

FC-M0003 Music Box

**Music Box Operating Manual**



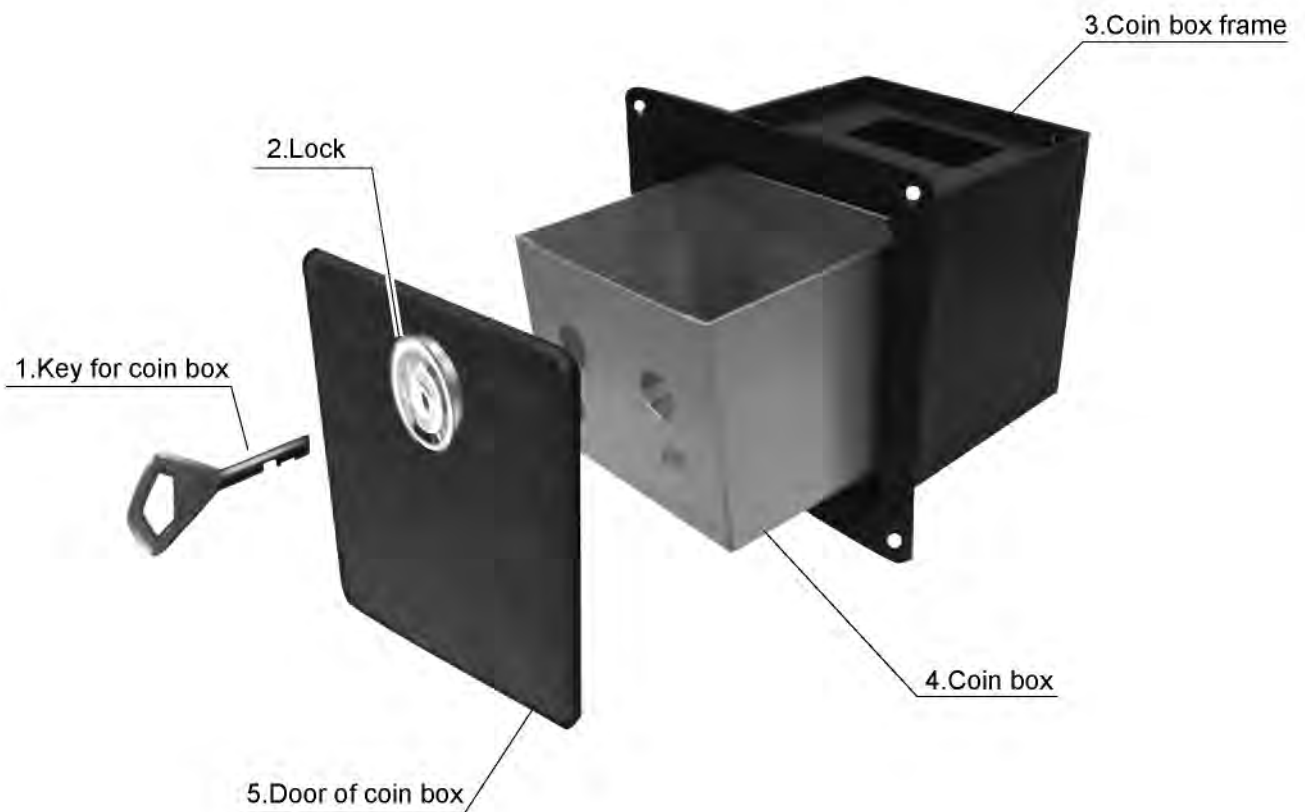
- 1. **1-12:** Sound volumes adjust
- 2. **Sound button connection**
- 3. **Power light:** When power connect
- 4. **Counter:** Coin Counter
- 5. **Music:** 12 English kiddy songs to repeat





FC-P0007 Coin Box

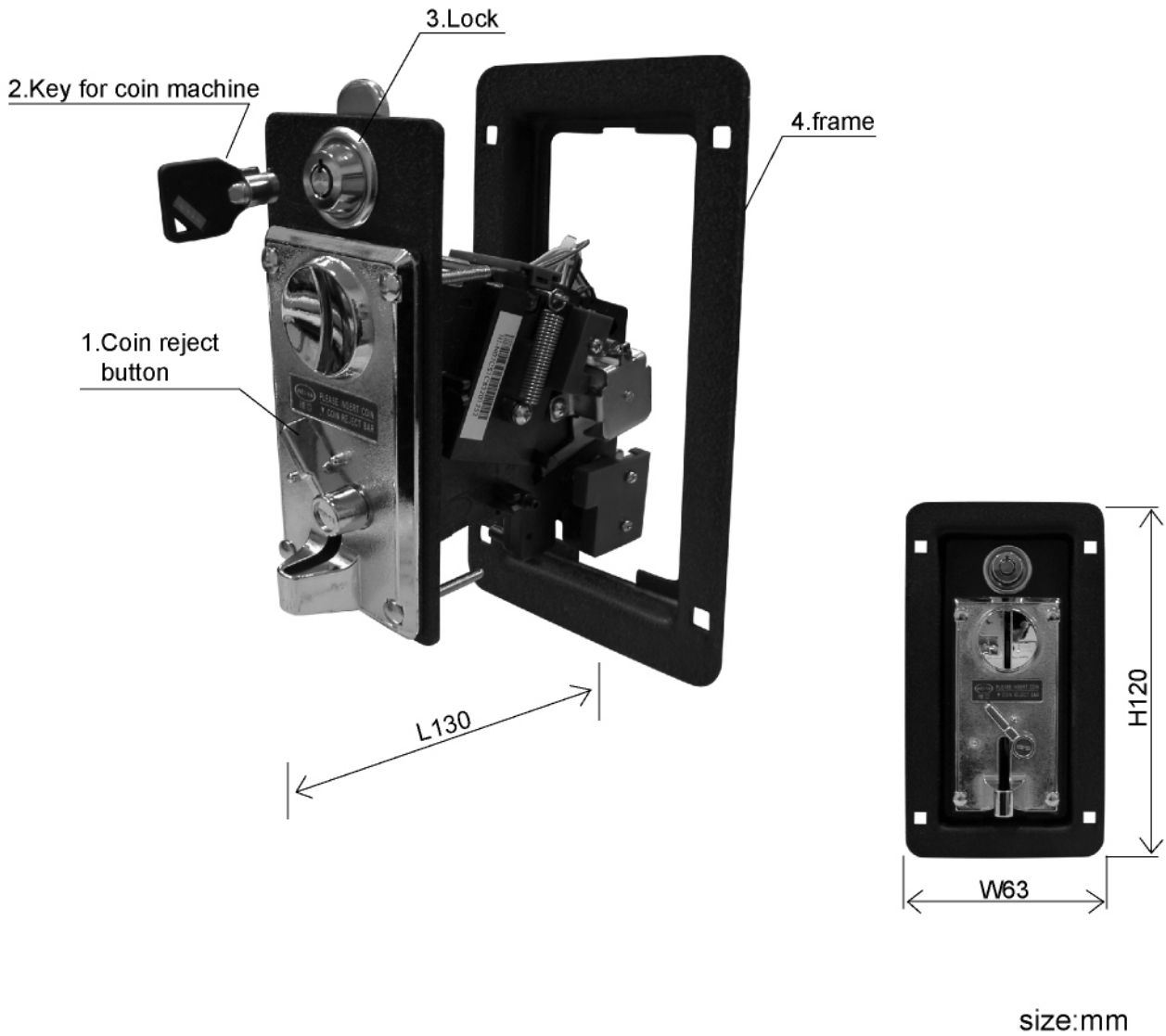
**Coin Box Manual**



size: W175mm x L145mm x H175mm

FC-P0026 Electronic Coin Machine

**Electronic Coin Machine Operating Manual**



FC-P0026 Electronic Coin Machine

**Electronic Coin Machine Operating Manual**

**DIDGITAL COMPARABLE ELECTRONIC**

INSTALLATION HI-07CS+LED

**STEP1**

Cheng the right coin for use from the clamp.

**STEP2**

Adjust the right insert size for use from the front panel back side.

**STEP3**

Select the right mode: Normal Open/ Normal Close" **TIMER SWITCH"** for synchronizing your system.

100ms (Slow Speed/ Long Pulse)

50ms (Medium Speed/ Medium Pulse)

30ms (Fast Speed/ Short Pulse)

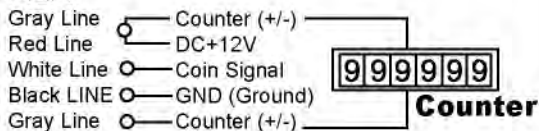
**STEP4**

Adjust VR sensitivity tuning

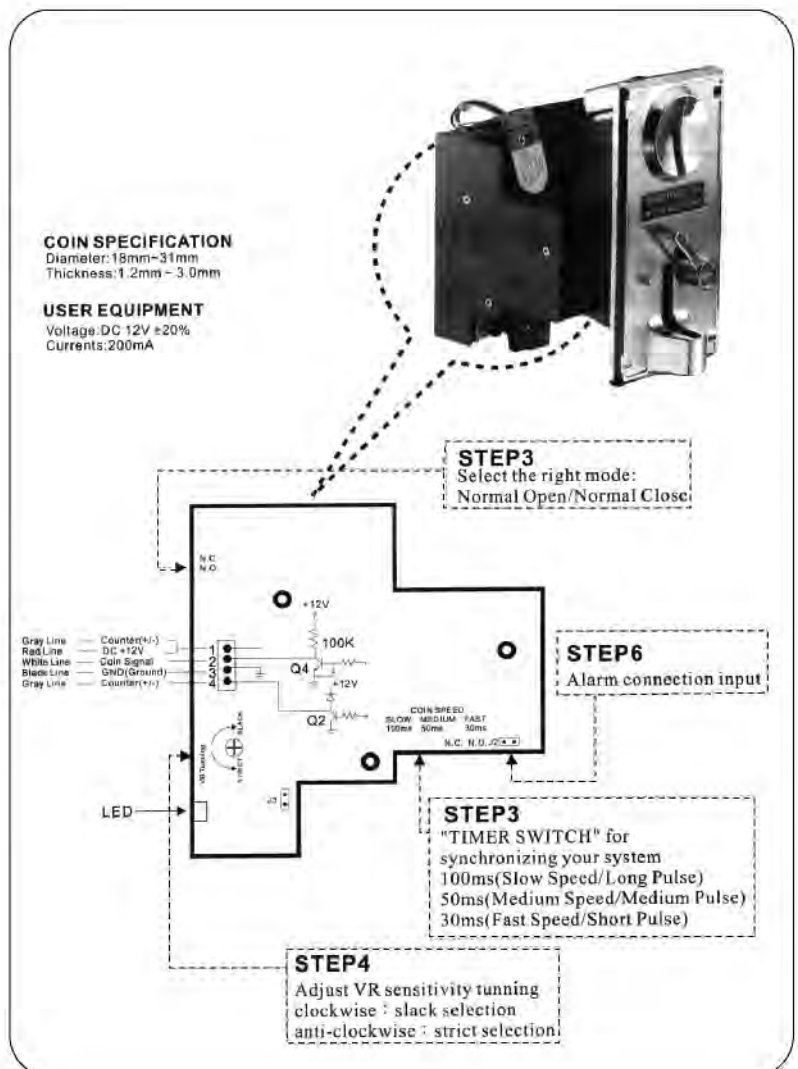
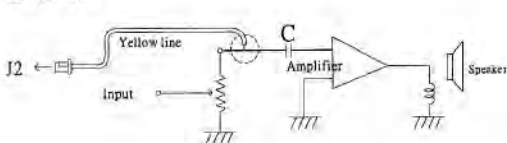
Clockwise: slack selection (LED dark->light)

Anti-clockwise: strict selection (LED light->dark)

**STEP5**



**STEP6**





## Part list - Fantasy Coffee Cup FRP Model Assembly

**Item not illustrated**

<b>Item No</b>	<b>Part No</b>	<b>Description</b>	<b>QTY</b>
-	FC-091	Fantasy Coffee Cup FRP Model	
1	FC-S0019	Coffeepot FRP	1
2	FC-P0021	Light#2	3
3	FC-P0026	Electronic coin machine	1
4	FC-S0019	Control door	1
5	FC-P0007	Coin box	1
6	FC-P0001	Double frame	1
7	FC-M0003	Music box	1
8	FC-P0003	Controller	1
9	FC-P0004	Speaker	1
10	FC-P0036	Handlebar#2	1
11	FC-S0020	Cup FRP	3
12	FC-P0037	Skidproof mat	3
13	FC-S0021	FRP base	1
14	FC-P0032	Power-plug locates at rear of base	1
15	FC-P0025	Wheel	3
16	FC-P0024	Fixer	3
17	FC-P0027	Key#1	1
18	FC-P0028	Key#2	1
s1	FC-ST007	FYC Sticker	3