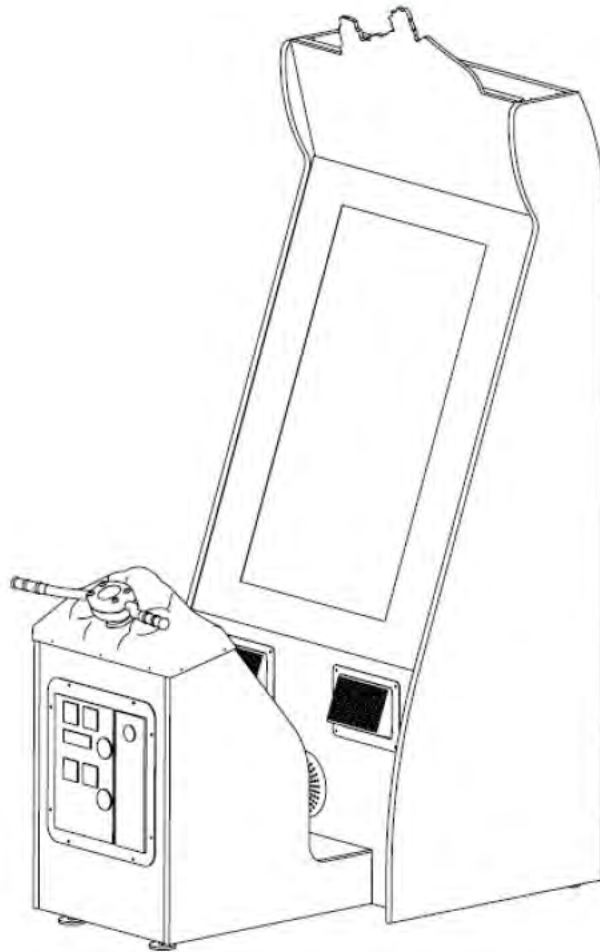


LANE SPLITTER



Lane Splitter Extreme

Operation & Service Manual

Version 1.1

*** Read this manual before use**



ADRENALINE
adgames.com

Table of Contents

Contents

General Remark	2
Table of Contents	3
Chapter 01 - Preface	5
Precaution for Game Operation.....	5
Safety.....	6
Environmental Conditions.....	6
Chapter 02 - Game Features	7
How to Play	7
Power Ups	7
Chapter 03 - Unit Features	8
Hardware Features.....	8
Cabinet Facts	8
Voltage	8
Chapter 04 - Unit Installation	9
Assembling your Lane Splitter Extreme Unit	9
Chapter 05 - Admin Menu & Game Setup	10
The Admin Menu.....	10
Calibrate Handlebars Screen.....	12
Test Handlebars Screen	13
Ticket Redemption – Off	13
Ticket Redemption – Normal	14
Ticket Redemption – Fixed.....	15
Stats Screen.....	16
Chapter 06 - Service & Repair	17
Computer Connections, # LS-11-1001	17

Lane Splitter Extreme Manual V1.1

Amplifier Model A Connections, #ADR-AMCA-2550I..... 18

Amplifier Model B Connections, # ADR-310-308..... 19

Adrio SM I/O Board Connections, # LS-04-1001 20

Troubleshooting 21

 Video Troubleshooting..... 21

 Audio Troubleshooting 22

 Error Message Screens..... 22

 General Troubleshooting 22

Chapter 07 - Parts 24

 Main Box Parts 24

 Console Parts..... 25

 Inside Parts 26

 Decals 27

 HAPP Controls 28

 Wiring Harness 29



Chapter 01 - Preface

Please read this page before preparing your Lane Splitter Extreme product for game play.

The following safety instructions apply to all game operators and service personnel. Specific warnings and cautions will be included throughout this manual.

Use the following safety guidelines to help protect the system from potential damage and to ensure your personal safety:

- Electronic components in the game cabinet run on 115V AC 60Hz (220V/ 50Hz in most of Europe, the Middle East and the Far East delivered units).
- To help prevent electric shock, plug the system into a properly grounded power source. These cables are equipped with 3-prong plugs to help ensure proper grounding. Do not use adapter plugs or remove the grounding prong from a cable. If you must use an extension cable, use a 3-wire cable with properly grounded plugs.
- To help protect your system from sudden increases and decreases in electrical power, use a surge suppressor, line conditioner or Uninterruptible Power Supply (UPS).
- Be sure nothing rests on the system's cables and that the cables are not located where they can be stepped on or tripped over.
- Keep your system far away from radiators and other heat sources.
- Do not block cooling vents.

Precaution for Game Operation

Adrenaline Amusements Inc. assumes no liability for injuries incurred while playing our games.

Operators should be aware that certain health and physical conditions may make people susceptible to injury when playing video games.

Safety



To avoid electrical shock, unplug the cabinet before performing installation or service procedures.

If a power cord is damaged, it must be replaced by the equivalent power cord available from your distributor.



Adrenaline Amusement Inc. assumes no liability for any damages or injuries incurred while setting up or servicing the cabinet. Only qualified service personnel should perform installation or service procedures.

Environmental Conditions

Cabinet is intended for indoor use only. Be sure to keep the cabinet dry and maintain operating temperatures of 59° - 86° (15° - 30°C).

Chapter 02 - Game Features




Ride your motorcycle at insane speeds through ever changing traffic. Your reflexes will mean the difference between surviving or crashing in a spectacular fashion. Do you have what it takes to reach TOP SPEED?

Introducing Jake Melton, Jake has made a lot of mistakes in his life, but missing his wedding won't be one of them.

How to Play

- Use the handlebars to steer left and right.
- Stay away from cars, trucks and walls.
- Push the button to wheelie and gain bonus points.
- Pick up "Lane Splitter" bonuses by navigating your way in between cars.
- Pick up awesome items and power-ups by ramming into them.
- Hang on for dear life!

Power Ups

 <p>(Star)</p>	Picking up a star will start "Coin Chaos" mode. For a few seconds, tons of coins will appear for your greedy pleasure.
 <p>(Magnet)</p>	Picking up a magnet will turn you into a literal coin magnet! For a limited time, coins will fly right onto you.
 <p>(Diamond)</p>	Picking up a diamond will multiply your final coin total. Try collecting them as much as you can.

Chapter 03 - Unit Features

Hardware Features

- 42 Inch monitor
- Stand-up motorbike steering controls
- Boost button
- Ticket dispenser

Cabinet Facts

Cabinet Dimensions

Length = 34" / 0.865m Depth = 52" / 1.321m Height = 84" / 2.13m

The image contains three technical line drawings of the cabinet. The front view on the left shows a tall, rectangular cabinet with a decorative top and a control panel at the bottom. The side view on the right shows the cabinet's profile, including a curved top section and a base. The top view at the top right shows the cabinet's footprint. Dimensions are provided for length, depth, and height.

Shipping Dimensions

Length = 38" / 0.965m Depth = 56" / 1.42m Height = 84" / 2.13m
Weight = 390 lbs. / 177 kg

The image contains a table of shipping dimensions. The table has three columns for Length, Depth, and Height, and one row for Weight. The dimensions are provided in both inches and meters.

Voltage

Voltage	Operating
115V AC	4 AMP
220V AC	2 AMP

Chapter 04 - Unit Installation

Assembling your Lane Splitter Extreme Unit

1. Carefully remove the Cabinet from the shipping container, giving yourself enough space.
2. Move the cabinet to the desired location.
3. Lane Splitter Extreme cabinets are shipped in 2 parts, slide the top part in. (See fig. 1)
Watch out for the top part's power cord, make sure to insert it in the appropriate hole, on the top-right of the unit, before sliding the top part in.
4. Open the back of the unit and plug in the top part in the appropriate outlet, situated on the left side of the unit.
5. Locate the power cord and insert the power cord into the bottom of the unit to power it from a floor outlet.

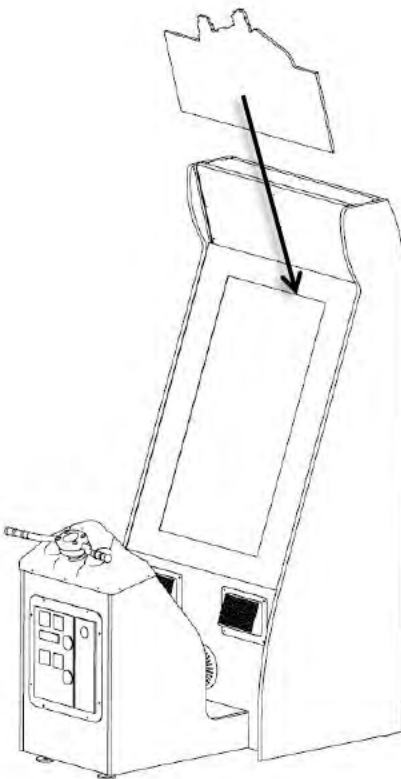


Fig. 1

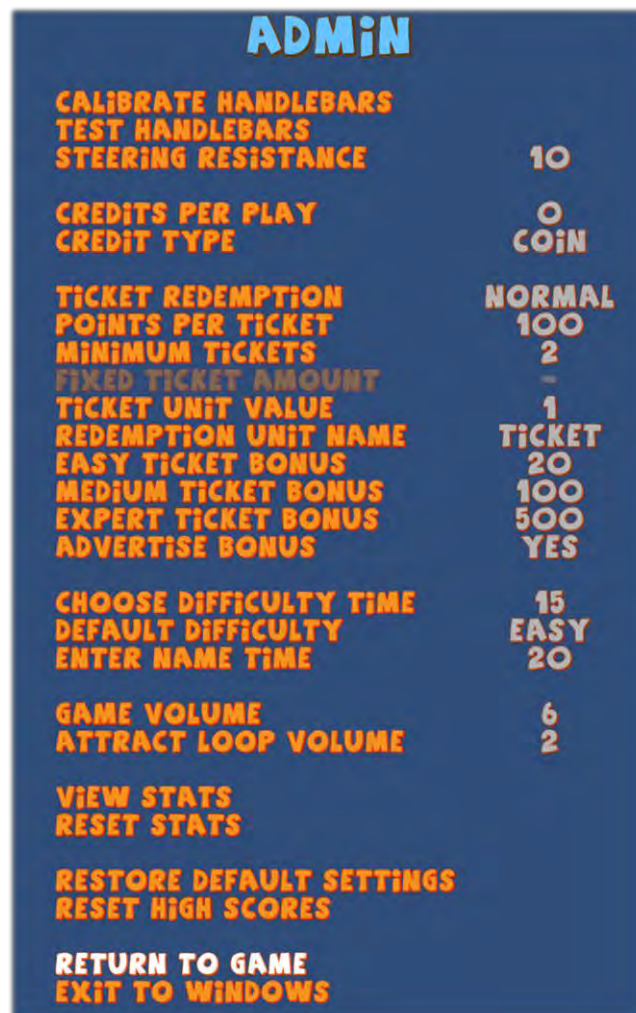
Chapter 05 - Admin Menu & Game Setup

This chapter describes how to use and navigate the Admin Menu to set up your product and adjust all of the game's parameters.

The Admin Menu

To access the Admin Menu, use the Admin Button located inside the coin door or plug in a USB keyboard and press the "A" key. This screen will then appear.

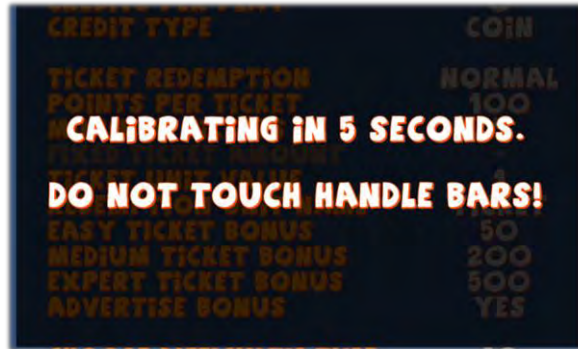
To navigate the menu, use the handlebars / keyboard arrows to change the active line, highlighted in white. Turning left will move up and turning right will go down. Pressing the boost button / "Enter" key will interact with the active line, looping through the available options.



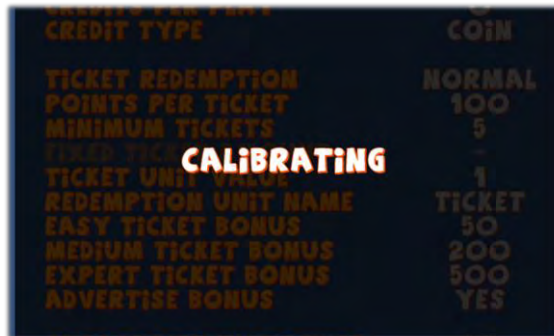
Lane Splitter Extreme Manual V1.1
Chapter 05 - Admin Menu & Game Setup

Operator Menu	Values	What it does
Calibrate Handlebars	N/A	Automatically calibrates the handlebars. Do not touch the handlebars during the calibration process.
Test Handlebars	N/A	Opens the "Test Handlebars" screen which will automatically close if the handlebars are not moved for a few seconds.
Steering Resistance	0 - 10	Adjusts the resistance of the handlebars. "0" will completely remove resistance.
Credits per Play	0 - 9	Adjusts the number of credits required to play. "0" puts the unit in free play mode.
Credit Type	Coin / Card	Changes the credit type between "Coin" and "Card". This will change the in-game text accordingly.
Ticket Redemption	Off / Normal / Fixed	Changes the ticket redemption mode between "Off", "Normal" and "Fixed". Jump to page 14 for more details on redemption options.
Choose Difficulty Time	10 - 30	Adjusts the timer for the "Choose your Difficulty" screen, in seconds.
Default Difficulty	Easy / Medium / Expert	Sets the default difficulty when entering the "Choose your Difficulty" screen to "Easy", "Medium" or "Expert".
Enter Name Time	15 - 60	Adjusts the timer for the "Enter your Name" screen, in seconds.
Game Volume	1 - 10	Adjusts the in-game audio volume.
Attract Loop Volume	1 - 10	Adjusts the audio volume of the attract loop.
View Stats	N/A	Open the stats screen.
Reset Stats	N/A	Clears all the stats screen's values.
Restore Default Settings	N/A	Restores the unit to default settings.
Reset High Scores	N/A	Resets the high scores.
Return to Game	N/A	Exits the Admin Menu and returns to the game.
Exit to Windows	N/A	Exits the game and returns to the Windows desktop.

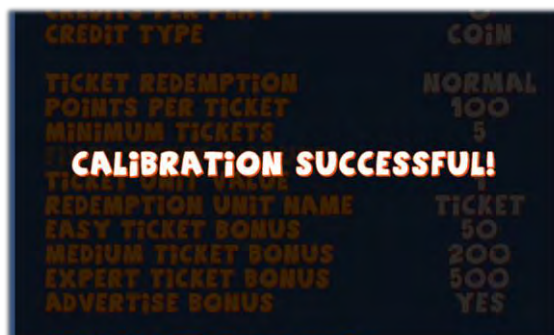
Calibrate Handlebars Screen



This screen shows that the calibration process will begin in five seconds. It's important to do as instructed and to not touch the handlebars during this process.

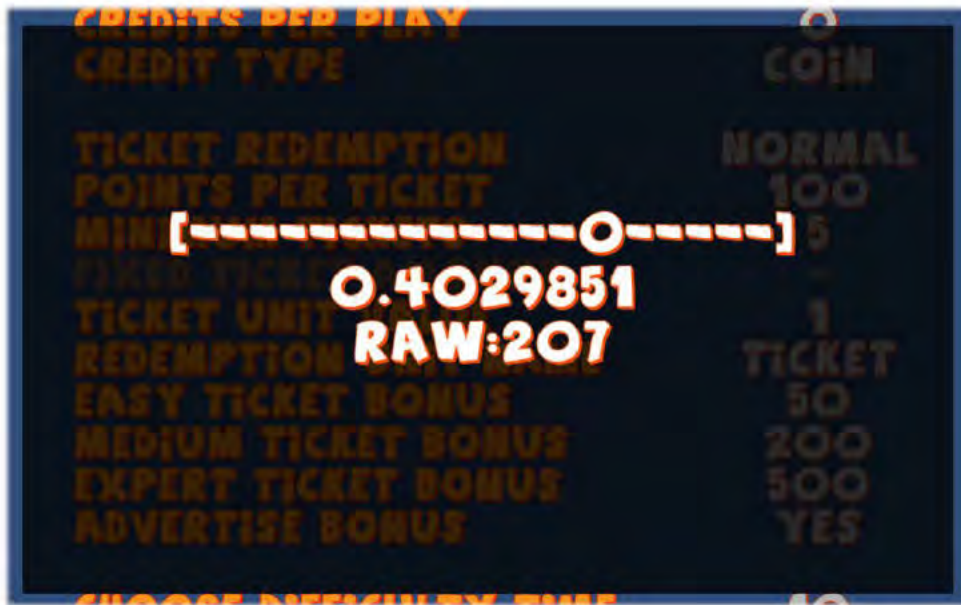


It's during this screen that the calibration process will be executed. The handlebars will move during this process so take caution.



This screen shows that the calibration process is successful. This screen will disappear after a few seconds.

Test Handlebars Screen



In this screen, the circle shows the handlebars current orientation. The numbers right under show the handlebars orientation in a numerical way, from -1, left, to 1, right.

Ticket Redemption - Off



In this mode, no options are available since no tickets are dispensed.

Ticket Redemption – Normal

TICKET REDEMPTION	NORMAL
POINTS PER TICKET	100
MINIMUM TICKETS	5
FIXED TICKET AMOUNT	-
TICKET UNIT VALUE	1
REDEMPTION UNIT NAME	TICKET
EASY TICKET BONUS	0
MEDIUM TICKET BONUS	30
EXPERT TICKET BONUS	100
ADVERTISE BONUS	YES

Operator Menu	Values	What it does
Points per Ticket	50 – 500	Adjusts how many points are needed per ticket. Example: If “Points per Ticket” is set to 200 and the final score is 1000, 5 tickets will be dispensed.
Minimum Tickets	0 – 20	Adjusts the minimum amount of tickets dispensed, regardless of score.
Ticket Unit Value	1 / 2	Adjusts the value of physical tickets. Physical tickets are either worth “1” ticket or “2” tickets.
Redemption Unit Name	Ticket / Coupon	Changes the redemption unit type between “Ticket” and “Coupon”. This will change the in-game text accordingly.
Easy Ticket Bonus	0 – 500	Adjusts the ticket bonus when winning the game on “Easy” difficulty.
Medium Ticket Bonus	0 – 500	Adjusts the ticket bonus when winning the game on “Medium” difficulty.
Expert Ticket Bonus	0 – 500	Adjusts the ticket bonus when winning the game on “Expert” difficulty.
Advertise Bonus	Yes / No	Adjusts whether or not the ticket bonuses are advertised during the attract loop.

Ticket Redemption – Fixed

TICKET REDEMPTION	FIXED
POINTS PER TICKET	-
MINIMUM TICKETS	-
FIXED TICKET AMOUNT	25
TICKET UNIT VALUE	1
REDEMPTION UNIT NAME	TICKET
EASY TICKET BONUS	-
MEDIUM TICKET BONUS	-
EXPERT TICKET BONUS	-
ADVERTISE BONUS	-

Operator Menu	Values	What it does
Fixed Ticket Amount	0 - 50	Adjusts the number of tickets dispensed per play.
Ticket Unit Value	1 / 2	Adjusts the value of physical tickets. Physical tickets are either worth "1" ticket or "2" tickets.
Redemption Unit Name	Ticket / Coupon	Changes the redemption unit type between "Ticket" and "Coupon". This will change the in-game text accordingly.

Lane Splitter Extreme Manual V1.1
Chapter 05 - Admin Menu & Game Setup

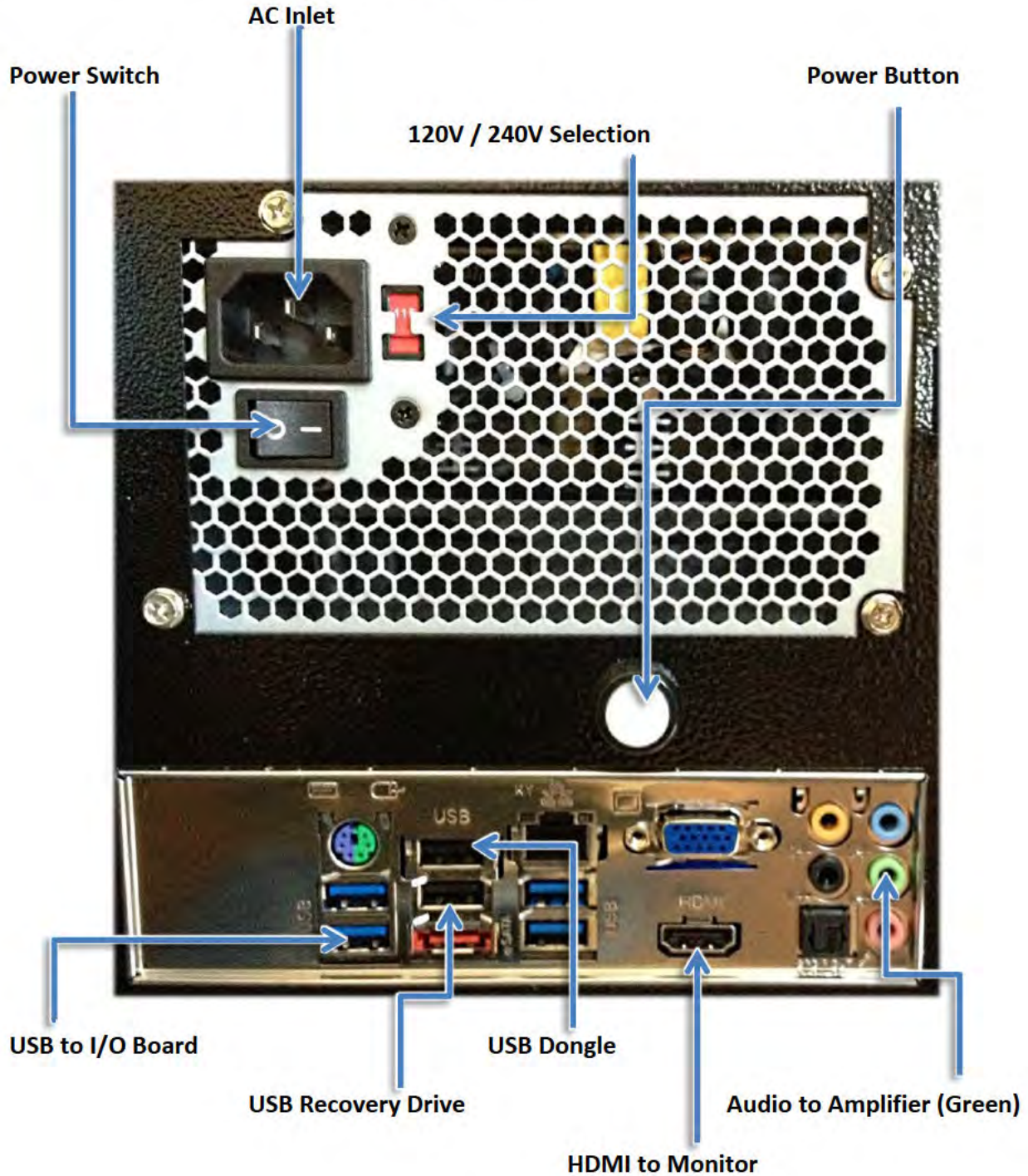
Stats Screen



Operator Menu	What it does
Bonus Tickets Dispensed	Show the total number of bonus tickets dispensed in this difficulty / total.
Total Tickets Dispensed	Show the total number of tickets dispensed in this difficulty / total.
AVG Tickets Dispensed	Shows the average number of tickets dispensed, per game, in this difficulty / total.
Games Played	Shows the number of games played in this difficulty / total.
Games Won	Shows the number of games won in this difficulty / total.
AVG Play Time	Shows the average play time, per game, in this difficulty / total.
Total Play Time	Show the total play time of this difficulty / total.
Return to Admin Screen	Returns to the Admin Menu.

Chapter 06 - Service & Repair

Computer Connections, # LS-11-1001

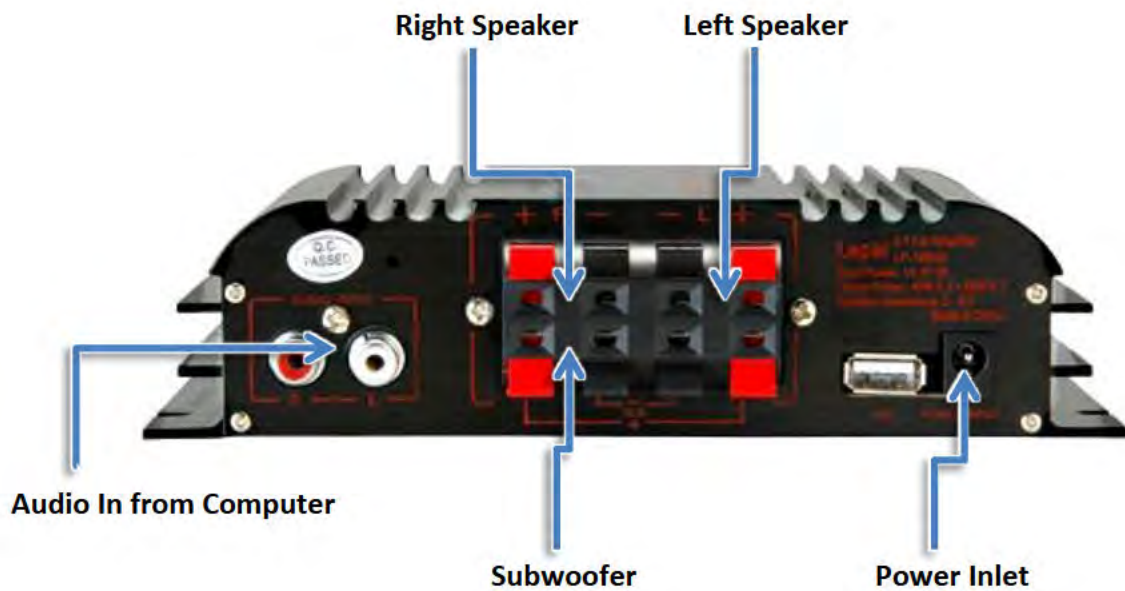


Lane Splitter Extreme Manual V1.1
Chapter 06 – Service & Repair

Amplifier Model A Connections, #ADR-AMCA-2550I

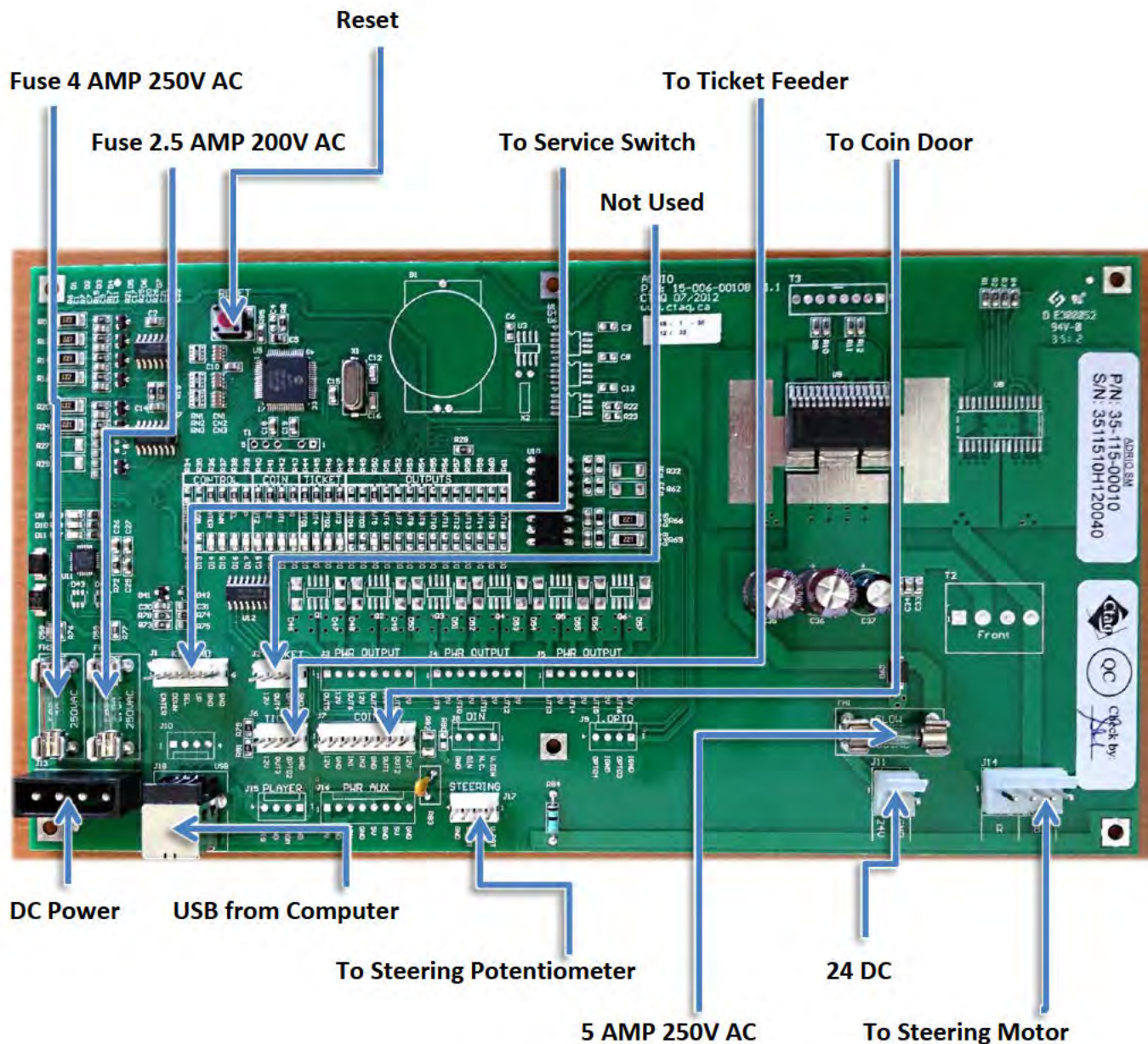


Amplifier Model B Connections, # ADR-310-308



Lane Splitter Extreme Manual V1.1
Chapter 06 – Service & Repair

Adrio SM I/O Board Connections, # LS-04-1001



Troubleshooting

Video Troubleshooting	
No picture and no audio	Power problem, check the power to the monitor.
	There are loose or faulty connections between the monitor and the computer. Make sure the HDMI cable is connected properly to both the computer and the LCD monitor (In the rightmost HDMI port).
	<p>No power to computer.</p> <ul style="list-style-type: none"> - Verify the computer is ON. - Remove computer bottom cover and press the RED or WHITE power button. - Make sure that the power plug is well connected.
	<p>The Bios settings have changed, If the computer does not power automatically when the unit is powered on, follow these steps:</p> <ul style="list-style-type: none"> • Remove computer bottom cover and plug a USB keyboard in one of the remaining USB ports. • Press and hold the “Delete” key on the keyboard and then turn the computer on. Keep holding the “Delete” key until the Bios screen appears. • Using the arrows, select the “Advanced” tab. • Using the arrows, scroll down to the ACPI Configuration option and press the “Enter” key. • Using the arrows, scroll down to the Restore on AC/Power Loss option and press the “Enter” key. • Using the arrows, select the Power On option and press the “Enter” key. • Press the “F10” key then the “Enter” key to exit the Bios screen. • Unplug the keyboard and put the bottom cover back on.

Lane Splitter Extreme Manual V1.1
Chapter 06 – Service & Repair

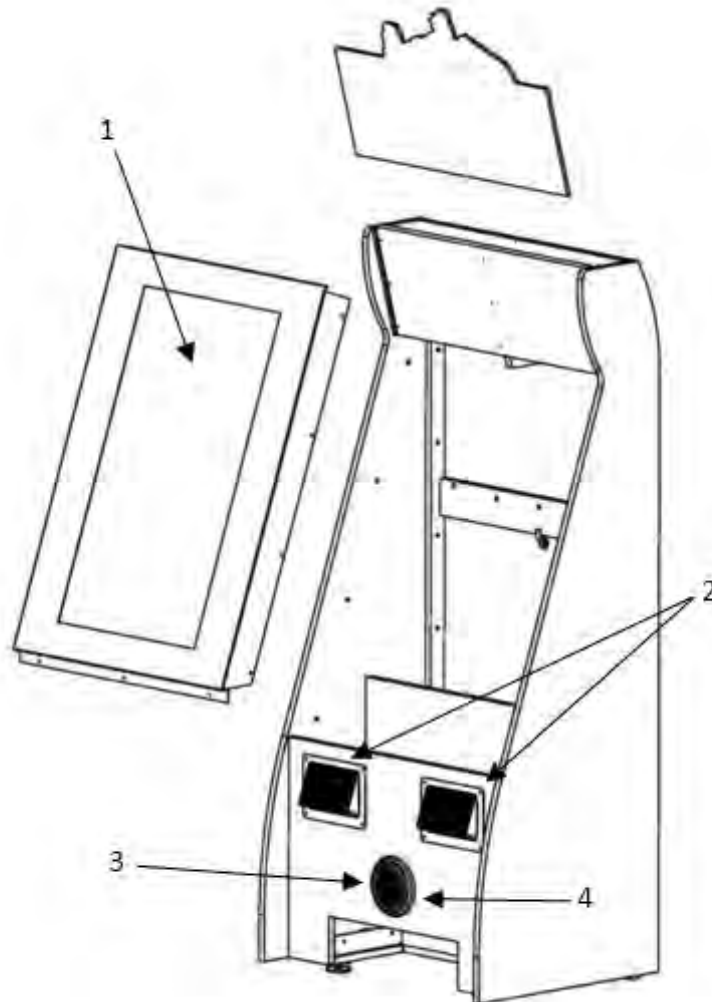
Audio Troubleshooting	
Low volume	Increase the volume in the game by pressing the Admin Button and adjusting the volume options in the Admin Menu (See page 11).
	Increase the volume by using the volume dials on the amplifier, located at the back of the unit (See page 18 / 19).
Error Message Screens	
Dongle not found	The USB Dongle can't be found. Make sure that the USB Dongle is connected to the computer in the right USB port (See page 17 & 26).
Windows Blue Screen	<p>You will need to restore your hard drive by following these steps.</p> <ul style="list-style-type: none"> • Plug in a keyboard in one of the remaining USB ports. • Power up the unit and press "F11" when the first splash screen appears to access the boot menu. • Using the arrows on the keyboard select: USB: ..., then press "Enter". • The restore process will start; it will take about 20 minutes, when done the computer will restart by itself.
General Troubleshooting	
Unit boots to bios screen	Your Hard Drive may be defective. Make sure that the Hard Drive is plugged in.
Unit is not accepting credits Controls are irresponsive	Your Power Supply 5V / 12V may be defective. Make sure the Power Supply 5V / 12V Amp is plugged in properly to a power source (See page 26).

Lane Splitter Extreme Manual V1.1
Chapter 06 – Service & Repair

<p>Admin menu is inaccessible</p>	<p>Your Power Supply 5V / 12V may not output the correct voltage. Measure the voltage and make sure it stands between 4.9V and 5.2V and adjust if necessary (See page 26).</p>
	<p>Your I/O Board may be defective. Make sure that the I/O Board is plugged in properly to a power source and the computer. (See page 20)</p>
<p>Controls are over-sensitive Handlebars have no force feedback</p>	<p>Your Steering Motor may be defective. Make sure that the Steering motor is plugged in properly to the I/O board (See page 20).</p>
	<p>Your Power Supply 24V 5 Amp may be defective. Make sure the Power Supply 24V 5 Amp is plugged in properly to a power source (See page 26).</p>
<p>Header light is not working</p>	<p>Your Header Panel may be defective. Make sure that the Header Panel is plugged in properly to the Power Supply 5V / 12V (See page 26).</p>

Chapter 07 - Parts

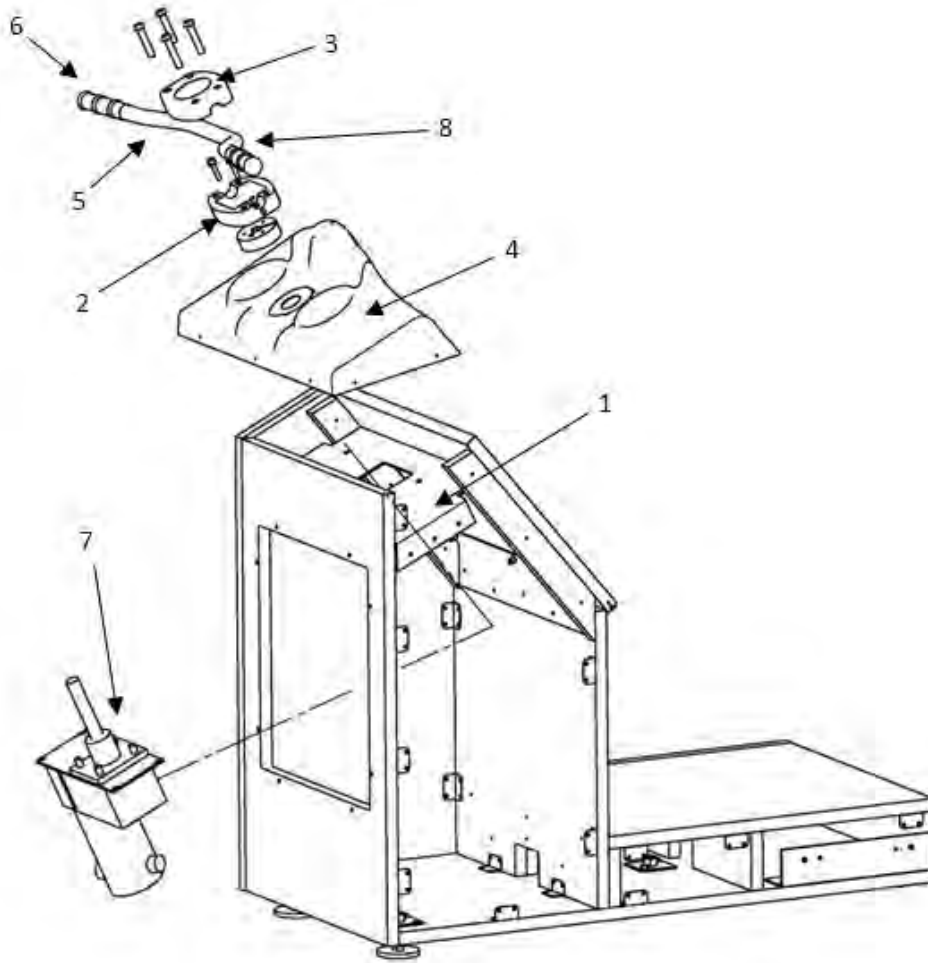
Main Box Parts



Ref	Part Description	Part Number
1	Monitor 42"	RAC-02-0001
2	Speakers	ADR-50-9986-00
3	Subwoofer	ADR-299-114
4	Subwoofer Grill	ADR-260-422

Lane Splitter Extreme Manual V1.1
Chapter 07 - Parts

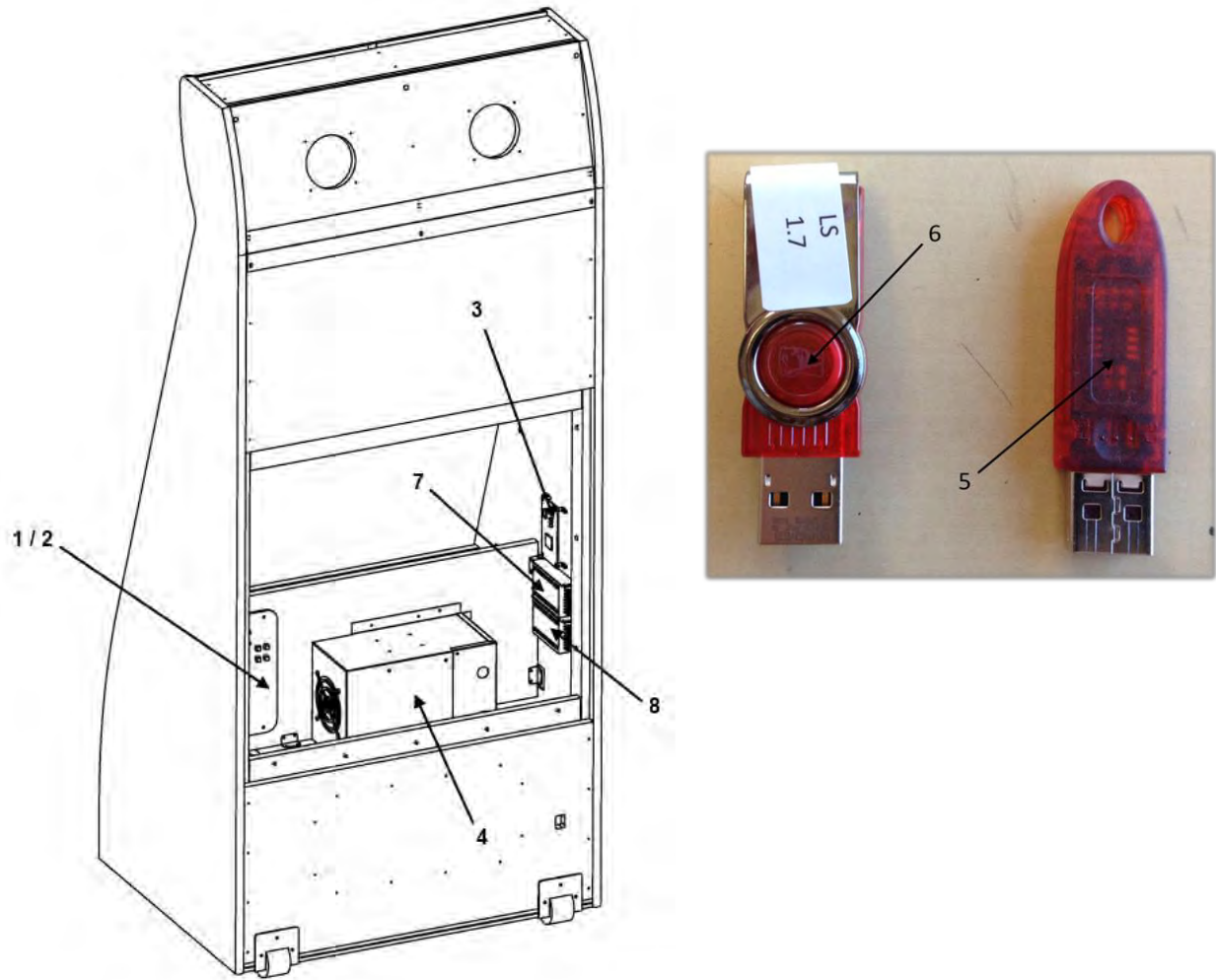
Console Parts



Ref	Part Description	Part Number
1	Steering Holder Bracket	RAC-01-0020
2	Handlebar Clamp (Bottom)	RAC-01-0120
3	Handlebar Clamp (Top)	RAC-02-0130
4	Plastic Dash	LS-07-1001
5	Handlebar	LS-01-0200
6	Grips	LS-07-0210
7	Steering Wheel Active Mech (No-Hoop)	ADR-50-0102-08NH
8	Booster Button	ADR-686

Lane Splitter Extreme Manual V1.1
Chapter 07 - Parts

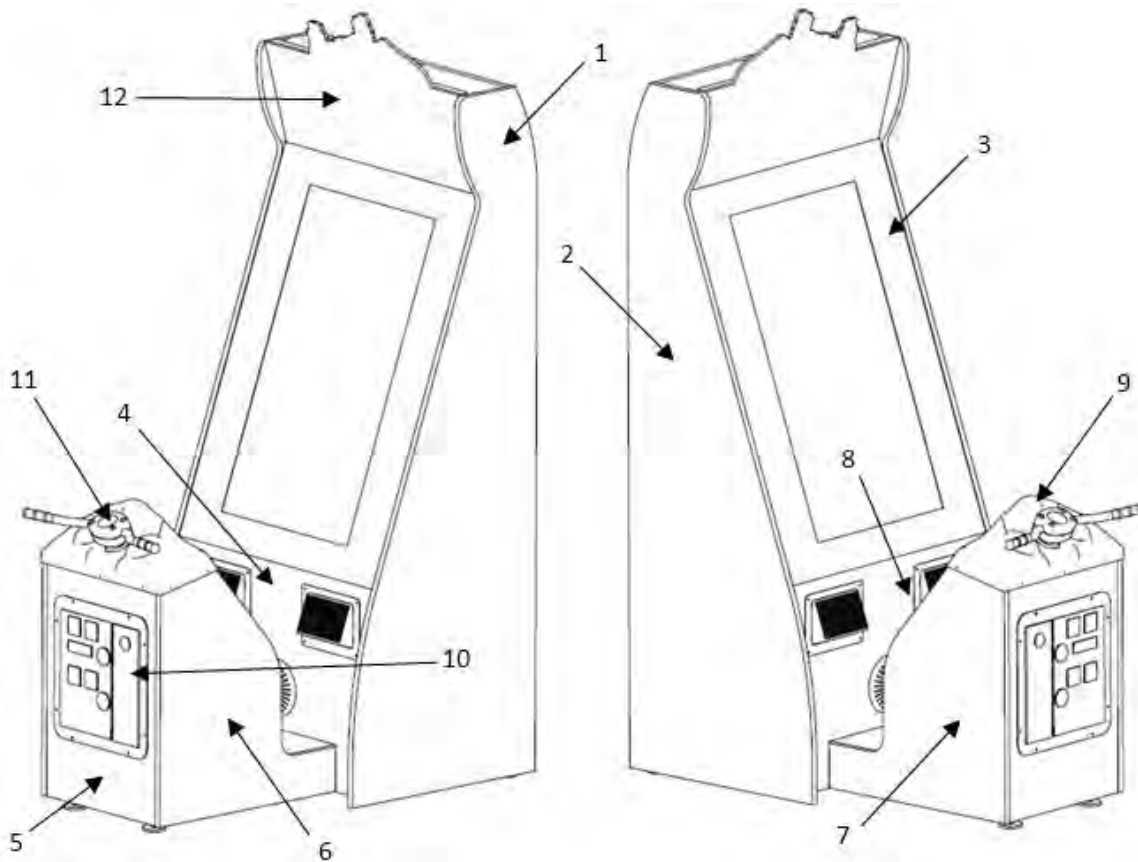
Inside Parts



Ref	Part Description	Part Number
1	Amplifier (Model A)	ADR-AMCA-2550I
2	Amplifier (Model B)	ADR-310-308
3	I/O Board Adrio SM	LS-04-1001
4	Computer	LS-11-1001
5	USB Dongle – Lane Splitter	LS-11-1002
6	USB Recovery Drive	LS-11-2010
7	Power Supply 5V / 12V	ADR-80-0210-00
8	Power Supply 24V 5 Amp	ADR-80-0216-00

Lane Splitter Extreme Manual V1.1
Chapter 07 - Parts

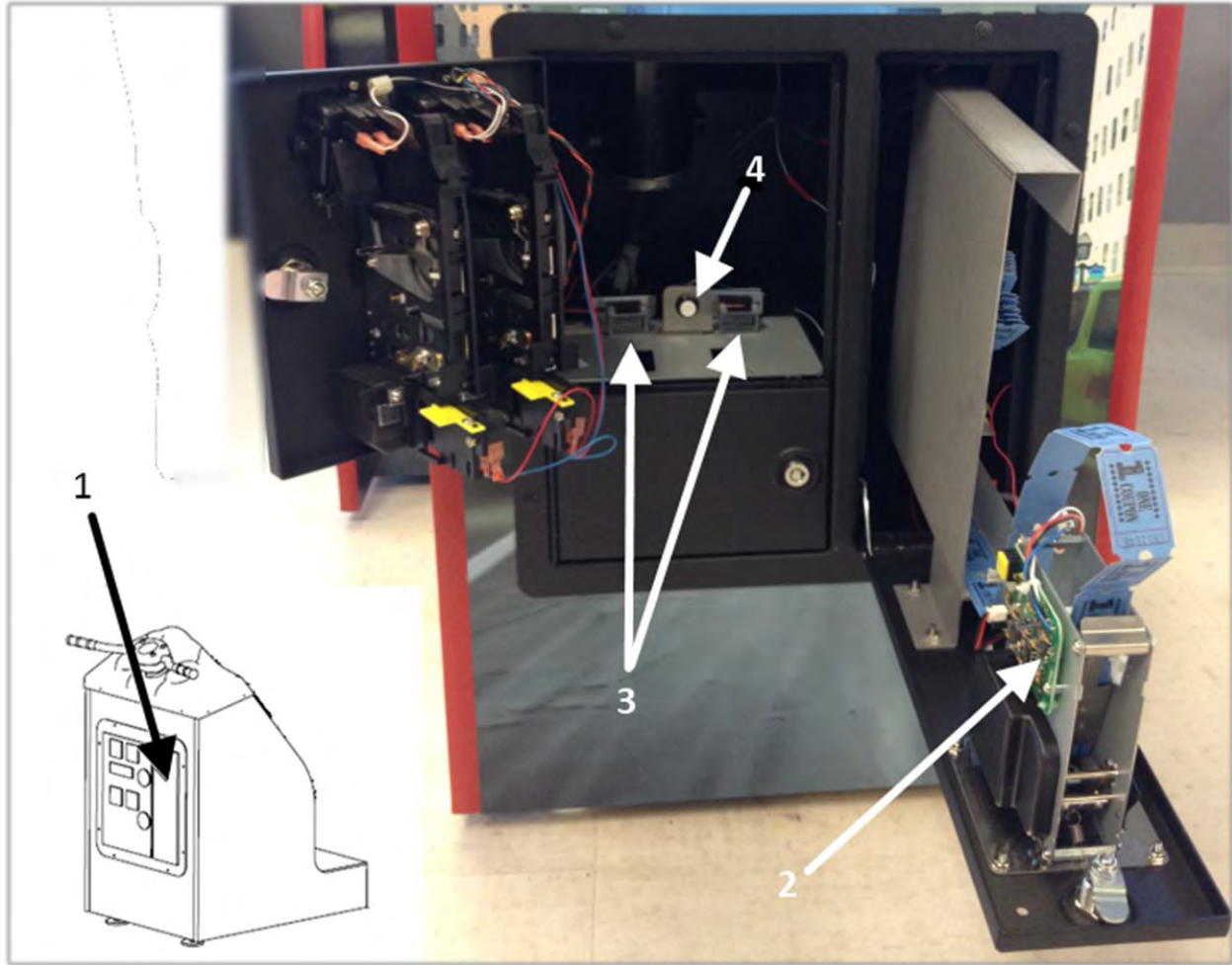
Decals



Ref	Part Description	Part Number
N/A	Decal Kit	LS-13-2001
1	Main Box Right Side	LS-13-1002
2	Main Box Left Side	LS-13-1003
3	Main Box Monitor Screen Up	LS-13-1004
4	Main Box Monitor Screen Down	LS-13-1005
5	Cash Box	LS-13-1006
6	Console Right Side	LS-13-1007
7	Console Left Side	LS-13-1008
8	Console Front	LS-13-1009
9	Speedometer	LS-13-1010
10	Tickets	LS-13-1011
11	Logo Adrenaline Handlebar	LS-13-1012
12	Header with Decal	LS-07-2002

Lane Splitter Extreme Manual V1.1
Chapter 07 - Parts

HAPP Controls



Ref	Part Description	Part Number
1	Entropy Triple Door	ADR-40-0406-25
2	Entropy 2000 Ticket Dispenser	ADR-42-1337-00
3	Meter with Bracket 12V DC 7 Digit	ADR-42-0754-07
4	Miniature Switch (Admin Menu)	ADR-49-0577-01

Lane Splitter Extreme Manual V1.1
Chapter 07 - Parts

Wiring Harness

Part Description	Part Number
Ticket Feeder	LS-03-4010
Coin Acceptor	LS-03-4020
Low Ticket	LS-03-4030
Steering Motor Power	LS-03-4040
Steering Pot + Buttons	LS-03-4050
Power Supply 5V / 12V	LS-03-4060
Subwoofer	LS-03-4070
Power Supply 24V	LS-03-4080
Speakers	LS-03-4090