



TFX1 – Fruit Ninja FX

Operation & Service Manual

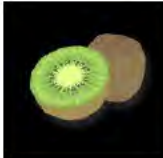
Version 1.1

* Read this manual before use



Table of Contents

Contents	
General Remark	2
Table of Contents	3
Chapter 01 - Preface	5
Precaution for Game Operation	5
Safety	6
Environmental Conditions	6
FCC Notices (United States)	7
Chapter 02 - Game Features	8
How to Play	8
Power Ups	8
Chapter 03 - Unit Features	9
Hardware Features	9
Cabinet Facts	9
Voltage	9
Chapter 04 - Unit Installation	10
Assembling your TFX1 Unit	10
Chapter 05 - Operator Menu, Game Setup	11
The Operator Menu	11
Chapter 06 - Service & Repair	14
Computer Connections, ADR-11-1002	14
Troubleshooting	15
Video Troubleshooting	15
Monitor Troubleshooting	16
Audio Troubleshooting	19
Error Message Screens	19



TFX1 - Fruit Ninja FX Manual V1.1

I/O Board Troubleshooting 20

Touchscreen Troubleshooting 21

Chapter 07 - Parts 24

Screen Assembly TF-00-1010 24

Monitor Parts, Back..... 25

Cabinet Parts 26

Door Assembly TF-00-1020 27

Cash Box Parts 28

Decal Prints & Wood Parts 29

Header Parts..... 30

I/O board TF-04-1200 31

Cabling..... 32

Wiring Harness 32

Misc. Parts 32

Chapter 08 – Diagrams & Schematics 33

Control Card 33

Wiring Diagrams 34



Chapter 01 - Preface

Please read this page before preparing your TFX1 product for game play.

The following safety instructions apply to all game operators and service personnel. Specific warnings and cautions will be included throughout this manual.

Use the following safety guidelines to help protect the system from potential damage and to ensure your personal safety:

- Electronic components in the game cabinet run on 110V AC 60Hz (220V/ 50Hz in most of Europe, the Middle East and the Far East delivered units).
- To help prevent electric shock, plug the system into a properly grounded power source. These cables are equipped with 3-prong plugs to help ensure proper grounding. Do not use adapter plugs or remove the grounding prong from a cable. If you must use an extension cable, use a 3-wire cable with properly grounded plugs.
- To help protect your system from sudden increases and decreases in electrical power, use a surge suppressor, line conditioner or Uninterruptible Power Supply (UPS).
- Be sure nothing rests on the system's cables and that the cables are not located where they can be stepped on or tripped over.
- Keep your system far away from radiators and other heat sources.
- Do not block cooling vents.

Precaution for Game Operation

Adrenaline Amusements Inc. assumes no liability for injuries incurred while playing our games.

Operators should be aware that certain health and physical conditions may make people susceptible to injury when playing video games.



Safety



To avoid electrical shock, unplug the cabinet before performing installation or service procedures.

If a power cord is damaged, it must be replaced by the equivalent power cord available from your distributor.



Adrenaline Amusement Inc. assumes no liability for any damages or injuries incurred while setting up or servicing the cabinet. Only qualified service personnel should perform installation or service procedures.

Environmental Conditions

Cabinet is intended for indoor use only. Be sure to keep the cabinet dry and maintain operating temperatures of 59° - 86° (15° - 30°C).



FCC Notices (United States)

Electromagnetic Interference (EMI) is any signal or emission radiated in free space or conducted along power or signal leads, that endangers the functioning of radio navigation or other safety service, or that seriously degrades, obstructs, or repeatedly interrupts a licensed radio communications service. Radio communications services include, but are not limited to, AM/FM commercial broadcast, television, cellular services, radar, air-traffic control, pager, and Personal Communication Services (PCS). These licensed services, along with unintentional radiators such as digital devices (Including computer systems) contribute to the electromagnetic environment.

Electromagnetic Compatibility (EMC) is the ability of items of electronic equipment to function properly together in the electronic environment. While this computer system has been designed and determined to be compliant with regulatory agency limits for EMI, there is no guarantee that interference will not occur in a particular installation. If this equipment does cause interference with radio communications services, which can be determined by turning the equipment off and on, you are encouraged to try to correct the interference by one or more of the following measures:

- Re-orient the receiving antenna
- Relocated the cabinet relative to the receiver
- Plug the game into a different outlet so that the computer and the receiver are on different branch circuits

If necessary, consult a Regulatory EMC representative of Adrenaline Amusements Inc or an experienced radio/television technician for additional suggestions. You may find the FCC interference Handbook to be helpful. It is available from the U.S. Government Print Office, Washington, DC 20402.

This device has been tested and complies with the limits for a Class A digital device pursuant to Part 15 of the FCC Rules. These limits are designed to provide reasonable protection against harmful interference when the equipment is operated in a commercial environment. This equipment generates, uses, and can radiate radio frequency energy. If not installed and used in accordance with the instruction manual, it may cause harmful interference with radio communications. Operation of this equipment in a residential area is likely to cause harmful interference, in which case you will be required to correct the interference at your own expense.

Operation is subject to following conditions:

- This device may not cause harmful interference.
- This device must accept any interference received, including interference that may cause undesired operation.



Chapter 02 - Game Features

Fruit Ninja FX is a juicy action game enjoyed by millions of players around the world, with squishy, splatty and satisfying fruit carnage! Become the ultimate bringer of sweet, tasty destruction with every slash.




Your success will also please the wise ninja Sensei, who will accompany your journey with wise words and fun fruits facts. Fruit Ninja FX is the messiest and most satisfying fruit game ever!



How to Play

- Swipe your fingers across the screen to deliciously slash and splatter fruit like a true ninja warrior.
- Be careful of bombs, they are explosive to the touch and will drop your precious score.
- Swipe three or more fruits in one quick slice to do a juicy combo and gain more points.
- Slice magical bananas to gain temporary power-ups and become the ultimate fruit warrior.

Power Ups

 DOUBLE POINTS	Slice a BLUE STRIPPED double banana and you'll gain double points for a limited time. Time to rack up those combos!
 FREEZE	Slice an ICE freeze banana and time will slow for a limited time. Wait for the right moment and then slice.
 FRENZY	Slice an ORANGE STRIPPED frenzy banana to send a stream of delicious, bomb-less fruits down the screen. Forget about everything else and slice those fruits!



Chapter 03 - Unit Features

Hardware Features

- Multitouch Screen, Detects 6 inputs
- Ticket dispenser
- 46" Full HD Monitor

Cabinet Facts

Cabinet Dimensions

Length = 48" / 1.2m Depth = 24" / 0.6m Height = 105.6" / 2.66m

Shipping Dimensions

Length = 48" / 1.2m Depth = 36" / 0.92m Height = 88" / 2.25m
Weight = 350 lbs. / 158.75 kg

Voltage

Voltage	Operating
110V AC	4 AMP
220V AC	2 AMP



Chapter 04 - Unit Installation

Assembling your TFX1 Unit

1. Carefully remove the Cabinet from the shipping container, giving yourself enough space.
2. Move the cabinet to the desired location.
3. Install the monitor on its support. Insert the 4 bolts on each side of the metal support (See Fig. 1). Make sure the monitor is at the right height before tightening the bolts.
4. Connect the USB, network and power cables from the computer, on the back of the monitor, to the cabinet.
5. Install the LED header at the top of the unit; insert the 4 bolts on each side of the metal support (See Fig. 2).
6. Connect the power cord from the header to the cabinet, on top of the left tube.
7. Plug in the power cord on the back of the cabinet.

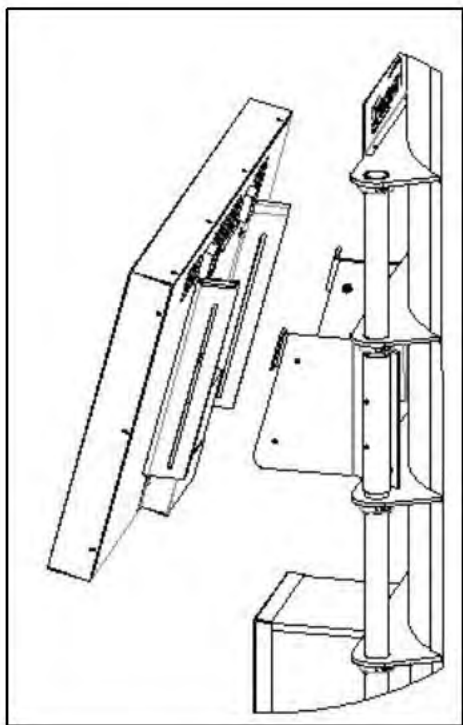


Fig. 1

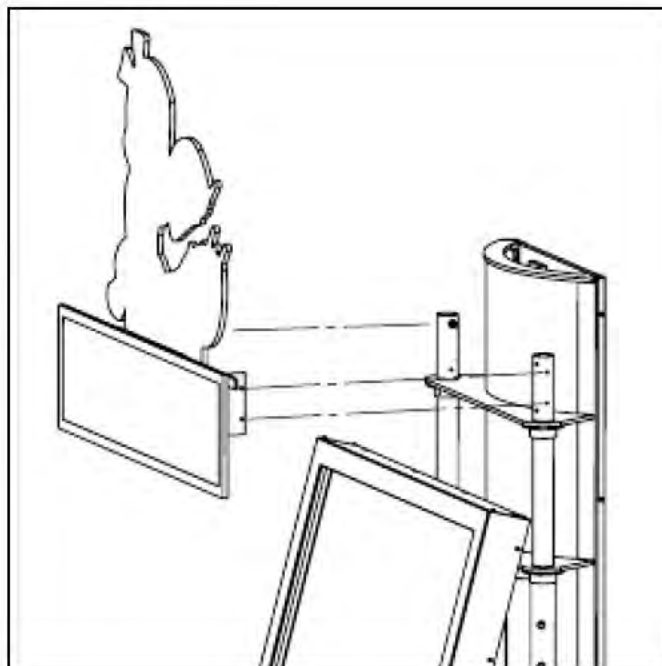


Fig. 2




Chapter 05 - Operator Menu, Game Setup

This chapter describes how to use and navigate the Operator Menu to set up your product and adjust all of the game's parameters.

The Operator Menu

To access the Admin Menu, use the Operator Button located inside the coin door.

To navigate the menu, press the option you want to change, it will highlight in yellow. You can then use the arrows on the right side of the menu to change the highlighted option's value.

CREDITS PER GAME	4	VERSION: 1.4.0.0
GAME AUDIO VOLUME	10	
ATTRACT MODE VOLUME	1	
COUNTDOWN ATTRACT VIDEO	5	
COUNTDOWN JOIN GAME	30	
COUNTDOWN BLADE SELECTION	10	
COUNTDOWN RESULTS SCREEN	15	
COUNTDOWN ENTER YOUR NAME	20	
REDEMPTION	0	
SINGLE PLAYER POINTS DIVIDER	10	
MULTIPLAYER WINNER TICKETS	60	
MULTIPLAYER DRAW TICKETS	20	
MULTIPLAYER LOSER TICKETS	0	BACK TO GAME
FIXED TICKET PAYOUT	0	
TCP PORT	58878	QUIT TO WINDOWS
UDP PORT	58879	
CARD READER	0	
TIME PER ROUND	30	
REDEMPTION UNIT VALUE	1	
LANGUAGE	1	



TFX1 - Fruit Ninja FX Manual V1.1
Chapter 05 - Operator Menu, Game Setup

Operator Menu	Values	What it does
Credits per Game	0 – 20	Adjusts the number of credits required to play. “0” puts the unit in free play mode.
Game Audio Volume	0 - 10	Adjusts the in-game audio volume. “0” will mute the game.
Attract Mode Volume	0 - 10	Adjusts the audio volume of the attract loop. “0” will mute the attract loop.
Countdown Attract Video	5 - 60	Adjusts the countdown between attract mode loops, in seconds.
Countdown Join Game	5 – 60	Adjusts the countdown of the “Join Game” screen, in seconds.
Countdown Blade Selection	0 – 30	Adjusts the countdown of the “Blade Selection” screen, in seconds.
Countdown Results Screen	5 – 60	Adjusts the countdown of the “Results” screen, in seconds.
Countdown Enter your Name	5 – 60	Adjusts the countdown of the “Enter your Name” screen, in seconds.
Redemption	0 – 2	Adjusts the redemption mode. “0” = No Redemption, “1” = Tickets and “2” = Coupons. This will change the in-game text accordingly.
Single Player Points Divider	1 - 99	Adjusts the value by which the final score is divided to determine ticket redemption.
Multiplayer Winner Tickets	1 - 100	Adjusts the number of tickets dispensed to the winner of a multiplayer game.
Multiplayer Draw Tickets	0 – 100	Adjusts the number of tickets dispensed to both players in case of a draw in a multiplayer game.
Multiplayer Loser Tickets	0 – 20	Adjusts the number of tickets dispensed to the loser of a multiplayer game.
Fixed Ticket Payout	0 – 100	Adjusts the number of tickets dispensed per play. If this value is greater than “0”, then all other redemption options are ignored.
TCP Port	N / A	This value is related to the communications in multiplayer matches, DO NOT CHANGE IT.



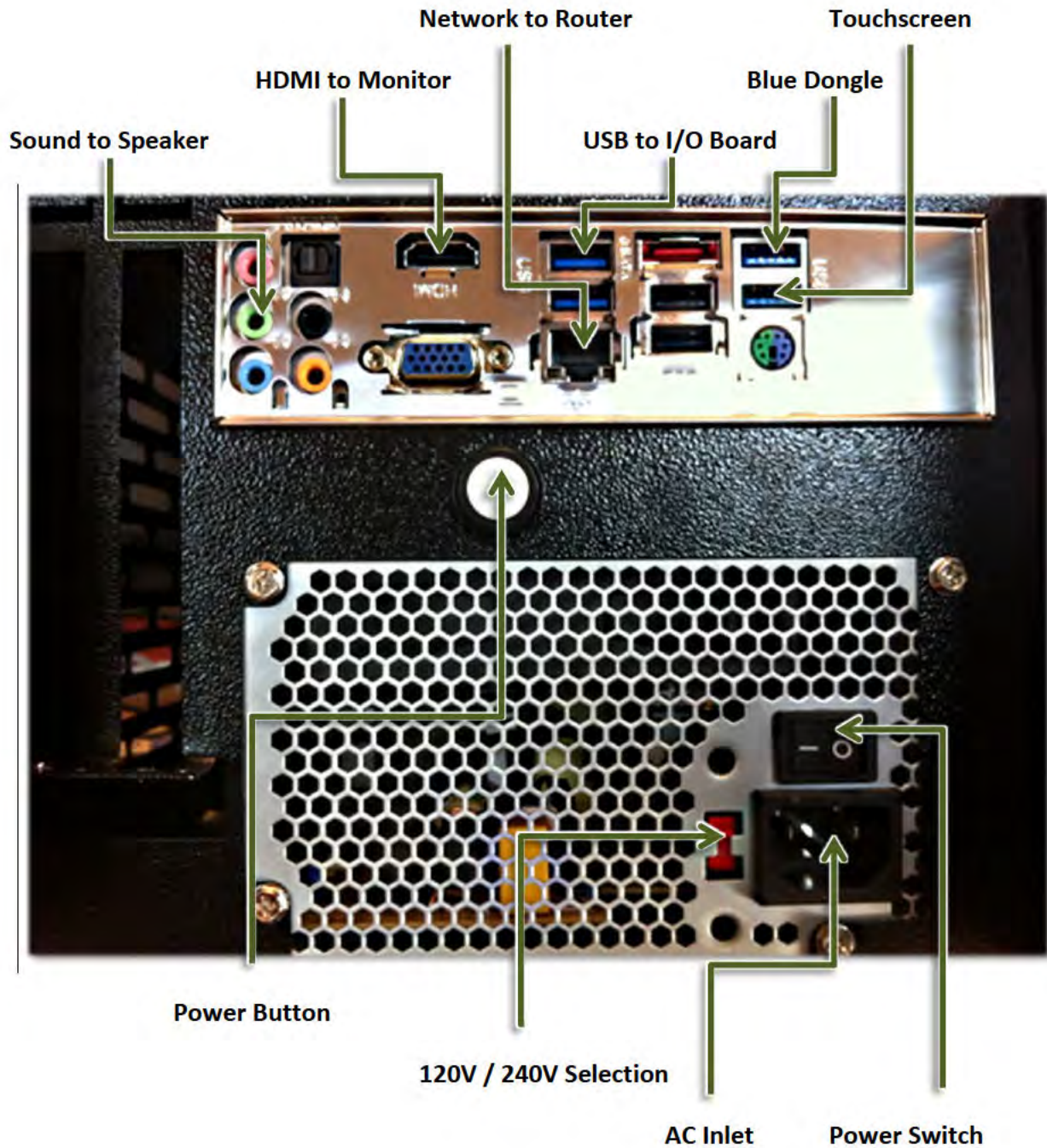
TFX1 - Fruit Ninja FX Manual V1.1
 Chapter 05 - Operator Menu, Game Setup

UDP Port	N / A	This value is related to the communications in multiplayer matches, DO NOT CHANGE IT.
Card Reader	0 – 1	Changes the credit type. “0” = Coins and “1” = Card Reader. This will change the in-game text accordingly.
Time per Round	30 - 90	Adjusts the length of a game, in seconds.
Redemption Unit Value	1 – 2	Adjusts the value of physical tickets. Physical tickets are either worth “1” ticket or “2” tickets
Language	0- 2	Sets the language of the unit. “0” = English, “1” = Japanese and “2” = Chinese.
Reset High Score	N / A	Resets the high scores.
Back to Game	N / A	Exits the Operator Menu and returns to the game.
Quit to Windows	N / A	Exits the game and returns to the Windows desktop.



Chapter 06 - Service & Repair

Computer Connections, ADR-11-1002





Troubleshooting

*** NOTE: When requesting a warranty replacement you will be asked to give the unit's serial number from the back of the unit.**



Video Troubleshooting	
No Picture and Sound	Power problem, check the power to the monitor.
	There are loose or faulty connections between the monitor and the computer. Make sure the HDMI cable is connected properly to both the computer and the LCD# monitor.
	<p>No power to computer.</p> <ul style="list-style-type: none"> • Verify the computer is ON. • Remove computer bottom cover and press the RED or WHITE power button. • Make sure that the power plug is well connected.
	<p>The Bios settings have changed, If the computer does not power automatically when the unit is powered on, follow these steps:</p> <ul style="list-style-type: none"> • Remove computer bottom cover and plug a USB keyboard in one of the remaining USB ports. • Press and hold the "Delete" key on the keyboard and then turn the computer on. Keep holding the "Delete" key until the Bios screen appears. • Using the arrows, select the "Advanced" tab. • Using the arrows, scroll down to the ACPI Configuration option and press the "Enter" key.



TFX1 - Fruit Ninja FX Manual V1.1
Chapter 06 – Service & Repair

	<ul style="list-style-type: none"> • Using the arrows, scroll down to the Restore on AC/Power Loss option and press the “Enter” key. • Using the arrows, select the Power On option and press the “Enter” key. • Press the “F10” key then the “Enter” key to exit the Bios screen. <p>Unplug the keyboard and put the bottom cover back on.</p>
<p>Picture Shutters, Freezes Momentarily</p>	<p>The best way to verify the cause is to try and disconnect both USB cables from the computer itself and restart the unit. If the shuttering is still present then the hard drive is usually the cause of this issue.</p> <p>If the shuttering went away just plug back the USB cables one at a time and restart the computer every single time. This will eventually point you into the right direction. Sometimes the USB cables get pulled or squeezed, this causes a power surge back to the computer thus the shuttering issue. Bypassing the USB cable using another one to test your issue will tell you which one to replace.</p>

Monitor Troubleshooting

<p>Identifying your Monitor</p>	<p>First, identify your monitor model. Check the back of the monitor’s casing.</p> <p>If there’s a label in the lower-left corner or in the lower right corner, you have a TFT monitor (See Fig 3).</p> <div data-bbox="548 1352 1414 1738" data-label="Image"> </div> <p style="text-align: center;">Fig.3</p>
--	--



TFX1 - Fruit Ninja FX Manual V1.1
Chapter 06 – Service & Repair

If there's a label in the lower left corner, you have an Effinet monitor (See Fig 4).

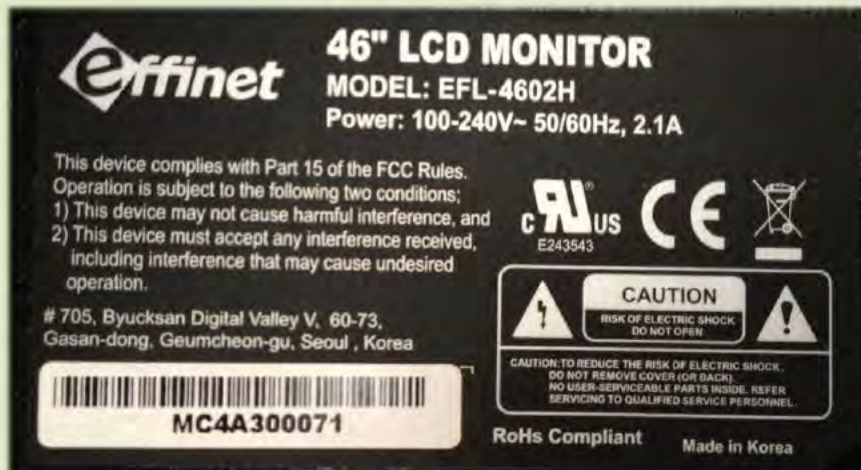


Fig. 4

If there is no label on the back of your monitor you have a Samsung monitor.

**Framing Problems,
Wrong TV Settings / TFT
Monitors.**

You will to use your monitor's remote control to adjust its settings.

*** NOTE: Use ONLY the purple buttons when dealing with model A monitors.**

- Press Display / Input Gain / +3
- Bass : 78
- Treble : 78
- Volume : 100

**Framing Problems,
Wrong TV Settings /
Effinet Monitors.**

There are no means of adjusting the settings of an Effinet monitor. If problems persist, you will need to replace your monitor.



**Framing Problems,
Wrong TV Settings /
Samsung Monitors.**

You must place your remote control straight up against the glass aiming down in the lower right hand corner of the screen, usually 6 inches from the corner (See Fig 5).



Fig. 5

- Source/ HDMI 4
- Press “Menu”, find Eco Solution under Mode or Plug and Play depending on the model you have.
- Reset all timers to OFF.
- Plug and Play / General / Game Mode / On
- P.Mode on your remote / Screen Fit
- Volume : 95

If you encounter other issues with your monitor you may reset it to factory settings. Press “EXIT” for about 30 seconds then OK your monitor will shut OFF. Turn it on set Language to English, Home Use, D, D, D (blue button on remote) then OK. Set to HDMI4 then set to required settings on top of this page.



Audio Troubleshooting	
Low Volume / No Sound	Increase the volume in the game by pressing the Operator Button and adjusting the volume options in the Operator Menu.
	Increase the monitor's volume by using the monitor's remote control. If using a TFT or a Samsung model monitor.
	Verify that the 1/8" plug is plugged in the computer's green sound input jack and that the other end is plugged inside the monitor. To verify if it's plugged inside your monitor, power up the unit and try touching the plug at the computer's end. If you hear a grounding sound it is connected.
Error Message Screens	
Error when Opening Serial Port	Make sure that a USB cable is connected from the computer to the I/O board.
Windows Boot Manager	<p>At machine start up if you get a windows error message saying "Windows boot manager" then the boot selection failed because a required device is inaccessible.</p> <ul style="list-style-type: none"> • Disconnect the usb cable between the cabinet and the screen then, connect a keyboard. • Disconnect power and reconnect it to restart the computer. • Press F8 repeatedly until you get to the windows boot selection. • If you get to a blue boot disk selection press Enter then press again on F8 repeatedly until you get to the windows boot selection. • Select Normal boot then press Enter. • Disconnect the keyboard and reconnect the cabinet and the screen.
Dongle not found	The USB Dongle can't be found. Make sure that the USB Dongle is connected to the computer in the right USB port.



<p>Windows Blue Screen</p>	<p>You will need to restore your hard drive by following these steps.</p> <ul style="list-style-type: none"> • Unplug the USB cable between the monitor and the cabinet and plug in a USB keyboard. • Power up the unit and press “F11” when the first splash screen appears to access the boot menu. • Using the arrows on the keyboard select: USB: ..., then press “Enter”. • The restore process will start; it will take about 20 minutes, when done the computer will restart by itself.
-----------------------------------	--

I/O Board Troubleshooting

<p>The Unit won't Accept Credits</p>	<p>Verify if the USB cable between the cabinet and the computer is connected. In the event it seems to be well connected and you still get no response you may verify your power supply inside the cash cabinet access. It needs to output 5 volts and 12 volts in the proper outputs (See Fig 6). There is a plastic screw on the side and can be easily adjusted. If everything is plugged in correctly and power is well adjusted and there are still no credits going in, you may try using another USB cable to connect the board straight to the computer.</p> <div data-bbox="602 1096 1360 1745" data-label="Image"> </div> <p style="text-align: center;">Fig. 6</p>
---	--



**The Ticket Distributer
Keeps Turning**

This usually happens when the 4 pin connectors are swapped in the wrong order or one of the fuses has blown on the I/O board (See Fig 7).



Fig. 7

Touchscreen Troubleshooting

**Touchscreen is
Irresponsive or
Doesn't Work Properly**

If you have an issue with your touchscreen you must:

- Plug in a USB keyboard using the USB connector between the cabinet and the monitor.
- Press the letter "Q" if in the game, to quit the game.
- Swap the keyboard for a mouse.
- Double click on the Multitouch Platform icon.
- When the window opens up, verify if you see the serial number of the touchscreen appearing in the upper right corner of the window.

If it does not appear, you must verify if your USB connector is still plugged in to your computer. You can try and swap it with another USB connection on the computer.

If it's well inserted and there is still no response, you will have to remove the monitor cover to expose the touchscreen and verify the USB connection at that end along with the 12 volt connector pin (See fig 8). If the power cord is hot, please disconnect it and have your touchscreen replaced.



TFX1 - Fruit Ninja FX Manual V1.1
Chapter 06 – Service & Repair



Fig. 8

If the serial number appears on the upper right of the box, (See Fig 9) you must press Calibration, and then press each of the + when asked to.



Fig. 9

If you cannot finish the calibration up to the end you will need to remove the monitor cover to expose the Touchscreen. Make sure the power is OFF. You must then verify all three of the white connectors in the corners of the Touchscreen. Gently lift the brackets and re-insert the connectors in place (Fig 10 and 11).



TFX1 - Fruit Ninja FX Manual V1.1
Chapter 06 – Service & Repair



Fig. 10



Fig. 11

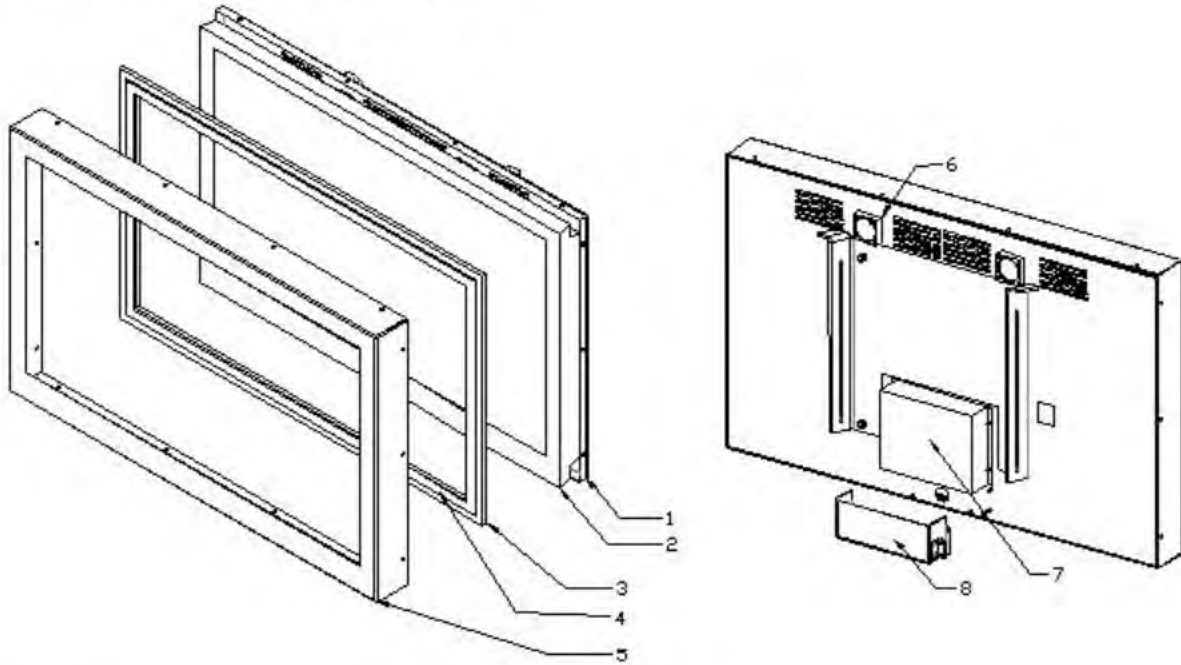
If those methods do not resolve your issues, you will need to replace your touchscreen.

*** NOTE: Do not remove any parts other than the corner brackets from the touchscreen or you may void your warranty. They are very expensive.**



Chapter 07 - Parts

Screen Assembly TF-00-1010

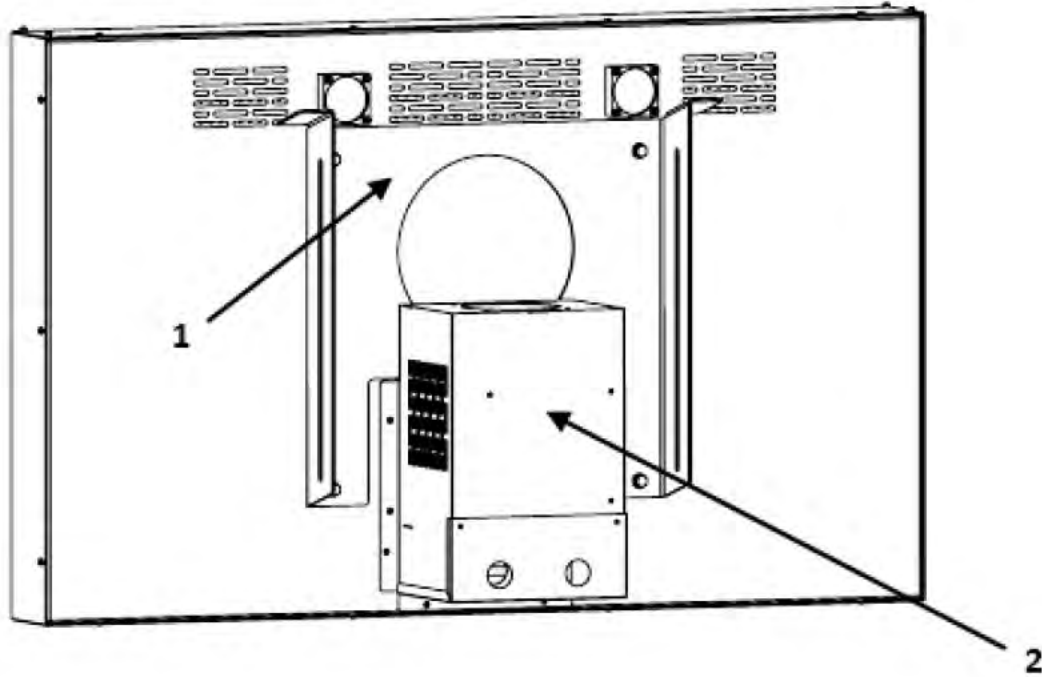


Ref	Part Description	Part Number
1	Monitor Back Frame	TF-01-1020
2	46" Monitor	ADR-10-1001
3	Tempered Glass	TF-10-1220
4	Multitouch Overlay	ADR-10-1002
5	Monitor Front Frame	TF-01-1030
6	Cooling Fan	TF-05-1250
7	Computer – FN (2011 Version)	ADR-11-1002
8	Computer Back Cover	TF-01-1040



TFX1 - Fruit Ninja FX Manual V1.1
Chapter 07 - Parts

Monitor Parts, Back

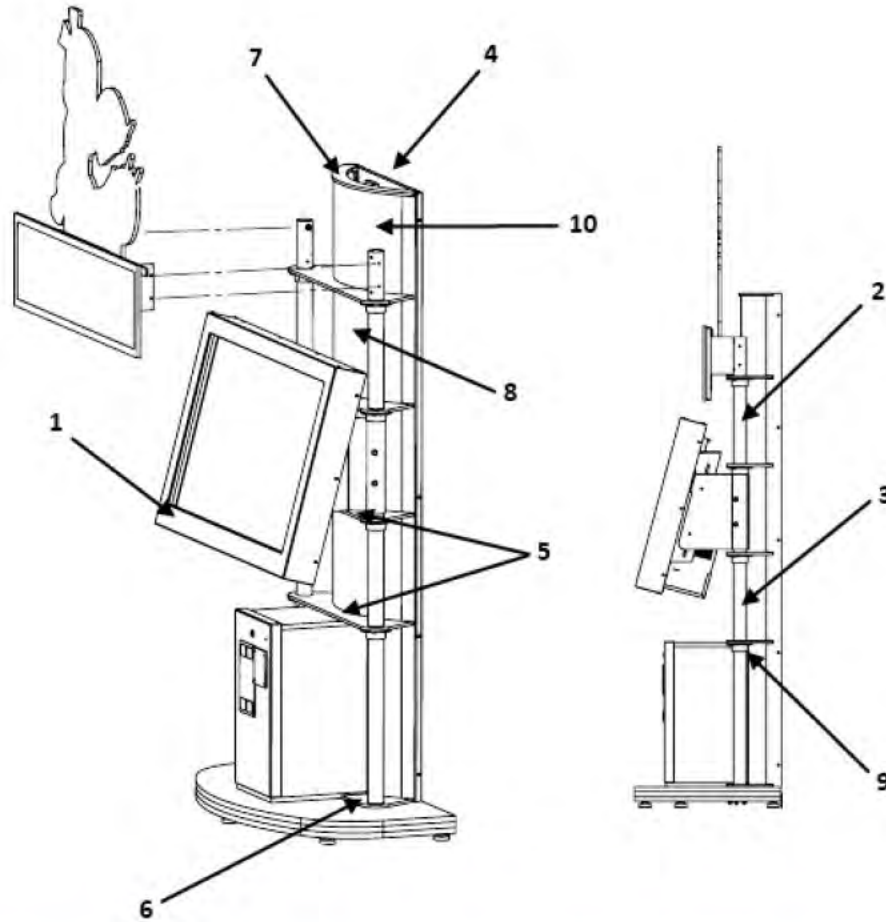


Ref	Part Description	Part Number
1	Monitor Support	TF-01-1050
2	PC-BOX, Computer – FN (2012 Version)	ADR-11-1007
N/A	Restore USB Flash Drive FN – AT5IONT	ADR-11-2010
N/A	Restore USB Flash Drive FN – E350MI	ADR-11-2011
N/A	Restore USB Flash Drive FN – A75	ADR-11-2012



TFX1 - Fruit Ninja FX Manual V1.1
Chapter 07 - Parts

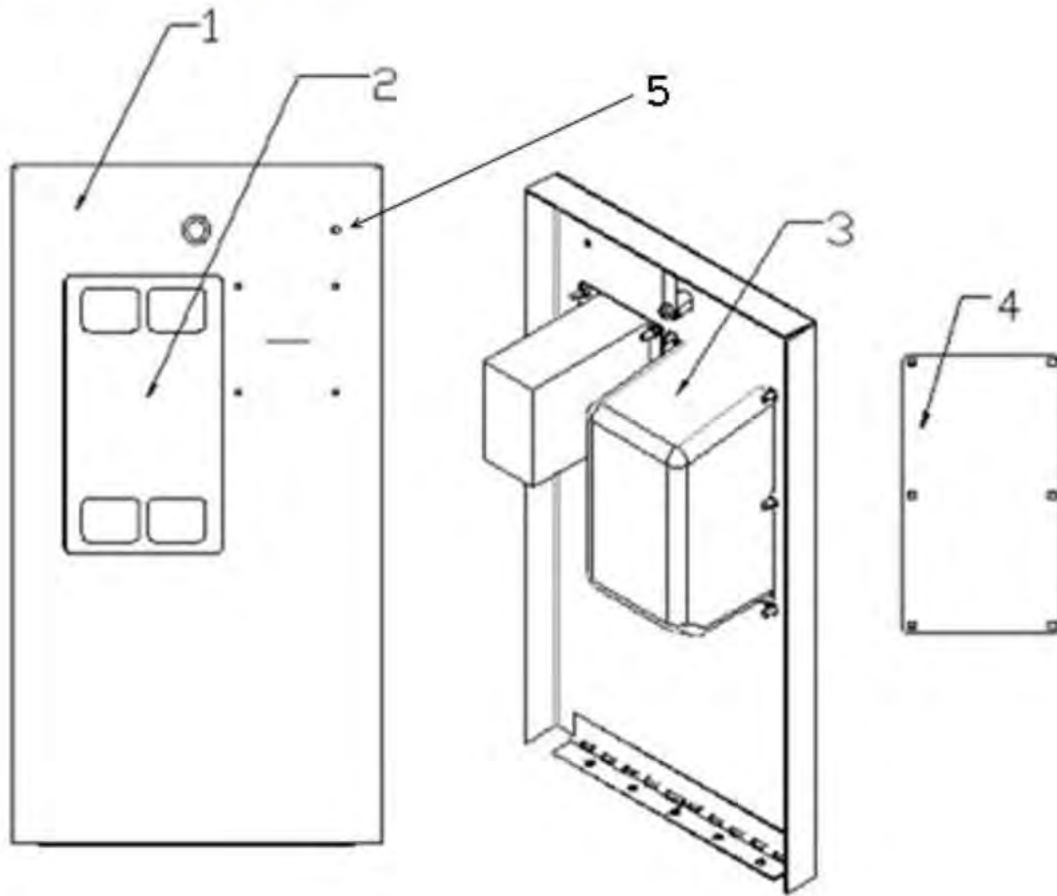
Cabinet Parts



Ref	Part Description	Part #	Ref	Part Description	Part #
1	46" Monitor with Enclosure (W/O Touchscreen Overlay)	ADR-10-1003	7	Plastic Top	TF-07-100
2	Top Tube	TF-01-1470	8	Plastic Back Panel PTEG (Behind #10)	TF-07-1100
3	Bottom Tube	TF-01-1070	9	2" Collar	ADR-01-1200
4	Bracket Link 2 Module	TF-01-1170	10	Green Plastic (Per Foot)	ADR-PC-13-062
5	Plastic Support	TF-07-1060	N/A	T5-21 Watt 6400K 34-1/2" Fluorescent Fixture – 220 Volt Set (3-Prong Unit)	ADR-05-1221
6	Plastic Foot Right	TF-07-1070	N/A	T5-21 Watt 6400K 34-1/2" Fluorescent Fixture – 110 Volt Set (3-Prong Unit)	ADR-05-1220
6	Plastic Foot Left	TF-07-1080			



Door Assembly TF-00-1020

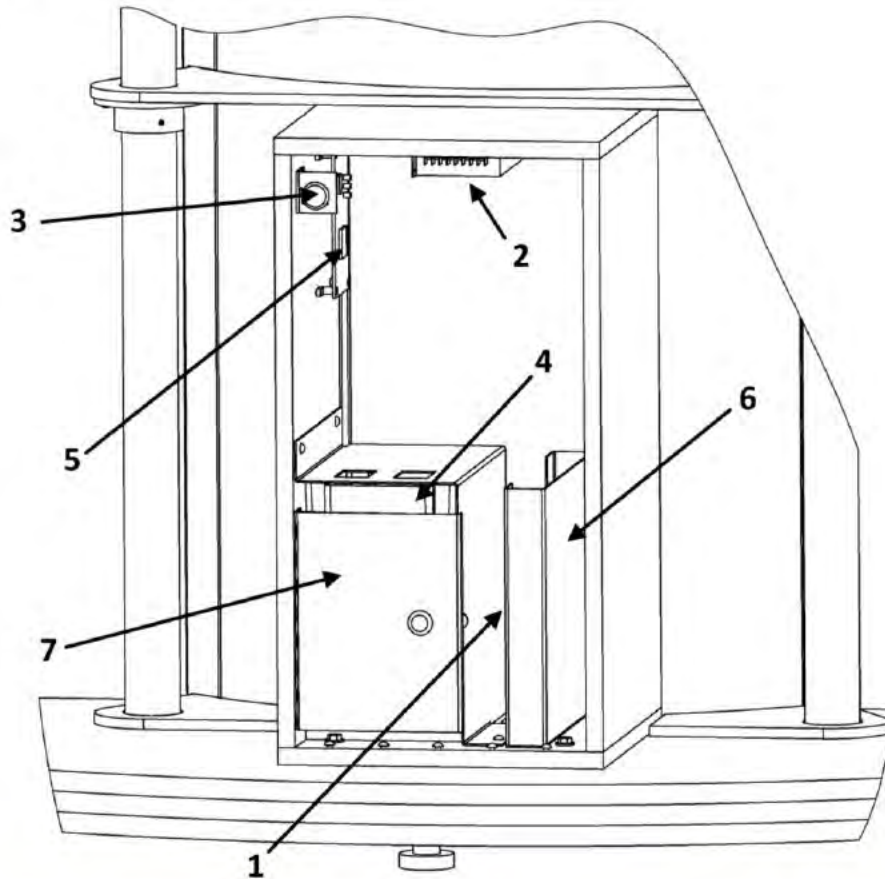


Ref	Part Description	Part Number
1	Coin Door - Standard – Coin + Ticket	TF-01-1090
2	Dual Front Plate...	ADR-40-0168-00
3	Ticket Feeder	ADR-42-1337-00
4	Blank Panel for Coin Acceptor (Optional)	TF-04-001
5	LED Low Ticket	ADR-L20691-ND



TFX1 - Fruit Ninja FX Manual V1.1
Chapter 07 - Parts

Cash Box Parts

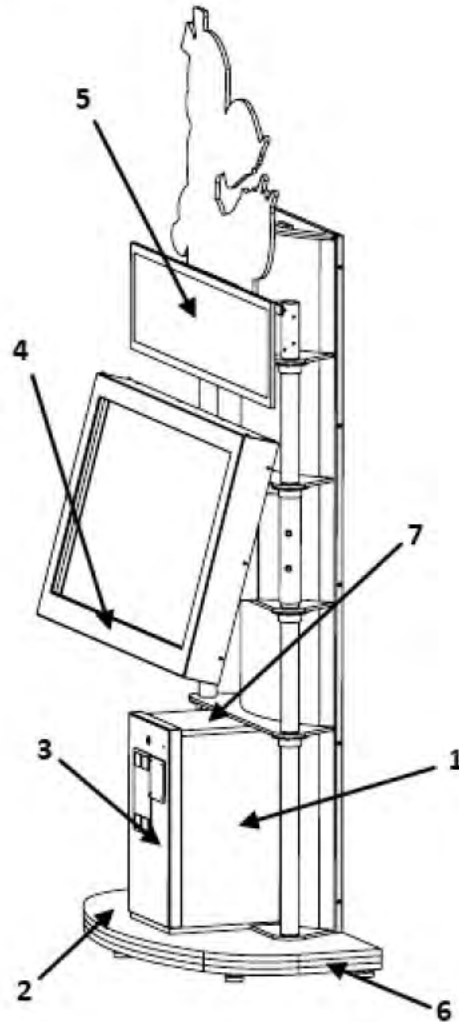


Ref	Part Description	Part Number
1	Low Ticket Switch	ADR-95-4255-00
2	Power Supply 5V / 12V	ADR-80-0064-00
3	Miniature Switch (Operator Mode)	ADR-49-0577-01
4	Cashbox Black Plastic	ADR-42-1102-10
5	I/O Board	ADR-04-1200
6	Ticket Bin	TF-01-1280
7	Cash Box Protection	TF-01-1500
N/A	Meter with Bracket 12V DC 7 Digits	ADR-42-0754-07
N/A	D-Link DSL / Cable 4P Router	ADR-11-1003
N/A	Coin Door-Coin + Bill Validator	TF-01-1091



TFX1 - Fruit Ninja FX Manual V1.1
Chapter 07 - Parts

Decal Prints & Wood Parts

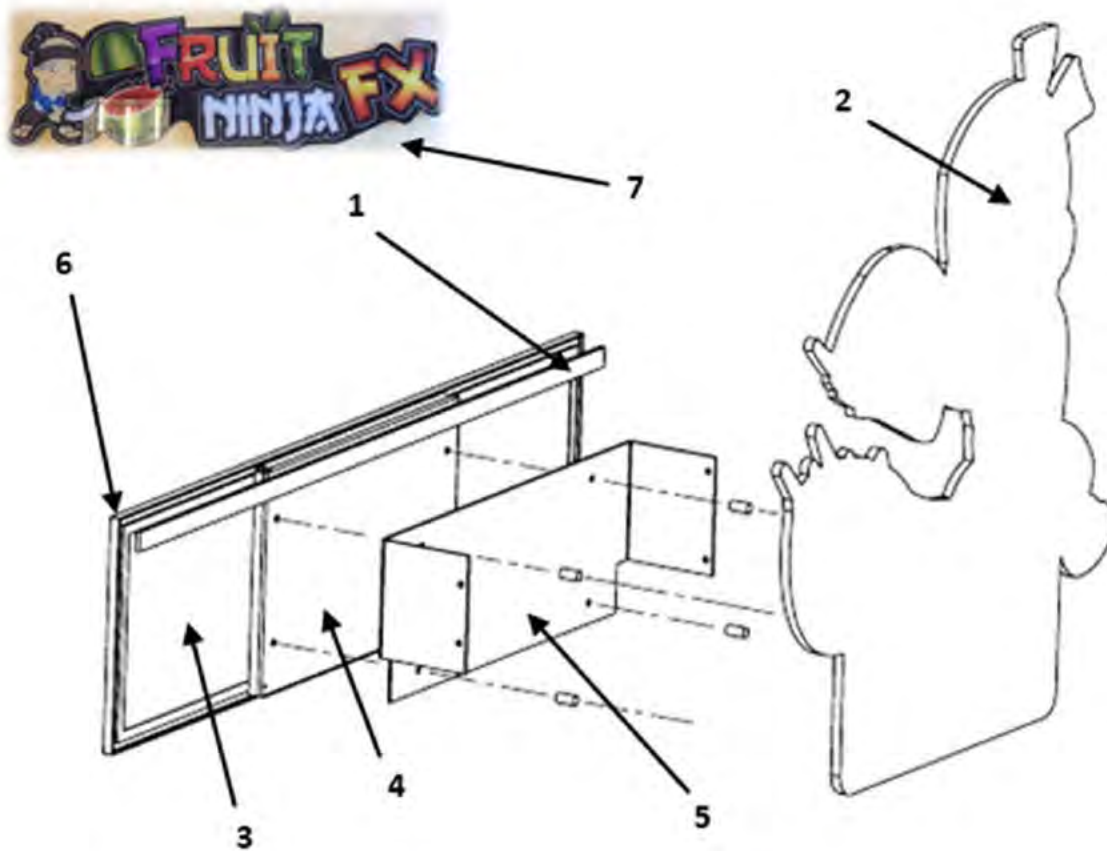


Ref	Part Description	Part Number
1	Logo A	ADR-09-1001
2	Logo Adrenaline Floor TFX1	ADR-09-1003
3	FN Tickets Sticker	ADR-09-1006
4	TouchFX Sticker	ADR-09-1008
5	Decal Backlit Fruit Ninja FX	ADR-09-1013
6	Floor Assembly	TF-02-2000
7	Cash Box Assembly	TF-02-2010



TFX1 - Fruit Ninja FX Manual V1.1
Chapter 07 - Parts

Header Parts

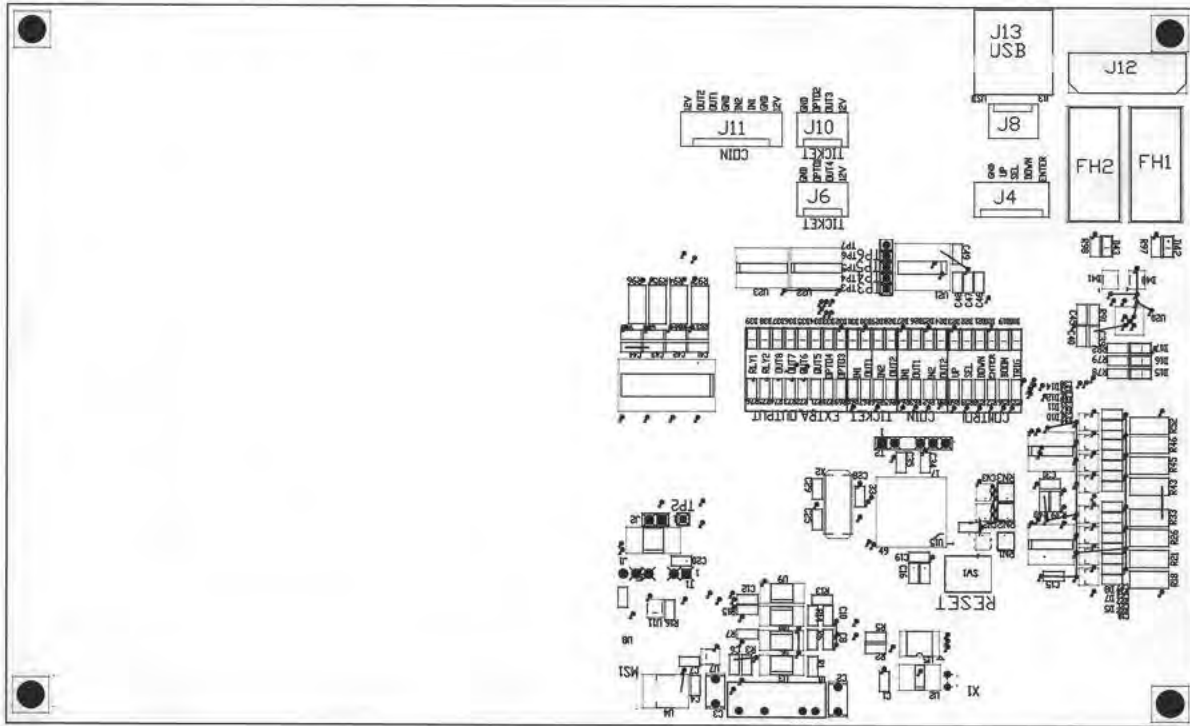


Ref	Part Description	Part Number
1	LED Strip Light	ADR-08-1005
2	Top Header Fruit Ninja	ADR-09-1016
3	LED Signage Panel	ADR-09-1017
4	Plaque Display	TF-01-1480
5	Support Display	TF-01-1452
6	Mocap Corner LED Panel	ADR-VCC9459
N/A	LED Strip Light Y Connector	ADR-08-1025
7	Lexan Fruit Ninja Header (2011 Version) TFX1	ADR-09-1010



TFX1 - Fruit Ninja FX Manual V1.1
Chapter 07 - Parts

I/O board TF-04-1200



Ref	Link
J4	To Operator Button
J8	Not Used
J6	To Low Ticket Switch
J10	To Ticket Dispenser
J11	To Coin Door and Meters



TFX1 - Fruit Ninja FX Manual V1.1
Chapter 07 - Parts

Cabling

Part Description	Part Number
RJ45 Female to Female Coupler	ADR-CN-RJ45-FF
3 Feet Cate5e RJ45 Cable	ADR-CAT5E-03BK
7 Feet Cate5e RJ45 Cable	ADR-CAT5E-07BK
6 Foot HDMI Cable	ADR-HDMI-140-06
10 Feet USB "AB"	ADR-USB-AB1-10BK
3 Feet USB Extension "AA" MF	ADR-USB-AA3-03
2 Feet C14 to 2xC13 Power Splitter	ADR-PW-200B-02
8 Feet IEC-C13 to IEC-C14 Power Cord	ADR-PW-100-08

Wiring Harness

Part Description	Part Number
Ticket	TFX-03-4010
Coin Acceptor	TFX-03-4020
Low Ticket	TFX-03-4030
Keypad	TFX-03-4050
Power 5-12 Cabinet	TFX-03-4071
Power Unit EMI Filter to C13	TFX-03-4090
Power for Power Supply 12/5 Volt	TFX-03-4091
Reset Computer	TFX-03-4092

Misc. Parts

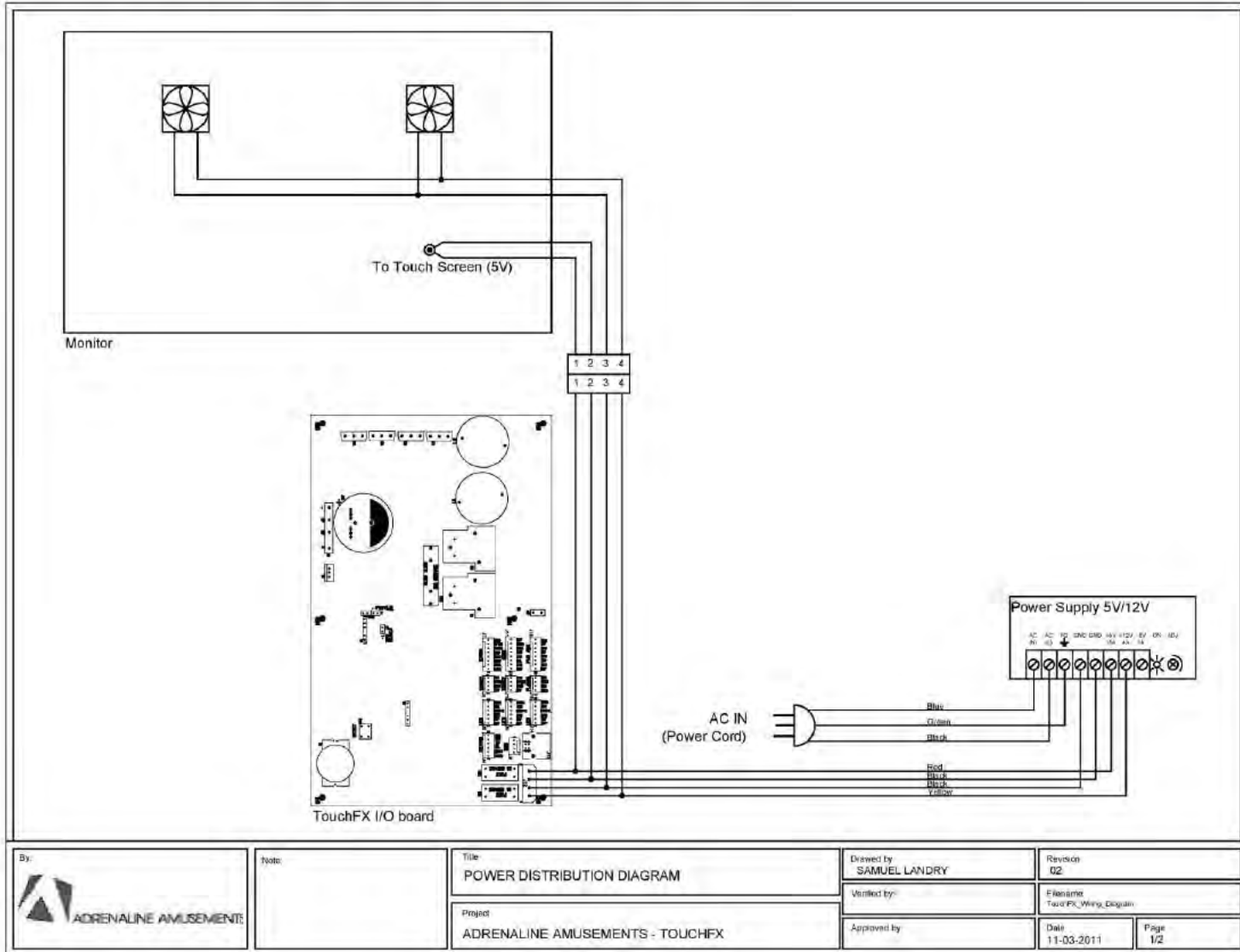
Part Description	Part Number
Diamond-Fusion Step 1 – 2.5 ml	TF-15-1001
Diamond-Fusion Step 2 – 2.5 ml	TF-15-1002



TFX1 - Fruit Ninja FX Manual V1.1
Chapter 08 – Diagrams & Schematics

Chapter 08 – Diagrams & Schematics

Control Card





TFX1 - Fruit Ninja FX Manual V1.1
Chapter 08 – Diagrams & Schematics

Wiring Diagrams

