



RAMPAGE

RAM-65-1001

Operation & Service Manual

Version 1.0

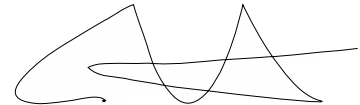
*** Read this manual before use**



ADRENALINE
aagames.com

General Remark

If you encounter any difficulties or if you need support on how to update and/ or install your Rampage product, we invite you to contact your local distributor or reach us at support@aagames.com or by calling our support line +1-450-824-1671



Adrenaline Amusements Team

Adrenaline Amusements
1150 Levis, Suite 302
Terrebonne, Qc
Canada
J6W 5S6

Table of Contents

Contents

General Remark.....	2
Table of Contents.....	3
Chapter 01 - Preface	5
Precaution for Game Operation.....	5
Safety.....	6
Environmental Conditions.....	6
Operating & Voltage.....	6
Chapter 02 – Unit Features	7
Hardware Features.....	7
Cabinet Facts	7
Chapter 03 – Unit Installation	8
Assembling your Rampage Unit	8
How to slide out the Screen Module:	8
Header Assembly.....	10
How to open the Dash Board:.....	12
Chapter 04 – Operator Menu	13
Operator Menu	13
Chapter 05 – Service & Repair.....	15
Computer Connections	15
Troubleshooting	16
Video Troubleshooting.....	16
Audio Troubleshooting	16
RGB Led Troubleshooting.....	17
Replacing RGB LED PCBs.....	21
Wireless Internet Configuration.....	22



Chapter 06 - Parts23

Cabinet Parts 23

Computer & Electronics 25

Header & LEDs..... 26

Cabling..... 27

Wiring Harness 27

Chapter 07 – Diagrams & Schematics28

I/O Board ADR-04-1003 28

I/O Board - Schematics Wiring 31

Player 1..... 31

Player 2..... 32

Player 3..... 33

Tickets Wiring..... 34

Meters - Operator Button - Header LED Power 35

Power Distribution Schematics 37

RGB LED Schematics 38

RGB LED Controller Channel 1..... 39

RGB LED Controller Channel 2..... 40

RGB LED Controller Channel 3..... 41

Chapter 08 – Software Recovery42

Chapter 09 – Card Reader43

Limited Warranty Policies44



Chapter 01 - Preface

Please read this page before preparing your Rampage Arcade product for game play.

The following safety instructions apply to all game operators and service personnel. Specific warnings and cautions will be included throughout this manual.

Use the following safety guidelines to help protect the system from potential damage and to ensure your personal safety:

- Electronic components in the game cabinet run on 110V AC 60Hz (220V/ 50Hz in most of Europe, the Middle East and the Far East delivered units).
- To help prevent electric shock, plug the system into a properly grounded power source. These cables are equipped with 3-prong plugs to help ensure proper grounding. Do not use adapter plugs or remove the grounding prong from a cable. If you must use an extension cable, use a 3-wire cable with properly grounded plugs. We do recommend a 15A rated current or higher power cord.
- To help protect your system from sudden increases and decreases in electrical power, use a surge suppressor, line conditioner or Uninterruptible Power Supply (UPS).
- Be sure nothing rests on the system's cables and that the cables are not located where they can be stepped on or tripped over.
- Keep your system far away from radiators and other heat sources.
- Do not block cooling vents.

Precaution for Game Operation

Adrenaline Amusements Inc. assumes no liability for injuries incurred while playing our games.

Operators should be aware that certain health and physical conditions may make people susceptible to injury when playing video games.

Safety



To avoid electrical shock, unplug the cabinet before performing installation or service procedures.

If a power cord is damaged, it must be replaced by the equivalent power cord available from your distributor.



Adrenaline Amusement Inc. assumes no liability for any damages or injuries incurred while setting up or servicing the cabinet. Only qualified service personnel should perform installation or service procedures.

Environmental Conditions

Cabinet is intended for indoor use only. Be sure to keep the cabinet dry and maintain operating temperatures of 59° - 86°F (15° - 30°C).

Operating & Voltage

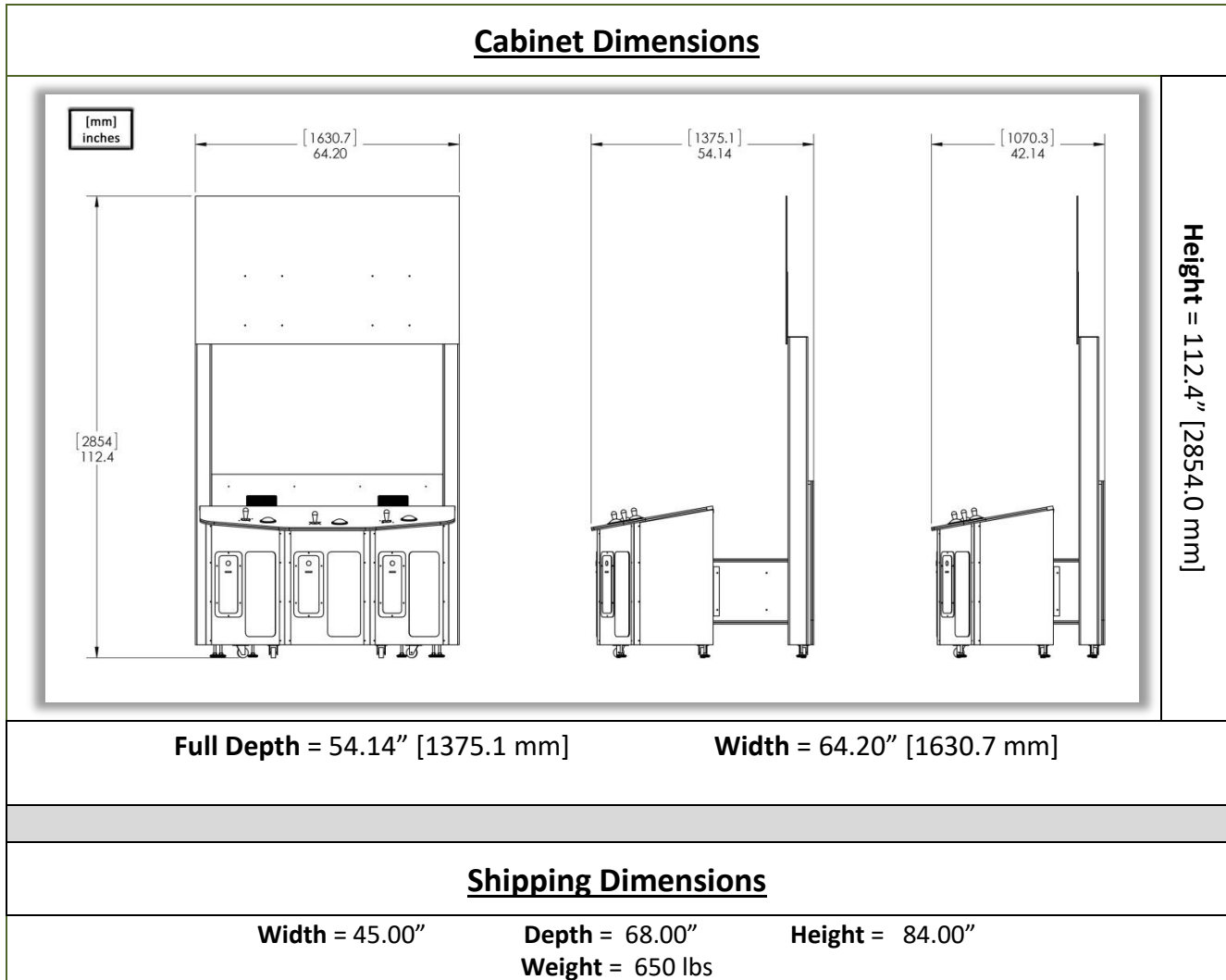
Voltage	Operating
110V AC	4.0 AMP
220V AC	2.0 AMP

Chapter 02 – Unit Features

Hardware Features

- 3 Players Game
- 65 inches Screen

Cabinet Facts



Chapter 03 – Unit Installation

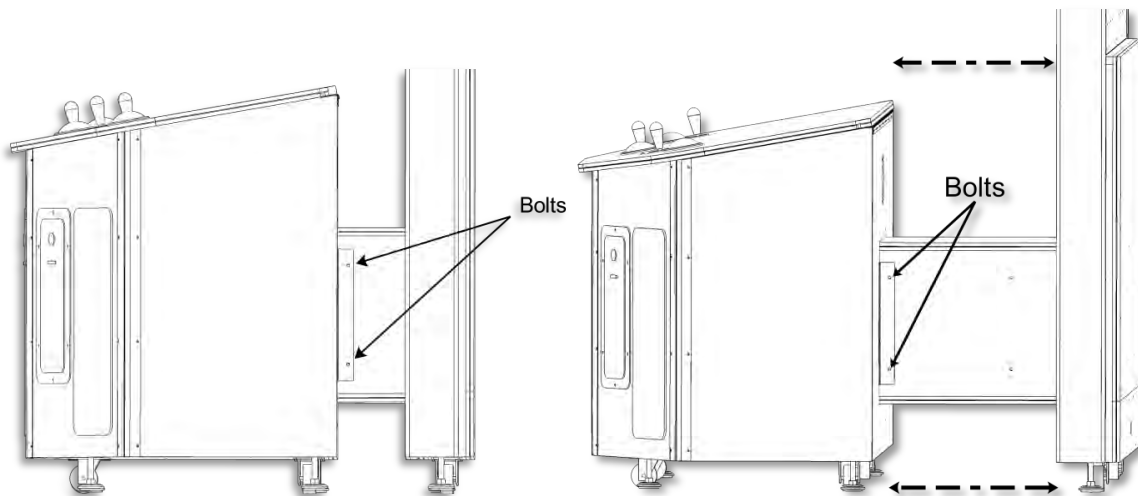
Assembling your Rampage Unit

****You need to be 2 persons to assemble the unit****

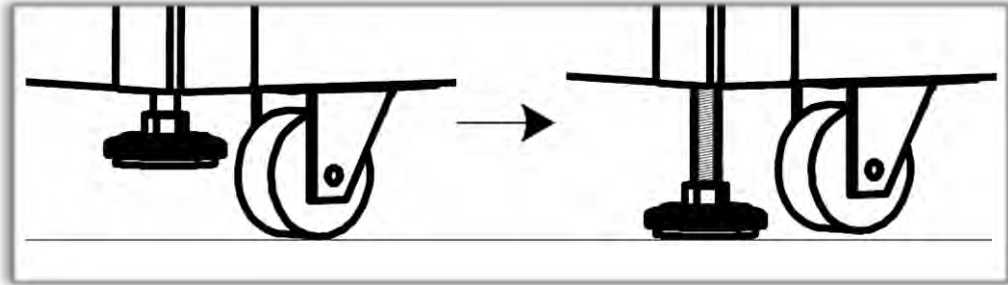
1. Carefully remove the cabinet from the shipping skid, giving you enough space.
2. Move the cabinet to the desired location.

How to slide out the Screen Module:

3. Remove the 4x bolts #10-24 1-1/4" (2x per side) holding the monitor cabinet assembly to the front cabinet assembly.
4. Slide out the 2 cabinets and align the bracket holes with the center part holes.
5. Re-insert the 4x bolts and tighten them.



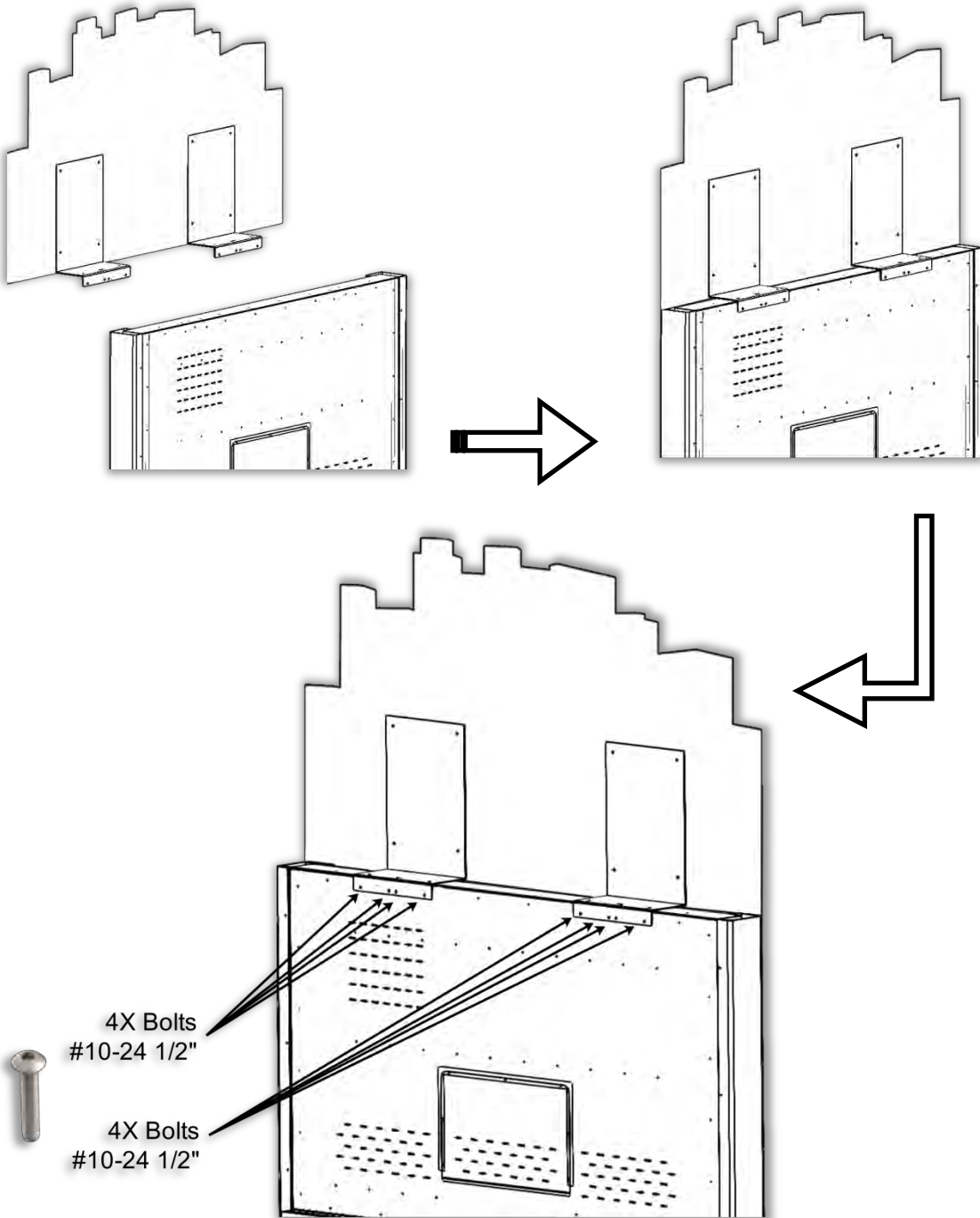
6. Lower the level adjustors until the Pivot Wheels are slightly above the floor.



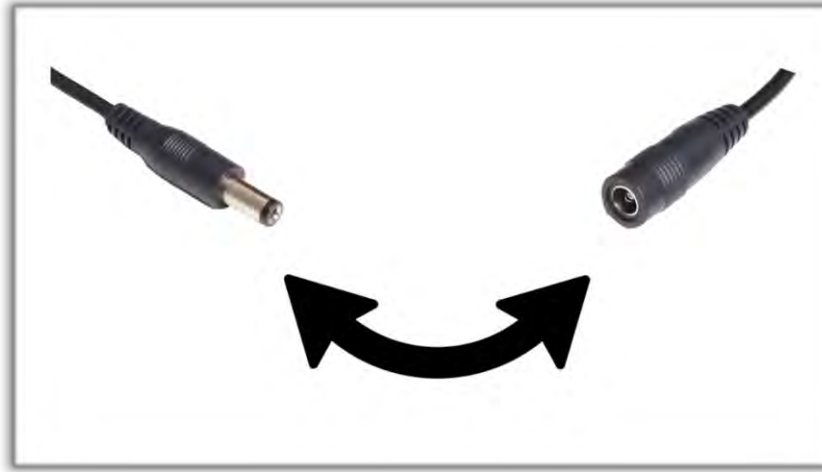
Header Assembly

*****You need to be 2 persons to install the header*****

Using a ladder, fix the header to the monitor using the 8x bolts # 10-24 1/2”.

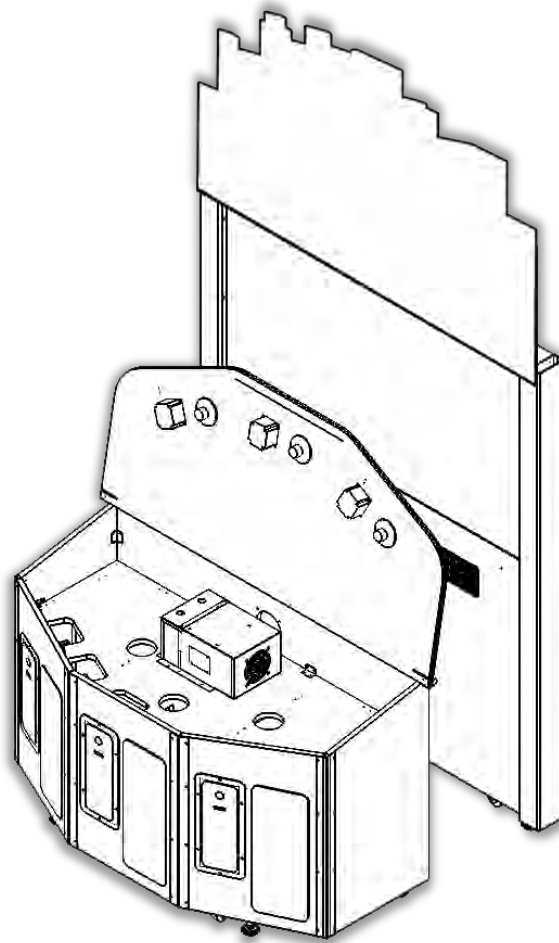
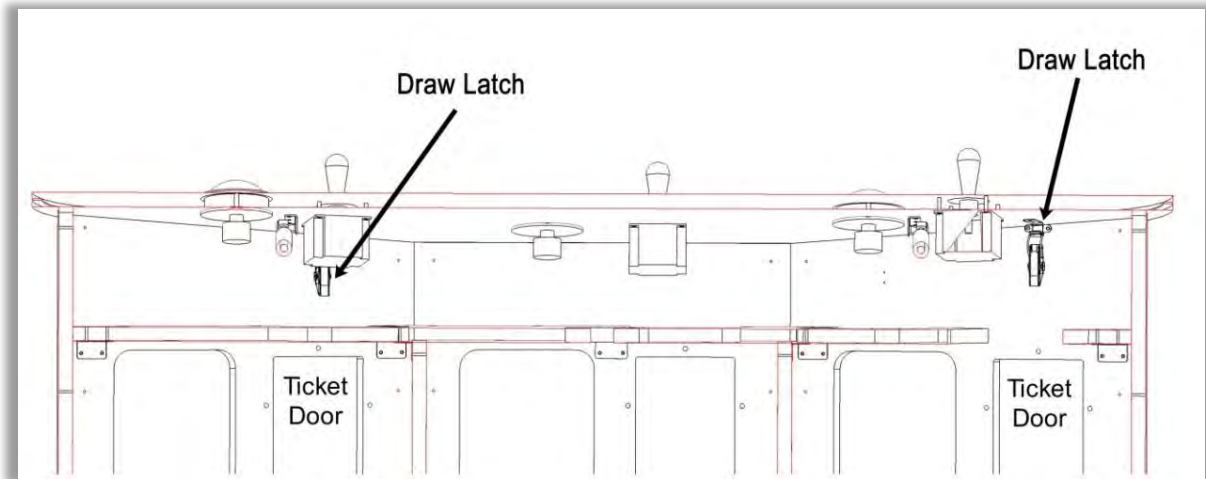


- Connect the +12V Barrel connector coming out from the monitor bezel to the header LED connector.



How to open the Dash Board:

- To open the dash and access the electronics, open the Player-1 & Player-3 ticket doors to get access to the 2 Draw Latches inside the cabinet.



Chapter 04 – Operator Menu

Operator Menu

Access the Operator Menu by pressing the Operator button located inside the drawer on the I/O board directly.

Oper: Open the Operator Menu

Up: Scroll Up & Increase Value

Down: Scroll Down & Decrease Value

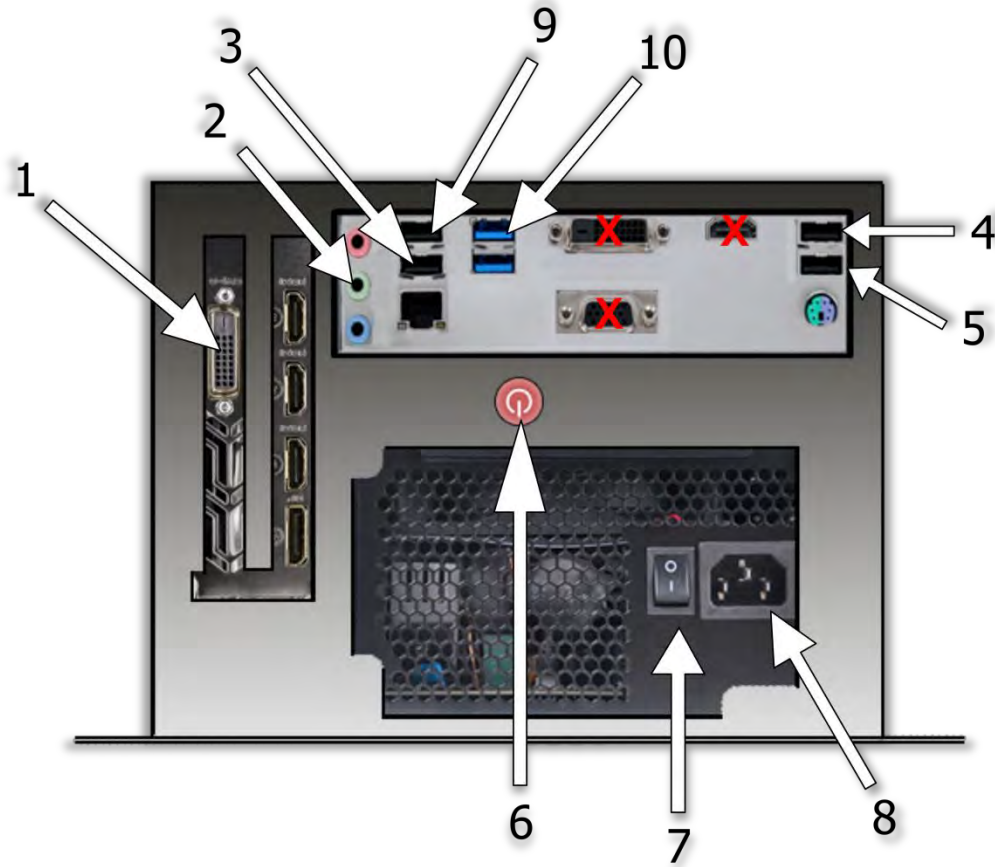
Select Button: Select/Deselect



<u>Operator Menu</u>	<u>Values</u>	<u>What It Does</u>
Credits Per Game	1 - 20	Adjusts the number of credits required to play. "0" sets the unit in free play mode.
Game Audio Volume	0 - 20	Adjusts the in-game audio volume. "0" will mute the game.
Attract Audio Volume	0 - 20	Adjusts the audio volume of the attract loop. "0" will mute the attract loop.
Redemption Mode	On / Off	Adjusts the Redemption availability.
Minimum Tickets	0 - 20	Adjusts the minimum number of tickets per game.
Ticket Value	1 - 2	Adjusts the value of physical tickets. Physical tickets are either worth "1" ticket or "2" tickets.
Point Per Tickets	10K - 1000K	Adjusts the amount of tickets given per Points (Increment per 10K).
Redemption Unit Name	Tickets / Coupons	Adjusts the in-game text accordingly
Jackpot Tickets	0 - 5000	Adjusts the number of tickets given when the Jackpot is reached.
Average Game To Win Bonus	100 - 1000	Sets how frequently the Bonus could be awarded.
New Jersey Settings	On / Off	If set to On, a message will be displayed if more than 40 credits are inserted.
Fixed Tickets	0 - 10	Adjusts the fixed number of tickets given per game. Set it to 0 to disable this option.
Clear Credits		Resets the Inserted credits to 0 if more than 40 credits are entered.
Game Stats		Shows the Stats Screen.
Resume Game		Exits the Operator Menu and returns to the game.
Quit Game		Exits the game and returns to the Windows desktop.

Chapter 05 – Service & Repair



Computer Connections



<u>No.</u>	<u>Description</u>
1.	HDMI Cable to Projector HDMI-1 Connector
2.	Audio Jack to Amplifier #1
3.	USB Port to I/O Board
4.	USB Wi-Fi Adapter
5.	USB Restore Flash Drive
6.	Power Button
7.	AC Power Switch
8.	AC Inlet Power Supply
9.	USB RGB LED Controller
10.	USB License Dongle

Troubleshooting

*** NOTE: When requesting a warranty replacement you will be asked to give the unit's serial number from the back of the unit.**

Video Troubleshooting	
No Picture or Display Problem	There might have loose or faulty connections between the monitor and the computer. Make sure the DVI cable is connected properly in the computer connector and in the monitor connector.
	Verify that the Computer is powered on. The fan on the side of the computer case should be spinning as a reference, if it's not spinning press the Power Button on the front of the computer.
Audio Troubleshooting	
Low Volume / No Sound	Increase the volume in the game by pressing the Operator Button and adjusting the volume options in the Operator Menu. You might also Quit the game to Windows desktop and increase the volume via the  Speaker icon on the bottom right of your screen.
	If the sound comes from the projector integrated speaker it needs to be changed in Windows. Quit the game to the Windows desktop. Right click on the  speaker icon and select Playback Devices. Select the Speakers and choose "Set default", then click OK.
	Verify the wirings behind the speakers and the amplifier. Verify that the 1/8" audio jack is plugged in the computer's sound input jack and that the other end RCA's is plugged in the sound amplifier.

RGB Led Troubleshooting

If the RGB LEDs in the building and the Dash are not working properly verify that the RGB LED Controller is connected on a valid COM Port.

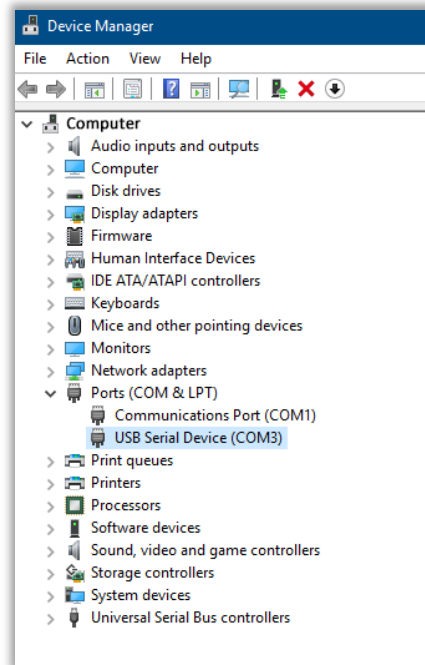
Press the Operator Button and Quit/Exit the game to Windows Desktop.

Connect a USB mouse.

Right-click on the windows flag on the bottom left corner and select Device Manager.

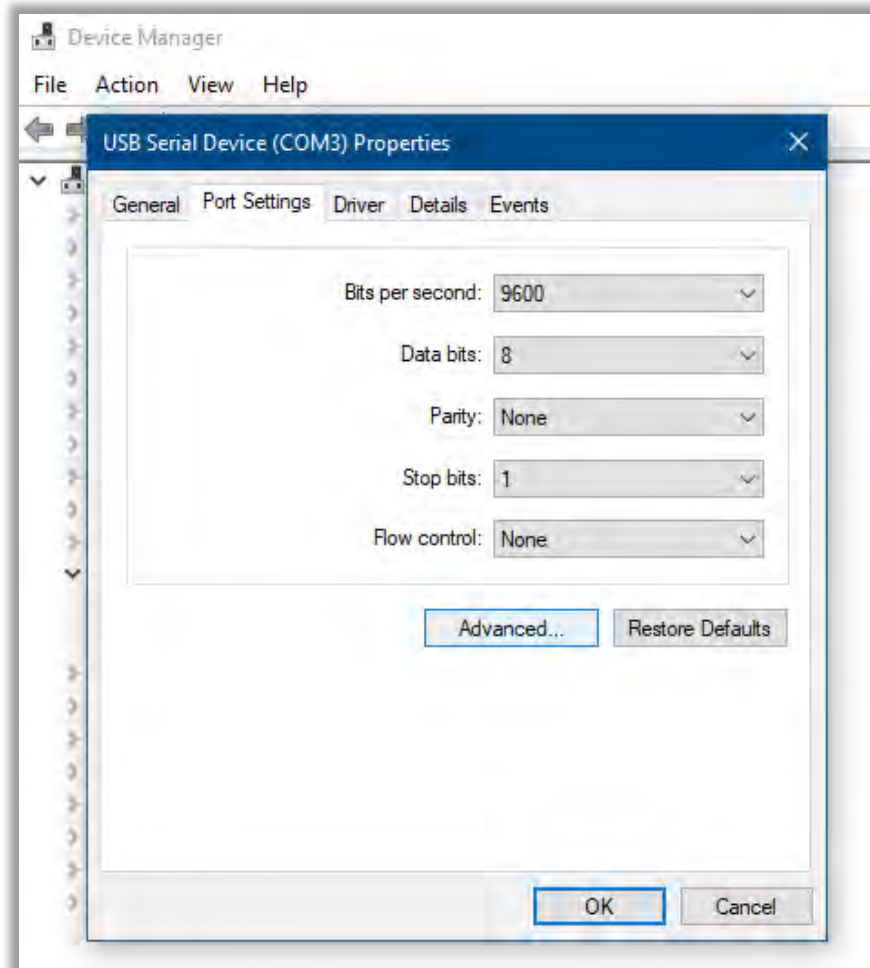


Expand the “Ports (COM & LPT)” line by clicking on the >.

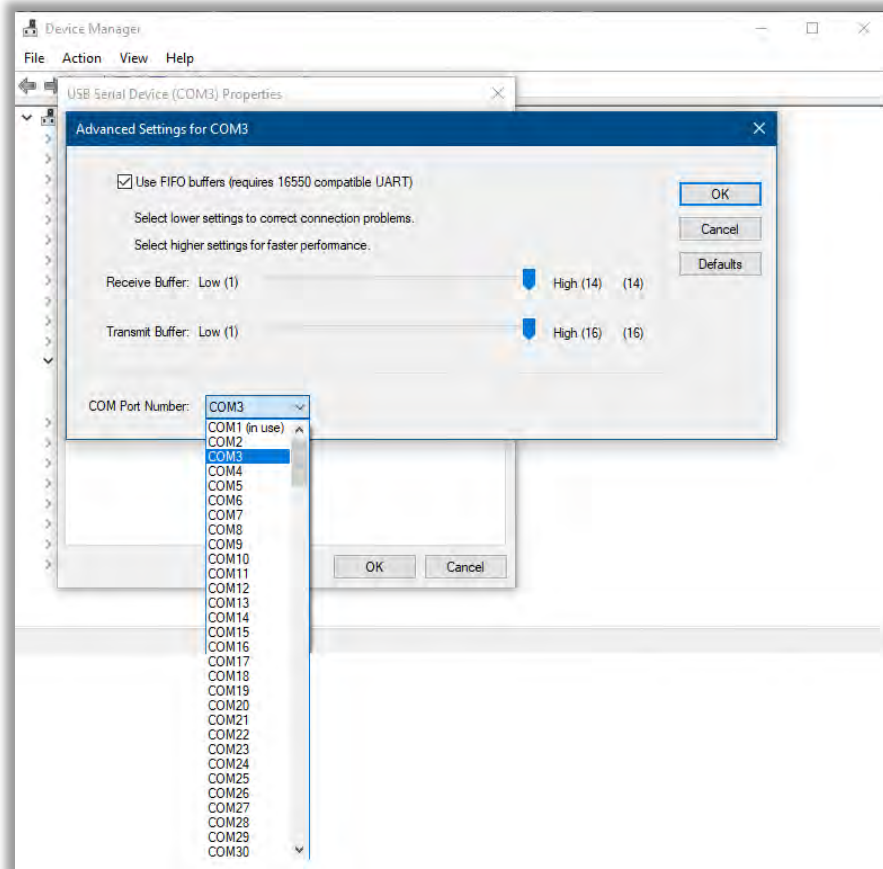


Verify that the “USB Serial Device” is set between COM2 to COM9.

If it's outside this range, double-click on it to open its properties.
Select the "Port Settings" Tab.
Click on "Advanced..."



- Click on the COM Port Number scrolling menu and select COM9.
- Click on OK.
- Click on OK again.
- Close the Device Manager window and restart Windows.



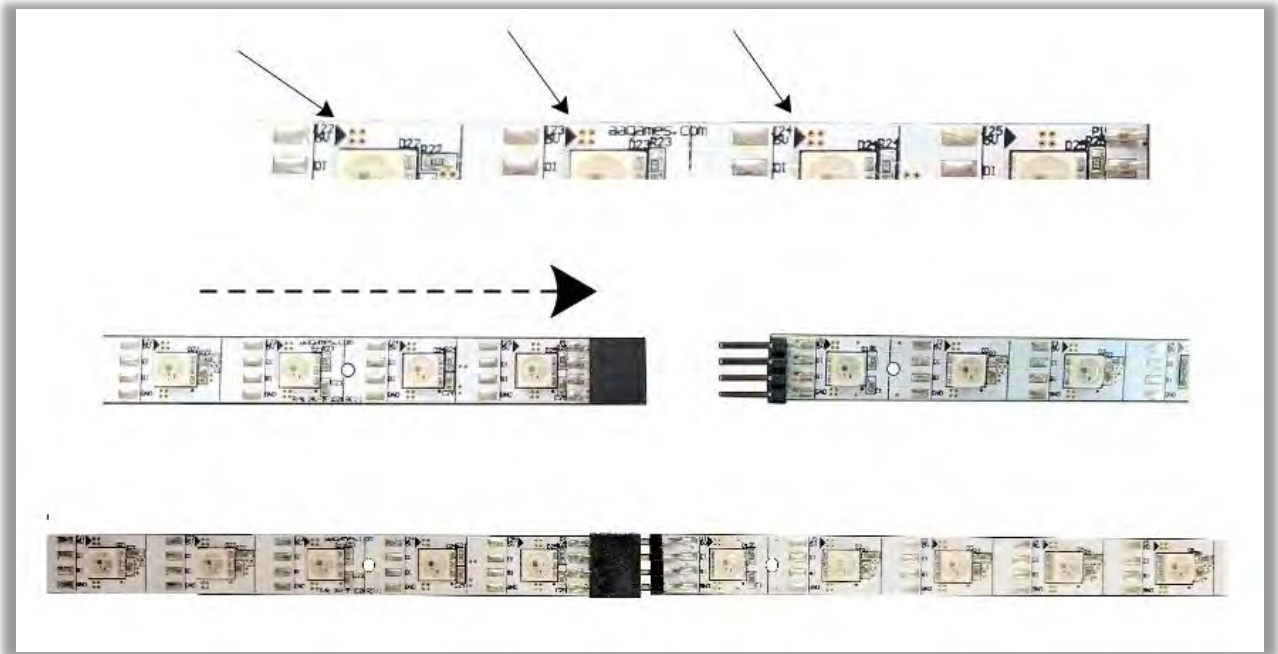
Closes all apps, turns off the PC and then turns it on again.

Restart



Replacing RGB LED PCBs

If you need to replace the building RGB LED PCBs, verify the connections so that the arrows point always in the same direction.



Wireless Internet Configuration

Your network can be configured via Ethernet cable or Wireless.

If you have an Ethernet cable available to be plugged in, insert it into the motherboard LAN RJ45 connector.

If not, here's how to configure your wireless network with your own existing Wi-Fi network.

-Start the unit.

-There will be Adrenaline Amusements wallpaper with a 150 seconds delay before the attract mode shows up. It gives enough time for a wireless network to connect.

(This delay will be present on each reboot if you don't connect your unit to the Internet).*

-Open the service door and press the Operator button.

-Choose Exit/Quit to Windows.

-Connect the provided USB hub and into it the USB keyboard and mouse.

- Open Connect to a Network by clicking the network icon (📶) in the lower right corner of the screen.

-In the list of networks, click the network you want to connect to and click connect.

-Enter your security key.

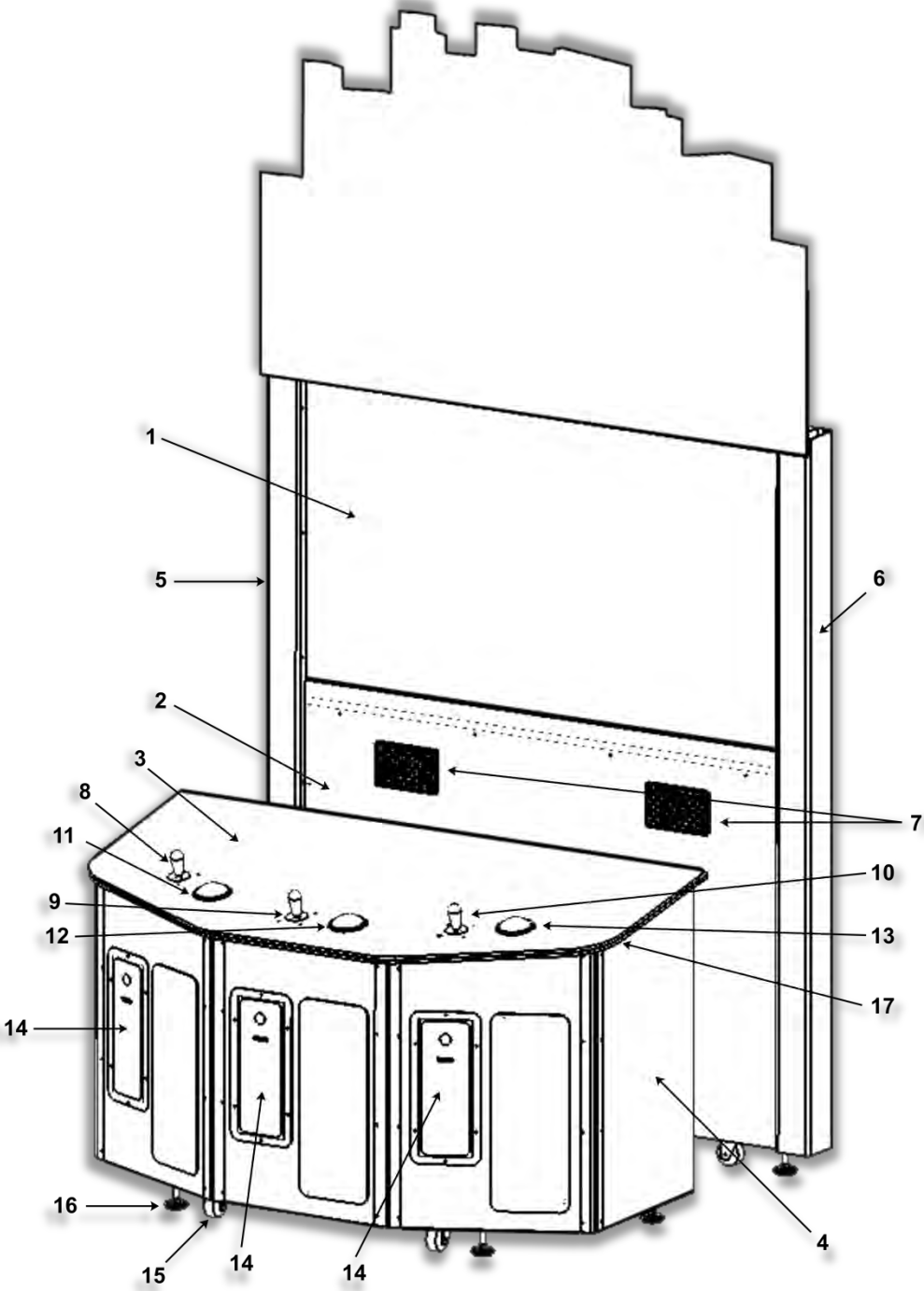
-Once connected, double-click the GameLauncher shortcut on the desktop.

Having your unit connected to the Internet includes free software live update!

*If you do not connect your unit to the Internet, you can double-click the Disable_Network shortcut on the Windows desktop to bypass the 150seconds Internet lookup delay.

Chapter 06 - Parts

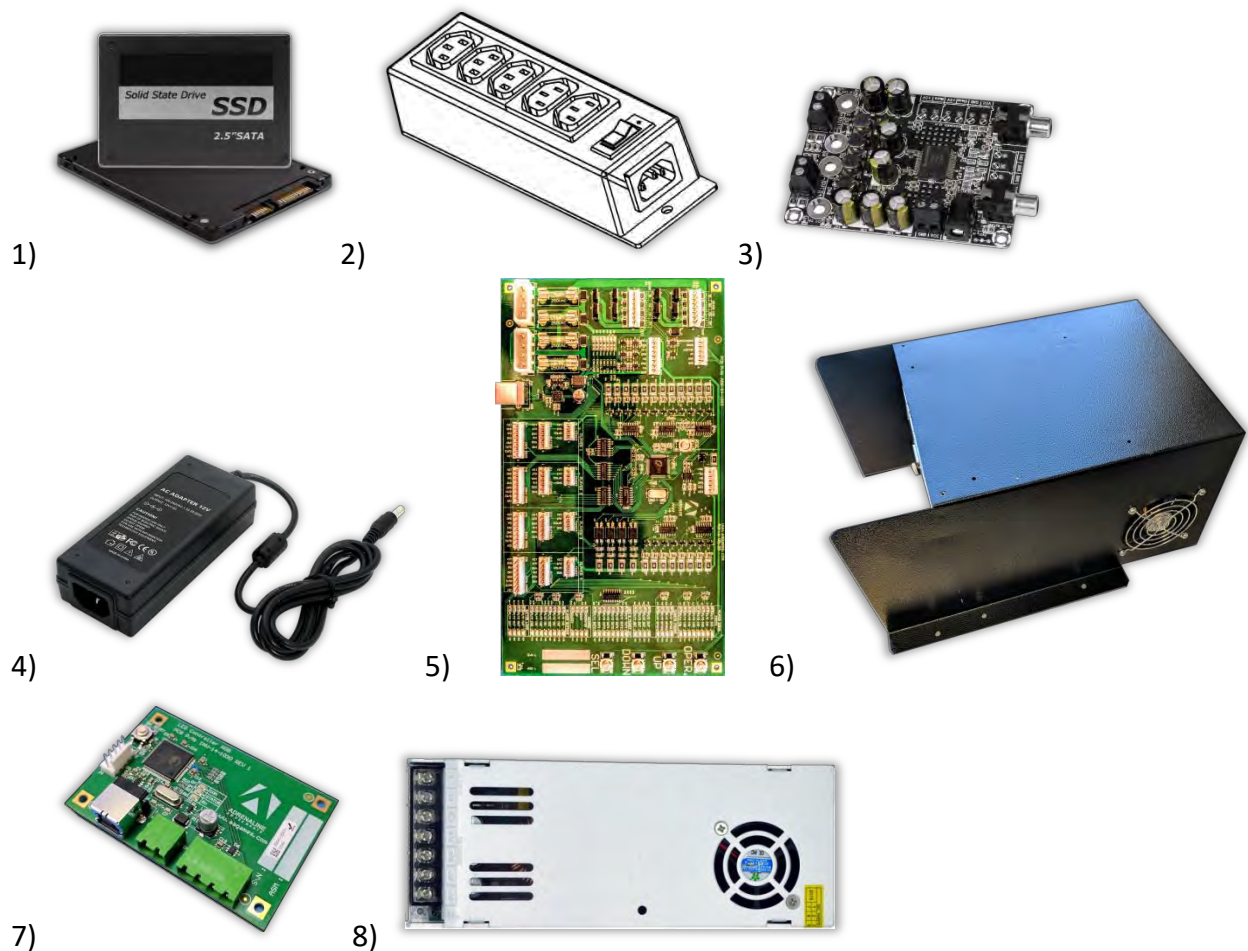
Cabinet Parts



Rampage Manual V1.0
Chapter 06 – Parts

Ref	Part Description	Part #
1	Monitor Black Frame w/ tempered glass	RAM-10-0001
2	Below Monitor PVC Buildings Print w/ Speakers Cut-out	RAM-09-0003
3	Melamine Dash w/ print	RAM-09-0004
4	Cabinet	RAM-09-0005
5	Left Side Building Assembly	RAM-09-0002-L
6	Right Side Building Assembly	RAM-09-0002-R
7	Speakers 4"	ADR-50-9986-00
8	Joystick Player 1 - Yellow	ADR-50-0111-00
9	Joystick Player 2 - Blue	ADR-50-0567-00
10	Joystick Player 3 - Clear	ADR-50-0566-00
11	Yellow Jumbo Button with microswitch	ADR-75-4L12-15ZP
12	Blue Jumbo Button with microswitch	ADR-75-L012-12
13	Red Jumbo Button with microswitch	ADR-75-L012-10
14	Ticket Dispenser Door	ADR-40-0540-00
15	Wheel General Duty Rubber Caster	INV-F25083
16	Leveling Mount	INV-62805K-39
17	Clear T-Edge LED Housing	INV-T-LED-080
	Entropy 2000 Ticket Dispenser	ADR-42-1337-00
	Ticket Bin with Level Sensor Switch	ADR-42-1015-00
	7-Digits Meter with bracket	ADR-42-08012-072
	Fan 120mm	ADR-FAN-120mm-01
	Grill 120mm	ADR-GRILLE-120MM
	Multiple-Strike Draw Latch 3-15/16" x 1-5/8"	INV-6139A270

Computer & Electronics



Ref	Part Description	Part Number
1	SSD Hard Drive preconfigured	INV-11-1027-RAM
2	Power Bar IEC5GLM	INV-05-1242
3	Sound Amplifier 2X15W	INV-14-0005
4	+12V/5A Power Supply for Sound Amplifiers	INV-14-0006
5	I/O Board – 4 Players/Motors – Ver. 5.0	ADR-04-1003
6	Computer	ADR-11-1017
7	RGB LED Controller	INV-14-1030
8	Power Supply +5V / 300W	SF-14-0010

Header & LEDs



Part Description	Part Number
Header Rampage	RAM-09-0001
Building RGB LEDs PCB	INV-14-1028-1029
Dash T-Edge RGB LEDs Strip	INV-14-1032

Cabling

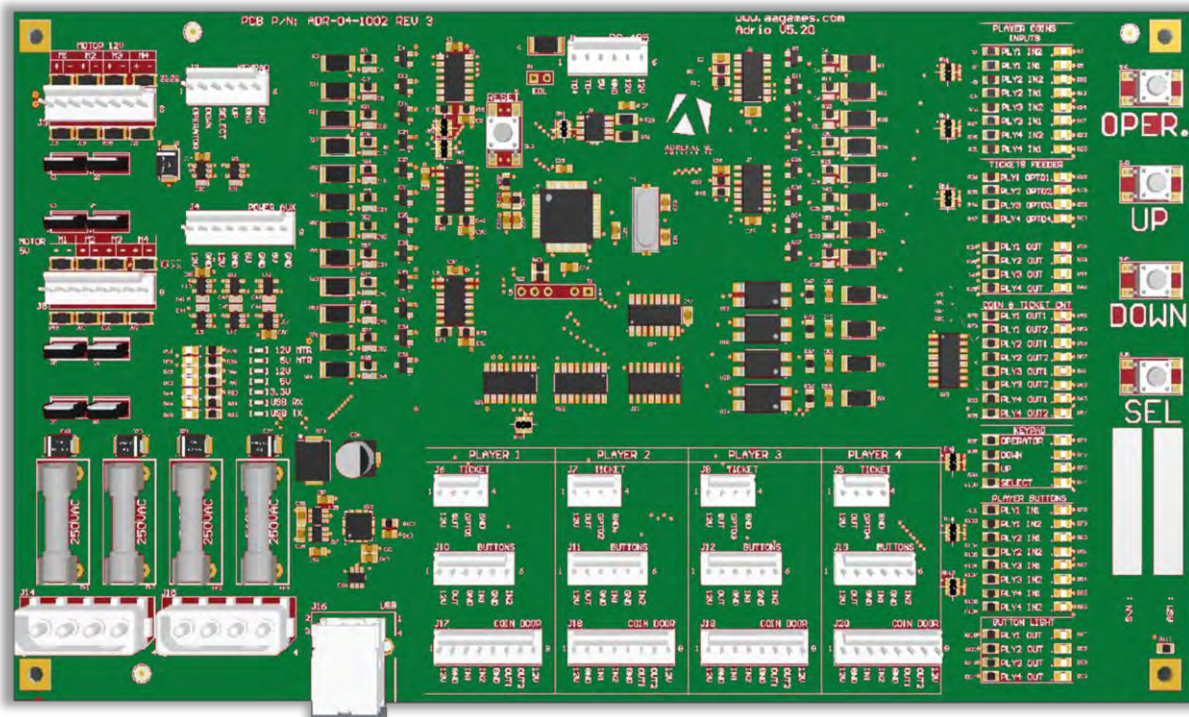
Part Description	Part Number
DVI-D Male to DVI-D Male Video Cable, 10'	INV-DVI-DD1-10
Audio Cable 3.5mm Male To 2x RCA Male, 6'	INV-35mm-RCAE-06
USB "AB" cable, 3'	INV-USB-AB1-03
Power Cord IEC-C13 To IEC-C14, 18AWG, 2'	INV-PW-100-02
Power Cord IEC-C13 To IEC-C14, 18AWG, 3'	INV-PW-100-03
Power Cord IEC-C13 to IEC-C14, 18AWG, 6'	INV-PW-100-06
Power Cord IEC-C13 to IEC-C14, 18AWG, 12'	INV-PW-100-12
Power Cord Wall To Unit, 14AWG, 6'	INV-PW-105C-06
Power Cord IEC-C14 to IEC-C7, 18AWG, 3'	INV-PW-117-03

Wiring Harness

Part Description	Part Number
Harness for Power LED Controller	RAM-03-0001
Harness for Data, LED Side Screen	RAM-03-0002
Harness for Power, LED Side Screen	RAM-03-0003
Harness for RGB LED Dash	RAM-03-0004
Harness for Card Reader	RAM-03-0005
Harness for Ticket Dispenser	FT-03-4030
Harness for Ticket, Player 3	RAM-03-0006
Harness for Joysticks	RAM-03-0007
Harness for Buttons	RAM-03-0008
Harness for Power - I/O Board	RAM-03-0009
Harness for Power Header	RAM-03-0010
Harness for Speakers	RAM-03-0011
Harness for PC Box	INV-03-4080

Chapter 07 – Diagrams & Schematics

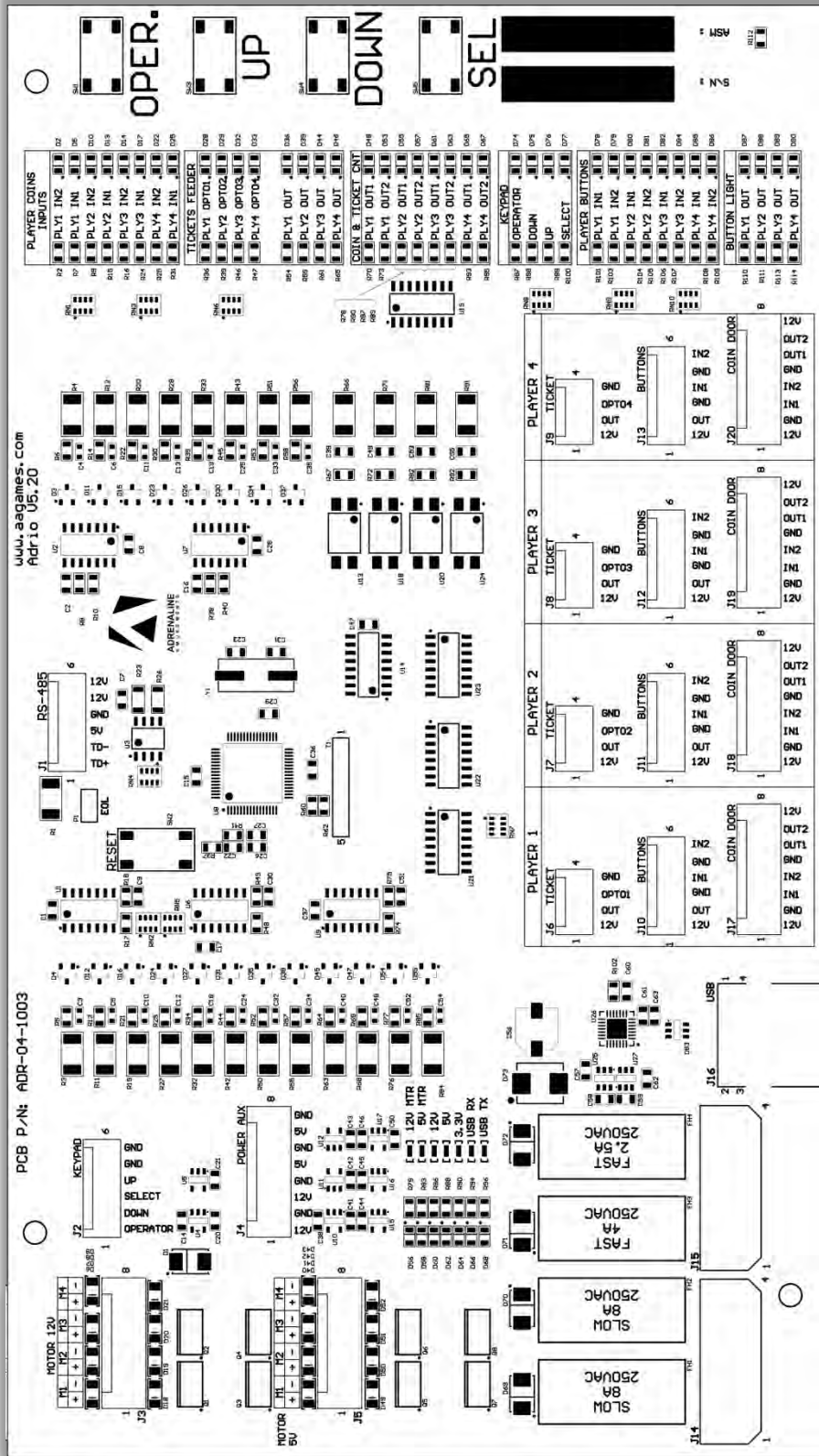
I/O Board ADR-04-1003



<u>J1</u>	<u>J2</u>	<u>J3</u>	<u>J4</u>
No Use	<u>Keypad</u> 1. (White) Oper. 2. (White) Down 3. (Blue) Select 4. (Red) Up 5. Not Connected 6. (Black) GND	No Use	<u>Power Aux.</u> 1. (Red) +12V 2. (Black) GND 3. Not Connected 4. Not Connected 5. Not Connected 6. Not Connected 7. Not Connected 8. Not Connected
<u>J5</u>	<u>J6</u>	<u>J7</u>	<u>J8</u>
No Use	<u>Ticket Dispenser Player 1</u> 1. (White) +12V 2. (Yellow) OUT 3. (Orange) OPTO1 4. (Black) GND	<u>Ticket Dispenser Player 2</u> 1. (Red) +12V 2. (Blue) OUT 3. (Green) OPTO1 4. (Brown) GND	<u>Ticket Dispenser Player 3</u> 1. (Red) +12V 2. (Blue) OUT 3. (Green) OPTO1 4. (Brown) GND

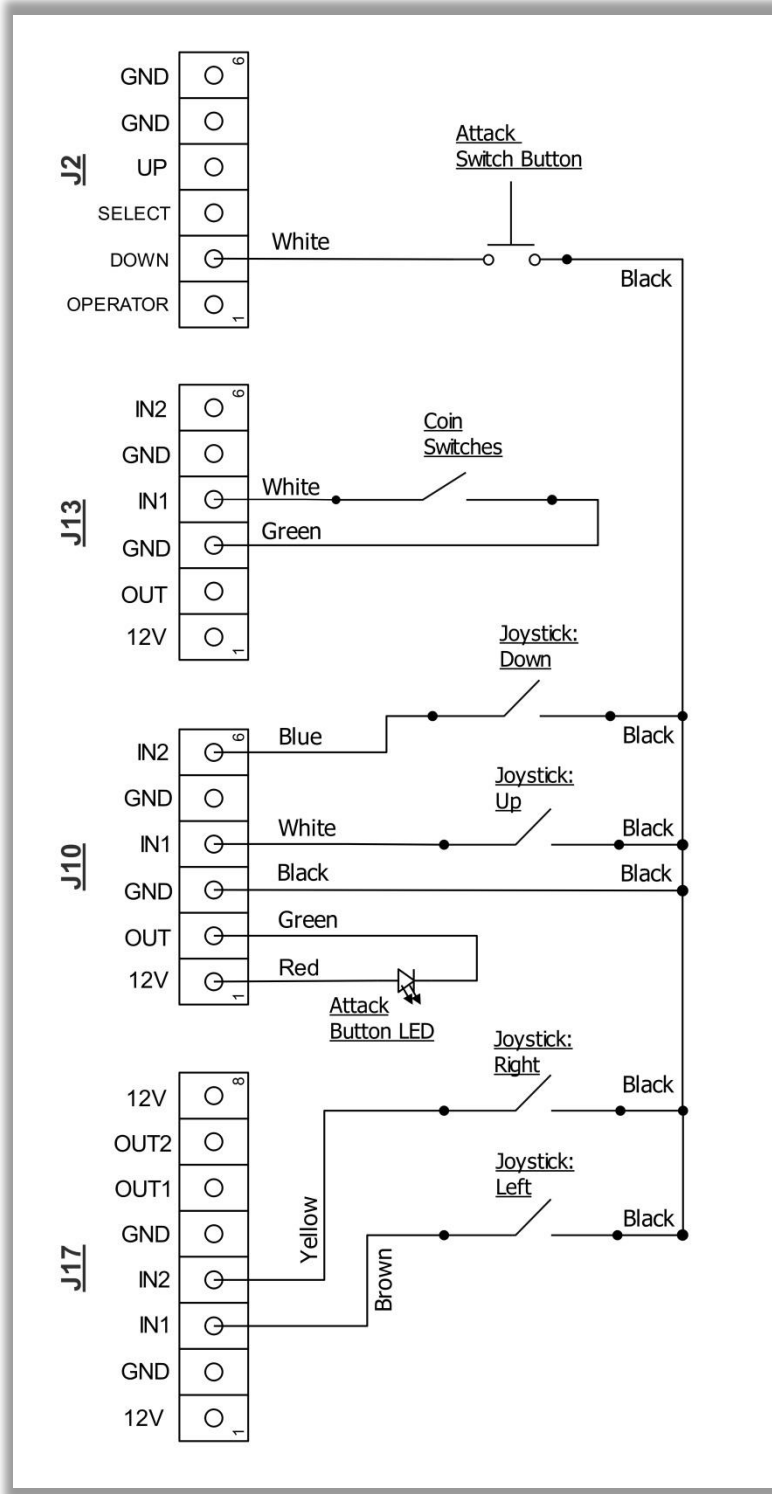
<u>J9</u>	<u>J10</u>	<u>J11</u>	<u>J12</u>
<u>No Use</u>	<u>Player 1- Buttons</u> 1. (Red) +12V 2. (Green) OUT 3. (Black) GND 4. (White) IN1 5. Not Connected 6. (Blue) IN2	<u>Player 2- Buttons</u> 1. (Red) +12V 2. (Green) OUT 3. (Black) GND 4. (White) IN1 5. Not Connected 6. (Blue) IN2	<u>Player 3- Buttons</u> 1. (Red) +12V 2. (Green) OUT 3. (Black) GND 4. (White) IN1 5. Not Connected 6. (Blue) IN2
<u>J13</u>	<u>J14</u>	<u>J15</u>	<u>J16</u>
<u>PLYR-1 & PLYR-2 Coins</u> 1. Not Connected 2. Not Connected 3. (Green) GND 4. (White) IN1 5. (Brown) GND 6. (Blue) IN2	<u>No Use</u>	<u>5V/12V Input DC</u>	<u>USB To Computer</u>
<u>J17</u>	<u>J18</u>	<u>J19</u>	<u>J20</u>
<u>Player 1- Buttons</u> 1. Not Connected 2. Not Connected 3. (Brown) IN1 4. (Yellow) IN2 5. Not Connected 6. Not Connected 7. Not Connected 8. Not Connected	<u>Player 2- Buttons</u> 1. Not Connected 2. Not Connected 3. (Brown) IN1 4. (Yellow) IN2 5. Not Connected 6. Not Connected 7. Not Connected 8. Not Connected	<u>Player 3- Buttons</u> 1. Not Connected 2. Not Connected 3. (Brown) IN1 4. (Yellow) IN2 5. Not Connected 6. Not Connected 7. Not Connected 8. Not Connected	<u>PLYR-3 Coin & Meters</u> 1. Not Connected 2. (Black) GND 3. (Red) IN1 4. Not Connected 5. Not Connected 6. (Brown) OUT1 7. (Blue) OUT2 8. (Green) +12V

Rampage Manual V1.0
Chapter 07 – Diagrams & Schematics

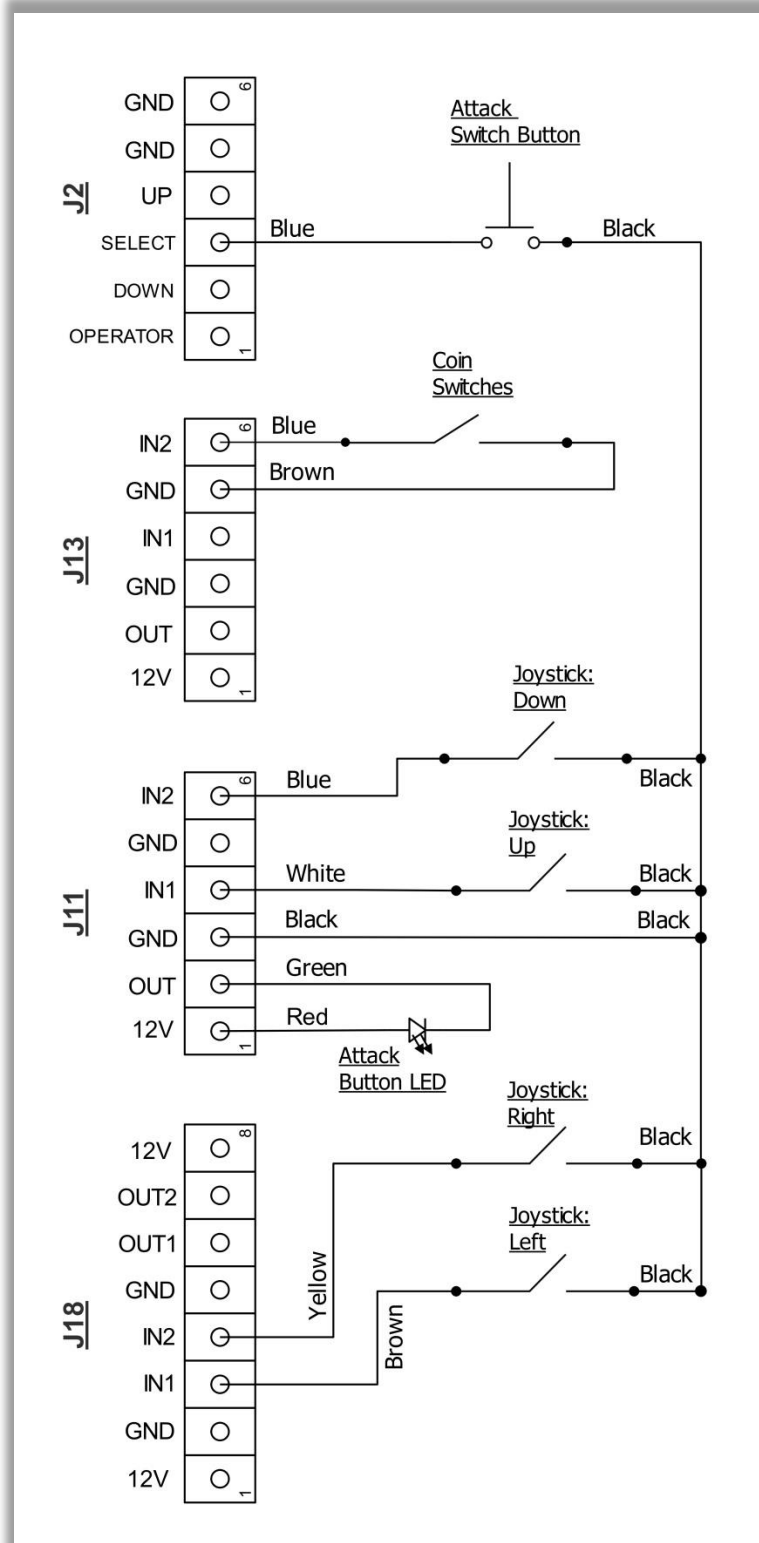


I/O Board - Schematics Wiring

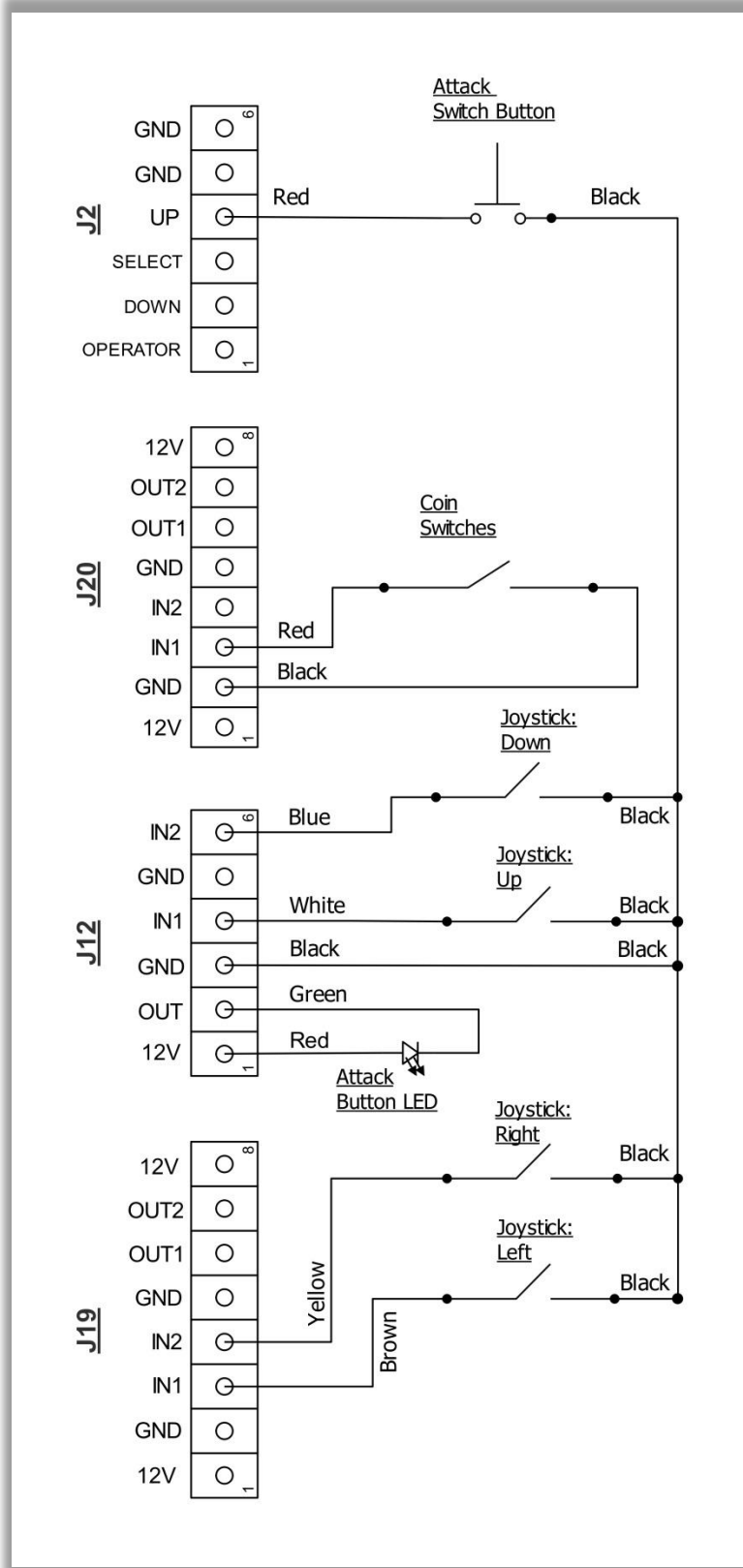
Player 1



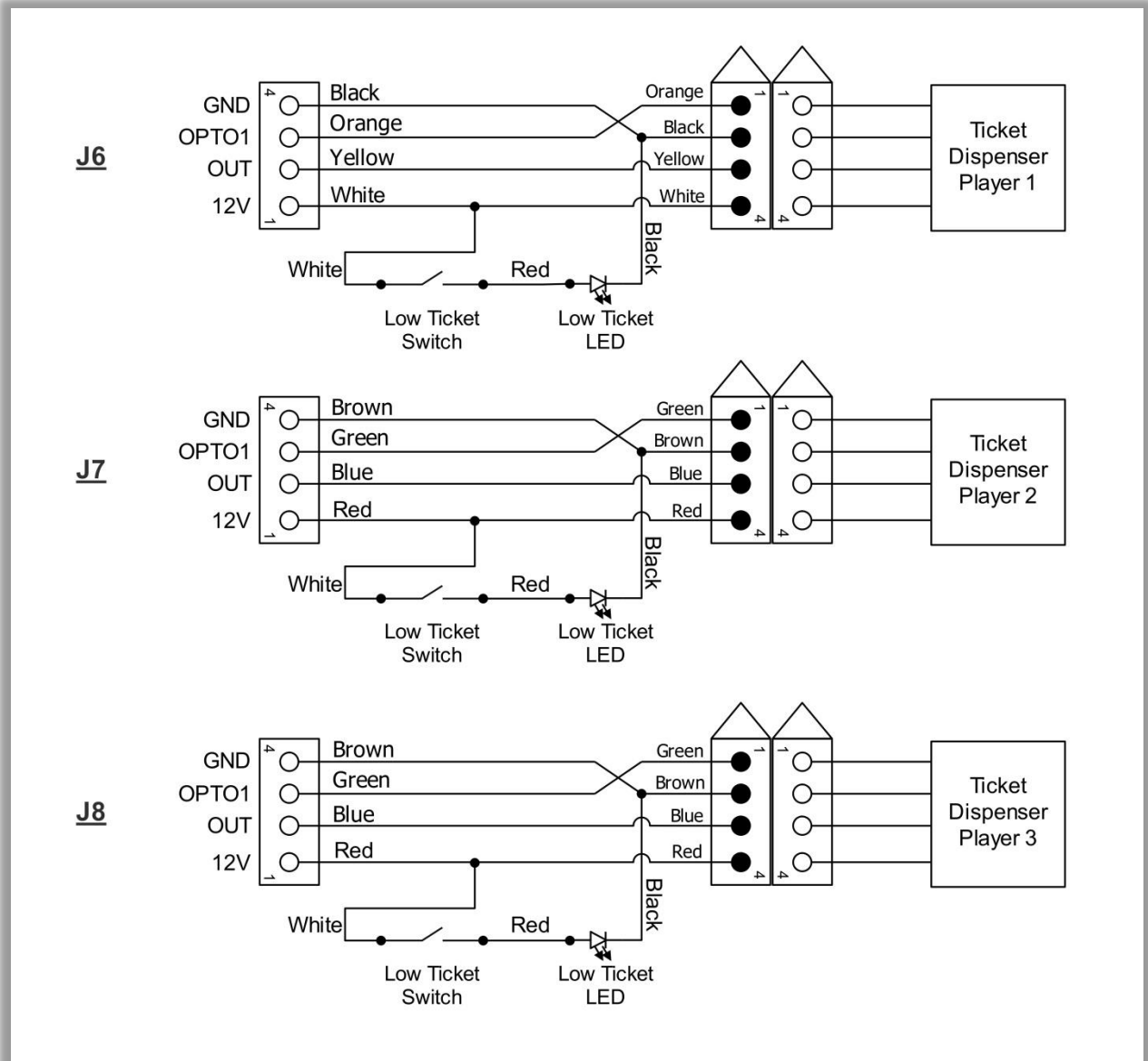
Player 2



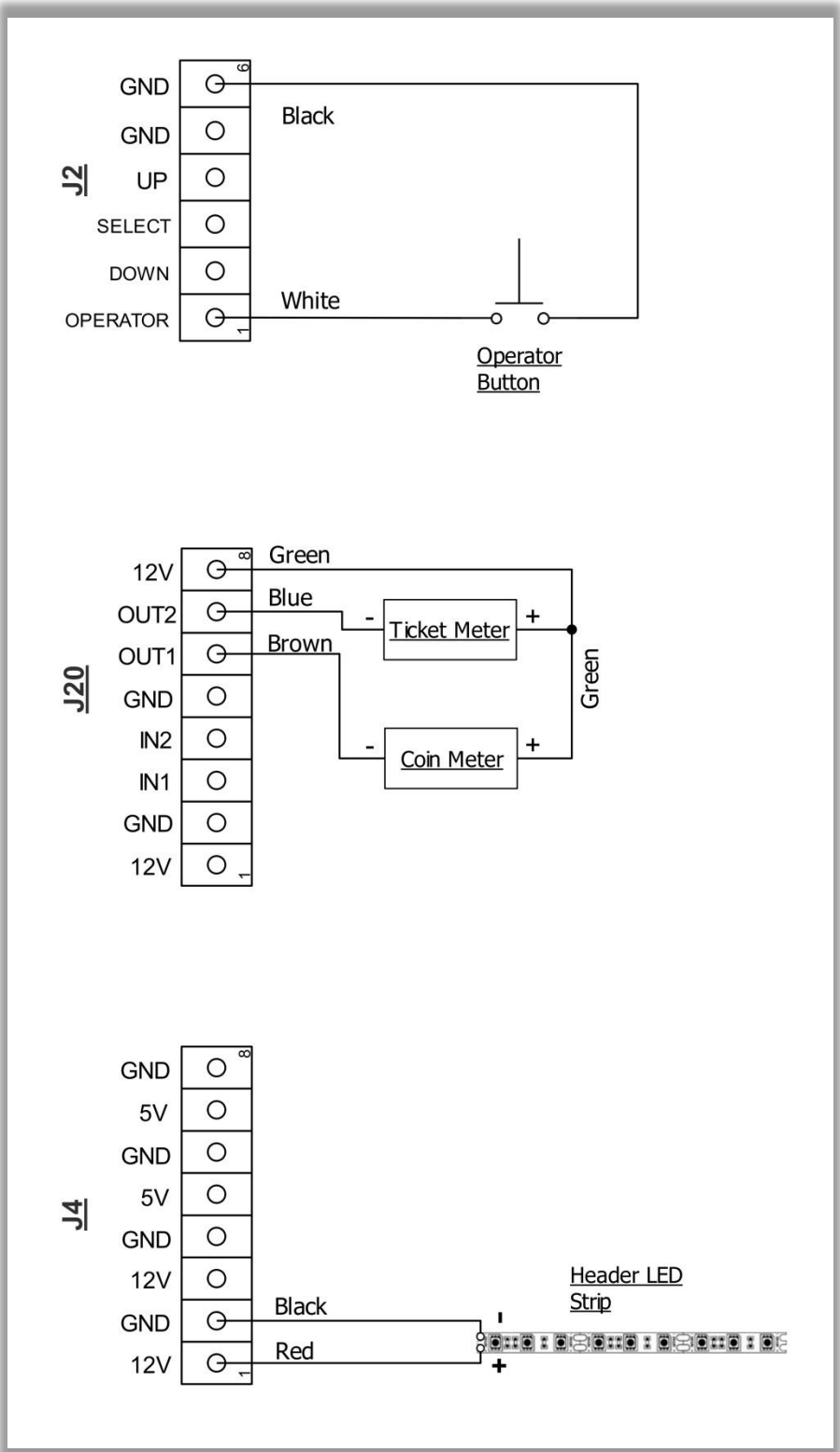
Player 3



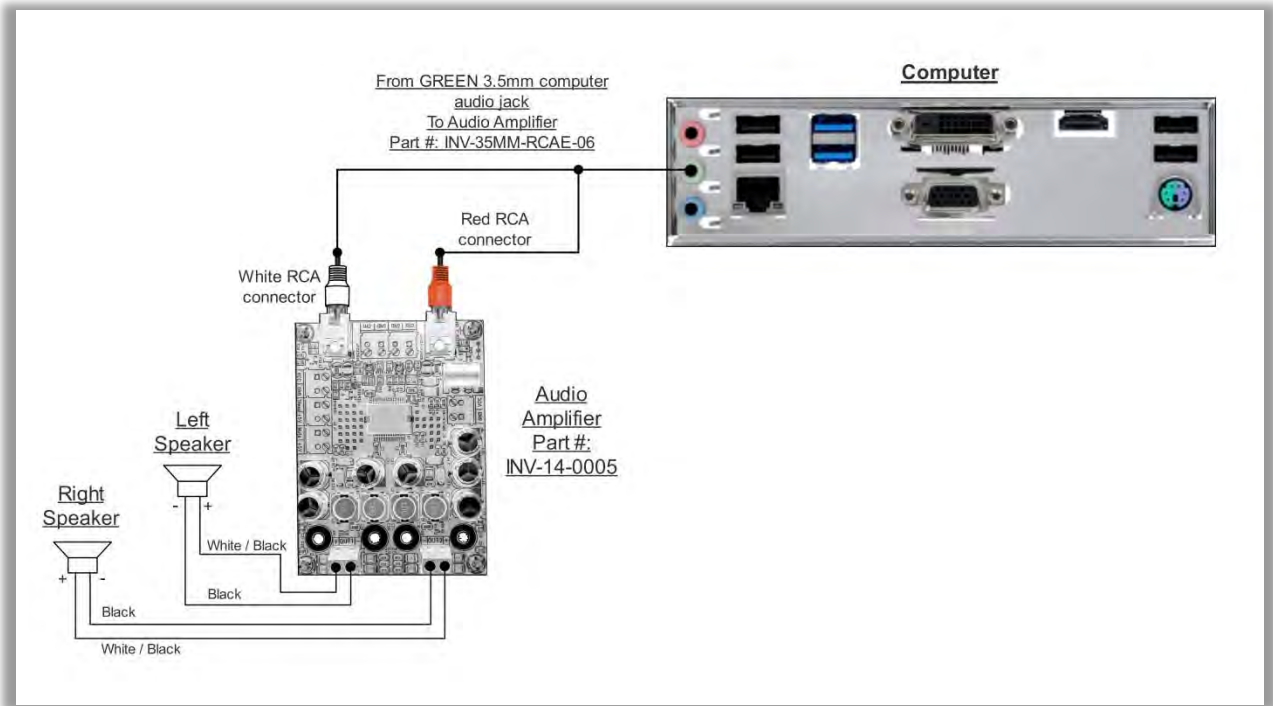
Tickets Wiring



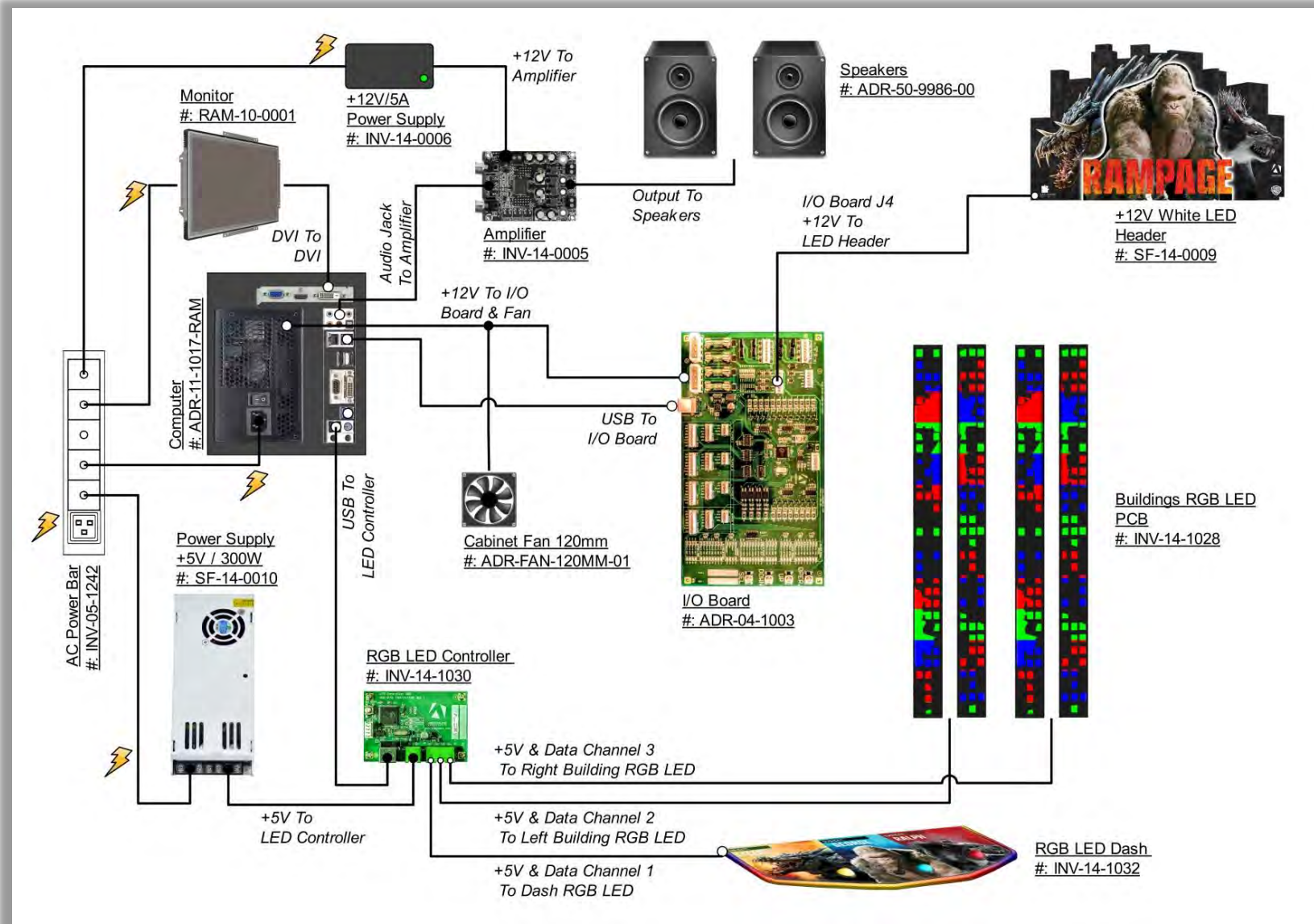
Meters - Operator Button - Header LED Power



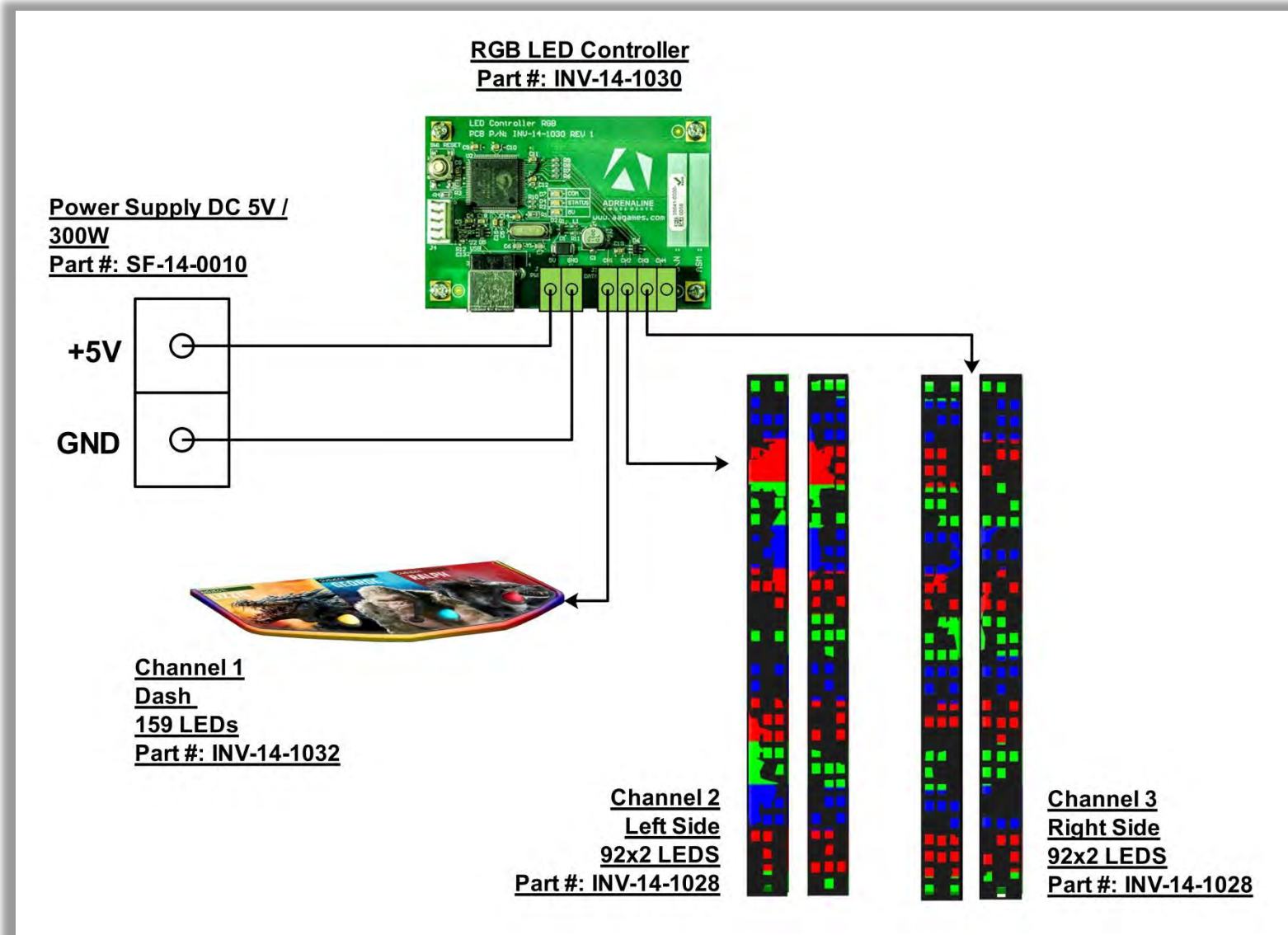
Speakers Wiring Colors



Power Distribution Schematics



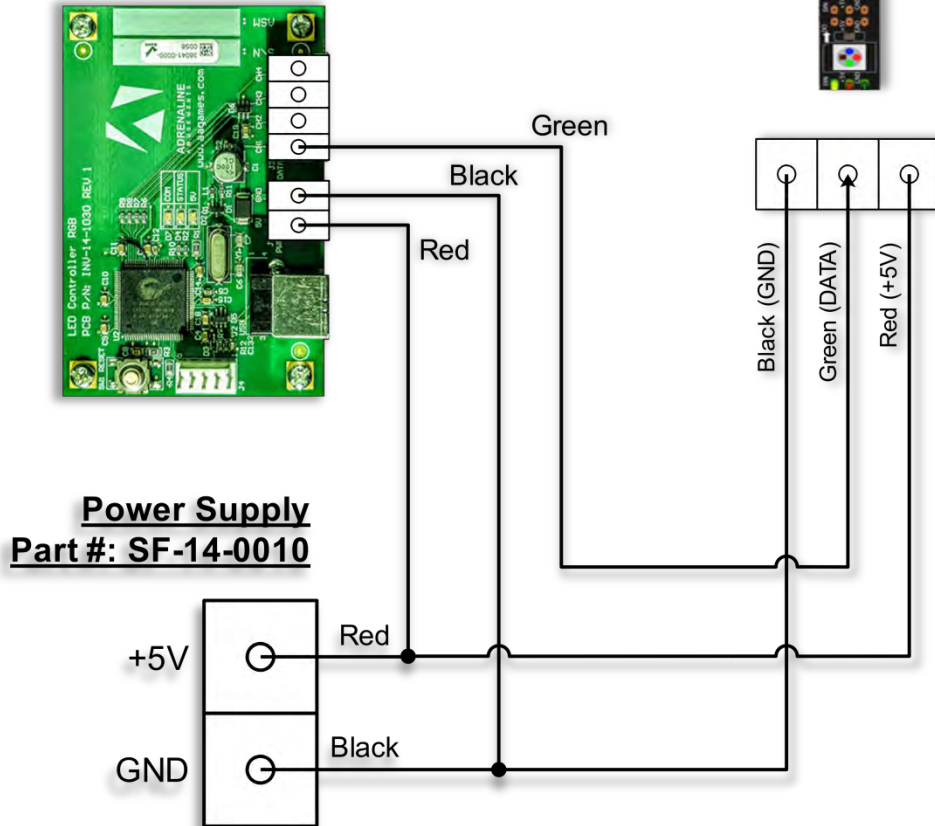
RGB LED Schematics



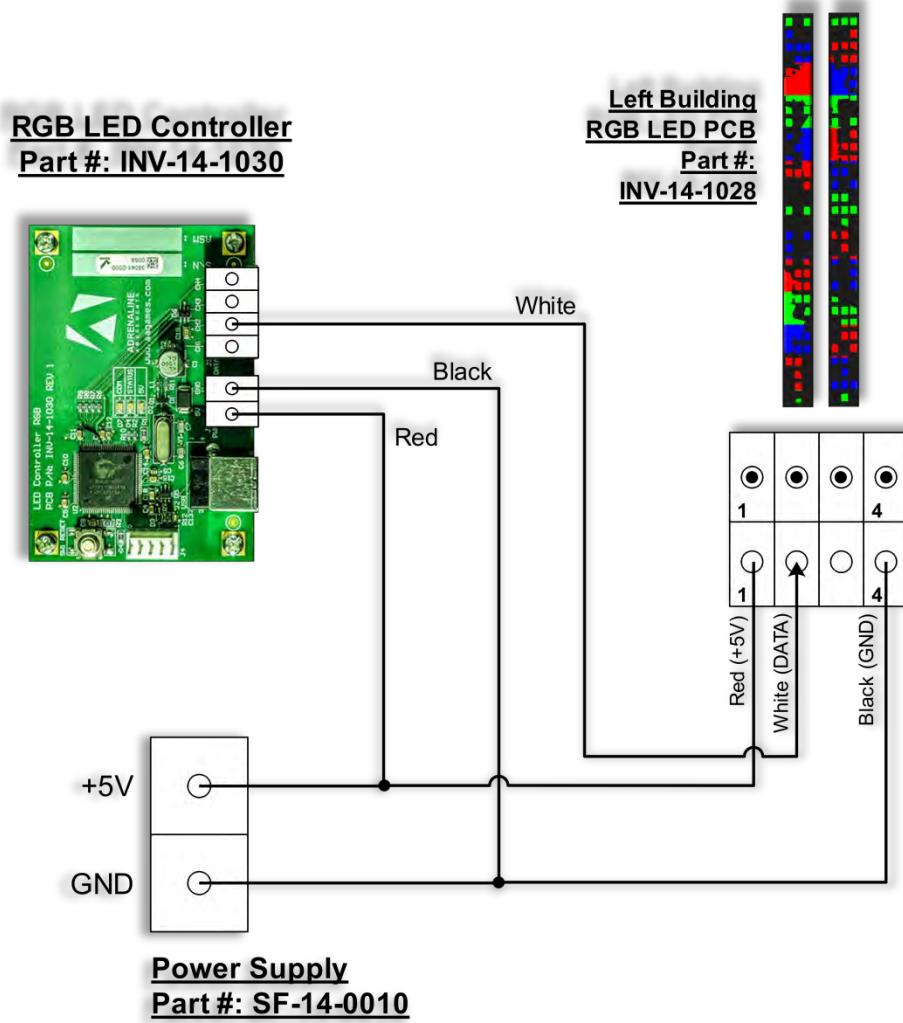
RGB LED Controller Channel 1

Dash RGB LEDs
Part #: INV-14-1032

RGB LED Controller
Part #: INV-14-1030



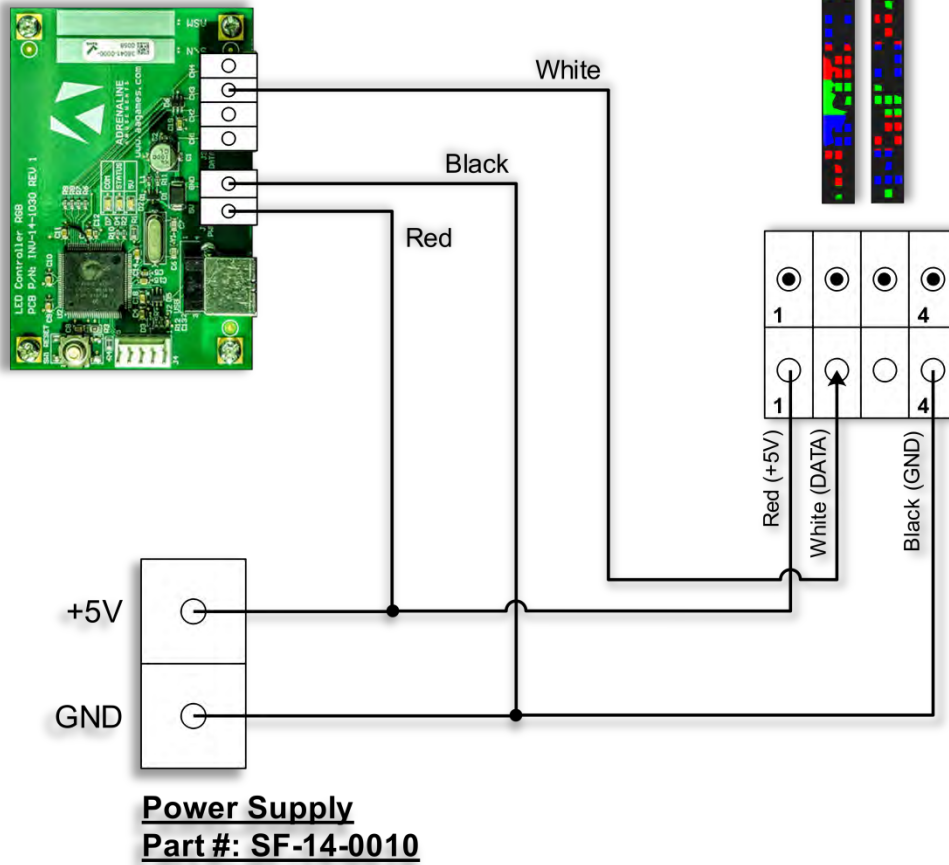
RGB LED Controller Channel 2



RGB LED Controller Channel 3

RGB LED Controller
Part #: INV-14-1030

Right Building
RGB LED PCB
Part #:
INV-14-1028



Chapter 08 – Software Recovery

If your unit software needs to be restored please follow those instructions.

- Connect a USB keyboard to the motherboard.
- Connect the provided USB Recovery flash disk is in a ***Black*** USB port.
- Power on the unit and press F8 on the keyboard to display the boot menu.
- Choose the *UEFI: USB device ~16GB*

The process takes 25-30 minutes and the unit will reboot back in the game at the end. The Wireless credentials will need to be re-entered and Operator settings will be back at the default ones.

Chapter 09 – Card Reader

Configure your Operator settings as seen in Chapter 04.

Embed System

If you are using an Embed system, you need to connect your harnesses to Adrenaline Amusements I/O board & harnesses. You should refer to the Embed instructions manual for wiring pin-out.

The typical Embed settings are *Standard* except:

- Ticket Mech Type: Dumb DC
- Drive Polarity: Positive
- Notch Polarity: Negative
- Game ticket notch width = 10
- Game ticket notch spacing = 15
- Game Drive Threshold = 1.5V
- Notch Pulse = 60ms
- Ticket Space = 240ms
- Drive Debounce = 40ms



Limited Warranty Policies

Customers must provide the unit serial number when claiming any warranty request.

Adrenaline Amusements (AAGames) warrants this Arcade unit (Including accessories) against defects in material or workmanship as follows:

This unit has 1 year warranty against defective hardware from date of delivery.

Other than abuse or improper servicing, Adrenaline Amusements covers at no charge the replacement parts including standard shipping.

Customers have 30 days from delivery date to return back the defective equipment at their fees or they will be billed automatically.

Improper servicing or abuse will VOID existing warranties.

All warranty request needs to be validate with our technical support department.

After the 1 year warranty, Adrenaline Amusements offers repairs & sales services options. Please contact the technical support department for information.

Adrenaline Amusements
1150 rue Levis, Suite 302
Terrebonne, QC
J6W5S6 Canada
+1.450.824.1671

