



Flying Tickets 42"

FTM-42-1001



ADRENALINE
aagames.com

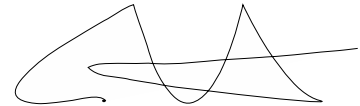
Operation & Service Manual

Version 2.0

*** Read this manual before use**

General Remark

If you encounter any difficulties or if you need support on how to update and/ or install your Flying Tickets product, we invite you to contact your local distributor or reach us at support@aagames.com or by calling our support line +1-450-824-1671



Adrenaline Amusements Team

Adrenaline Amusements
1150 Levis, Suite 302
Terrebonne, Qc
Canada
J6W 5S6

Table of Contents

Contents	
General Remark	2
Table of Contents	3
Chapter 01 - Preface	5
Precaution for Game Operation.....	5
Safety.....	6
Environmental Conditions.....	6
Chapter 02 - Game Features	7
How to Play	7
Chapter 3 – Unit Features	8
Hardware Features.....	8
Cabinet Facts.....	8
Voltage	8
Chapter 04 – Operator Menu	9
Operator Menu	9
Chapter 05 - Service & Repair	11
Computer Connections	11
Troubleshooting	12
Video Troubleshooting.....	12
Audio Troubleshooting	13
Chapter 06 - Parts	16
Cabinet Parts	16
Cash Box Parts.....	17
Computer & Electronics	18
Decal Prints.....	19
Header Parts.....	20

Cabling.....	21
Wiring Harness	21
Computer Parts	21
Monitor Parts	21
Chapter 07 – Diagrams & Schematics	22
IO Board Wiring Diagram	23
Chapter 08 – Software Recovery	26
Chapter 09 – Card Reader	27
Embed System.....	28
Limited Warranty Policies	29

Chapter 01 - Preface

Please read this page before preparing your Flying Tickets product for game play.

The following safety instructions apply to all game operators and service personnel. Specific warnings and cautions will be included throughout this manual.

Use the following safety guidelines to help protect the system from potential damage and to ensure your personal safety:

- Electronic components in the game cabinet run on 110V AC 60Hz (220V/ 50Hz in most of Europe, the Middle East and the Far East delivered units).
- To help prevent electric shock, plug the system into a properly grounded power source. These cables are equipped with 3-prong plugs to help ensure proper grounding. Do not use adapter plugs or remove the grounding prong from a cable. If you must use an extension cable, use a 3-wire cable with properly grounded plugs.
- To help protect your system from sudden increases and decreases in electrical power, use a surge suppressor, line conditioner or Uninterruptible Power Supply (UPS).
- Be sure nothing rests on the system's cables and that the cables are not located where they can be stepped on or tripped over.
- Keep your system far away from radiators and other heat sources.
- Do not block cooling vents.

Precaution for Game Operation

Adrenaline Amusements Inc. assumes no liability for injuries incurred while playing our games.

Operators should be aware that certain health and physical conditions may make people susceptible to injury when playing video games.

Safety



To avoid electrical shock, unplug the cabinet before performing installation or service procedures.

If a power cord is damaged, it must be replaced by the equivalent power cord available from your distributor.



Adrenaline Amusement Inc. assumes no liability for any damages or injuries incurred while setting up or servicing the cabinet. Only qualified service personnel should perform installation or service procedures.

Environmental Conditions

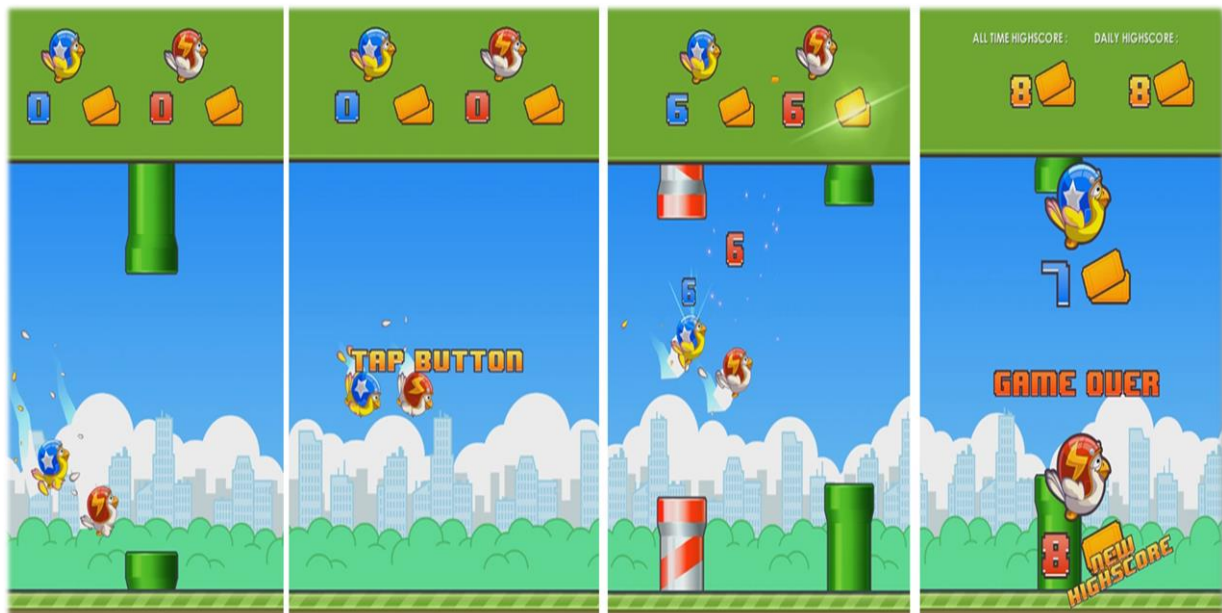
Cabinet is intended for indoor use only. Be sure to keep the cabinet dry and maintain operating temperatures of 59° - 86° (15° - 30°C).

Chapter 02 - Game Features

Win a lot of tickets!

How to Play

- Tap the button to "flap" your bird through the pipes.
- The green pipes worth 1 ticket, the red/white pipes worth 5 tickets.
- 100% Skill game.
- Challenge your friends; 2 player game play.
- Skill Bonus; beat the target score and win a bonus of 100 to 1000 tickets

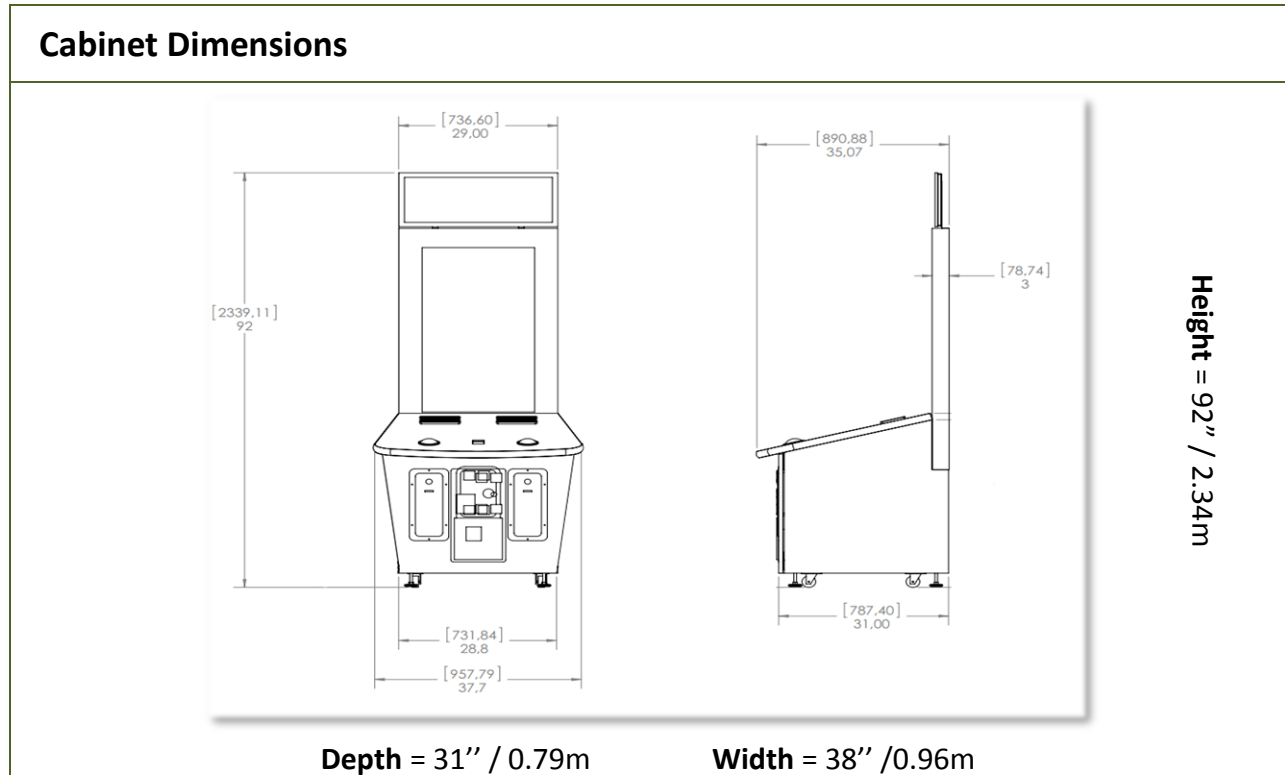


Chapter 3 – Unit Features

Hardware Features

- 2 Players Game
- Dual Ticket Dispenser

Cabinet Facts



Shipping Dimensions		
Width = 43" / 1.09m	Depth = 43" / 1.09m	Height = 90" / 2.28m
Weight = 250lbs		

Voltage

Voltage	Operating
110V AC	4 AMP
220V AC	2 AMP

Chapter 04 – Operator Menu

Operator Menu

Access the Operator Menu by pressing the switch button located inside the top coin door.

Player 1 Button: *Scroll Up/Increase Value*

Start Button: *Select*

Player 2 Button: *Scroll Down/Decrease Value*

OPERATOR MENU	
CREDITS PER GAME	4
GAME AUDIO VOLUME	20
ATTRACT AUDIO VOLUME	10
TICKET VALUE	1
RED PIPE FREQUENCY %	25
PAYMENT TYPE	CREDITS
REDEMPTION MODE	TRUE
ACTIVATE BONUS	TRUE
BONUS TICKET VALUE	500
AVERAGE GAMES FOR BONUS	100
MINIMUM TICKETS	0
E-TICKETS	FALSE
CREDITS SHARING	FALSE

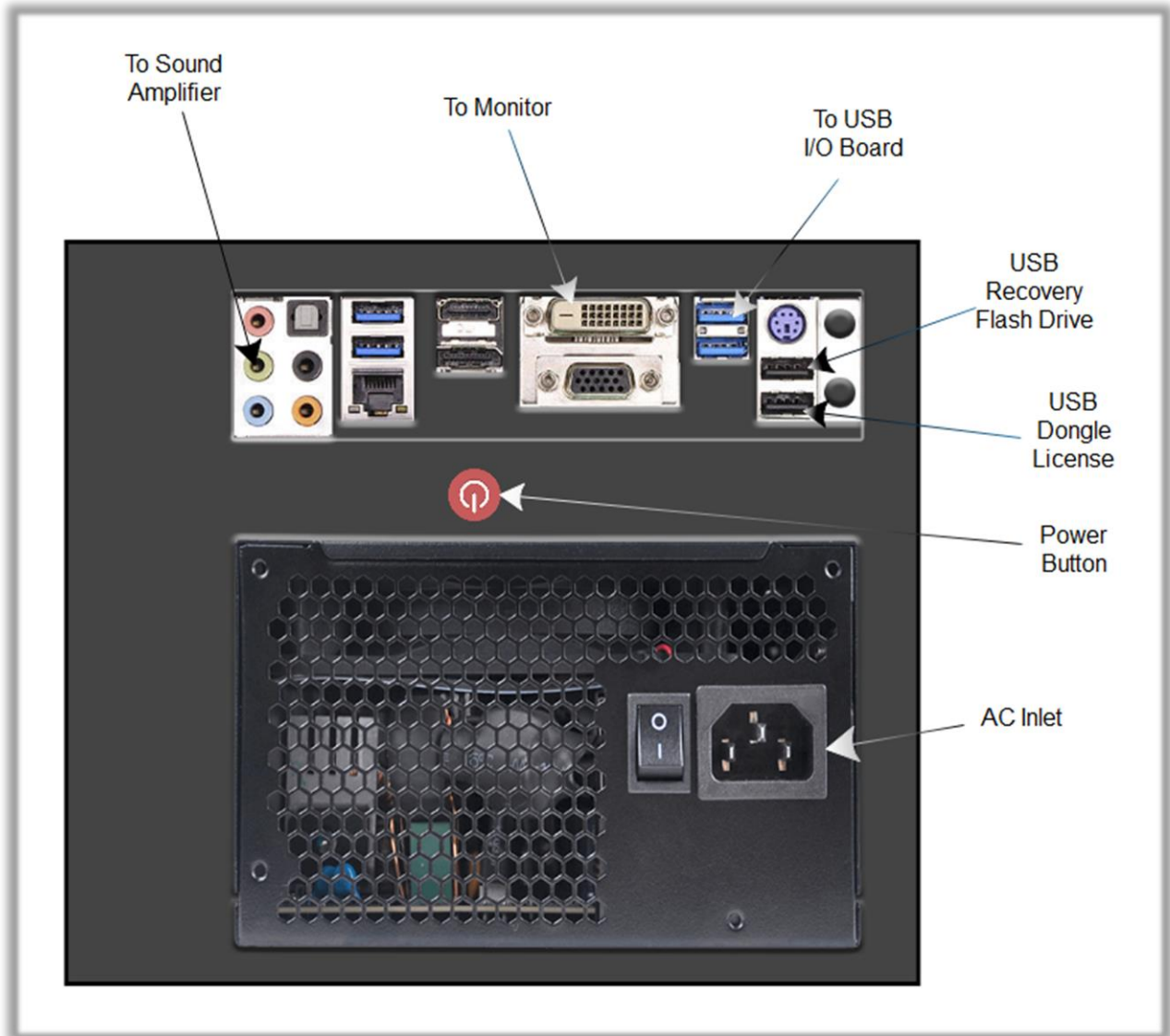
STATS	CLEAR CREDITS	QUIT GAME	RESUME GAME
--------------	----------------------	------------------	--------------------

Operator Menu	Values	What it does
Credits Per Game	0 – 20	Adjusts the number of credits required to play. "0" sets the unit in free play mode.
Game Audio Volume	0 – 20	Adjusts the in-game audio volume. "0" will mute the game.
Attract Audio Volume	0 – 20	Adjusts the audio volume of the attract loop. "0" will mute the attract loop.
TicketValue	1 – 2	Adjusts the value of physical tickets. Physical tickets are either worth "1" ticket or "2" tickets.
Red Pipe Frequency %	1-50	Adjusts the % frequency of Red Pipe (5 Tickets Value)
PaymentType	Credit/Card	Changes the credit type. "Credits" = Coins and "Card" = Card Reader. This will change the in-game text accordingly.
Redemption Mode	False/True	Adjusts the tickets redemption availability. (Default: True)
Activate Bonus	False / True	Adjusts the Bonus availability
Bonus Ticket Value	50-1000	Adjusts the number of tickets given when the Bonus is reached
Average games for Bonus	10-1000	Sets how frequently the Bonus will be awarded (Default: 250)
Minimum Tickets	0	Adjusts the minimum ticket payout for each game
E-Tickets	True/False	Adjusts the ticket distribution mode (False: during the game; True: At the end of the game). <u>If you have a Card Reader please use TRUE.</u>
Credits Sharing	False/True	Adjusts the credit sharing option between each player. (False: Sharing Disabled // True: Sharing Enabled) <u>If you have a Card Reader please use FALSE.</u>

Stats	N/A	Shows the Stats Screen.
Resume	N/A	Exits the Operator Menu and returns to the game.
Quit	N/A	Exits the game and returns to the Windows desktop.

Chapter 05 - Service & Repair

Computer Connections



Troubleshooting

*** NOTE: When requesting a warranty replacement you will be asked to give the unit’s serial number from the back of the unit.**

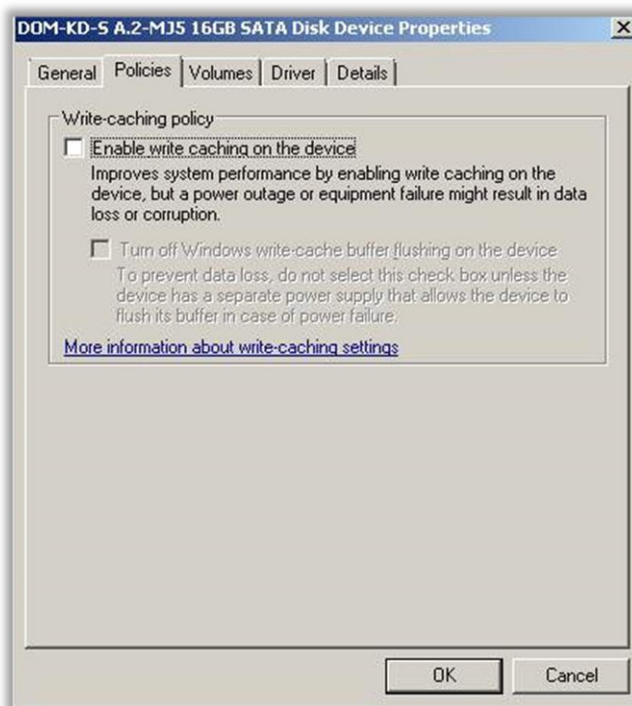
Video Troubleshooting	
No Picture and Sound	To change between Portrait and Landscape mode, press ALT-P (Portrait), or ALT-L (Landscape), or ALT-i (Portrait inverted Flying Tickets 42” version) using a USB keyboard.
	There are loose or faulty connections between the monitor and the computer. Make sure the DVI cable is connected properly to both the computer and to the DVI connector of the LCD monitor.
	<p>No power to computer.</p> <ul style="list-style-type: none"> • Verify the computer is ON. • Open the back service door and press the RED or WHITE power button. • Make sure that the power plug is well connected.
	<p>The Bios settings have changed, If the computer does not power automatically when the unit is powered on, follow these steps:</p> <ul style="list-style-type: none"> • Open the cabinet and plug a USB keyboard in one of the remaining USB ports. • Press and hold the “Delete” key on the keyboard and then turn the computer on. Keep holding the “Delete” key until the Bios screen appears. • Using the arrows, select the “Advanced” tab. • Using the arrows, scroll down to the Chipset Configuration option and press the “Enter” key. • Using the arrows, scroll down to the Restore on AC/Power Loss option and press the “Enter” key. • Using the arrows, select the Power On option and press the “Enter” key. • Press the “F10” key then the “Enter” key to exit the Bios screen.

Audio Troubleshooting	
Low Volume / No Sound	Increase the volume in the game by pressing the Operator Button and adjusting the volume options in the Operator Menu. You might also Quit the game to Windows desktop and increase the volume via the Speaker icon on the bottom right of your screen.
	Verify that the 1/8" plug is plugged in the computer's green sound input jack and that the other end is plugged in the sound amplifier. To verify if it's plugged properly, power up the unit and try touching the plug at the computer's end. If you hear a grounding sound it is connected.
Dongle not found	The USB License Dongle can't be found. Make sure that the USB Dongle is connected to the computer in a black USB port.

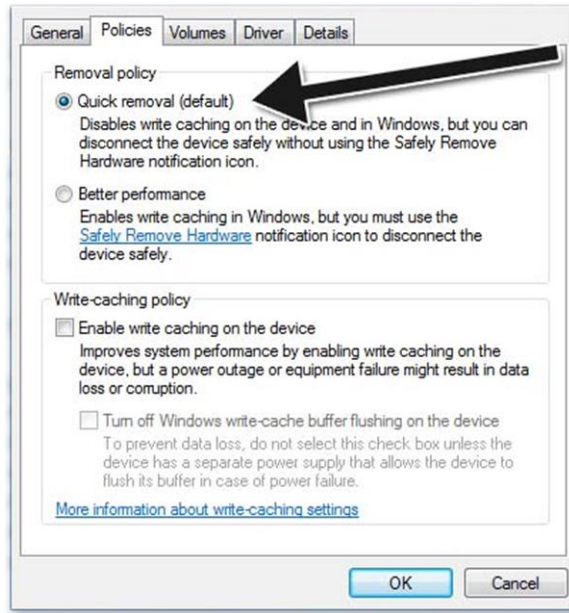
Operator Settings keeps resetting trouble

The Windows write cache needs to be disabled.

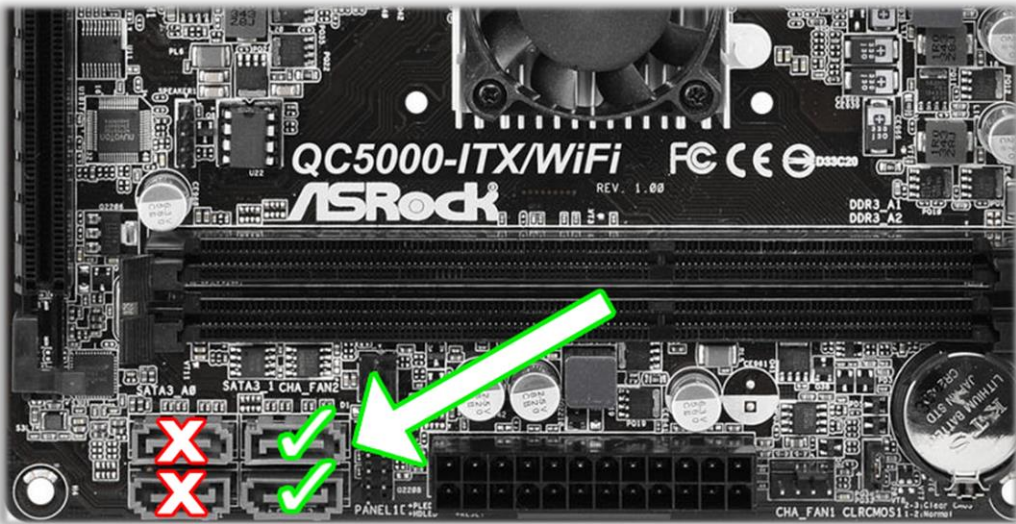
- Exit the game to Windows.
- Press on Start
- Right click on My Computer
- Choose Properties
- Click on Device Manager
- Expand Disk Drives
- Double click the 32GB Device (Not the USB drive if there is one)
- Go to Policies
- Remove the check in front of “Enable Write caching on the device” as seen below, press OK and then YES to reboot the computer.



If you have a screen that look like this one

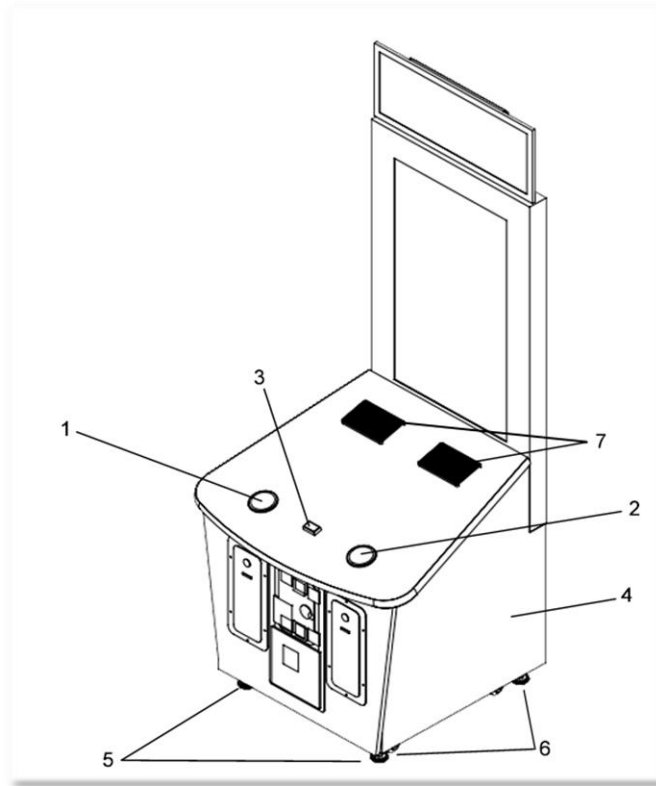


Power off the computer and change the hard drive SATA cable connector and use one of those 2 SATA connectors on the motherboard identified by the green checkmarks. Power on the unit and redo the instructions to disable the Write Cache.



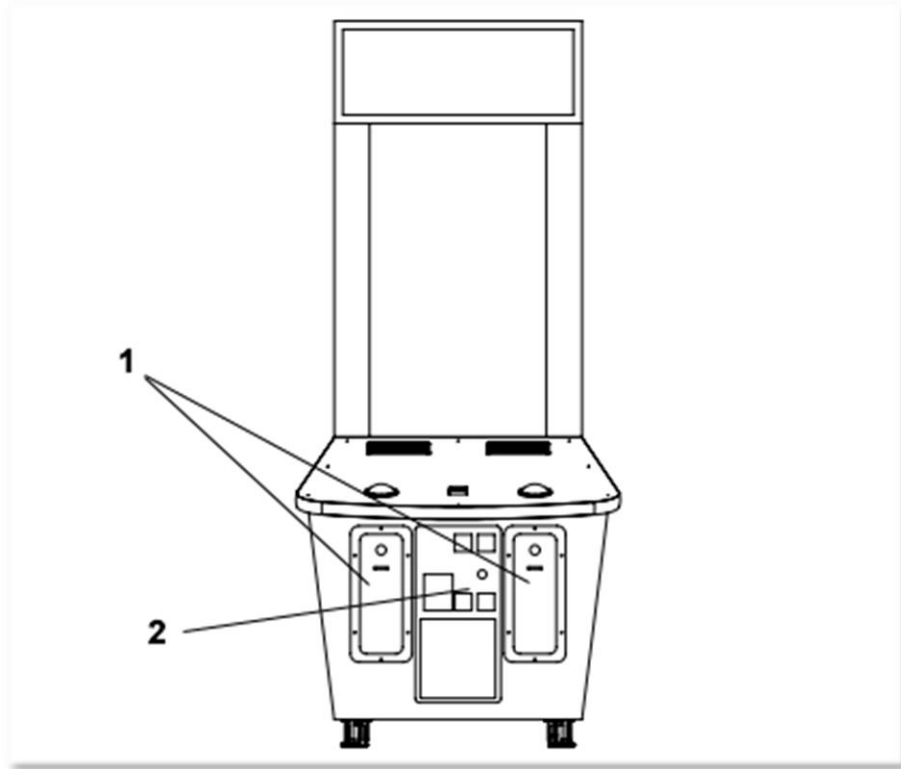
Chapter 06 - Parts

Cabinet Parts



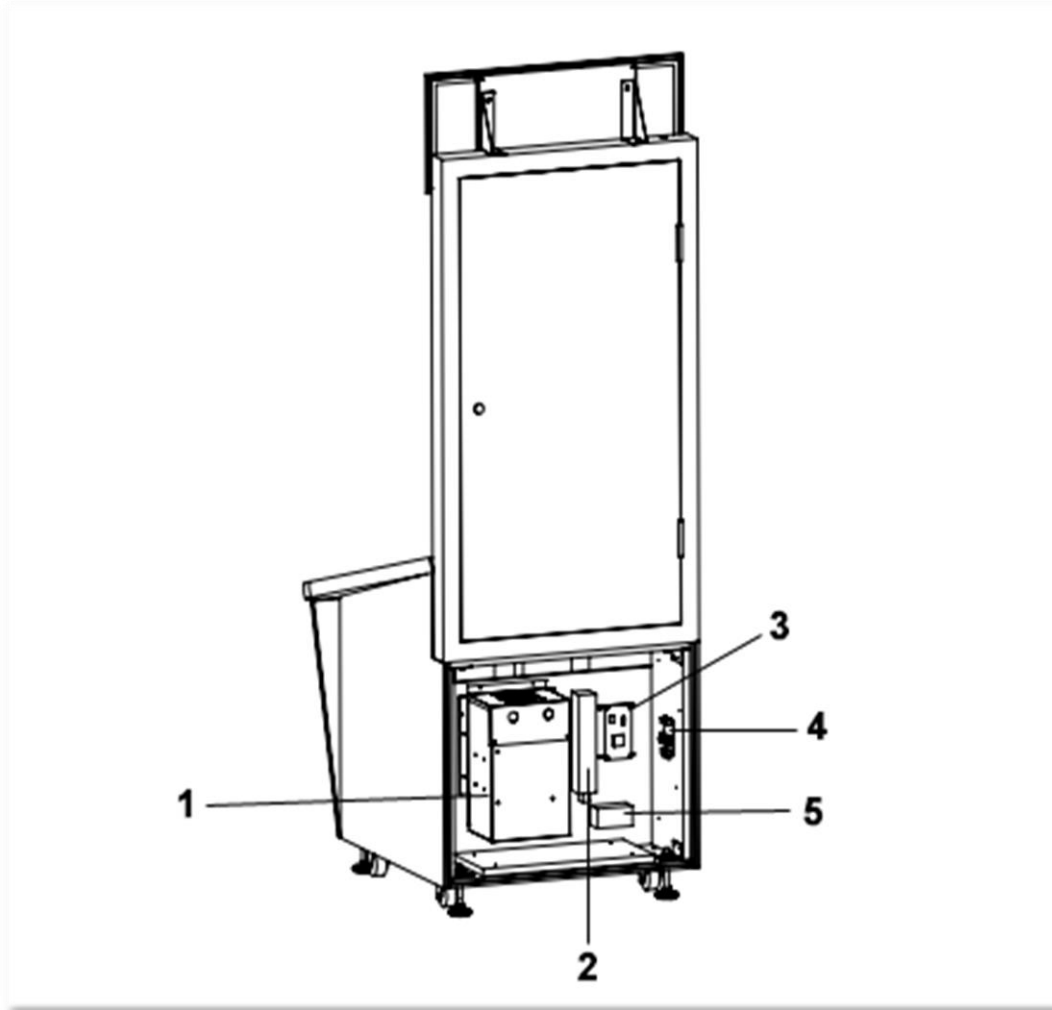
Ref	Part Description	Part #
1	Jumbo Blue Button	ADR-75-4002-12ZL
2	Jumbo Red Button	ADR-75-4002-10ZL
3	White Start Button	ADR-D54-0004-51
4	Wood Cabinet	FT-02-1021-M
5	Pivot Wheels	INV-F25083
6	Leg Leveler	INV-62805K-39
7	Speakers	ADR-50-9986-00

Cash Box Parts



Ref	Part Description	Part Number
1	Ticket Door Assembly	ADR-40-0540-00
2	Coin Door	ADR-40-3000-06
	Ticket Dispenser Entropy 2000	ADR-42-1337-00
	Ticket Bin	ADR-42-1015-00
	Meter 7-Digits	ADR-42-08012-072
	Plastic Coin Container	INV-07-1011

Computer & Electronics



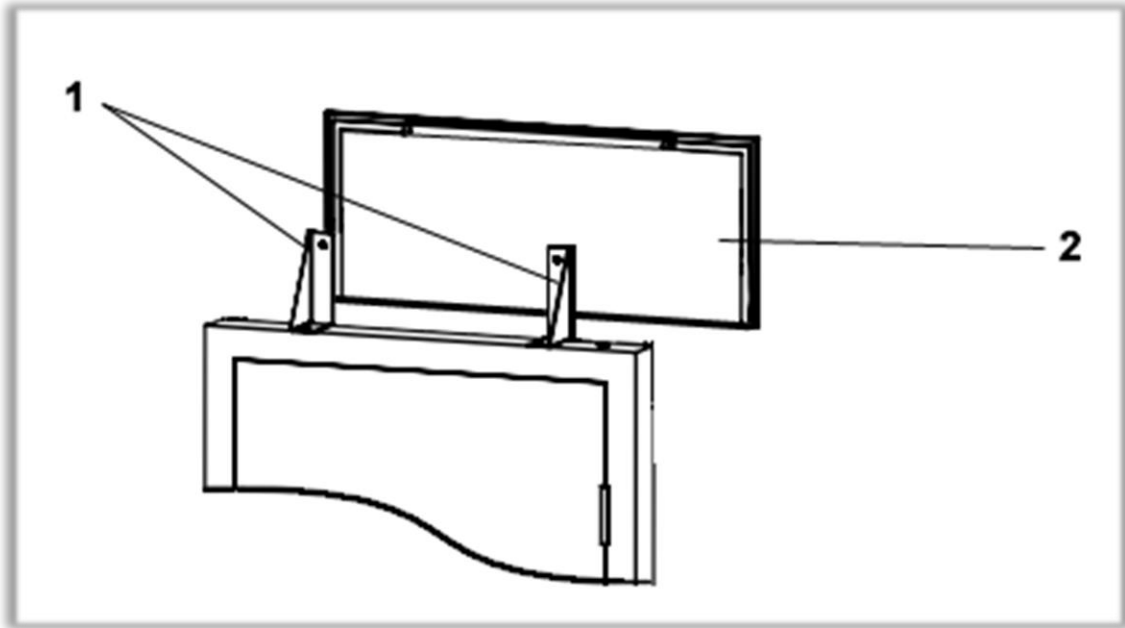
Ref	Part Description	Part Number
1	Computer	ADR-11-1007-FT
2	4 Outlet Power Bar	INV-05-1241
3	I/O Board	INV-04-1201
4	Audio Amplifier Board	INV-14-0005
5	12VDC 5A Power Supply	INV-14-0006
	42" Monitor	MNF-01-5051-01

Decal Prints



Ref	Part Description	Part Number
1	Header (Decal)	FTM-09-1005
2	Left Side Decal	FTM-09-1002
3	Front Decal	FTM-09-1001
4	Right Side Decal	FTM-09-1003
5	Acrylic Top Dash Board	FTM-09-1004

Header Parts



Ref	Part Description	Part Number
1	Header Brackets	TFX-01-1481-Mini
2	Header (LED Panel)	ADR-09-1017-Mini

Cabling

Part Description	Part Number
3 Feet USB "AB" cable	ADR-USB-AB1-03
Connector Y	TF-05-1223
Header LED Cable (I/O J16)	INV-03-4090 (TF-05-1224)
Audio Cable 3.5mm to 2x RCA	INV-35MM-RCAE-06

Wiring Harness

Part Description	Part Number
IO Board (J1 & J3) Buttons & Operator	FT-03-4010
LED Light	FT-03-4020
Ticket Dispensers	FT-03-4030
Coin Cable	FT-03-4040
Cabinet Cable (Fan)	FT-03-4050

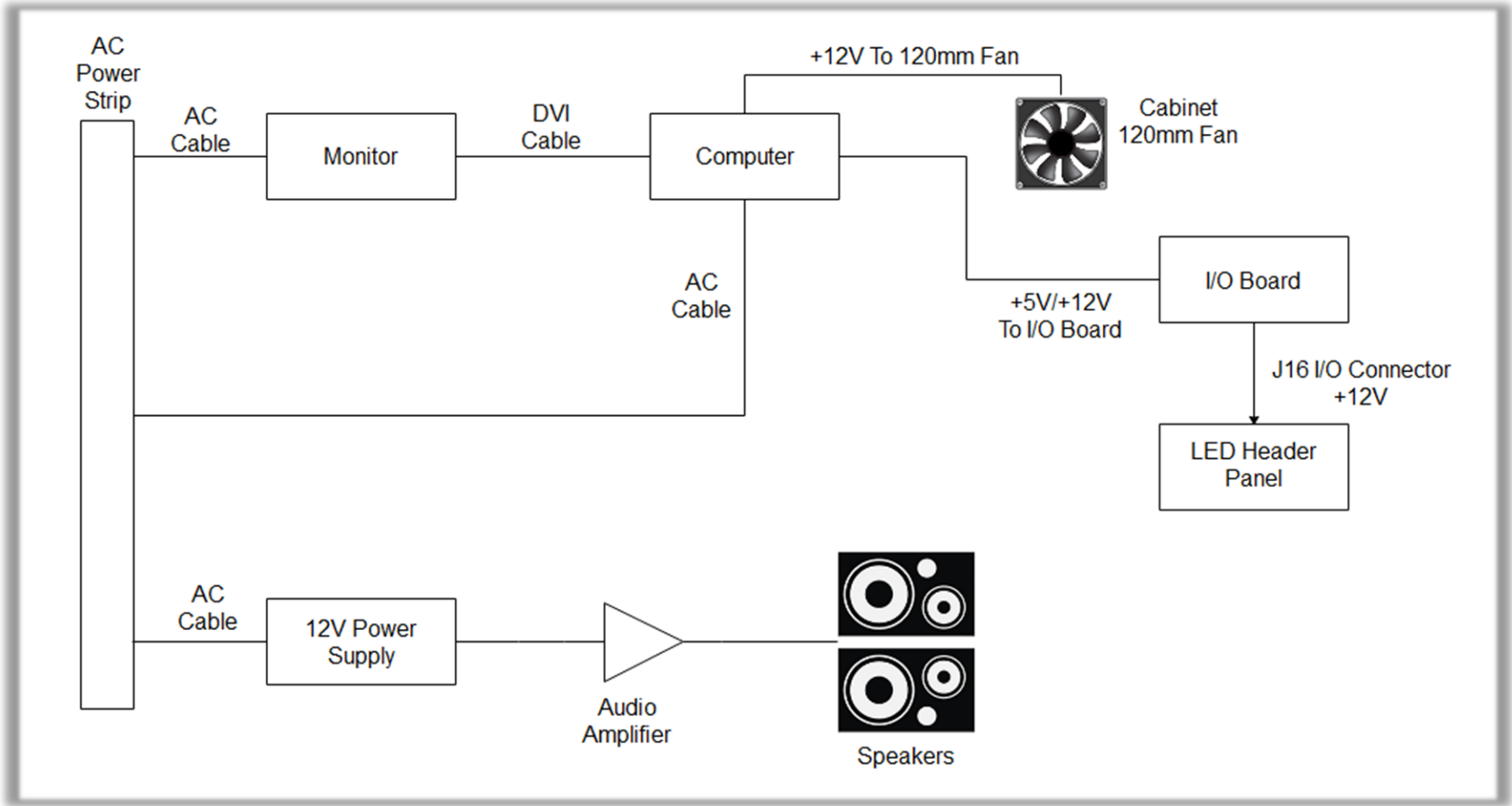
Computer Parts

Part Description	Part Number
Motherboard AsRock QC5000	INV-11-1011
Power Supply 500W	ADR-11-EVGA-PS
Hard Drive with OS & Game	INV-11-1017
USB restore disk	INV-11-2012

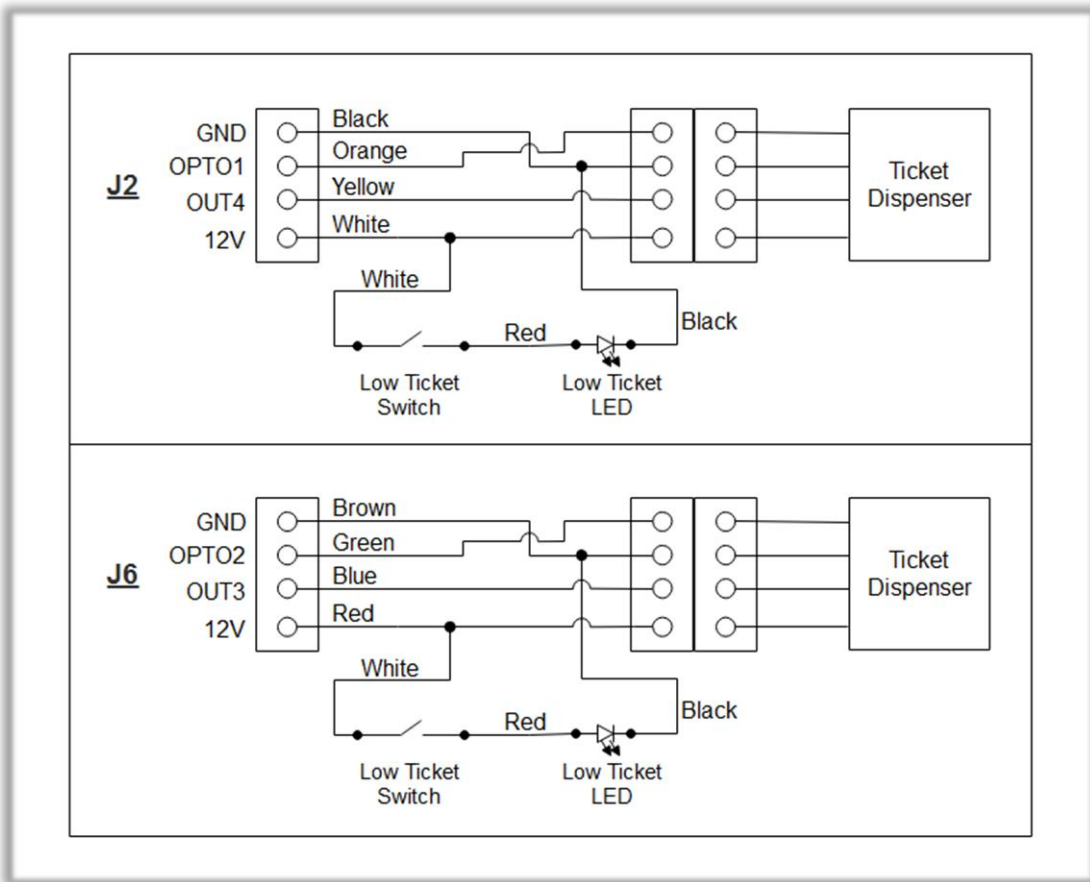
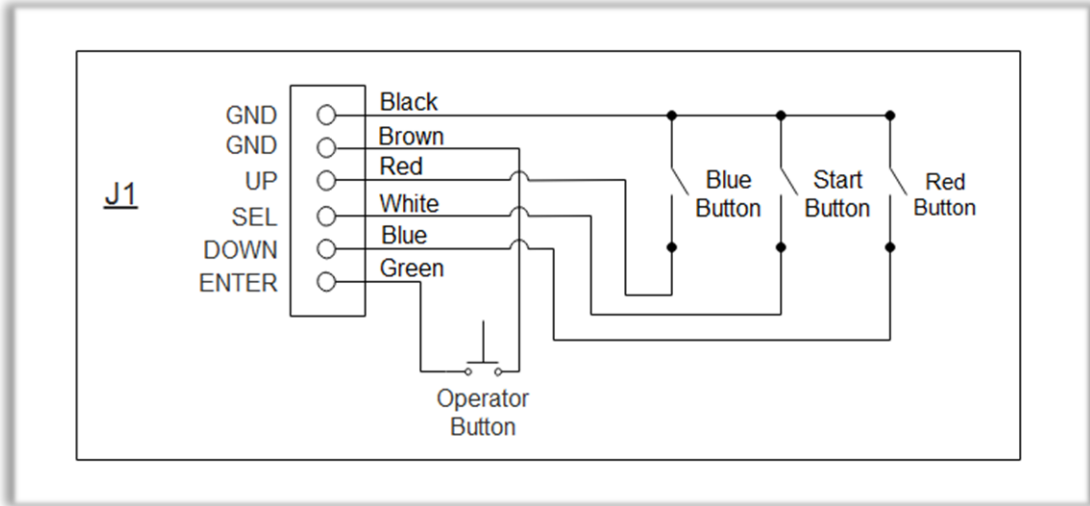
Monitor Parts

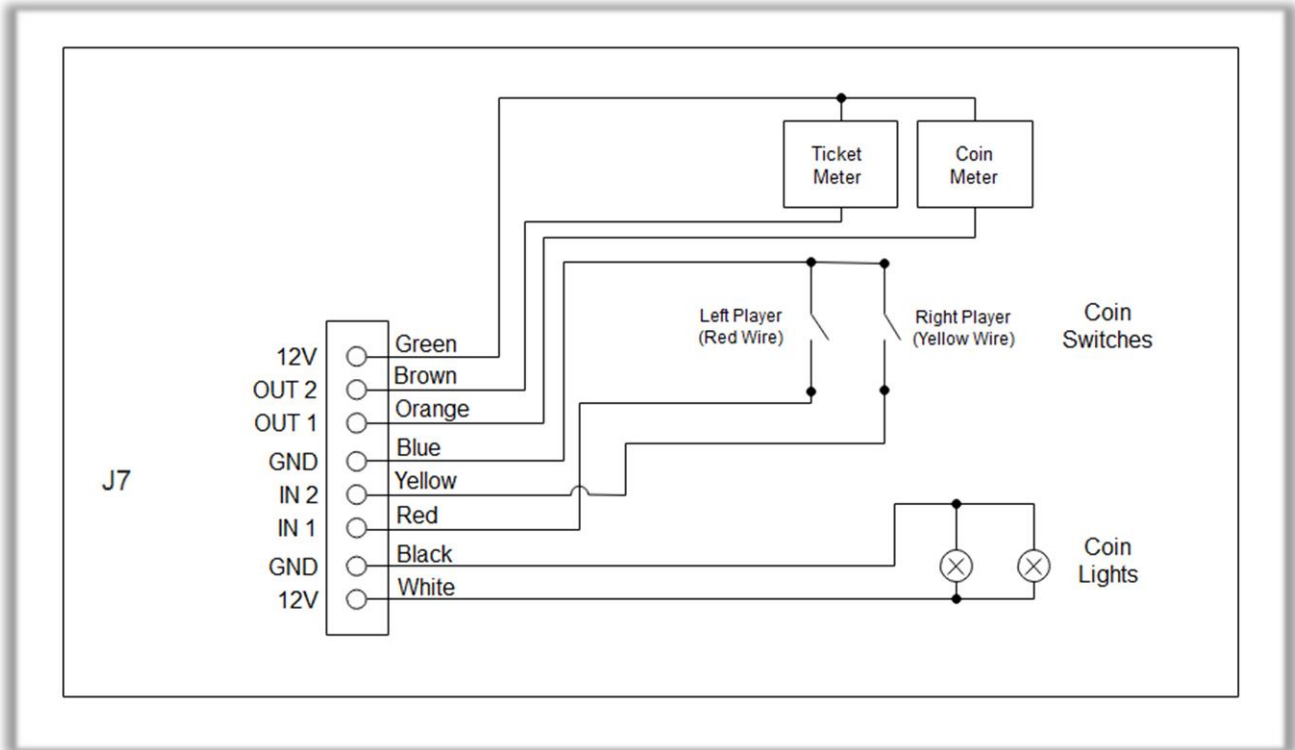
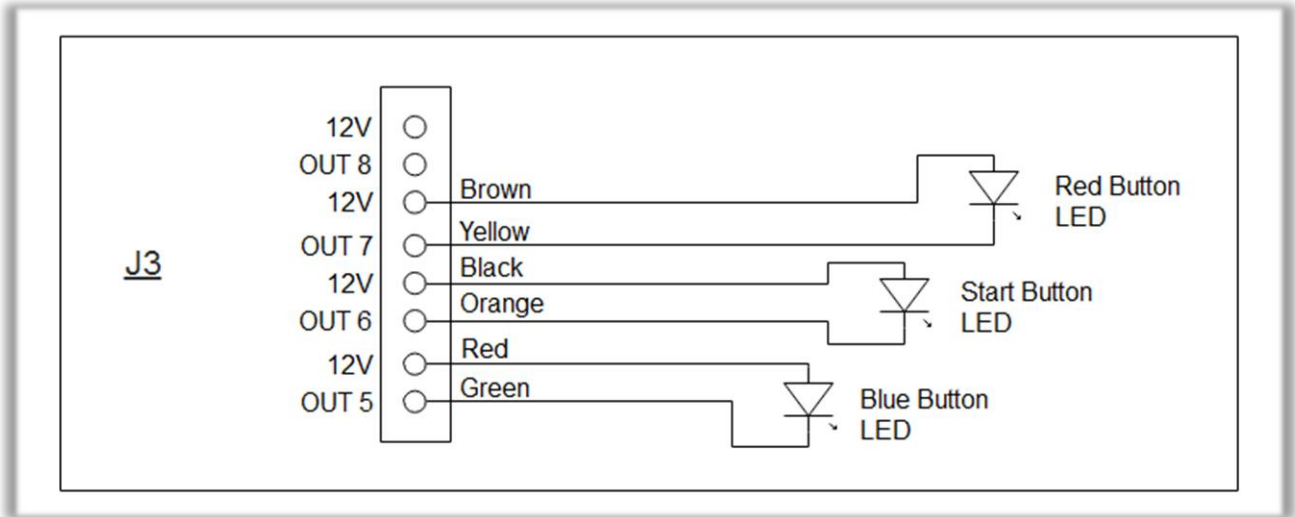
Part Description	Part Number
42" Monitor Power Board	INV-04-PCB-ZA
42" Monitor Video Board LG	INV-04-AD-LG
42" Monitor Video Board Samsung	INV-04-AD-SMG

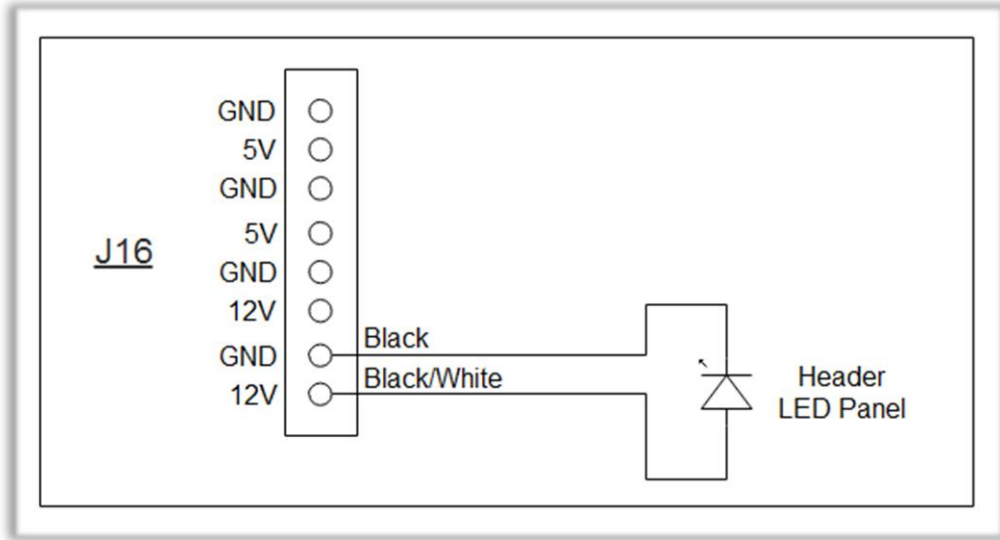
Chapter 07 – Diagrams & Schematics



IO Board Wiring Diagram



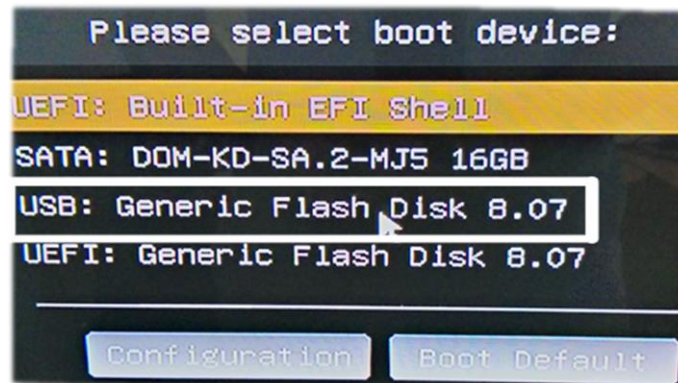




Chapter 08 – Software Recovery

If your unit software needs to be restored please follow those instructions.

- Connect a USB keyboard to the motherboard.
- Verify that the USB Recovery disk is in a **Black** USB port.
- Power on the unit.
- Press F11 on your keyboard when the AsRock splash screen is displayed to enter the boot menu.
- Choose USB: and press Enter.



The process takes 25-30minutes and the unit will reboot back in the game at the end. The Wireless credentials will need to be re-entered and Operator settings will be back at the default ones.

Chapter 09 – Card Reader

If you use a card reader system, it is important to follow those instructions.


You need to install 2 card readers, one for each player. We suggest installing them on the dash.

Please refer to the Operator Menu settings on page 9-10.

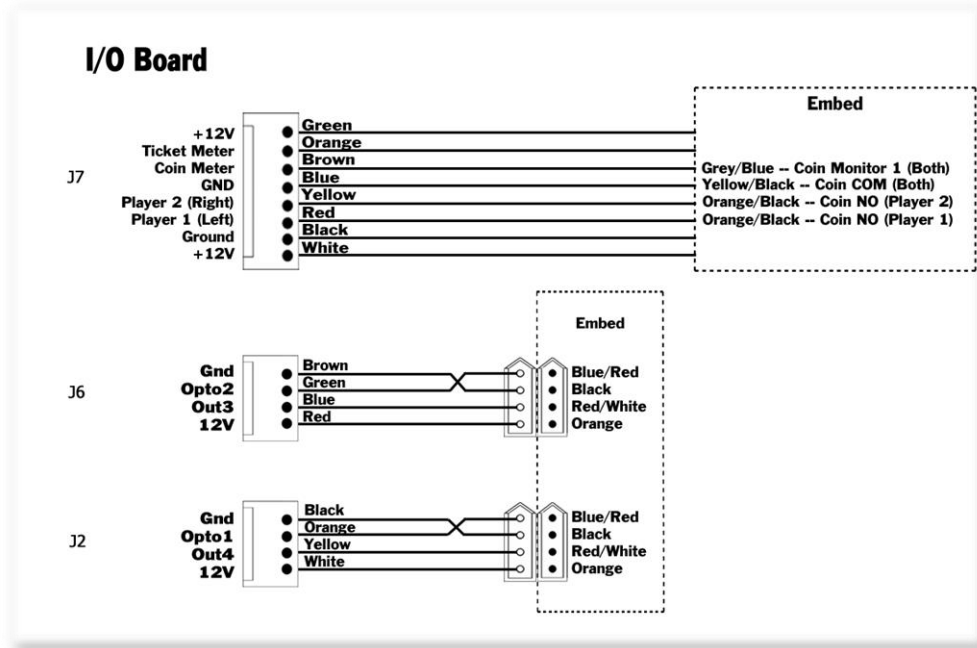


Embed System

If you are using an Embed system, you need to connect your harnesses to Adrenaline Amusements I/O board & harnesses. You should refer to the Embed instructions manual for wiring pin-out but here's Embed V5 example:



Pin	Wire Color	Signal	I/O	Pin	Wire Color	Signal	I/O
1	Orange	12 VDC	I	2	Orange	12 VDC	I
3	Black	Ground	O	4	Black	Ground	O
5				6			
7	Orange/Black	Coin NO	O	8	Yellow/Black	Coin COM	O
9	Grey/Blue	Coin Monitor 1	I	10	Grey/Black	Coin Monitor 2	I
11	Blue/Red	Game Notch 1	O	12			
13	Blue	Ticket Notch 1	I	14			
15	White	Ticket Drive 1	O	16			
17	White/Red	Game Drive 1	I	18			





Limited Warranty Policies

Customers must provide the unit serial number when claiming any warranty request.

Adrenaline Amusements (AAGames) warrants this Arcade unit (Including accessories) against defects in material or workmanship as follows:

This unit has 1 year warranty against defective hardware from date of delivery.

Other than abuse or improper servicing, Adrenaline Amusements covers at no charge the replacement parts including standard shipping.

Customers have 30 days from delivery date to return back the defective equipment at their fees or they will be billed automatically.

Improper servicing or abuse will VOID existing warranties.

All warranty request needs to be validate with our technical support department.

After the 1 year warranty, Adrenaline Amusements offers repairs & sales services options. Please contact the technical support department for information.

Adrenaline Amusements
1150 rue Levis, Suite 302
Terrebonne, QC
J6W5S6 Canada
+1.450.824.1671