



# Crossy Road Arcade

CR-65-1001



ADRENALINE  
aagames.com

## Operation & Service Manual

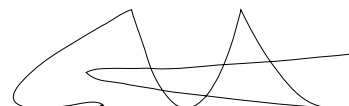
Version 4.0

**\* Read this manual before use**

# General Remark

---

If you encounter any difficulties or if you need support on how to update and/ or install your Crossy Road product, we invite you to contact your local distributor or reach us at [support@aagames.com](mailto:support@aagames.com) or by calling our support line +1-450-824-1671



Adrenaline Amusements Team

Adrenaline Amusements  
1150 Levis, Suite 302  
Terrebonne, Qc  
Canada  
J6W 5S6

# Table of Contents

---

## Contents

<b>General Remark</b> .....	<b>2</b>
<b>Table of Contents</b> .....	<b>3</b>
<b>Chapter 01 - Preface</b> .....	<b>5</b>
Precaution for Game Operation.....	5
Safety.....	6
Environmental Conditions.....	6
<b>Chapter 02 - Game Features</b> .....	<b>7</b>
Win a lot of tickets! How to Play.....	7
<b>Chapter 3 – Unit Features</b> .....	<b>8</b>
Hardware Features.....	8
Cabinet Facts.....	8
Voltage .....	8
<b>Chapter 04 – Unit Installation</b> .....	<b>9</b>
Assembling your Crossy Road Unit .....	9
Headers Installation .....	11
<b>Chapter 05 – Operator Menu</b> .....	<b>14</b>
Operator Menu .....	14
<b>Chapter 06 - Service &amp; Repair</b> .....	<b>16</b>
Computer Connections .....	16
Troubleshooting .....	17
Video Troubleshooting.....	17
Audio Troubleshooting .....	18
Wireless Internet Configuration.....	19
<b>Chapter 07 - Parts</b> .....	<b>22</b>
Cabinet Parts .....	22

Cash Box Parts .....	23
Computer & Electronics .....	24
Decal Prints.....	25
Header Parts.....	26
Cabling.....	27
Wiring Harness .....	27
Computer Parts .....	27
Monitor Parts .....	27
<b>Chapter 08 – Diagrams &amp; Schematics .....</b>	<b>28</b>
Power Distribution .....	28
I/O board INV-04-1201 .....	29
I/O Board Wiring .....	33
RGB LED Controller Power Wiring Diagram .....	35
RGB LED Wiring Diagram.....	36
<b>Chapter 09 – Software Recovery .....</b>	<b>37</b>
<b>Chapter 10 – Card Reader .....</b>	<b>38</b>
Embed System.....	39
<b>Limited Warranty Policies .....</b>	<b>40</b>

# Chapter 01 - Preface

---

***Please read this page before preparing your Crossy Road Arcade product for game play.***

The following safety instructions apply to all game operators and service personnel. Specific warnings and cautions will be included throughout this manual.

Use the following safety guidelines to help protect the system from potential damage and to ensure your personal safety:

- Electronic components in the game cabinet run on 110V AC 60Hz (220V/ 50Hz in most of Europe, the Middle East and the Far East delivered units).
- To help prevent electric shock, plug the system into a properly grounded power source. These cables are equipped with 3-prong plugs to help ensure proper grounding. Do not use adapter plugs or remove the grounding prong from a cable. If you must use an extension cable, use a 3-wire cable with properly grounded plugs.
- To help protect your system from sudden increases and decreases in electrical power, use a surge suppressor, line conditioner or Uninterruptible Power Supply (UPS).
- Be sure nothing rests on the system's cables and that the cables are not located where they can be stepped on or tripped over.
- Keep your system far away from radiators and other heat sources.
- Do not block cooling vents.

## **Precaution for Game Operation**

Adrenaline Amusements Inc. assumes no liability for injuries incurred while playing our games.

Operators should be aware that certain health and physical conditions may make people susceptible to injury when playing video games.

## Safety

---



To avoid electrical shock, unplug the cabinet before performing installation or service procedures.

If a power cord is damaged, it must be replaced by the equivalent power cord available from your distributor.

---



Adrenaline Amusement Inc. assumes no liability for any damages or injuries incurred while setting up or servicing the cabinet. Only qualified service personnel should perform installation or service procedures.

---

## Environmental Conditions

Cabinet is intended for indoor use only. Be sure to keep the cabinet dry and maintain operating temperatures of 59° - 86°F (15° - 30°C).

# Chapter 02 - Game Features

---

## Win a lot of tickets!

### How to Play

- Tap the button to cross roads, train tracks and rivers.
- 100% Skill game.
- Challenge your friends; 2 player game play.
- Skill Bonus; beat the target score and win a bonus of 100 to 1000 tickets

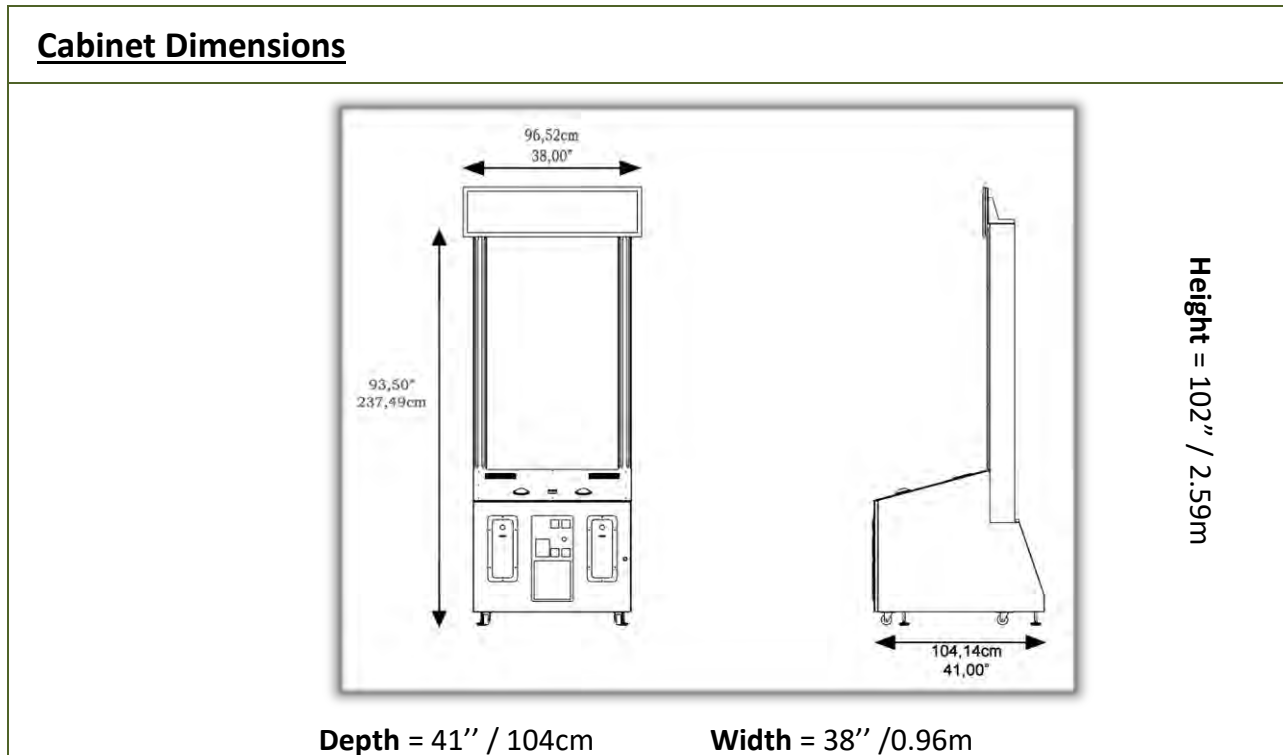


# Chapter 3 – Unit Features

## Hardware Features

- 2 Players Game
- Dual Ticket Dispenser

## Cabinet Facts



**Shipping Dimensions**

Width = 45"	Depth = 57"	Height = 85"
Weight = 650lbs		

## Voltage

Voltage	Operating
110V AC	4 AMP
220V AC	2 AMP



# Chapter 04 – Unit Installation

---

## Assembling your Crossy Road Unit

1. Carefully remove the Cabinet from the shipping container, giving you enough space.
2. Move the cabinet to the desired location.

**\*\* For your security, minimum 2 persons are needed to complete the installation \*\***

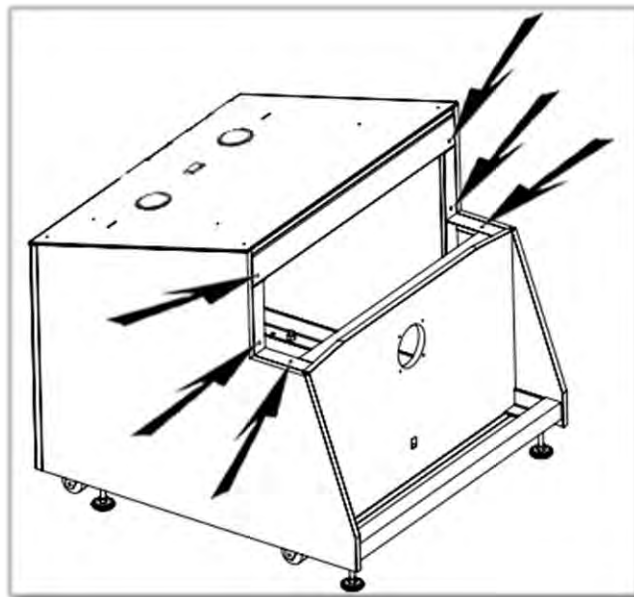


Fig. 1

3. Before installing the monitor, locate the 6 bolt holes as seen on figure 1.

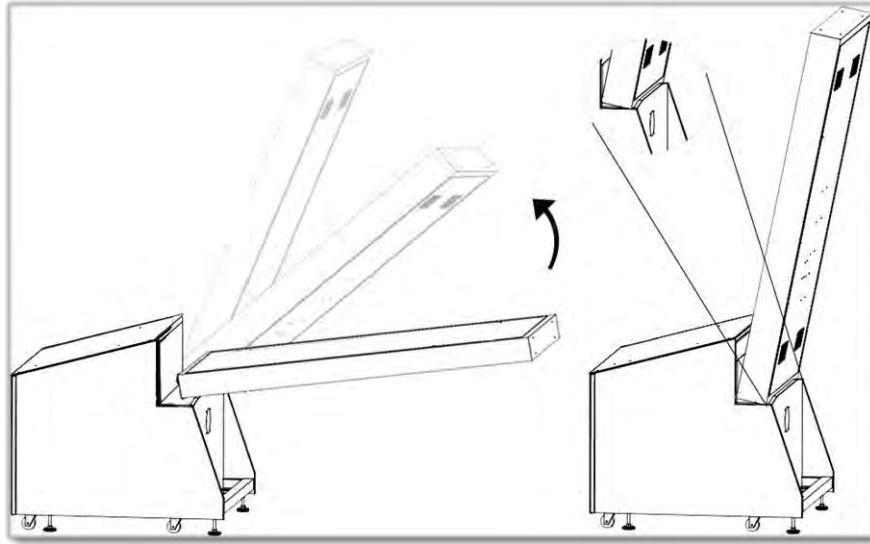


Fig. 2

4. Place the bottom back of the TV over the security support before lifting it vertically.

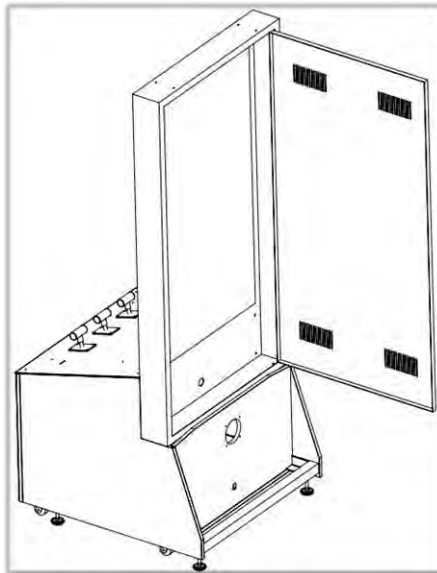
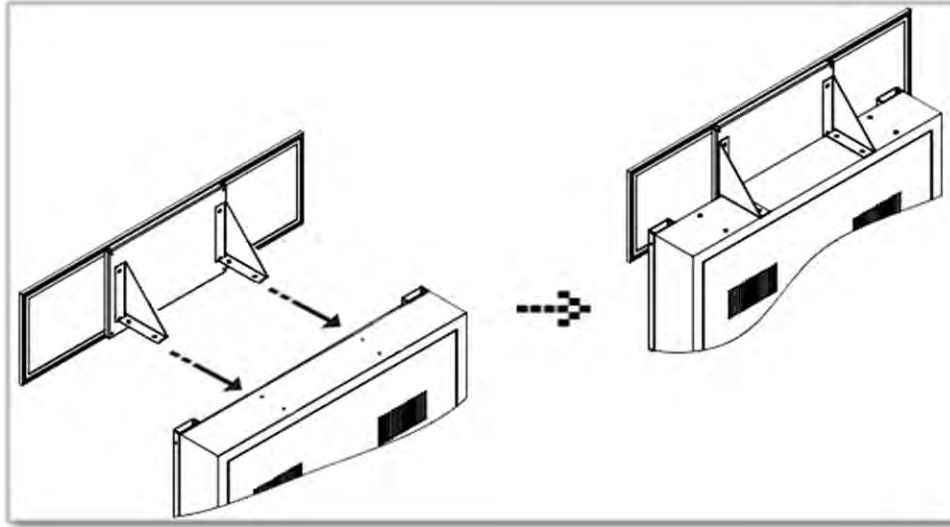


Fig. 3

5. Affix the 6 bolts **1/4-20 x 1"** and tighten them.

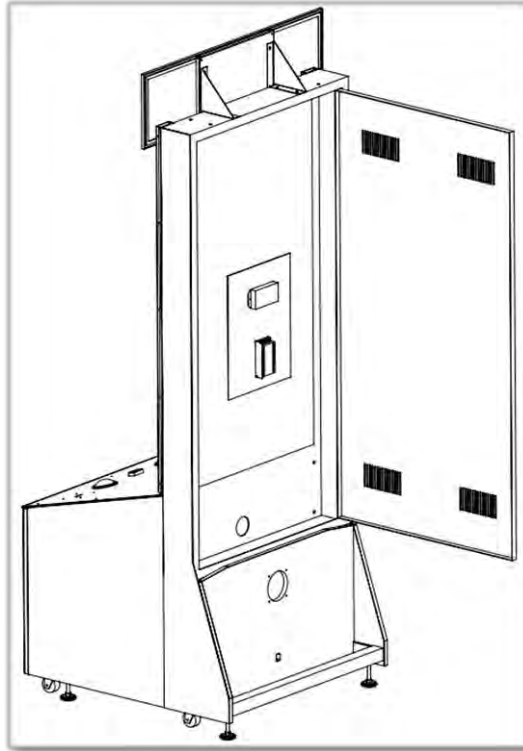
## **Headers Installation**



**Fig. 4**

-Using a ladder, fix the header to the monitor using the 4 bolts M6 X 12. The header will be slightly in front of the LED strips.

-Connect the 12V LED Panel barrel connector.

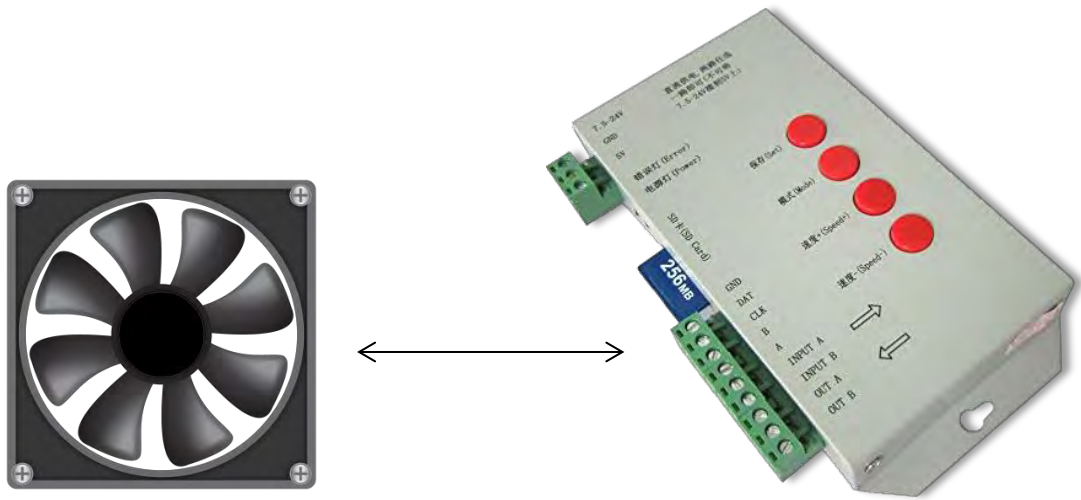
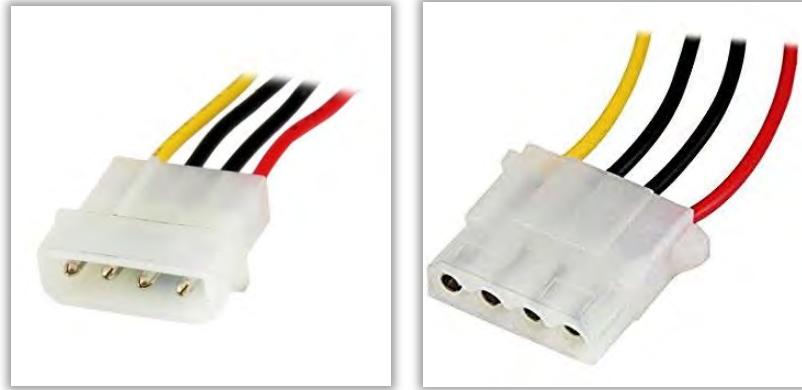


**Fig. 5**

- Run the monitor DVI cable, the 4-pins 5V/12V cable and the AC cable through the bottom hole.
- Connect the DVI monitor cable to the computer inside the cabinet.
- Connect the AC power cable to the Surge Protection Power Bar.



- Connect the 4-pins 5V/12V Molex extension between the Fan inside the cabinet and the RGB LED controller from the monitor.



# Chapter 05 – Operator Menu

---

## Operator Menu

Access the Operator Menu by pressing the switch button located inside the top coin door.

**Player 1 Button:** *Scroll Up/Increase Value*

**Start Button:** *Select*

**Player 2 Button:** *Scroll Down/Decrease Value*

	Version #
Credits per game	4
Game Audio Volume	20
Attract Audio Volume	15
Ticket Value	1
Payment Type	Credits
Redemption Mode	ON
Activate Bonus	ON
Bonus Value	500
Average Game For Bonus	100
Minimum Tickets	0
Tickets per Step	1
Difficulty	1
Ticket Feed	Continuous
Credit Sharing	False
<b>Game Stats</b>	<b>Clear Credits</b>
	<b>Quit</b>
	<b>Resume</b>

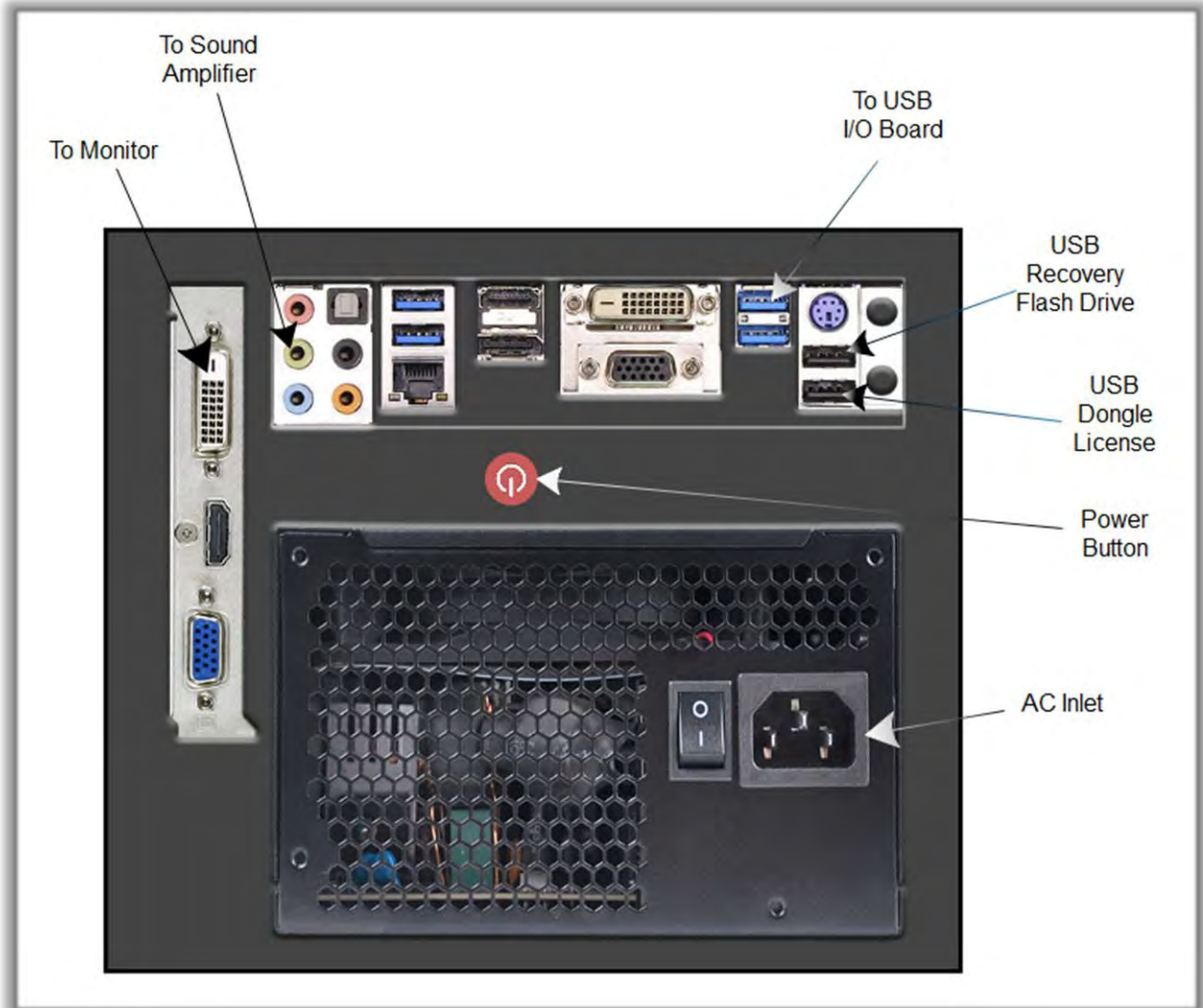
Crossy Road Manual V4.0  
Chapter 05 – Operator Menu

Operator Menu	Values	What it does
Credits Per Game	0 – 20	Adjusts the number of credits required to play. “0” sets the unit in free play mode.
Game Audio Volume	0 – 20	Adjusts the in-game audio volume. “0” will mute the game.
Attract Audio Volume	0 – 20	Adjusts the audio volume of the attract loop. “0” will mute the attract loop.
Ticket Value	1 – 2	Adjusts the value of physical tickets. Physical tickets are either worth “1” ticket or “2” tickets.
Payment Type	Credit / Card	Changes the credit type. “Credits” = Coins and “Card” = Card Reader. This will change the in-game text accordingly.
Redemption Mode	On / Off	Adjusts the Redemption availability.
Activate Bonus	On / Off	Adjusts the Bonus availability.
Bonus Value	50 - 1000	Adjusts the number of tickets given when the Bonus is reached.
Average games for Bonus	10 - 1000	Sets how frequently the Bonus could be awarded.
Minimum Tickets	0 – 20	Adjusts the minimum number of tickets per game.
Tickets per Step	0,1 - 2	Adjusts the divider for the amount of tickets given per number of steps (Increment per 0.1).
Difficulty	1 - 5	Adjusts the Difficulty Level (1 is Easiest, 5 is Hardest).
Ticket Feed	Continuous / End Game	Adjusts the ticket distribution mode (Continuous: during the game; End Game: At the end of the game). <b><u>If you have a Card Reader please use END GAME.</u></b>
Credit Sharing	True / False	Adjusts the credit sharing option between each players. (False: Sharing Disabled // True: Sharing Enabled) <b><u>If you have a Card Reader please use FALSE.</u></b>

Game Stats	N/A	Shows the Stats Screen.
Clear Credits	N/A	Resets the Inserted credits to 0 if more than 40 credits are entered.
Quit Game	N/A	Exits the game and returns to the Windows desktop.
Resume Game	N/A	Exits the Operator Menu and returns to the game.

# Chapter 06 - Service & Repair

## Computer Connections






## Troubleshooting

**\* NOTE: When requesting a warranty replacement you will be asked to give the unit's serial number from the back of the unit.**

<b>Video Troubleshooting</b>	
<b>No Picture and Sound</b>	To change between Portrait and Landscape mode, press ALT-P (Portrait) or ALT-L (Landscape) or ALT-i (Portrait Inverted) using a USB keyboard.
	There are loose or faulty connections between the monitor and the computer. Make sure the DVI cable is connected properly to both the computer and to the DVI connector of the LCD monitor.
	No power to computer. <ul style="list-style-type: none"><li>• Verify that the computer is powered ON.</li><li>• Open the service door and press the RED or WHITE power button.</li><li>• Make sure that the power plug is well connected.</li></ul>
	The Bios settings have changed, If the computer does not power automatically when the unit is powered on, follow these steps: <ul style="list-style-type: none"><li>• Open the cabinet and plug a USB keyboard in one of the remaining USB ports.</li><li>• Press and hold the “Delete” key on the keyboard and then turn the computer on. Keep holding the “Delete” key until the Bios screen appears.</li><li>• Using the arrows, select the “Advanced” tab.</li><li>• Using the arrows, scroll down to the Chipset Configuration option and press the “Enter” key.</li><li>• Using the arrows, scroll down to the Restore on AC/Power Loss option and press the “Enter” key.</li><li>• Using the arrows, select the Power On option and press the “Enter” key.</li><li>• Press the “F10” key then the “Enter” key to exit the Bios screen.</li></ul>

<b>Audio Troubleshooting</b>	
<b>Low Volume / No Sound</b>	Increase the volume in the game by pressing the Operator Button and adjusting the volume options in the Operator Menu. You might also Quit the game to Windows desktop and increase the volume via the  Speaker icon on the bottom right of your screen.
	Verify that the 1/8" plug is plugged in the computer's green sound input jack and that the other end is plugged in the sound amplifier. To verify if it's plugged properly, power up the unit and try touching the plug at the computer's end. If you hear a grounding sound it is connected.
<b>Dongle not found</b>	The USB License Dongle can't be found. Make sure that the USB Dongle is connected to the computer in a black USB port.

## Wireless Internet Configuration

Your network can be configured via Ethernet cable or Wireless 802.11b/g.

If you have an Ethernet cable available to be plugged in, insert it into the motherboard LAN RJ45 connector.

If not, here's how to configure your wireless network with your own existing Wi-Fi network.

-Start the unit.


-There will be Adrenaline Amusements wallpaper with a 150 seconds delay before the attract mode shows up. It gives enough time for a wireless network to connect.

*(This delay will be present on each reboot if you don't connect your unit to the Internet)\*.*

-Open the coin door and press the Operator button.

-Choose QUIT to Windows.

-Connect the USB keyboard and USB mouse.

- Open Connect to a Network by clicking the network icon () in the lower right corner of the screen.

-In the list of networks, click the network you want to connect to and click connect.

-Enter your security key.

-Once connected, double-click the CrossyRoad shortcut on the desktop.

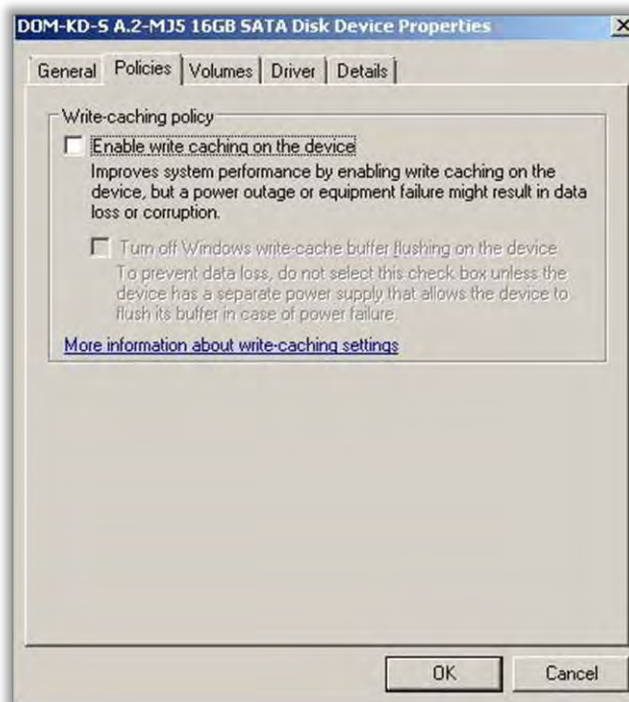
Having your unit connected to the Internet includes free software live update!

\*If you do not connect your unit to the Internet, you can double-click the Disable\_Network shortcut on the Windows desktop to bypass the 150seconds Internet lookup delay.

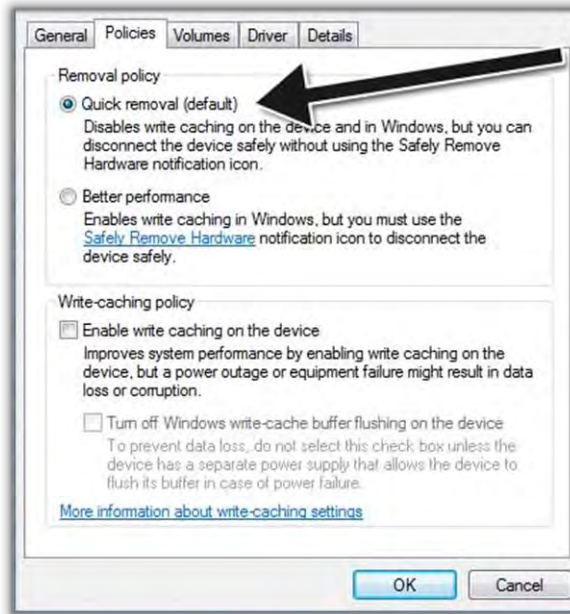
### **Operator Settings keeps resetting trouble**

The Windows write cache needs to be disabled.

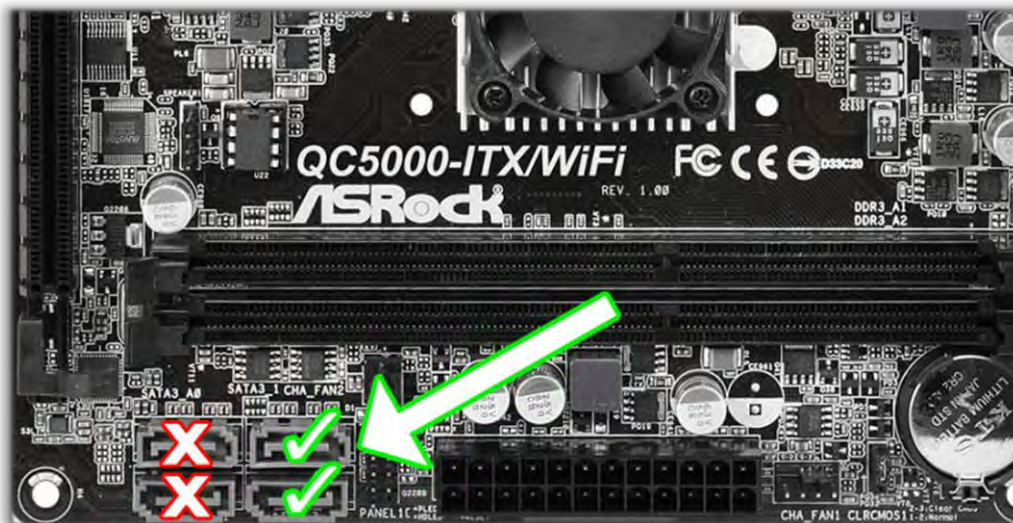
- Exit the game to Windows.
- Press on Start
- Right click on My Computer
- Choose Properties
- Click on Device Manager
- Expand Disk Drives
- Double click the 32GB Device (Not the USB drive if there is one)
- Go to Policies
- Remove the check in front of “Enable Write caching on the device” as seen below, press OK and then YES to reboot the computer.



If you have a screen that look like this one

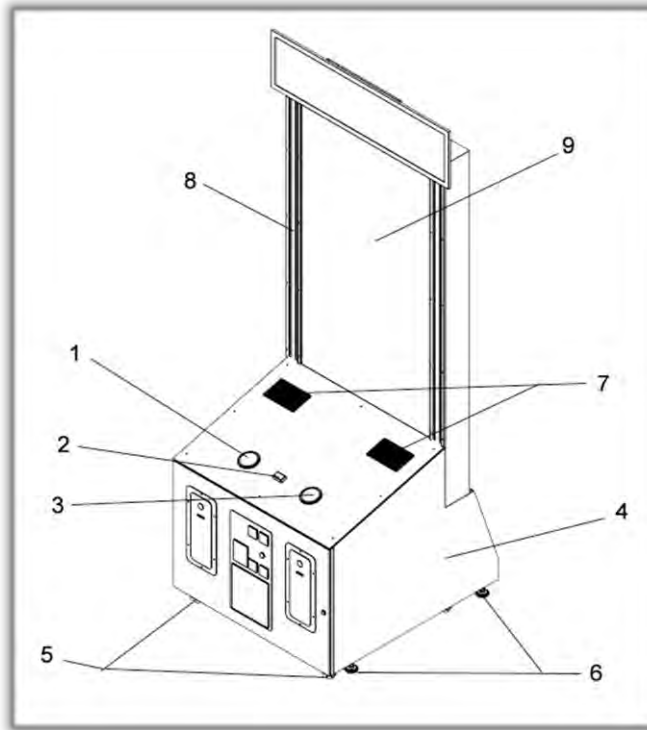


Power off the computer and change the hard drive SATA cable connector and use one of those 2 SATA connectors on the motherboard identified by the green checkmarks. Power on the unit and redo the instructions to disable the Write Cache.



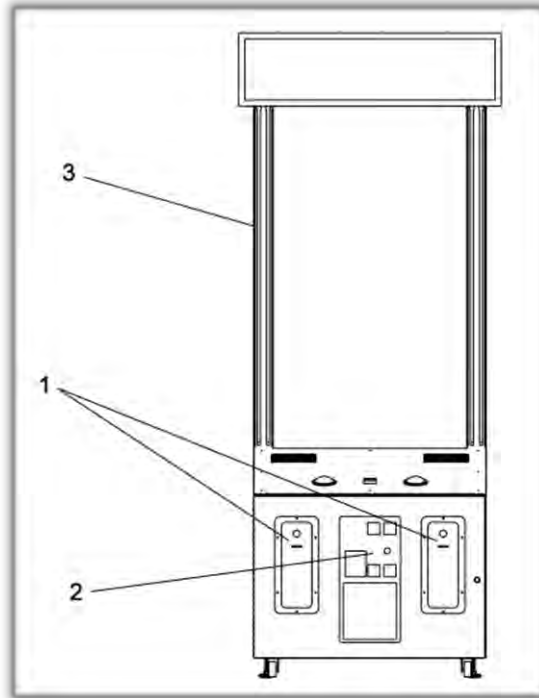
# Chapter 07 - Parts

## Cabinet Parts



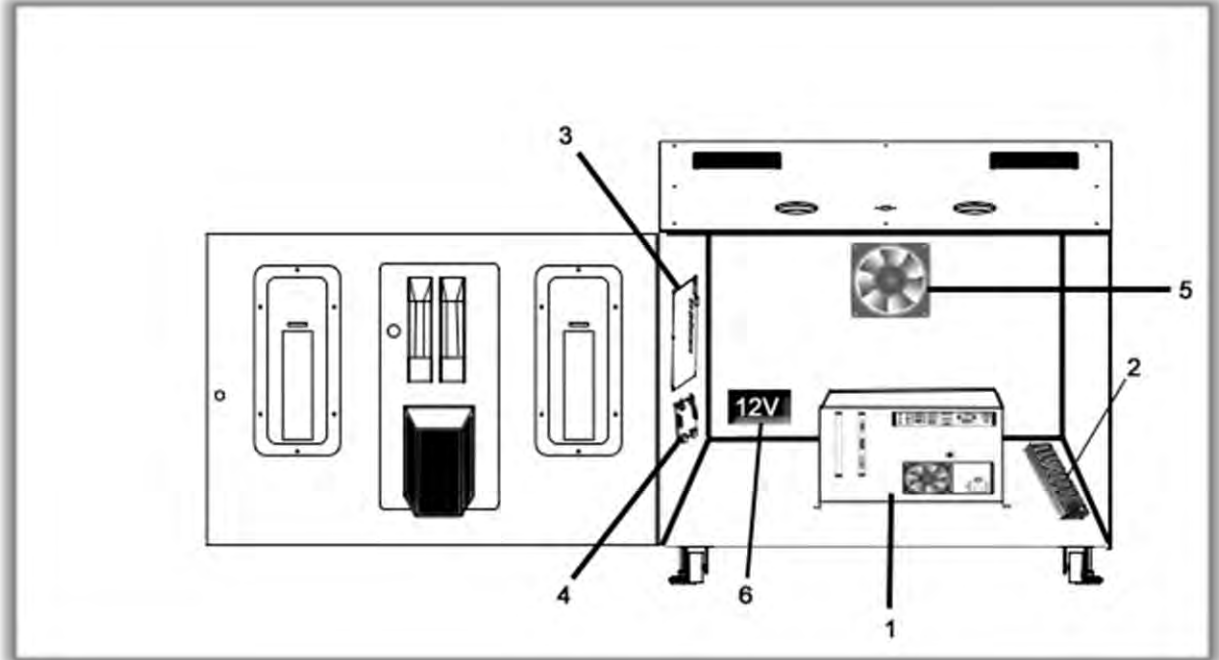
Ref	Part Description	Part #
1	Jumbo Blue Button	ADR-75-4002-12ZL
2	White Start Button	ADR-D54-0004-51
3	Jumbo Red Button	ADR-75-4002-10ZL
4	Wood Cabinet	ZFT-Bois
5	Pivot Wheels	INV-F25083
6	Levelling Mount	INV-62805K-39
7	Speakers	ADR-50-9986-00
8	Led Strip A & B	INV-14-1021 & INV-14-1022
9	Monitor 65"	MF-DO-65V
	Characters Dash LED	MF-14-1030-01

## Cash Box Parts



Ref	Part Description	Part Number
1	Ticket Door Assembly	ADR-40-0540-00
2	Coin Door	ADR-40-3000-06
3	Frosted Acrylic Led Cover	ACL-65
	Ticket Dispenser Entropy 2000	ADr-42-1337-00
	Ticket Bin	ADR-42-1015-00
	Meter 7-Digits	ADR-42-08012-072
	Coin Container	INV-07-1011

## Computer & Electronics



Ref	Part Description	Part Number
1	Computer	ADR-11-1011
2	Outlet Power Bar IEC4	INV-05-1241
3	I/O Board	INV-04-1201
4	Audio Amplifier Board	INV-14-0005
5	Fan 120mm 12V	ADR-FAN-120MM
6	12VDC 5A Power Supply	INV-14-0006
	LED Controller T-1000S	INV-14-1023
	SD Card	INV-14-1013-SD
	PCB RGB LEDs 5V Delay	INV-04-1303

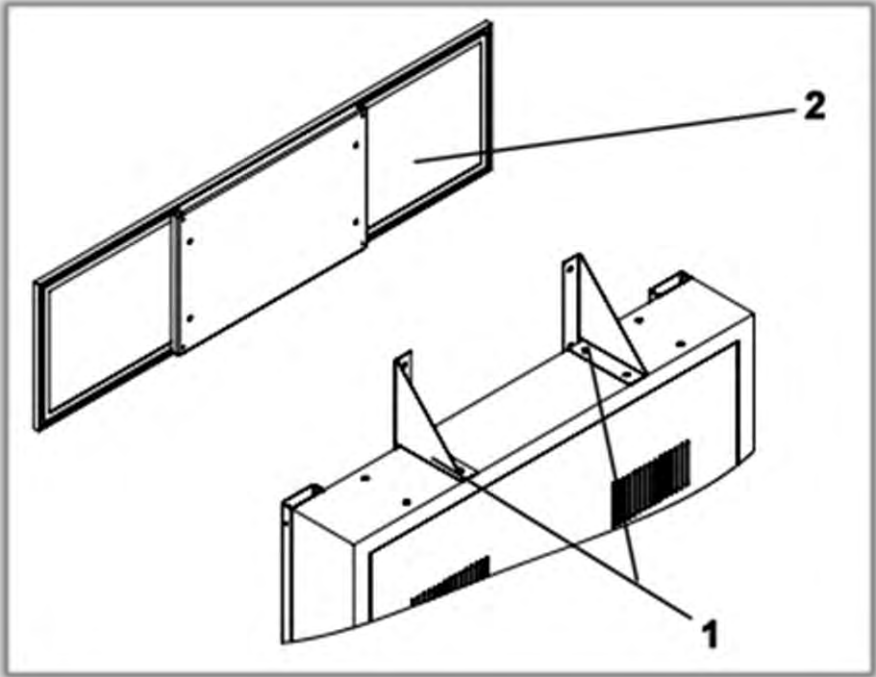


## Decal Prints



Ref	Part Description	Part Number
1	Header Lexan (Decal)	CR-09-1002
2	Left Side Decal	CR-09-1003
3	Front Decal	CR-09-1004
4	Right Side Decal	CR-09-1005
5	Acrylic Top Dash Board	CR-09-1006
	Sticker Start Button	FT-09-Start
	Sticker Tap Button	FT-09-Tap

### Header Parts



Ref	Part Description	Part Number
1	Header Brackets	ZTFX-01-1481
2	Header (LED Panel)	ADR-09-1017
	Header Metal Back Plate	ZTFX-01-1481

## Cabling

Part Description	Part Number
3 Feet USB "AB" cable	INV-USB-AB1-03
Long LED cable (inside the monitor)	MF-03-4050
Short LED cable (LED-A @ LED-B)	MF-03-4060
3.5mm to 2X Male RCA Audio Cable 6'	INV-35MM-RCAE-06

## Wiring Harness

Part Description	Part Number
IO Board (J1 & J3) Buttons & Operator	FT-03-4010
LED Light (J3)	FT-03-4020
Ticket Dispensers (J2 & J6)	FT-03-4030
Coin Acceptor (J7)	FT-03-4040
Cabinet Cable (Fan)	FT-03-4050
5V/12V Molex Extension	FT-03-4060
Harness for Long LED	MF-03-4050
Harness for Short LED	MF-03-4060

## Computer Parts

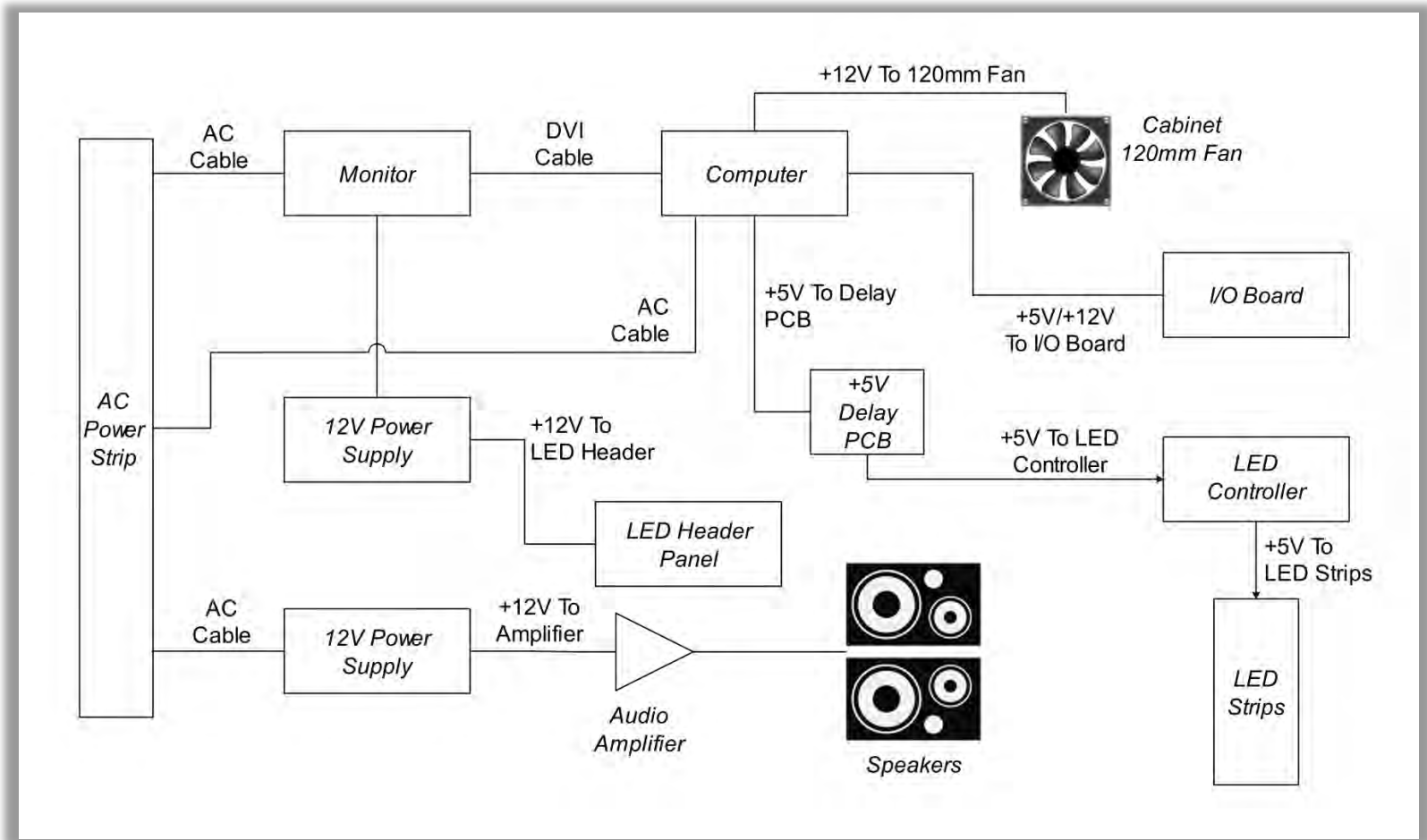
Part Description	Part Number
Motherboard AsRock QC5000	INV-11-1011
Video Card PCI-E Radeon	ADR-04-VCSAPH
Power Supply 500W	ADR-11-EVGA-PS
Hard Drive with OS & Game	INV-11-1017
USB Restore Flash Drive	ADR-11-2012

## Monitor Parts

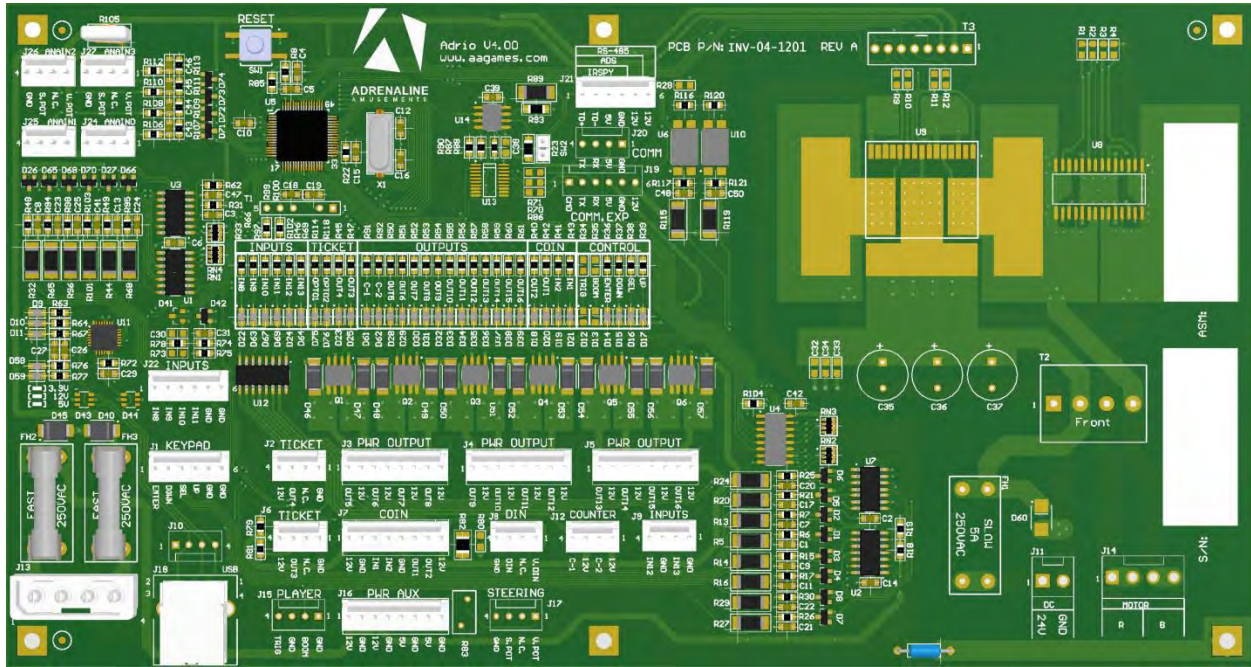
Part Description	Part Number
65" Monitor Power Board	INV-04-PB-65
65" Monitor Video Board	INV-04-VB-65

# Chapter 08 – Diagrams & Schematics

## Power Distribution



## I/O board INV-04-1201



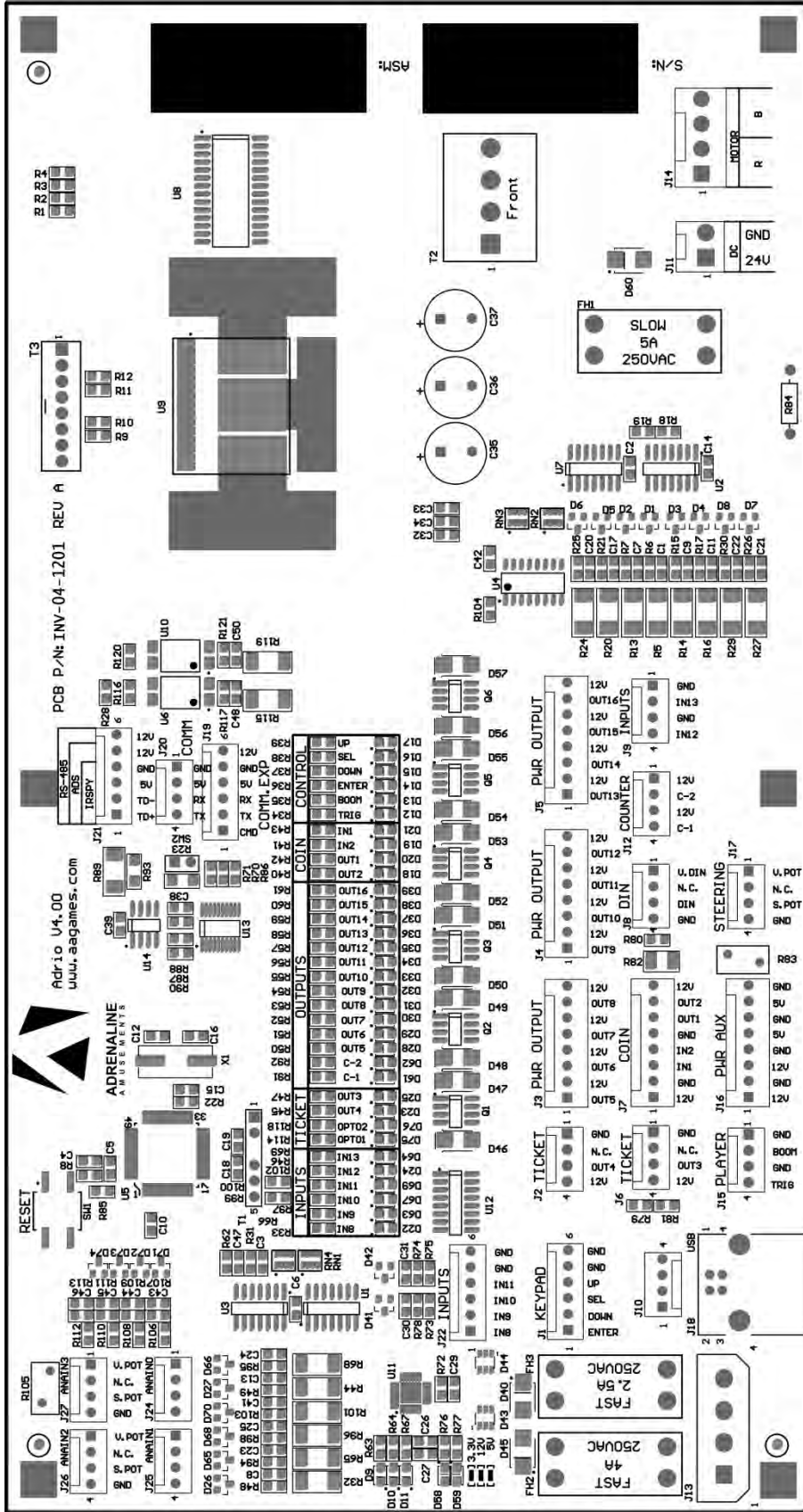
<u>J1</u>	<u>J2</u>	<u>J3</u>	<u>J4</u>
<p><u>Keypad</u></p> <ol style="list-style-type: none"> <li>(Green) Enter</li> <li>(Blue) Down</li> <li>(White) Select</li> <li>(Red) Up</li> <li>(Brown) GND</li> <li>(Black) GND</li> </ol>	<p><u>Ticket Dispenser (Right Player)</u></p> <ol style="list-style-type: none"> <li>(Black) GND</li> <li>(Orange) Opto1</li> <li>(Yellow) Out4</li> <li>(White) +12V</li> </ol>	<p><u>Buttons Lights</u></p> <ol style="list-style-type: none"> <li>(Green) Out5</li> <li>(Red) 12V</li> <li>(Orange) Out6</li> <li>(Black) +12V</li> <li>(Yellow) Out7</li> <li>(Brown) +12V</li> <li>No Use</li> <li>No Use</li> </ol>	<p><u>Dash Lights</u></p> <ol style="list-style-type: none"> <li>(Black) Out9</li> <li>(Red) 12V</li> <li>No Use</li> <li>No Use</li> <li>No Use</li> <li>No Use</li> <li>(Yellow) Out12</li> <li>(White) +12V</li> </ol>
<u>J5</u>	<u>J6</u>	<u>J7</u>	<u>J8</u>
No Use	<p><u>Ticket Dispenser (Left Player)</u></p> <ol style="list-style-type: none"> <li>(Brown) GND</li> <li>(Green) Opto2</li> <li>(Blue) Out3</li> <li>(Red) +12V</li> </ol>	<p><u>Coin Switches</u></p> <ol style="list-style-type: none"> <li>(White) +12V</li> <li>(Black) GND</li> <li>(Red) IN1</li> <li>(Yellow) IN2</li> <li>(Blue) GND</li> <li>(Brown) OUT1</li> <li>(Orange) OUT2</li> <li>(Green) +12V</li> </ol>	No Use

Crossy Road Manual V4.0  
Chapter 08 – Diagrams & Schematics

<b><u>J9</u></b>	<b><u>J10</u></b>	<b><u>J11</u></b>	<b><u>J12</u></b>
No Use	No Use	No Use	No Use

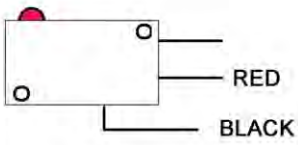
<b><u>J13</u></b>	<b><u>J14</u></b>	<b><u>J15</u></b>	<b><u>J16</u></b>
<u>5V/12V Input DC</u>	No Use	No Use	No Use
<b><u>J17</u></b>	<b><u>J18</u></b>	<b><u>J19</u></b>	<b><u>J20</u></b>
No Use	USB to Computer	No Use	No Use
<b><u>J21</u></b>			
No Use			

Crossy Road Manual V4.0  
 Chapter 08 – Diagrams & Schematics

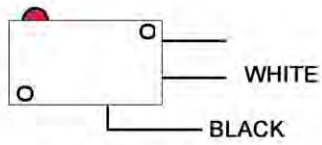




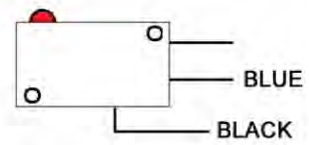
### IO Board J1 connector



Blue Button

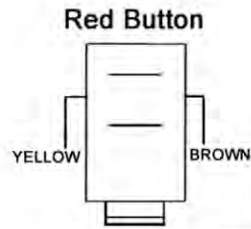
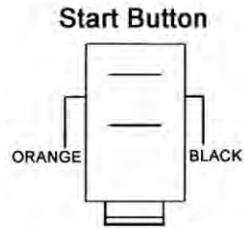
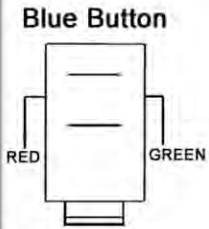


Start Button



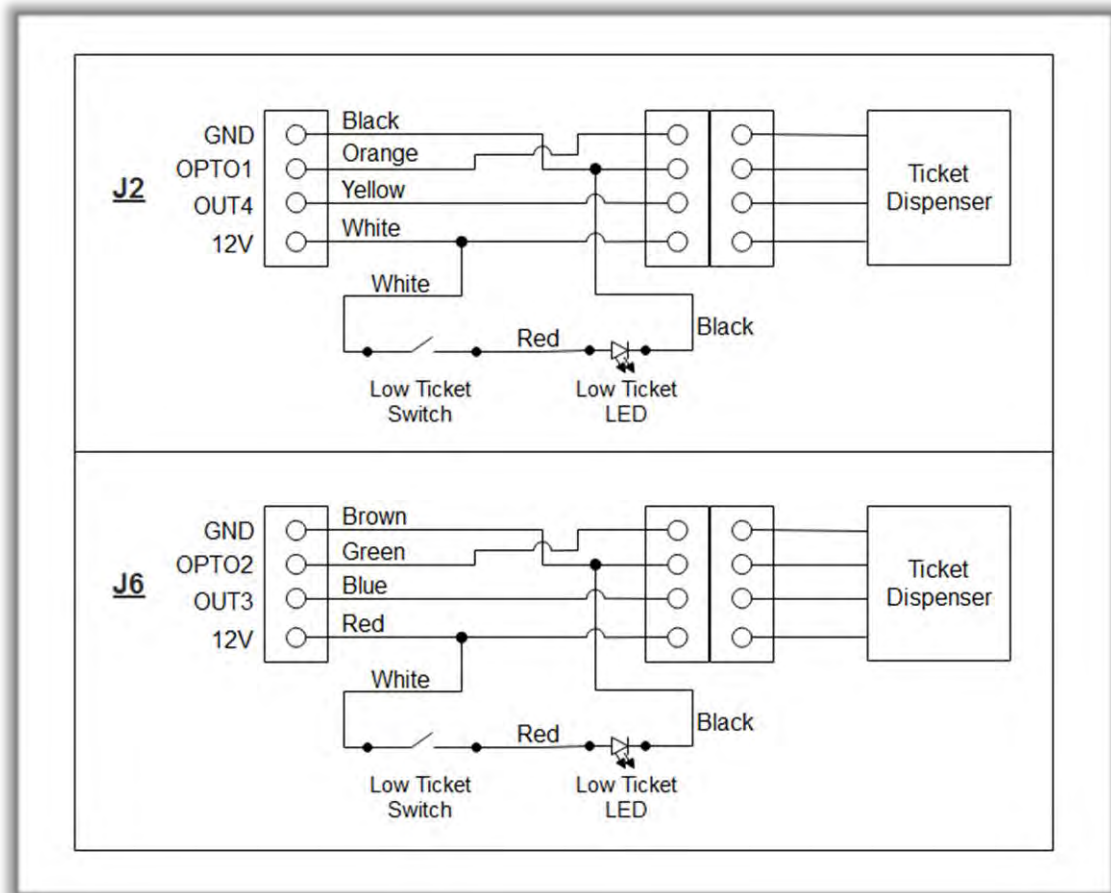
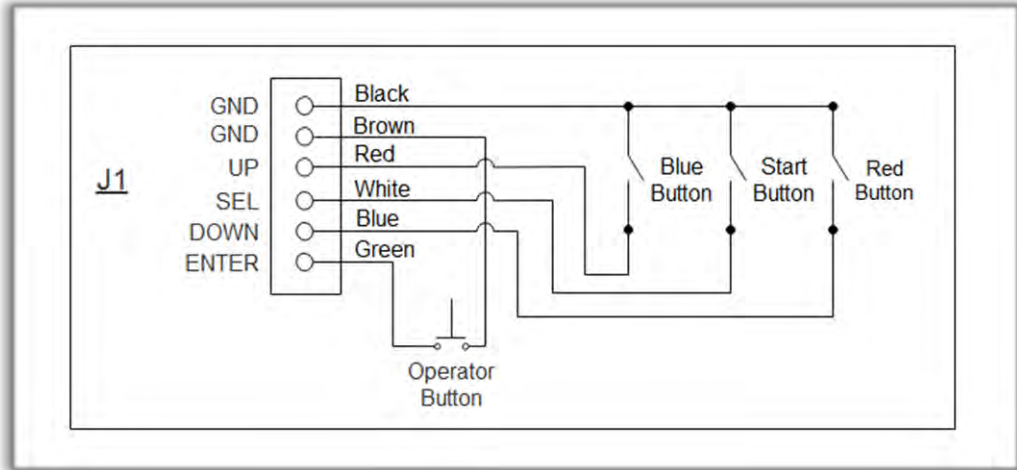
Red Button

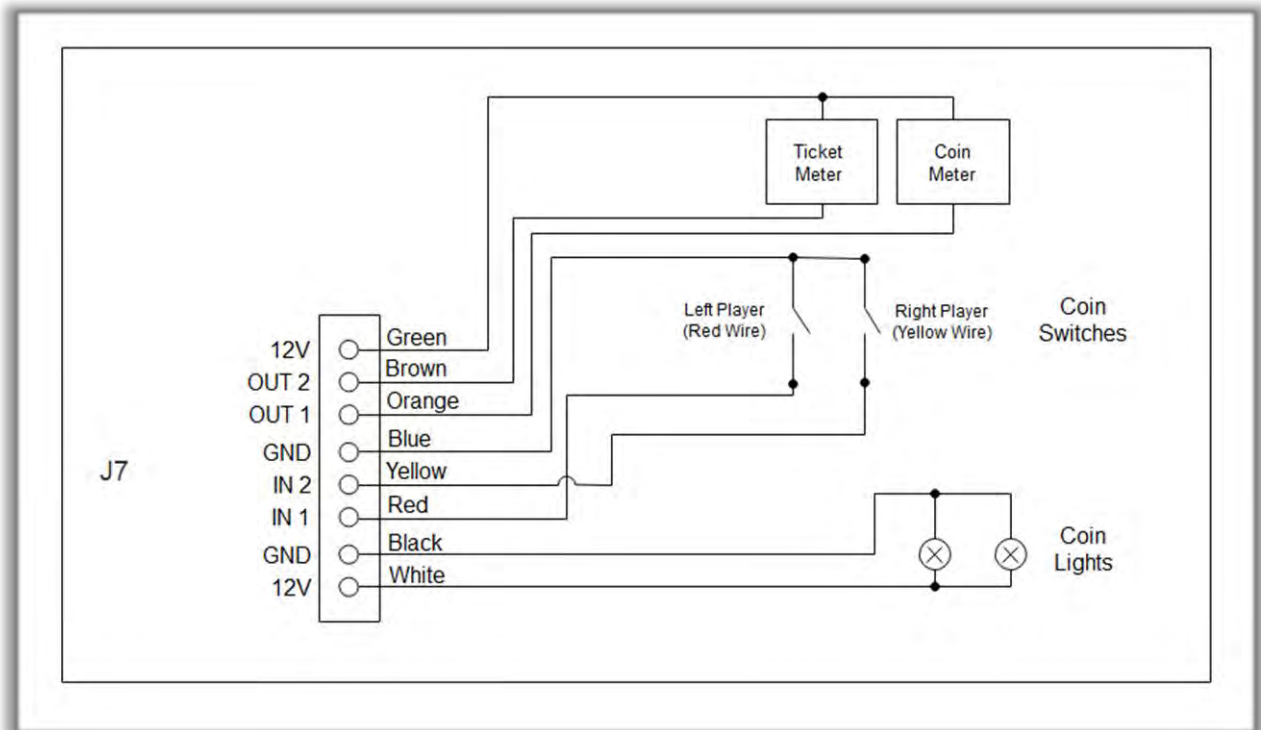
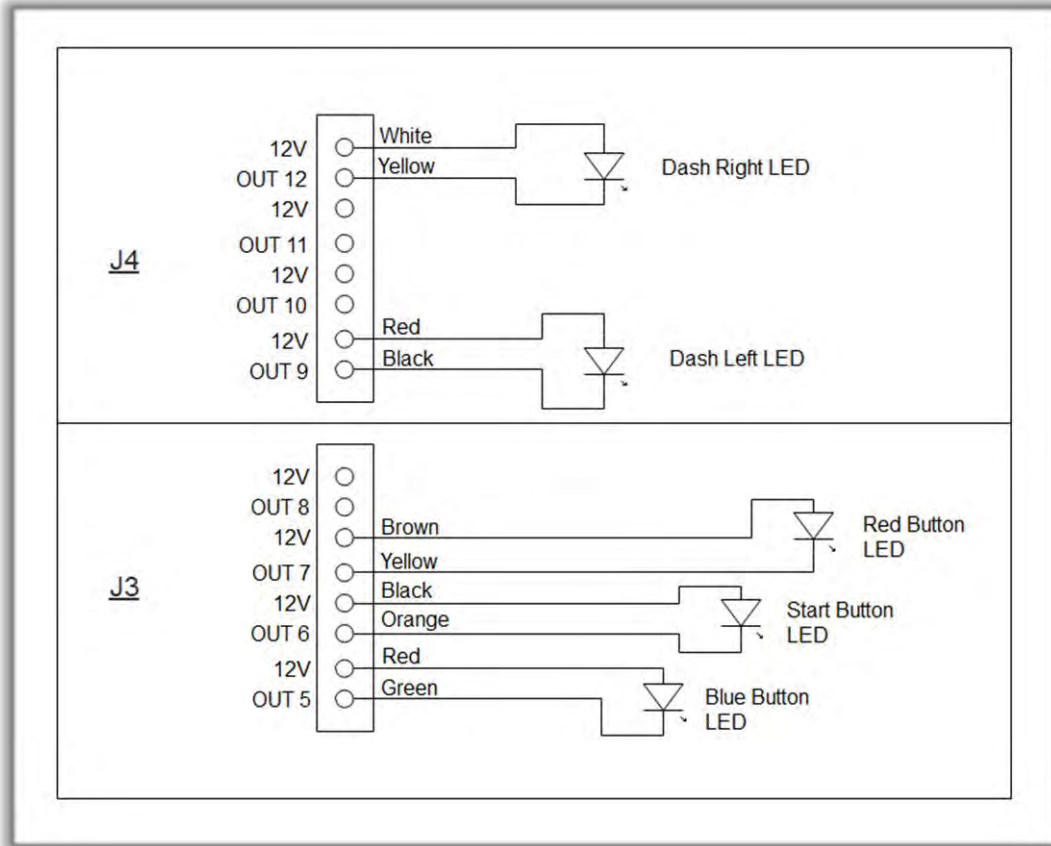
### IO Board J3 connector



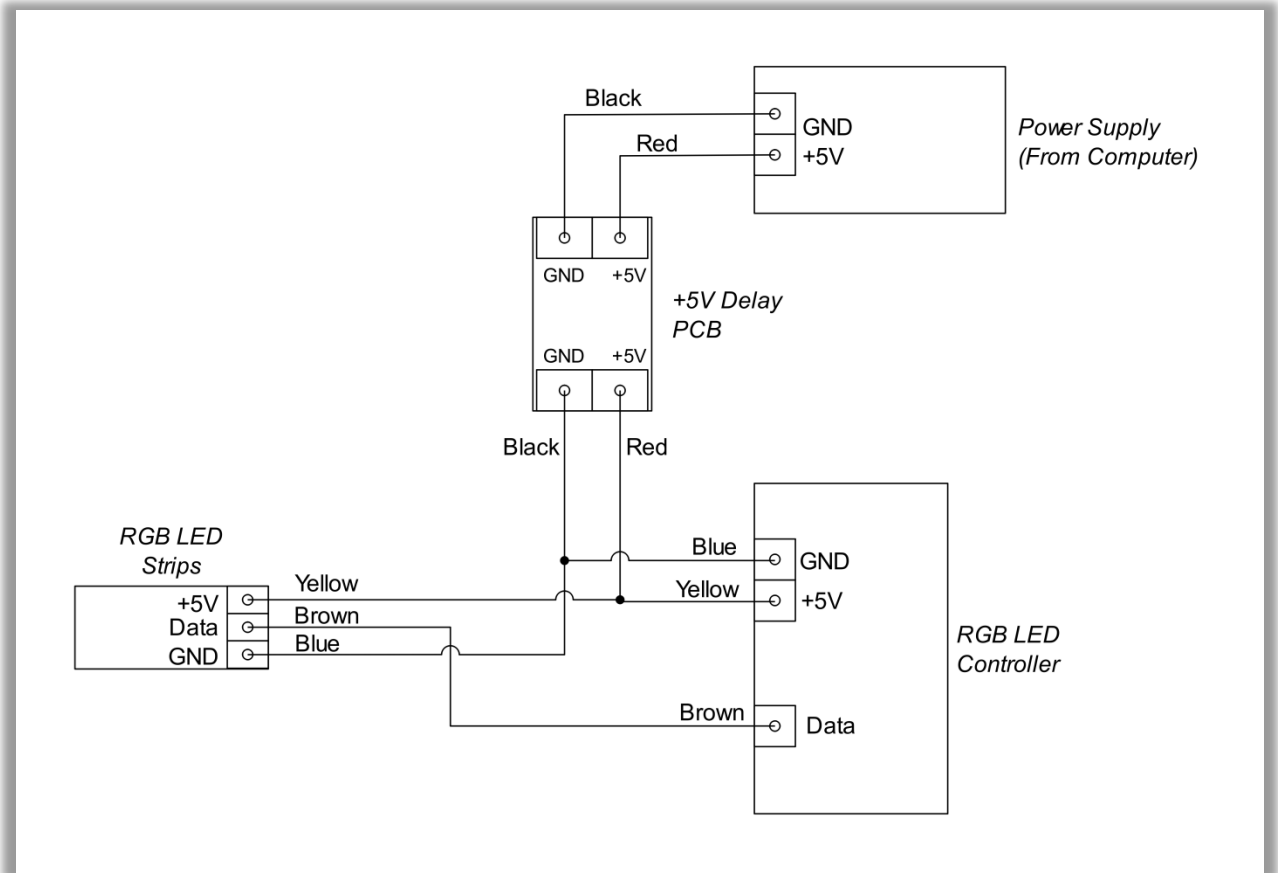


## I/O Board Wiring

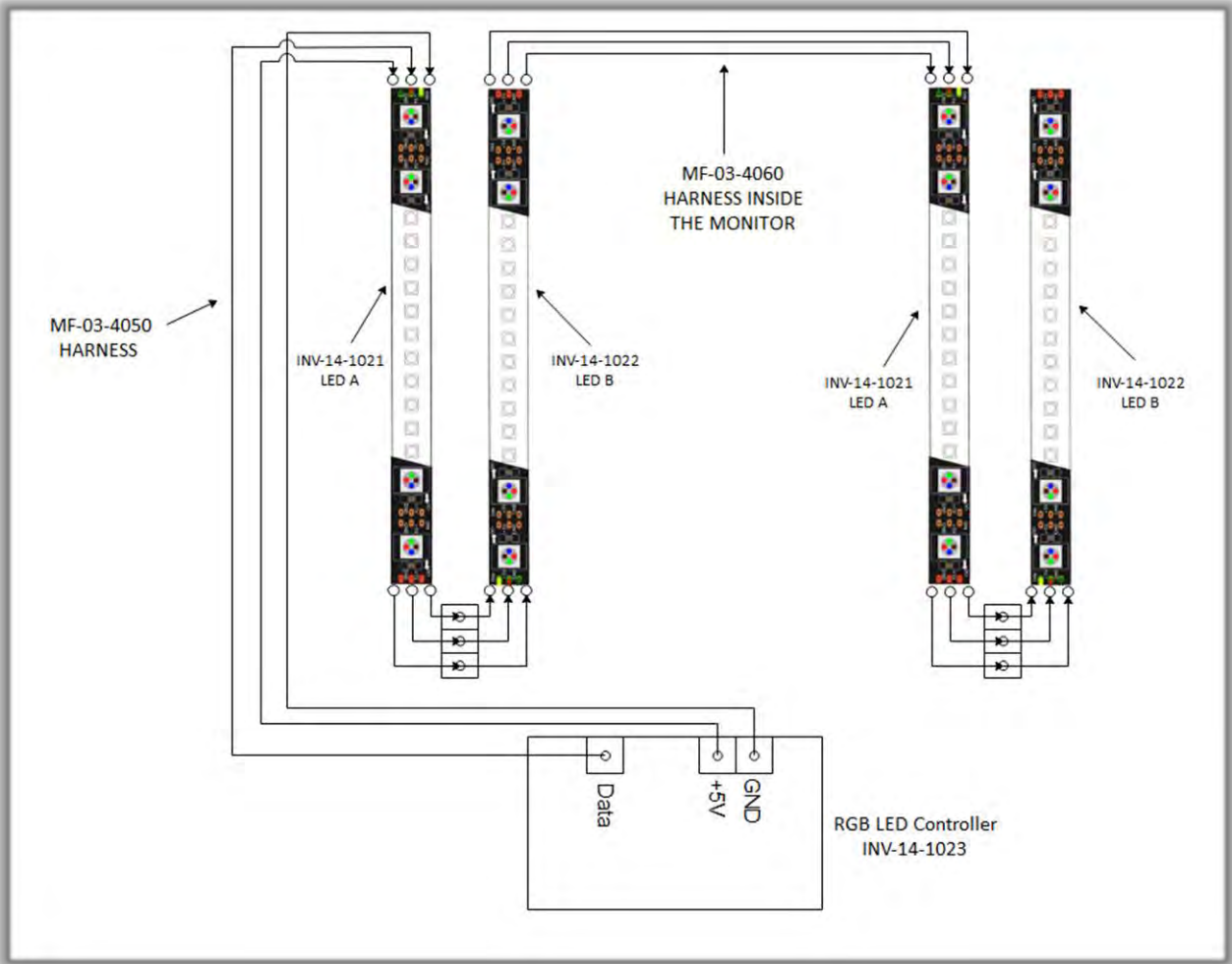




## RGB LED Controller Power Wiring Diagram



# RGB LED Wiring Diagram

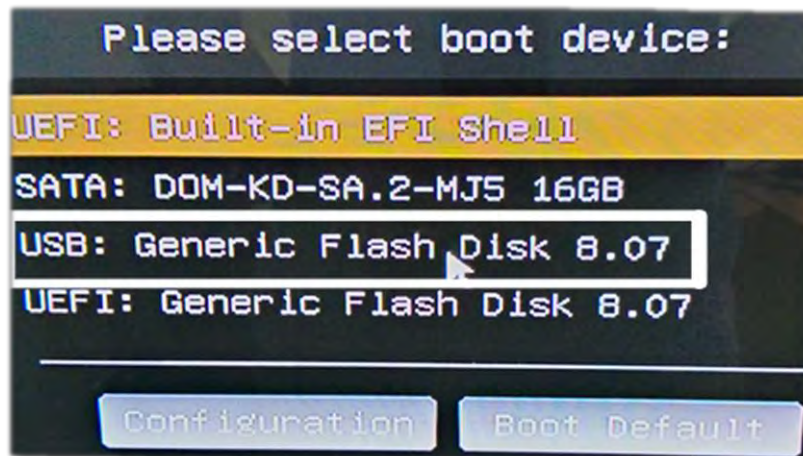
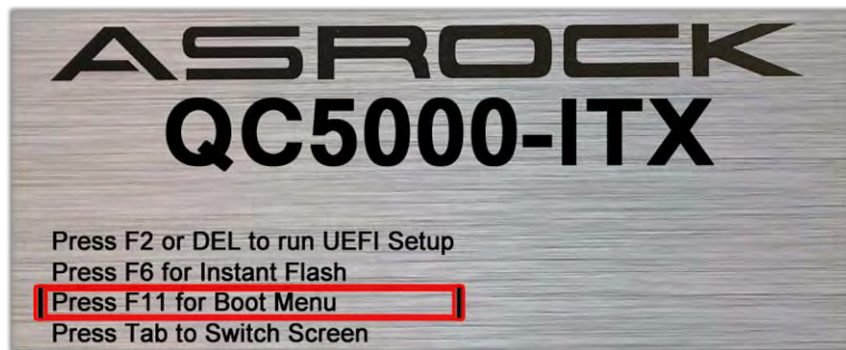


## Chapter 09 – Software Recovery

---

If your unit software needs to be restored please follow those instructions.

- Connect a USB keyboard to the motherboard.
- Verify that the USB Recovery flash disk is in a **Black** USB port.
- Power on the unit.
- Press F11 on your keyboard when the AsRock splash screen is displayed to enter the boot menu.
- Choose USB: and press Enter.

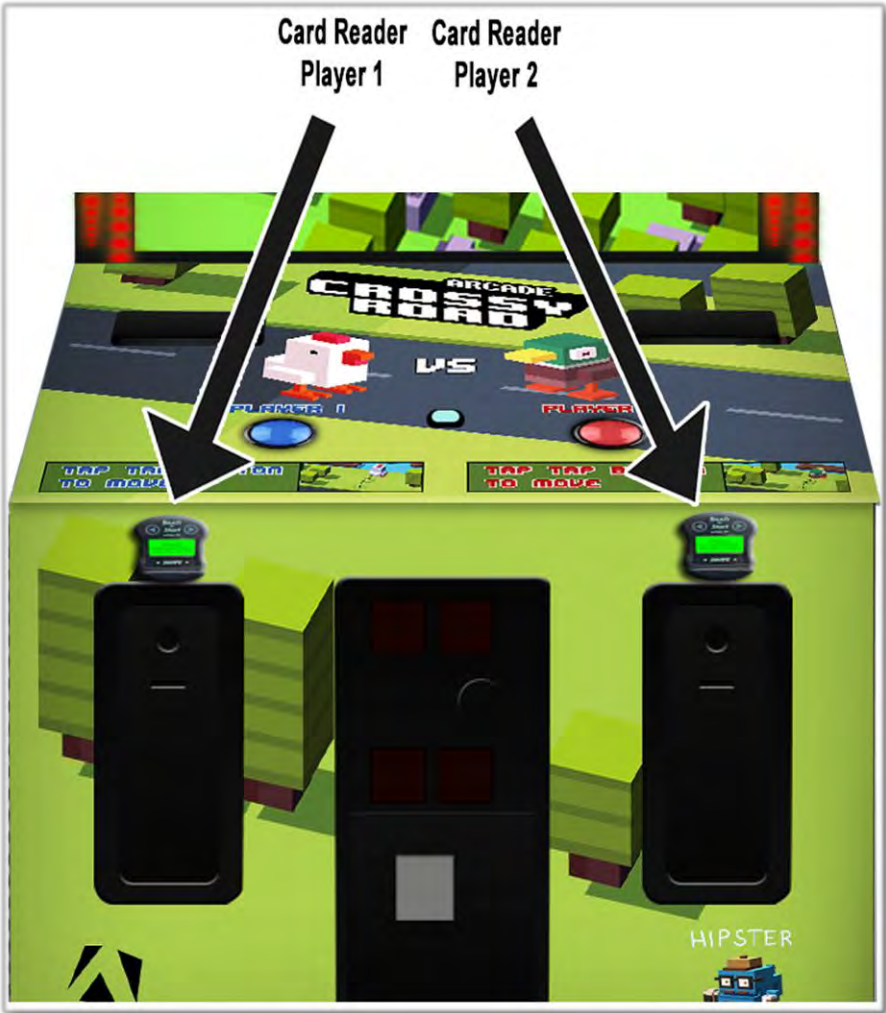


The process takes 25-30minutes and the unit will reboot back in the game at the end. The Wireless credentials will need to be re-entered and Operator settings will be back at the default ones.

# Chapter 10 – Card Reader


**If you use a card reader system, it is important to follow those instructions.**

You need to install 2 card readers, one for each player. Install them above each ticket doors. Configure your Operator settings as seen on page 14-15.

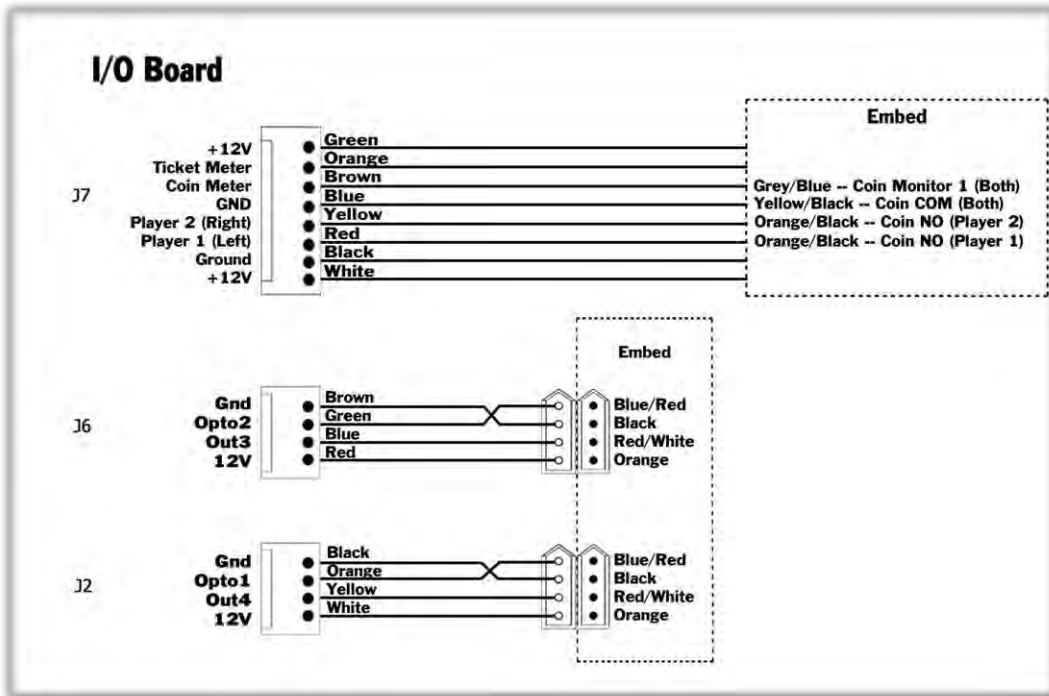


## Embed System

If you are using an Embed system, you need to connect your harnesses to Adrenaline Amusements I/O board & harnesses. You should refer to the Embed instructions manual for wiring pin-out but here's Embed V5 example:



Pin	Wire Color	Signal	I/O	Pin	Wire Color	Signal	I/O
1	Orange	12 VDC	I	2	Orange	12 VDC	I
3	Black	Ground	O	4	Black	Ground	O
5				6	Yellow/Black	Coin COM	O
7	Orange/Black	Coin NO	O	8	Yellow/Black	Coin COM	O
9	Grey/Blue	Coin Monitor 1	I	10	Grey/Black	Coin Monitor 2	I
11	Blue/Red	Game Notch 1	O	12			
13	Blue	Ticket Notch 1	I	14			
15	White	Ticket Drive 1	O	16			
17	White/Red	Game Drive 1	I	18			







# Limited Warranty Policies

---

Customers must provide the unit serial number when claiming any warranty request.

Adrenaline Amusements (AAGames) warrants this Arcade unit (Including accessories) against defects in material or workmanship as follows:

This unit has 1 year warranty against defective hardware from date of delivery.

Other than abuse or improper servicing, Adrenaline Amusements covers at no charge the replacement parts including standard shipping.

Customers have 30 days from delivery date to return back the defective equipment at their fees or they will be billed automatically.

**Improper servicing or abuse will VOID existing warranties.**

All warranty request needs to be validate with our technical support department.

After the 1 year warranty, Adrenaline Amusements offers repairs & sales services options. Please contact the technical support department for information.

Adrenaline Amusements  
1150 rue Levis, Suite 302  
Terrebonne, QC  
J6W5S6 Canada  
+1.450.824.1671