



STINKY FEET

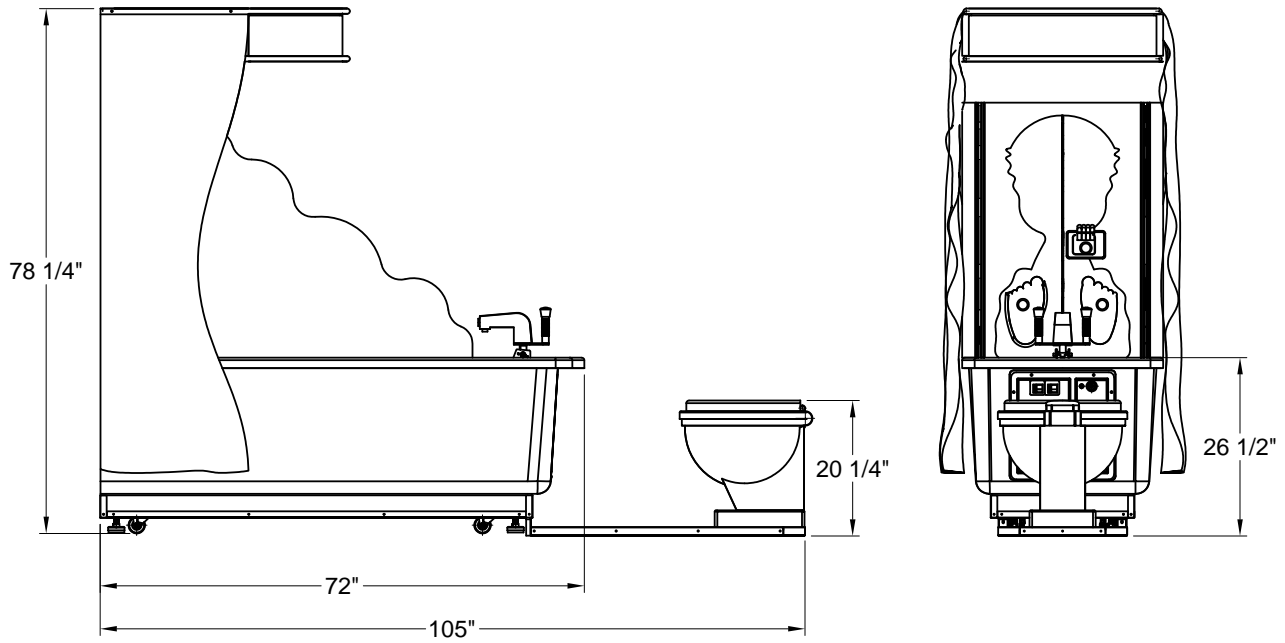
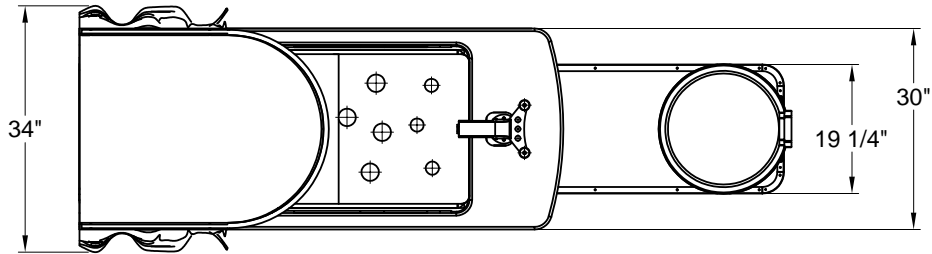
ANOTHER GREAT NEW GAME DESIGN BY BMI!

-  MULTIPLE TARGETS
-  PROGRESSIVE PLAY
-  COIN OPERATED
-  TICKET DISPENSING
-  FUN FOR ALL AGES
-  EXCITING, EASY GAME PLAY

CONTACT US FOR MORE DETAILS.



STINKY FEET



ALL PARAMETERS ARE APPROXIMATE AND SUBJECT TO CHANGE WITHOUT NOTICE

Power Requirements

6 amps 110V

Game Weight: 518 lbs.

Crated Dimensions & Weight

TBD Long x TBD Wide x TBD High

Weight: TBD lbs.

Bob's Space Racers, Inc.

