



**CATCH THE NEWEST BEAT!!**

# **BONGO BEAT!**

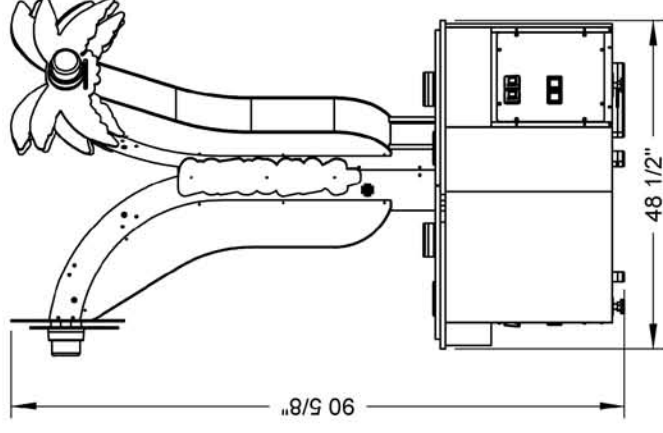
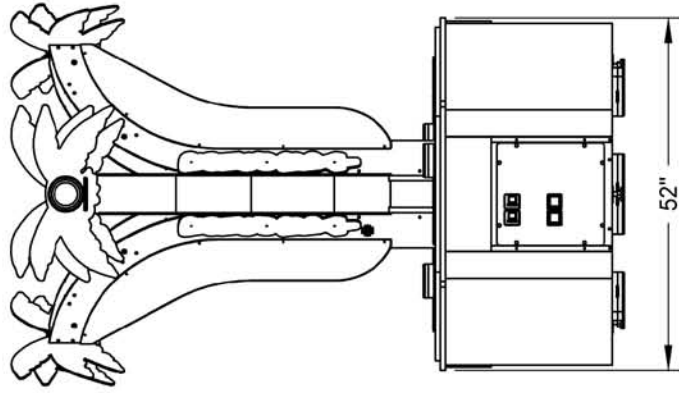
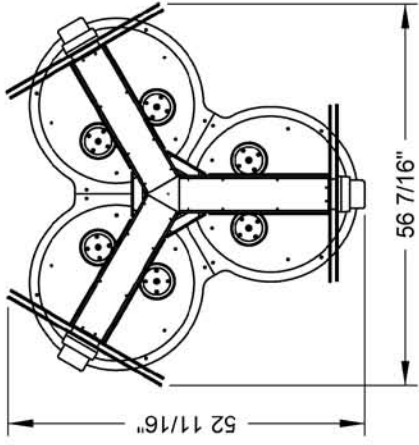
## **3 UNIT ARCADE MODEL**

The player uses their hands to push down 3 drum heads moving up. As you push them down a monkey will travel up a curved track. First Monkey to reach the top WINS!

- 1 to 3 players can play.
- Easy play for all ages.
- Multi-play pay out is like our Water Blast game.
- Great game for all kinds of redemption areas.
- Fast action.
- Great fun for everyone.

**DESIGNED FROM OUR  
GREAT NEW BONGO BEAT  
GROUP GAME**





**Power Requirements**

7.7 (max) amps 120 V

**Crated Dimensions & Weight**

71" Long x 71" Wide x 98" High

Weight: 660 lbs.

Bob's Space Racers, Inc.

