




# Big Dog Pounder

 Great NEW game play,  
NO HAMMER! Just push  
the BONE down, the more  
balls you feed the Big Dog  
the more you win.

 Standard.

 \*Hammer optional.

 Great NEW smaller size.

 Easy access door for  
the air compressor.

## Fun for all to play

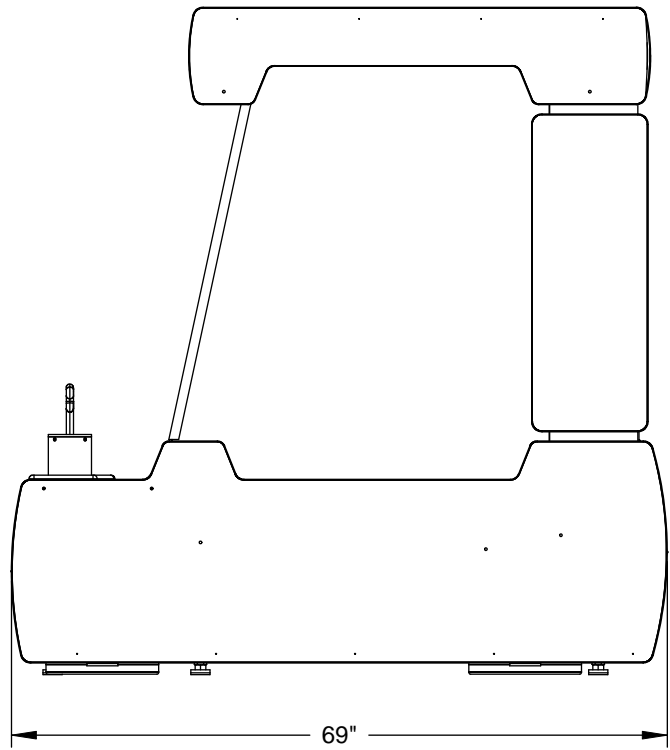
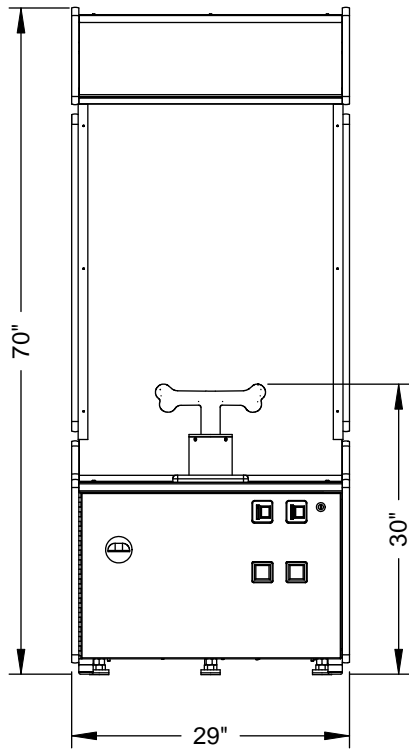
\*AIR COMPRESSOR NOT INCLUDED\*  
REQUIRED: 2 gal. tank capable of supplying  
90 CFM @ 90 PSIG



Call PSI for your  
big distributor for more info



# BIG DOG



Power Requirements	
8 amps	120 V
Crated Dimensions & Weight	
73" Long x 32" Wide x 76" High	
Weight: 550lbs.	

Bob's Space Racers, Inc.

