

INTERACTIVE ATTRACTION 5D

TRANS- FORCE

The Four seat cabin is fitted with individual joysticks, one for each seat. A stereo image system, utilizing optical shutter glasses and high definition projection onto a large panorama screen, is used.

The Cabin is fitted with a 3 DOF motion system providing dynamic movement, quick acceleration, large incline angles (20-40 degrees), as well as special effects of vibration system.



OVERALL DIMENSIONS:

- footprint: 9 m² / 96.8 ft²
- height: 2.7 m / 8.9 ft

INTERACTIVE 5D SHUTTLE:

- 4 seats
- individual vandal-proof joysticks
- emergency stop button
- video surveillance system (internal and external cameras)

PANORAMIC SCREEN

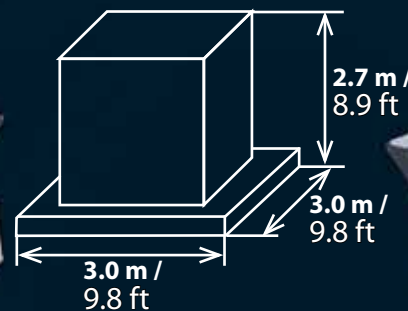
- size 2.0 x 1.5 m / 6.6 x 4.9 ft

PROJECTION SYSTEM

- stereo, HD 1280 x 800
- LCD shutter glasses

MOTION PLATFORM 3 DOF

- inclined angles: 20-40 degrees
- vibration system



EDUTAINMENT PROGRAM LIBRARY



TRIP TO THE MOON

You are leaving for an extremely exciting trip on the spacecraft Buran-2 and will have an opportunity to feel like a real spaceman. During the trip you are to dock to the International Space Station, visit the Space museum on the Moon and become active participants in a robot race. When the asteroid flow starts, be very careful and keep shooting for dear life.



BACK TO THE PAST

You have a unique opportunity to make an exciting trip back to the past! 300 Million years ago there was the Carboniferous Period on Earth. It was time of giant insects and plants. Robot Forcey will be your guide on an exciting tour of Earth's history. When you get in the Meteorite shower, move around quickly to avoid being hit!



GLITCH PLANET

Mad robots have attacked and occupied little Glitch planet that is situated at the outskirts of the Universe. The Trans-Force ship leaves for rescue operation, but it turns to be more complicated and dangerous than Forcey -our robot-guide - thought. Trans-Force crew has to fight lots of evil robots, who will definitely try to destroy the ship.



Un Happy Land

In the beginning, there is no sign of trouble. We are going to shoot at air balloons and parachutes. But the evil master does not like such kind of merrymaking. Thousands of skeletons and mad robots are trying to enslave the planet. You are the only hero who has the power to rescue it!



ROBOT MARY and the Evil Crashers

The alarm signal is received from Happy Land planet. Evil crashers have captured the planet and their terrible leader swallowed the Holiday and disappeared at the bottom of the sea! Only you can rescue the planet and Holiday! The planet duty officer – enchanting Robot Mary – will help you to complete this difficult mission.



ENTERTAINMENT SIMULATORS

HELICOPTER SIMULATOR

MILITARY SPEED BOAT SIMULATOR

TANK SIMULATOR

UNDERWATER WORLD

Coming Soon

