



Assembly Instructions

Thank you for purchasing a Shelti product. All of us at Shelti want you to be completely satisfied with your Slapshot Dome Hockey game, so feel free to contact us for help with the assembly of your product, Shelti parts, or other information you may require.

Tools Required:

- 14mm Wrench or Socket (Included)
- 12mm Wrench or Socket (Included)
- 4mm Hex Wrench (Included)
- Phillips Head Screw Driver
- Level

Step #1 - Remove Parts from Box

Remove the pedestal from its box. Locate and remove the leg levelers and bolt package.

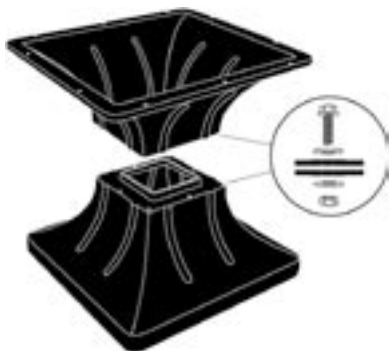
<u>Contents</u>	<u>Part Number</u>	<u>Quantity</u>
Dome Hockey Cabinet	DM-DPA-0	1
Split Pedestal	DM-PDA-1	1
Accessory Package	DM-ASA-0	1
Assembly Instructions	210-0130-1	1

Accessory Package Contents

Leg Levelers	201-0074-0	4
Cabinet Bolt - Hex Head M8x55mm (1 Extra)	301-0043-0	11
Cabinet Washer - M8 (1 Extra)	303-0025-0	11
Hex Wrench - 4 mm	205-0057-0	1
Electronic Scoring Unit	210-0180-0	1
Flat Head Screw - Phillips Head M5x12mm	301-0044-0	2
9/16 Washer - M6 (Not needed)	303-0026-0	2
Nut - M5	302-0016-0	2
Rounded Head Screw - Phillips Head M3x14mm	301-0045-0	1
Washer - M5	303-0027-0	1
Dome Hockey Puck (1" Dia.)	210-0131-0	3
Pedestal Bolt	301-0058-0	8
Pedestal Washer	303-0030-0	16
Pedestal Nut	302-0022-0	8

Step #2 - Assemble the Pedestal

Bolt both pedestal halves together with a bolt, two washers and a nut for each of the eight holes as shown.



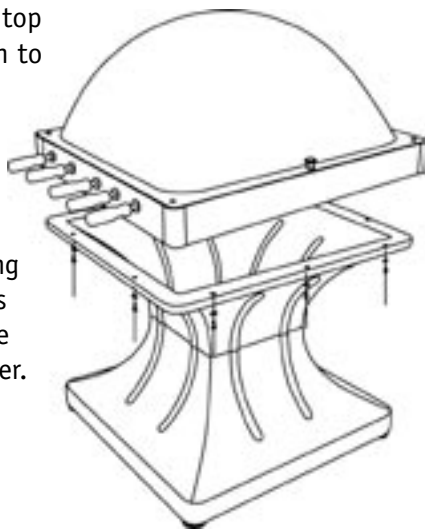
Step #3 - Attach the Leg Levelers

Attach all four leg levelers into the bottom of the assembled pedestal. Screw them in clockwise all the way, but do not tighten them.



Step #4 - Attach Playfield Cabinet

Carefully place the top half of the game on to the pedestal. Note that the end with the handles lines up with the side of the pedestal with (2) bolt holes. Using (10) hex head bolts and washers, secure both halves together.

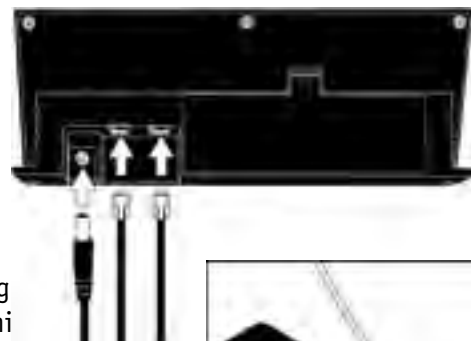


Step #5 - Level the Playfield

Lift the dome to access the inside by pulling up on the handle attached to the dome. Do not allow the dome to swing all the way open without supporting it. Place a level across, lengthwise, and diagonally into the four corners. Raise and lower the appropriate leg leveler.

Step #7 - Attach the Electronic Scoring Unit

Locate the two wires coming out of the hole located on the hinge side of the dome. Plug them into the scoring unit as shown. The scoring unit can be powered either by using the AC adapter provided and plugging it into a standard 110 outlet or use (4) AA batteries (not included). Bolt the scoring unit to the edge of the dome using the (2) nuts and bolts provided (washers are not needed). Slip the bolt through the bottom of the dome and scoring unit and tighten with the bolt and a phillips head screwdriver. Be careful not to pinch the wires for the scoring unit in the dome when lifting it. The scoring unit can also be optionally attached with a screw and washer to the front of the unit. Slip the screw through the small hole in the dome from the inside and tighten.



Step #7 - Operating the Scoring Unit

Turn the power switch to "on". Select desired game option. By default, it begins with the 15 minute game option. To change the game option, push the "select" button. There are seven total options including "Free play" which has no time limit or scoring limit. After choosing a game option, push the "Start" button to begin. To start over, press the "Reset / Start" button again. The volume switch has three settings: High, Low and Off.

