

# Hoop FEVER™



## **OWNERS AND SERVICE MANUAL INNOVATIVE CONCEPTS IN ENTERTAINMENT INC.**



# TABLE OF CONTENTS

INTRODUCTION.....	PAGE 3
• GAME FEATURES	
• GAME PLAY	
ASSEMBLY.....	PAGE 4 - 6
• SAFETY PRECAUTIONS	
• GAME SET-UP	
CUSTOMIZING YOUR GAME.....	PAGE 7 - 9
• ENTERING SET-UP MODE	
• CHANGING GAME SETTINGS	
• PROGRAMMING MODES	
QUICK TROUBLESHOOTING.....	PAGE 10
MAINTENANCE & TROUBLESHOOTING.....	PAGE 11 - 14
• OPERATIONAL BACKGROUND	
• MECHANICAL REPAIR	
• MECHANICAL MAINTENANCE	
• ELECTRONIC & ELECTRICAL REPAIR	
OPTIONAL ACCESSORIES.....	PAGE 15
• TICKET DISPENSER	
• DOLLAR BILL VALIDATOR	
ABOUT LINKING.....	PAGE 16
PARTS LISTING.....	PAGE 17-18
BALL GATE ASSEMBLY.....	PAGE 19-20
WARRANTY INFORMATION.....	PAGE 21

# INTRODUCTION

## GAME FEATURES

**HOOP FEVER™** is a revolutionary concept in Coin Operated basketball games. You will see that this game includes many features which make it the obvious choice for your location

**HOOP FEVER™ PLAY.** **HOOP FEVER™** incorporates a STATIONARY basket that is user friendly and realistic. Fun and easy to play for players of all ages, yet challenging enough for even the expert basketball players. Practice your basketball skills and try to better your last score or compete against three other players.

**CONTROL PANEL.** Attractive LED displays are used to display all scoring and vital information such as time, credits and high score. The control panel is laid out in a convenient user friendly fashion, making it easy for players to operate.

**HEAVY DUTY CONSTRUCTION** is incorporated throughout the game by using only heavy gage metals and plastics. The game can be assembled and disassembled many times without any harm to the game. You will appreciate this feature if you move your games often.

**HIGH TECH GAME ELECTRONICS.** Solid state electronics are used throughout the game for their rugged reliability as well as making it virtually impossible to connect harnessing the wrong way. Heavy duty optical sensors are used throughout.

Digital sound effects are used for optimum dependability. Over twenty sound effects are incorporated into the sound effect circuitry. The game electronics have been highly integrated into the Main PC Board assembly, making it easy to repair games. The game has a full feature self-test system to make troubleshooting easier.

**OPTIONS.** A ticket dispenser and/or a dollar bill validator can be ordered with your game.

## GAME PLAY

**HOOP FEVER™** is an electromechanical coin operated amusement game designed to be played by one to four players.

**HOOP FEVER™** is a game similar to the traditional basketball games already on the market. However, we have made this an even more exciting game. The net remains stationary as the player shoots over and over. Two points are awarded for each basket scored. When 10 seconds remain in the game, it awards the player three points for all baskets scored.

**LINKING** is a popular option used in locations where more than one game is to be used. The games are "linked" to add direct head to head action between the game players. This option is built into each Main PC Board, and is easy as connecting a phone line and setting a number in the programming mode.

# ASSEMBLY

## BEFORE YOU BEGIN

**WARNING: WHEN INSTALLING THIS GAME, A 3 PRONG GROUNDED A.C. RECEPTACLE MUST BE USED. FAILURE TO DO SO COULD RESULT IN INJURY TO YOURSELF OR OTHERS. FAILURE TO USE A GROUNDED RECEPTACLE COULD ALSO CAUSE IMPROPER GAME OPERATION, OR DAMAGE TO THE ELECTRONICS**

**DO NOT DEFEAT OR REMOVE THE GROUNDING PRONG ON THE POWER CORD FOR THE SAME REASON AS GIVEN ABOVE. USING AN IMPROPERLY GROUNDED GAME COULD VOID YOUR WARRANTY.**

**HAVE A QUALIFIED ELECTRICIAN CHECK YOUR A.C. RECEPTACLE TO BE SURE THE GROUND IS FUNCTIONING PROPERLY.**

## TOOLS NEEDED

Before you start, you will need the following items:

- 7/16" Combination Wrench
- 7/16" Deep Well Socket
- Ratchet
- Side Cutters
- Adjustable Pliers
- #2 Square Drive Bit
- 5/32" Security Wrench

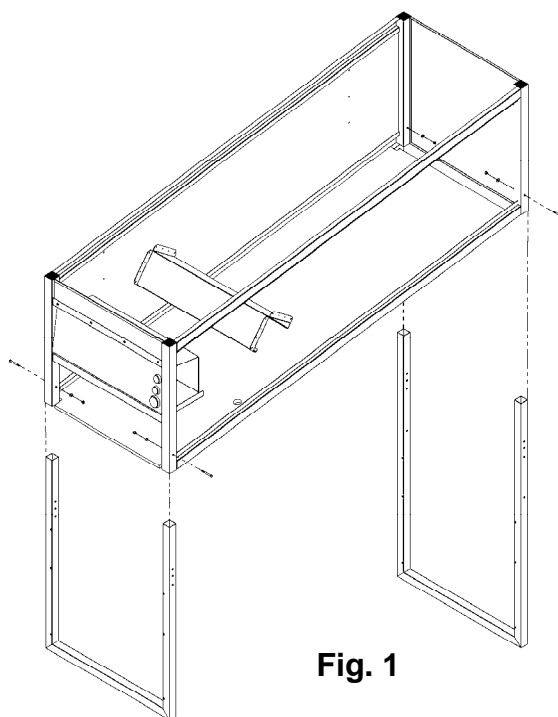
If you plan on moving your game often, or would like to speed up assembly, a cordless Drill is a good idea.

Your game requires a **MINIMUM CEILING HEIGHT** of 96" (8 feet). Check clearance before proceeding.

## SET-UP

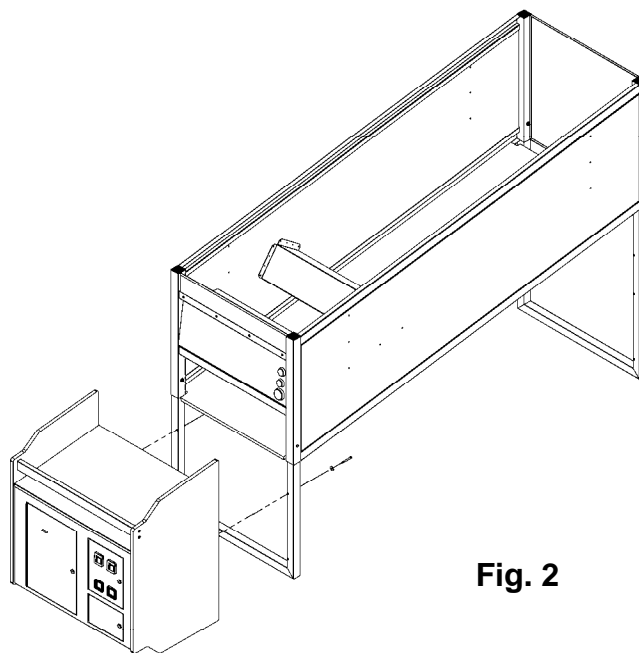
1. To begin, remove the game from the shipping containers.
2. Locate the main framework of the game. It may be easier to assemble if the framework is laid on its side.
3. Locate the two "U" shaped legs, and insert them into the bottom of the frame. At the front of the frame, use the set of holes closer to the bottom of the legs. At the rear of the frame, use the holes closer to the top of the legs. Secure with (4) 1/4-20 X 2 1/2" bolts, (8) flat washers and (4) Nylock nuts. (See Fig. 1)
4. Stand the frame up and move it into its permanent position. It is a good idea to carry the frame rather than slide it.

**NOTE: IT WOULD BE A GOOD IDEA TO GET HELP WHEN LIFTING THE GAME TO THE UPRIGHT POSITION. THREE PEOPLE RECOMMENDED. THIS WILL KEEP THE GAME FROM SLIDING WHEN LIFTED.**



**Fig. 1**

5. Move the cabinet to the front of the frame and bolt it to the frame by installing the mounting bolts through the back of the front legs and into the front cabinet's mounting holes. Secure with (6) 1/4-20 X 3" security head Allen bolts and 6 flat black washers. (See Fig. 2)



**Fig. 2**

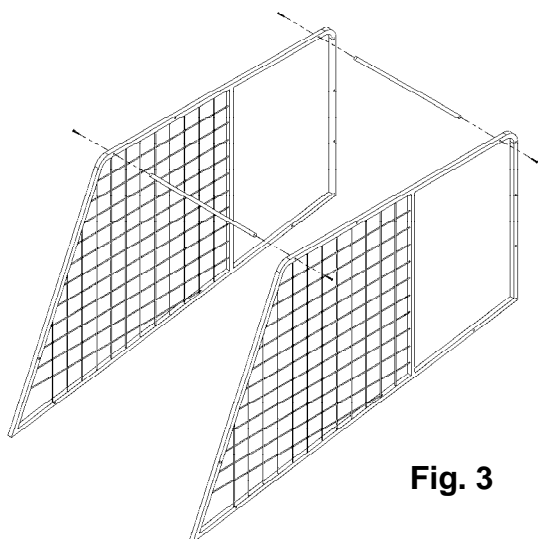
6. Locate the harness that is tie wrapped up at the front of the frame. Cut the tie wrap and feed the harness through the frame and into the opening in the rear of the cabinet. Connect the harness to the connector located inside the cabinet.

# ASSEMBLY

7. Assemble the mesh framework using the two large frame sides and the two connecting pipes supplied. Assemble using (4) 1/4-20 X 2" full thread bolts and (4) flat washers. (See Fig. 3)
- a) Feed the pipes through the tie wraps that are connected to the mesh.
- b) Separate the two frames until the pipes go between them.
- c) Start the bolts by hand, then secure with a wrench.

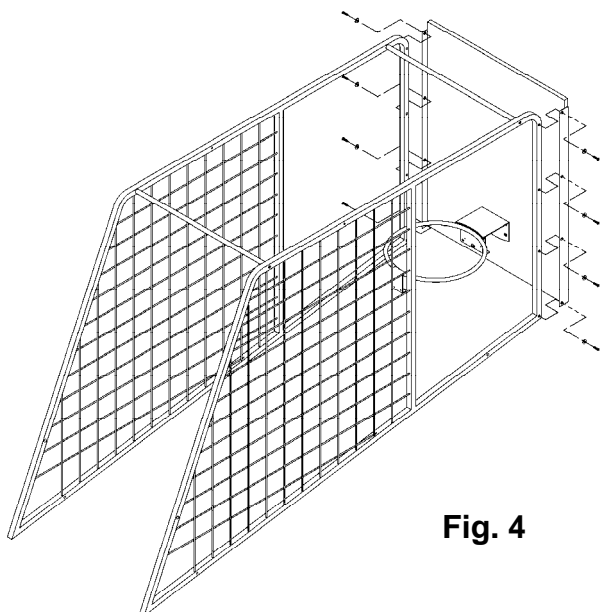
NOTE: Netting on frames not shown for clarity.

NOTE: DO NOT OVER TIGHTEN THE BOLTS IN THE PIPES, OR THE INSERTS COULD BE DAMAGED. BE CAREFUL NOT TO CROSS THREAD THE BOLTS IN THE PIPES.



**Fig. 3**

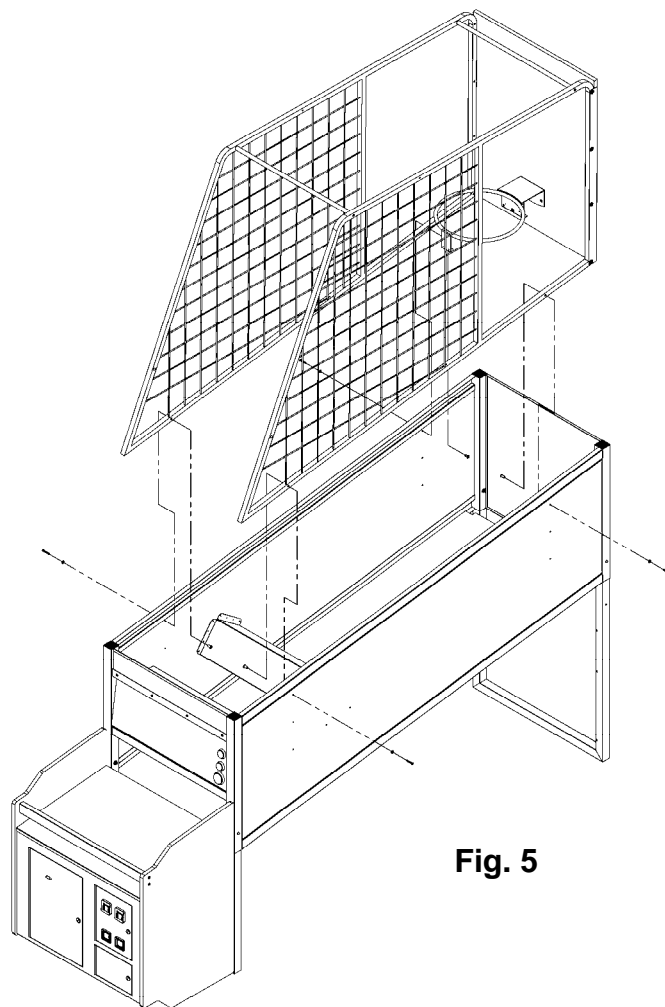
8. Install the backboard with basket onto the side cages using the (8) 1/4-20 X 5/8" button head Allen cap screws supplied. (See Fig. 4)



**Fig. 4**

NOTE: WHEN INSTALLING FOR A 9 FT. GAME, USE THE BOTTOM SET OF HOLES ON THE FRONT OF THE MESH FRAME, THE MIDDLE SET OF HOLES FOR A 8 1/2 FT. GAME AND THE UPPER SET OF HOLES FOR AN 8 FT. GAME. (WHEN SETTING UP AN 8 FT. GAME, YOU MAY WISH TO OMIT THE REBOUND GUARD)

9. Install the Frame assembly to the game. It can be adjusted to three heights: 9ft., 8 1/2 ft. and 8 ft. Please install to the highest possible height. Install by lifting the frame inside the game to one of the 3 sets of mounting holes, and secure with (4) 1/4-20 X 1 1/2" Allen head bolts, inserts and (4) flat black washers. (See Fig. 5)



**Fig. 5**

10. Feed the sensor gray cable and ground wire into the backboard harness hole. Connect the four single pin mate-lock connectors from the gray sensor cable into the gray chassis cable, and the green/yellow wires that all run along the right hand side of the game. Connect the single pin mate-lock connectors as follows:

Green to White  
Black to Black  
Red to Red  
Green/Yellow to Green/Yellow

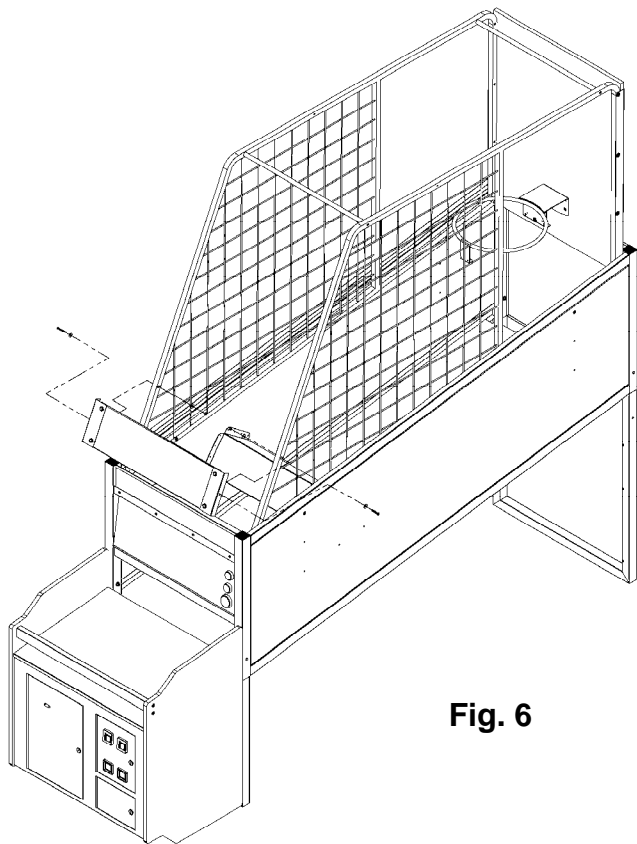
# ASSEMBLY

## LINKING

11. Install the rebound guard using (2) 1/4-20 X 1 3/4" bolts, (4) flat washers and (2) Nylock nuts. (See Fig. 6)

For linking hook-up instructions, see Option #19 under "Customizing".

THANK YOU FOR YOUR PURCHASE OF THE  
**HOOP FEVER™** BASKETBALL GAME.



**Fig. 6**

12. Put the basketballs into the game. BE SURE THAT THEY ARE NOT OVER INFLATED. THIS COULD CAUSE THE BALL GATE TO OSCILLATE EXCESSIVELY.
13. Plug the game in and follow the game set-up procedures listed in this manual.
14. Open the control panel on the game by removing the 3 Allen head bolts and washers that secure the panel to the frame. Tilt the panel forwards, and connect the battery harness to the Main Board. The battery connector will be the only one loose in the cabinet. Reattach the control panel.
15. Test the game completely after set-up, and call our service department if you have any problems, questions or comments.

### **I.C.E. SERVICE DEPARTMENT**

**716-759-0360**

NORMAL BUSINESS HOURS ARE:

MONDAY – FRIDAY, 9:00 AM TO 6:00 PM EST

# CUSTOMIZING YOUR GAME

## CUSTOMIZING YOUR GAME

This section will discuss subjects such as setting up credits, time per game, awards, etc. the section below will show how to enter into the programming mode and how to adjust many of the game's operating parameters.

### ENTERING SET-UP MODE

You must enter set-up mode to adjust all of the game features. This can be accomplished in the following manner:

1. Open the game's coin door. This is the upper door located on the upper right side of the lower cabinet.
2. Locate the Counter / Programming button. It is located on the left hand side of the bracket that is attached to the cash box enclosure. The Counter / Programming button instruction decal is located on the cash box enclosure. This will give you a brief description of the features outlined below, as well as how to use them.
3. Press the Counter / Programming button.
4. If you wish to only read the "Counter", look at the "Player" displays to get the latest counter information. The display should be read from the bottom left (Player#4) position. Once you are done reading the counter, press the Counter / Programming button once again to return to game play.

### CHANGING GAME SETTINGS

WHEN YOU PUSH THE Counter / Programming button, you will notice that along with the counter numbers shown in the "Player #" locations, there is a #1 shown in the "Credits / Time Left" display. This is the counter's "mode" number. Each programmable "mode" on the game has a number associated with it.

1. To advance through the different modes, press the "Start" button. Each push of the button will advance you to the next mode. Whenever you are done with any programming changes, push the Counter / Programming button to return to normal game play.
2. The current value for each mode will be shown in the "Player #4" location.
3. To change the shown value to a lower number, press the middle "Player Select" button.

## PROGRAMMING

### MODE #1 COUNTER

The counter is used to keep a running total of games played on the machine since it was first built. This counter is not re-settable unless power is removed from the battery backup on the PC Board. (small round battery)

NOTE: If power is removed from the PC Board, all other custom game settings will have to be re-entered.

### MODE #2 COIN MECHANISM #1

This adjusts the amount of coins needed to receive 1 credit on the game's LEFT HAND COIN MECHANISM. Set this number to reflect how many coins per credit. Example: 2 Quarters per credit—enter the number 2.

### MODE #3 COIN MECHANISM #2

This adjusts how many coins are required to receive 1 credit on the game's RIGHT HAND COIN MECHANISM. This mechanism is set differently, so it can be used for fractional credits. For normal use, set a "1" for this mode. If you wish to use this for coins with a different value than that of coin mech #1, contact our service department for set-up information for your particular application.

### FREE PLAY

You can set your game up for free play by adjusting the coins per credit for coin 1 to "0".

### MODE #4 CREDITS PER DOLLAR BILL

This option controls how many credits you will receive for each dollar bill inserted.

### MODE #5 CURRENT CREDITS

This displays the credits currently in the game. You can manually remove or add credits to the game by changing the value of this number.

### MODE #6 TIME PER CREDIT

This adjusts, in seconds, how long each game will last. The game can be adjusted from 20 to 99 seconds. The recommended time is 40 seconds.

# CUSTOMIZING YOUR GAME

## MODE #7 GAME POINTS PER AWARD

This adjusts how many tickets are given away for the game. The number displayed set the points required to win an award. Setting this number to "0" will turn off the dispenser.

## MODE #8 NOT USED

## MODE #9 NOT USED

## MODE #10 JUST FOR PLAYING

This feature is valuable in 2 respects.....

1. This can be set to any value desired, so that if a player, especially a young child who can not get the minimum points required to earn awards, can still be dispensed.
2. This setting can give a predetermined amount of tickets or cards per game, REGARDLESS of points scored, if the "points per award" and "winner" settings are set to "0".

## MODE #11 AWARD THRESHOLD

This mode is used to set the minimum number of points needed to get any awards whatsoever. Set the number to match the score you wish to achieve before awards are dispensed. Setting this number to "0" turns the option off.

## MODE #12 WINNER AWARDS

This setting is used by itself if you want the WINNER ONLY to get awards in a multiple player game. The number of awards dispensed is determined by the number selected. A setting of "0" will turn off this option. The winner awards are in addition to any other awards being dispensed.

## MODE #13 NOT USED

## MODE #14 ATTRACT MODE ON / OFF / TYPE

Use this setting to control the type of attract mode you would like. Setting a "1" gives you attract mode sound only. Setting a "0" turns the attract mode off.

## MODE #15 ATTRACT INTERVAL

This determines the length of time between attract modes. Change this number to change the amount of time in MINUTES between attract modes. Setting this number to "0" turns this option off.

## MODE #16 FREE GAME THRESHOLD

This option allows you to select a POINT THRESHOLD, where a free game will be awarded for the game. Once this threshold is reached, a FREE GAME will be awarded to the player, playing the game at that time. The free game is awarded immediately after completion of the paid game where the threshold had been broken.

Setting the value of this option to "0", turns the option off. Any other value sets that as the threshold value. We recommend 40 POINTS as a good starting point for the game.

## MODE #17 NOT USED

## MODE #18 NOT USED

## MODE #19 LINKING STATION I.D.'S

NOTE: FAILURE TO OBSERVE THE INSTRUCTIONS LISTED BELOW WILL RESULT IN IMPROPER OPERATION OF ANY GAMES WHICH HAVE BEEN LINKED TOGETHER.

Each linked game must be connected with a modular phone line. Use no longer than a 12 ft. cord to link the games together.

Connect the games together by snapping a phone line jack on the back of the Main PC Board on the first game. Connect the cord to the jack on the back of the Main PC Board on the second game. When more than 2 games are linked, connect another phone cord to the back of the Main PC Board on the second game and run it to the preceding game and so on.



# CUSTOMIZING YOUR GAME

When the linking option is used, each game must have it's own unique "I.D. Number" so that the games can properly link and talk to each other. Enter Mode #19 on all games, then set a number that is different for each game. The number used may be 0 through 13. the numbers 14 and 15 are reserved for the Jackpot Marquee. (Sold as a separate option)

Observe that game I.D.'s on all games are different, then exit programming mode on all games at the same time.

## MODE #20 CREDIT DISCOUNTING

This mode enables the game to give the players an extra game when multiple coins are inserted. The number shown will be how many coins must be inserted for an extra game. Example: setting a "6" would mean that for every 6 coins inserted, an extra game would be given. Setting a "0" turns this mode off. The default value for this mode is "0".

## MODE #21 NOT USED

## MODE #22 BEACON LIGHT POINT THRESHOLD

This option allows you to select a point threshold, where the optional point beacon light will turn on. Once this point threshold value is reached, the beacon light will turn on.

Setting the value to "0" turns the option off. Any other value sets that as the threshold value.

**NOTE: WHEN SETTING UP MULTIPLE GAMES IN THE SAME LOCATION, IT IS A GOOD IDEA TO TURN THE ATTRACT MODE OFF ON ALL BUT 1 GAME.**

## BURN IN SELF TEST MODE

This allows you to enter the BURN-IN SELF TEST MODE, which can be very handy in problem diagnostics. To enter this mode, press and hold the GAME SELECT and START buttons at the same time WHEN IN MODE #1.

Perform the following tests when in this mode:

1. Press the face panel push buttons to check for their proper operation. An audible sound will be heard if working properly.

2. The face panel push buttons should light if they are working correctly.
3. Move the coin mech micro switch wires. An audible sound will be heard if they are working correctly.
4. Throw a ball into the basket. If the sensor is working correctly, an audible sound will be heard.

To exit the self test mode, press the "Counter / Programming" button inside the coin door.

## GAME TESTING

It is easy and advisable to test your game after installation. After the game is set up and all options have been set up correctly, perform the following tests:

1. Test for proper acceptance of money.
2. Test for proper dispensing of tickets, if you have set that option.
3. Test for proper game play, including proper scoring.
4. Test for proper retention of game memory, when the game power is shut off and turned back on.
5. Be sure to check your electronic game counter and write down any information you may wish to record.
6. When testing linked games, be sure all of the game scores show up properly.

# QUICK TROUBLESHOOTING

PROBLEM	PROBABLE CAUSE	SOLUTION
NO SPOTLIGHT	BAD FUSE AT POWER MODULE GAME UNPLUGGED TRIPPED CIRCUIT BREAKER DAMAGED POWER CORD BURNED OUT BULB GAME WIRING BAD	INSPECT MAIN FUSES CHECK POWER CORD CHECK BREAKER BOX REPLACE CORD REPLACE BULB CHECK WITH VOLTMETER
BALL GATE WILL NOT OPEN OR CLOSE	BAD OR LOOSE MICROSWITCH BAD FUSE ON MAIN PC BOARD BAD WIRING TO SWITCH OR MOTOR BAD MAIN PC BOARD BAD GEAR BOX BALL GATE STOP IMPROPERLY SET	CHECK OR RETIGHTEN CHECK ALL FUSES CHECK WITH VOLTMETER REPAIR OR REPLACE PC BOARD REPLACE GEAR BOX RE-ADJUST UNTIL CAM TOUCHES MICROSWITCH
PUSHBUTTONS DO NOT LIGHT OR WORK PROPERLY	BAD BULB IN BUTTON BAD MICROSWITCH IN BUTTON BAD WIRING TO MAIN PC BOARD BLOWN FUSE ON MAIN PC BOARD BAD MAIN PC BOARD BUTTON STUCK SHUT	CHANGE LIGHT BULB REPLACE MICROSWITCH CHECK WITH VOLTMETER CHECK ALL FUSES REPLACR MAIN PC BOARD REMOVE AND CLEAN BUTTON
BALLS DO NOT SCORE CORRECTLY	BAD SENSOR SENSOR DIRTY REFLECTIVE STRIP DIRTY BAD HARNESSING OR WIRING BAD MAIN PC BOARD BAD BATTERY	REPLACE SENSOR CLEAN (USE NO SOLVENTS) CLEAN (USE NO SOLVENTS) CHECK WITH VOLTMETER REPLACE MAIN PC BOARD CHECK CHARGING CIRCUIT OR REPLACE BATTERY
GAME DOES NOT TAKE OR ADD MONEY CORRECTLY	BAD MAIN PC BOARD BAD MICROSWITCH OR DBV BAD WIRING TO MICROSWITCH OR DBV GAME PROGRAMMING SET WRONG	REPLACE MAIN PC BOARD REPLACE SWITCH OR DBV CHECK WITH VOLTMETER RESET GAME PROGRAMMING
GAME DOES NOT DISPENSE TICKETS CORRECTLY	BAD TICKET DISPENSER BAD WIRING TO DISPENSER OUT OF TICKETS TICKET SENSOR IS DIRTY DISPENSER JAMMED GAME PROGRAMMING SET WRONG BAD MAIN PC BOARD	REPLACE TICKET DISPENSER CHECK WITH VOLTMETER ADD TICKETS CLEAN SENSOR ON DISPENSER REMOVE TICKET JAM RESET PROGRAMMING REPLACE MAIN PC BOARD
NO OR LOW GAME SOUND	VOLUME TURNED DOWN DEFECTIVE VOLUME POT BAD SPEAKER BAD WIRING TO MAIN PC BOARD BAD MAIN PC BOARD	TURN UP VOLUME REPLACE POT REPLACE SPEAKER CHECK WITH VOLTMETER REPLACE MAIN PC BOARD
BALLS DO NOT DISPENSE QUICKLY ENOUGH OR JAM IN THE GAME	GAME HAS EITHER TOO MANY OR TOO FEW BALLS	GAME IS DESIGNED TO WORK WITH 7 BALLS
ALARM GOES OFF FREQUENTLY	BALL GATE CAN NOT CLOSE BALL SENSOR WORKING INCORRECTLY BAD MAIN PC BOARD BALLS JAMMED IN GATE	(SEE BALL GATE) (SEE BALL SENSORS) REPLACE MAIN PC BOARD TOO MANY BALLS IN GAME
DISPLAY LED'S DO NOT WORK PROPERLY	BAD MAIN PC BOARD BAD FUSE ON MAIN PC BOARD	REPLACE PC BOARD CHECK ALL FUSES
GAME WILL NOT RETAIN CUSTOM PROGRAM SETTINGS	BAD MAIN PC BOARD BAD OR WEAK MEMORY BATTERY	REPLACE PC BOARD REPLACE BATTERY ON MAIN PC BOARD
LINKED GAMES NOT SCORING OR WORKING CORRECTLY	GAME ID'S SET THE SAME	CHANGE ALL GAMES TO DIFFERENT ID NUMBERS

# MAINTENANCE & TROUBLESHOOTING

## OPERATIONAL BACKGROUND

The following will outline the basic operating principles of the **HOOPS FEVER™** basketball game.

The game incorporates a Reflex Photoelectric polarized sensor detection system for counting balls that go through the hoop.

The ball gate uses micro switches to determine positioning of the gate, which are activated by the cam on the ball gate shaft.

The gear motor uses a combination of hardware and software control to protect against over current damage. When an over current condition is detected, the motor will shut off automatically. The game microprocessor will then decide whether or not the motor should be turned on. It will also determine at that time which way the motor should run.

## MECHANICAL REPAIR

**IMPORTANT: USE ONLY ICE REPLACEMENT PARTS WHEN SERVICING YOUR GAME. USING NON-ICE APPROVED PARTS COULD VOID YOUR WARRANTY, AND COULD CAUSE SERIOUS DAMAGE TO THE GAME OR INJURY TO OTHERS.**

**IF YOU HAVE ANY QUESTIONS REGARDING REPAIR AFTER READING THIS SECTION, CALL OUR SERVICE DEPARTMENT BEFORE PROCEEDING AT:**

### I.C.E. SERVICE DEPARTMENT

**716-759-0360**

**NORMAL BUSINESS HOURS ARE:  
MONDAY – FRIDAY, 9:00 AM TO 6:00 PM EST**

### BALL GATE SERVICE:

- Remove both battery and AC power
- Unfasten the (6) square drive screws and remove the ball gate housing, located on the right hand side of the ball gate assembly.
- Unbolt the control panel from the front of the game to gain access to the control panel.
- Unplug the two mate-lock connectors (2 pin connector with the yellow/black and brown/white wires and the three pin connector with the red, black and blue wires) located to the right of the transformer. Cut any tie-wraps holding the harnessing.
- Remove the two bolts that hold the ball gate bearing in place, located on the left hand side of the assem-

bly. (Hint: a long extension on a ratchet can be helpful for this operation.)

- Pull the ball gate from the end by the bearing towards you. (the front of the game)
- The gear motor can now be pulled away from the retaining bracket.
- Remove the two Allen head set screws to remove the ball gate from the gear motor.
- NOTE: When removing wires from the micro switches or motor, it is VERY important to make sure all wires are returned to their proper terminals. Failure to do so will result in improper operation of the ball gate and could damage the game. The wires are color coded so it will be easy to document where each wire goes.
- IMPORTANT: Mark the position of the micro switch mounting bracket so that the switch actuators will line up correctly with the cam on the ball gate when the unit is re-assembled.
- Use thread locking compound on the Allen head set screws when re-assembling the ball gate to the gear motor.
- Assemble in reverse order of disassembly. Tighten all hardware securely.
- Re-test for proper operation
- Temporarily shut off AC power, reconnect battery and turn AC power back on.

### LIGHT BULB REPLACEMENT:

- WARNING: TURN OFF GAME POWER BEFORE REPLACING THE LIGHT BULB.
- Replace the bulb by removing the screws that secure the control panel to the game. Carefully remove the control panel, and set it on the front of the game. Replace the light bulb and install the control panel to the game.

### REPLACEMENT BULB:

110 WATT ROUGH SERVICE SPOTLIGHT

### HOOP SENSOR REPLACEMENT:

- Turn off all AC power to the game and unplug the battery back-up circuitry. (disconnect the 2 pin mate-lock connector from the PC Board)
- Standing in the ball return tray, unscrew the (4) screws and Nylock nuts that hold the two sensor(s) to their sensor bracket(s).

# MAINTENANCE & TROUBLESHOOTING

- Disconnect the (3) (green, red and black wires) single mate lock connectors from the gray sensor cable behind the backboard. Remove the gray wire feeding through the backboard harness hole. Remove the sensor assembly. Note how the sensor cable feeds through the basket net loops.
- Remove the sensor(s). The two sensors are held onto the sensor bracket by (4) #6-32 X 1/2" hex spacers.
- Replace with new sensor assembly using the previous directions in reverse.

## MECHANICAL MAINTENANCE

IMPORTANT: FOLLOW THE SUGGESTED MAINTENANCE TO ENSURE THE BEST OPERATION POSSIBLE FOR YOUR GAME.

### GENERAL CLEANING

Clean the surfaces of the cabinet and decals with a commercial cleaner such as 409™ or Fantastic™. Do NOT use cleaners such as Wildcat pinball cleaner or alcohol. It can take the finish off of the decals. Use Pledge™ on all plastic and painted surfaces. This product works especially well on clear plastics. Please note that other spray polishes do not work as well.

### BASKETBALLS

The basketballs should be checked every week for proper inflation. A bicycle tire pump and inflating needle can be purchased at any sporting goods store and most large discount stores.

Keeping the balls properly inflated will make it more difficult to pull them past the ball gate. It will also create more realistic basketball action when interacting with the hoop. Any 8" basketball will work with this game.

NOTE: DO NOT OVER-INFLATE THE BASKETBALLS. THIS CAN CAUSE DAMAGE TO THE BALL AND SHORTEN THE LIFE OF THE BALLS.

## ELECTRONIC AND ELECTRICAL REPAIR

The following section will describe repair procedures and trouble shooting hints for the game electronics.

Please read the section "Operational Background" in the beginning of Maintenance and Trouble Shooting to get a

good understanding of the game's basic operating parameters.

WARNING: EXERCISE CAUTION WHENEVER WORKING WITH ELECTRONICS, THEY CAN BE VERY SUSCEPTIBLE TO DAMAGE FROM SHORT CIRCUITING, OR PHYSICAL ABUSE. ALWAYS UNPLUG THE GAME WHEN WORKING ON HIGH VOLTAGE AREAS OF THE GAME, SUCH AS THE TRANSFORMER.

USE EXTREME CAUTION WHEN USING VOLTME-TERS TO DO CIRCUIT CHECKS IF THE GAME POWER HAS BEEN LEFT ON.

ALWAYS REMOVE THE BATTERY BACK-UP POWER WHEN WORKING ON THE GAME. THIS IS NECESSARY AS SOME CIRCUITS ARE CONSTANTLY UNDER POWER FROM THE BATTERY.

WHEN USING A VOLTMETER, BE SURE IS SET TO THE CORRECT VOLTAGE OR RESISTANCE RANGE BEFORE USING. THIS CAN PREVENT POSSIBLE DAMAGE TO THE PC BOARD OR MISDIAGNOSIS.

ALWAYS REMOVE POWER TO THE GAME WHEN PLUGGING OR UNPLUGGING PC BOARDS.

IT IS NECESSARY TO USE ICE REPLACEMENT PARTS TO CONTINUE WARRANTY COVERAGE. USE OF NON-ICE APPROVED PARTS WILL NOT ONLY VOID YOUR WARRANTY, BUT COULD CAUSE SERIOUS HARM TO THE GAME, OR CAUSE SERIOUS BODILY INJURY.

IF YOU HAVE ANY QUESTIONS REGARDING REPAIR AFTER READING THIS SECTION, CALL OUR SERVICE DEPARTMENT BEFORE PROCEEDING AT:

**I.C.E. SERVICE DEPARTMENT**  
**716-759-0360**

NORMAL BUSINESS HOURS ARE:  
MONDAY – FRIDAY, 9:00 AM TO 6:00 PM EST

### FUSES

Fuses are the first items that should be checked when the game is inoperable or works incorrectly.

There are 4 fuses in the game. Two fuses are located in the electronics control panel on a fuse block to the right of the fan, above the transformer.

To check or service the fuses, FIRST REMOVE THE POWER CORD. FAILURE TO DO SO COULD RESULT IN SERIOUS INJURY OR DEATH. Using a small flat blade screwdriver, pry the fuse from the fuse block. Pull the fuse from the fuse block and test the fuses. Be sure to replace the fuses with the same type and value.

# MAINTENANCE & TROUBLESHOOTING

There are 2 fuses located on the Main PC Board. These fuses protect the low voltage sides of the game, the 5 volt and 12 volt DC. Be sure game power is off when checking or replacing these fuses. Replace the Main PC Board fuses with the original type and value. USE SLO-BLO MDQ TYPE fuses only.

Other types of slo-blo fuses may cause unexpected problems with the game.

## TRANSFORMER

ALL AC POWER MUST BE REMOVED FROM THE GAME WHEN SERVICING THIS COMPONENT. IT IS A GOOD IDEA TO ACTUALLY REMOVE THE POWER CORD FROM THE WALL OR FLOOR OUTLET WHEN CHANGING THE TRANSFORMER.

CAREFULLY document where each color wire goes BEFORE removing any wires.

Remove the 4 screws that hold the transformer to the game frame.

Replace and reconnect the transformer.

TAKE ANY FAST-ONS THAT WERE ON THE OLD TRANSFORMER COVERING THE UNUSED AC TERMINALS OFF AND TRANSFER THEM TO THE NEW TRANSFORMER. THIS IS NECESSARY AS THE LEADS ON THE TRANSFORMER HAVE POWER ON THEM.

## CHANGING AC VOLTAGES

When you receive your game from the factory, it should be set to the proper AC voltage. If for some reason however, it needs to be set to a different AC voltage, follow these directions.

Unplug the game from the AC outlet.

The AC input taps for the transformer are located on the front left hand side of the transformer, as viewed from the opening of the access door.

The AC taps can be further identified by the fact that there are 5 taps in a row. (The only place on the transformer where there are 5 taps in a row.)

The bottom tap is the 0 volt tap. One side of the AC line should always be left attached to this terminal.

The 5 taps FROM THE BOTTOM OF THE TRANSFORMER UP are as follows:

240 VAC  
210 VAC  
115 VAC  
90 VAC  
0 VAC

These numbers are also indicated on the transformer itself.

The AC wire that is on one of the above taps is the only wire you should move. Please use a blank fast-on, on any open terminals, to protect against shock hazards.

## MAIN PC BOARD

IMPORTANT: BEFORE REMOVING THE MAIN PC BOARD OR CHANGING THE MEMORY BATTERY, GO INTO THE OPTIONS MODE AND RECORD YOUR COUNTER AND GAME SETTINGS, SO THEY CAN BE RE-ENTERED AFTER SERVICING HAS BEEN COMPLETED.

The Main PC Board is located on the back of the Control Panel. Remove the 3 bolts that hold the panel to the game and flip the Control Panel out.

Remove all AC power before removing the Main PC Board.

Disconnect all mate-lock connectors from the PC Board.

Remove the 6 retaining fasteners and remove the PC Board.

Install in the reverse order.

If you are installing a new memory battery or new PC Board, after installation, reset all custom game programming into system memory.

## BALL SENSORS

The ball sensors are a through beam infra-red pair. To test, walk into the game, and pass a ball through the hoop when a game is being plated.

NOTE: DO NOT USE YOUR HAND TO TEST THE SENSOR, AS THE INFRA-RED BEAM CAN USUALLY SEE THROUGH A HAND, AND WILL NOT GIVE YOU AN ACCURATE TEST.

When you pass the ball through the hoop, you should hear the swish sound from the game. If you hear the sound, the sensors are good.

If you do not hear the sound, check the transmitter sensor with an I.R. Detector card. (Radio Shack part no. 276-099) The transmitter is the unit with the lit LED in it. If you do not see any reflected I.R. light, do a voltage check to be sure the sensors are receiving power. If the sensors are not receiving power, fix the power problem and proceed.

# MAINTENANCE & TROUBLESHOOTING

If you see reflected I.R. light, perform a continuity check to make sure the signal from the I.R. receiver is getting back to the Main PC Board.

If you have no reflected light and it has been established that there is power, you have a defective TRANSMITTER.

If you have reflected light and have established that the wiring between the receiver and Main PC Board is good, there is a high probability that the receiver is bad.

There is one final check you can make to be sure the problem is not on the Main PC Board. Use a wire jumper or paper clip and jump between pins 12 & 14 on the P5 connector of the Main PC Board. If you do this when a game is in progress, a “swish” sound should be heard each time you MOMENTARILY jump those terminals. If the sound is heard, and the wiring to the sensor is good, and the transmitter works correctly, then the receiver is definitely bad.

If you need to replace either of the sensors, refer to the “Hoop Sensor Replacement” section in the mechanical repair area for directions on how to replace the sensors.

# OPTIONAL ACCESSORIES

## OVERVIEW

IF YOU DO NOT FIND ANSWERS TO YOUR QUESTIONS IN THIS SECTION, REFER TO THE ACCOMPANYING MANUAL FOR YOUR PARTICULAR PRODUCT, OR CALL OUR SERVICE DEPARTMENT.

### **I.C.E. SERVICE DEPARTMENT** **716-759-0360**

NORMAL BUSINESS HOURS ARE:  
MONDAY – FRIDAY, 9:00 AM TO 6:00 PM EST

## TICKET DISPENSER

Refer to the supplied service manual for all information other than software settings.

The ticket dispenser comes pre-set from the factory to dispense 1 ticket for every 5 points scored. In addition to this, if the game player did not score enough points to get 1 ticket, the game is preset to give the player 1 ticket “just for playing”.

These settings can be adjusted by changing the ticket options in the “GAME OPTIONS” mode. If you change the memory battery or Main PC Board, you may have to reset the value for these options.

You can also set the game up so that the winner of MULTIPLE player games ONLY, wins tickets or that a certain amount of points must be scored BEFORE ANY tickets will be dispensed. This is the threshold option.

## DOLLAR BILL VALIDATOR

Refer to the supplied manual for all information other than software settings.

The validator normally requires no adjustments other than checking to see that the proper voltage is present. This Validator runs on 12 volt DC power, with a minimum of 11.5 volts DC. The Validator will not work correctly with voltages below that specified.

The validator may work improperly or not at all if it is not grounded properly.

The unit should be cleaned periodically to ensure proper operation. Blow out as much dirt as possible. Then use a cotton swab (Q-Tip) to get into the front opening to remove any remaining dirt or debris. Clean the stacker belts with a rubber rejuvenator. Clean any other dirt from the unit with isopropyl alcohol.

That game comes from the factory pre-set at 2 credits per bill. You can change this by entering the “GAME OPTIONS” screen. (see GAME OPTIONS settings section for more information)

## ABOUT LINKING

With LINKING it will be possible for your customers to enjoy exciting Head to Head competition when two or more **HOOP FEVER™** games are connected together. In fact, you can link as many as fourteen **HOOP FEVER™** games together.

Game linking is accomplished through the “Link” button located in the upper right hand corner of the control panel. When enough money is inserted into the game to create one or more credits, the “Link” button will begin to flash. If a player on another game pushes their “Link” button, the games are now linked together. Once the games are linked together, they become 1 player only games. When any of the players push the “Start” button, the game begins.

When the game is over, the top four players are ranked on the display. The game spotlight will flash for the winner.

## TICKET SETTINGS

Ticket settings will work in the same fashion as a regular **HOOP FEVER™** game. Be sure all of the games linked together are set EXACTLY the same. Using different settings could yield unexpected results.

**NOTE: WHEN LINKING 1 OR MORE GAMES TOGETHER, IT IS ADVISIBLE TO TURN THE ATTRACT MODE OFF ON ALL BUT 1 GAME. THIS WILL ELIMINATE STRANGE SOUNDS FROM MORE THAN 1 ATTRACT MODE PLAYING, BUT NOT AT THE SAME TIME.**



# PARTS LISTINGS

## MECHANICAL PARTS

## GRAPHICS & DECALS

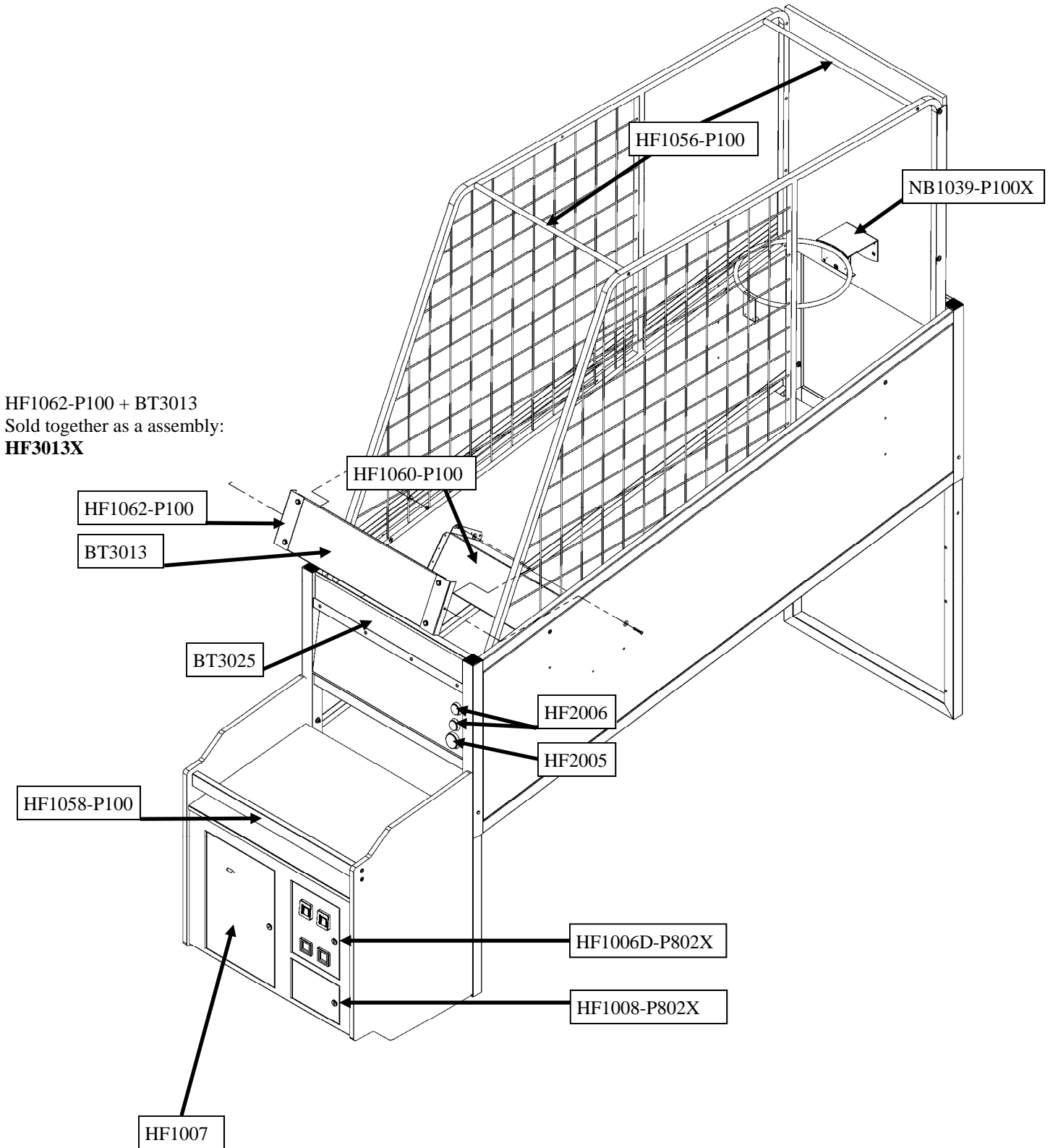
HF1005-P100 Coin door panel, frame  
 HF1006D-P802X Coin door assembly  
 HF1007-P802 Accessory door/ticket door  
 HF1008-P802 Cash box door  
 BB1009 Cash box enclosure (galvanized)  
 HF1017-P100 Cover IR emitter (small)  
 HF1018-P100 Cover IR receiver (large)  
 HF1019-P100 Bracket (backboard side)  
 NB1039-P100 Hoop (15") Only for games  
 manufactured before 8/8/07  
 NB1039-P100x Hoop 15" Only for games  
 Manufactured after 8/8/07  
 (reflector)  
 HF1054-P100 Frame, red  
 HF1055-P100 Mesh frame side  
 HF1058-P100 Ball stop rail  
 HF1060-P100 Ball deflector  
 HF1062-P100 Rebound guard mounting bracket  
 HS3001 Basketball B110 rubber  
 HF3052 Backboard  
 SF3008 Basketball net (2 pcs per game)  
 BT3009 Frame netting  
 BB5001 Cash box  
 5014 Door lock  
 6459 Allen wrench (security)  
 PC60615A #2 square drive bit  
 NB3001 Basketball pvc leather  
 BT1022-P802 Ball gate black  
 HF1056-P100 connecting pipe

HF7001 Programming decal  
 HF7002 Backboard overlay  
 HF7005 Front cabinet decal  
 HF7008 Decal I.C.E. logo  
 7031 "Suitable for indoor use only" decal  
 7032 "Caution replace fuse.....) decal  
 7033 "Warning disconnect power.....) decal  
 7035 "On/off" decal  
 7037 "5 amp fuse" decal  
 7039 "Caution hot surface" decal  
 7041 "6 amp warning" decal  
 HF9001 Service manual  
 BT3013 Rebound guard upper  
 HF3013X Rebound guard upper kit w/brackets  
 BT3025 Rebound guard lower 6"  
 HF2005 Start button (large)  
 HF2006 Select player button (medium)  
 BT2218 Link button  
 HF2020SX linking kit option  
 HF2006X blue rotating light  
 NB2035X blue strobe light  
 HF3005 Control panel (specify link or non)  
 HF1016-P802 Sensor bracket (NB3004X)  
 3026 Tube cap

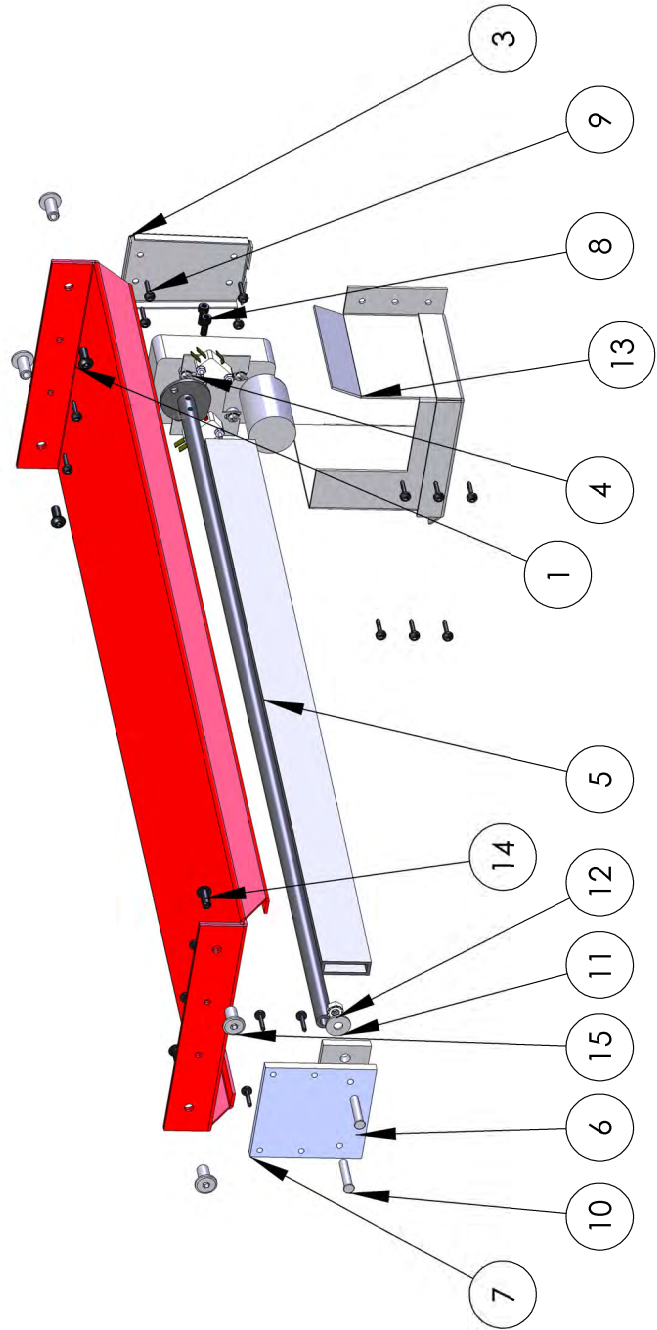
## ELECTRICAL & ELECTRONIC PARTS

2007 Speaker  
 2364X Fan assembly  
 HF2034X Main P.C. Board -  
 specify software when ordering  
 BT2002 Transformer  
 BB2005 Micro switch  
 BB2008X Ball gate motor (3269)  
 HF3004X Net sensor assembly (trans & rec)  
 Only for games manufactured before  
 8/8/07  
 NB3004X Net sensor assembly  
 (runs off reflector)  
 Only for games manufactured after  
 8/8/07  
 E20407 Battery, 3.2 volt  
 BT2027X 20 ft. line cord  
 BB2023 Long life lamp bulb (5000 hr.)  
 BB2006 Power module (42r37-3153-150)  
 BB2022X Flood lamp socket

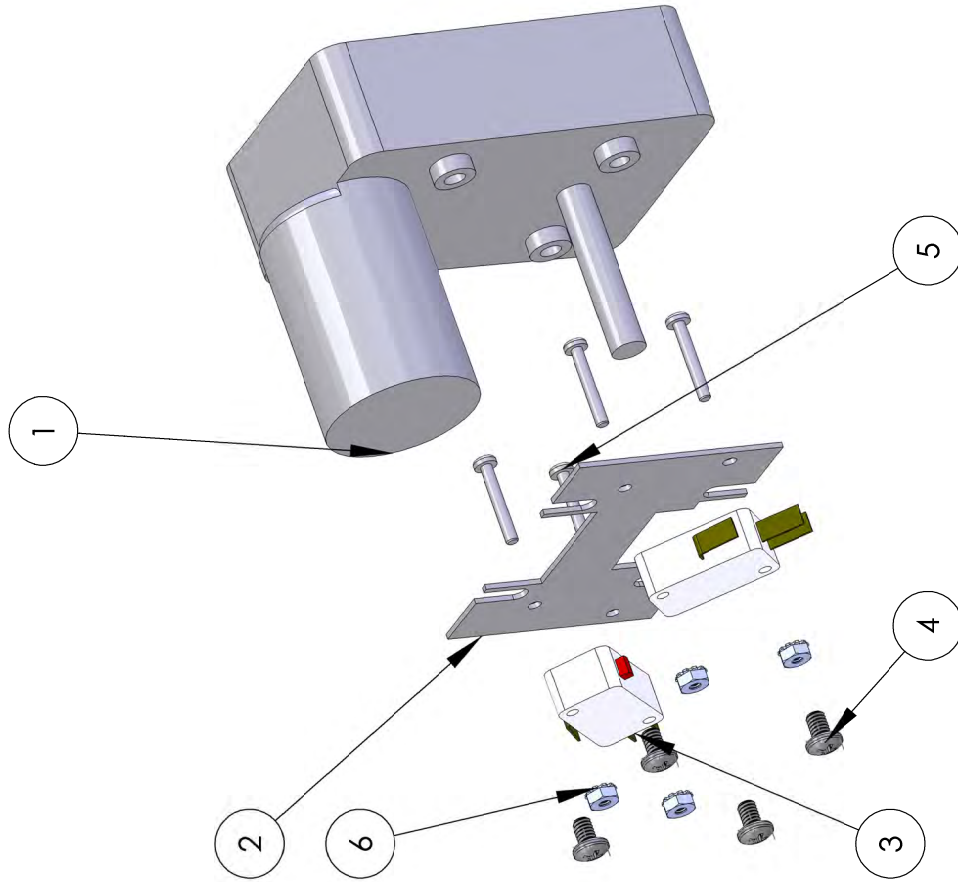
## MAJOR PARTS LAYOUT



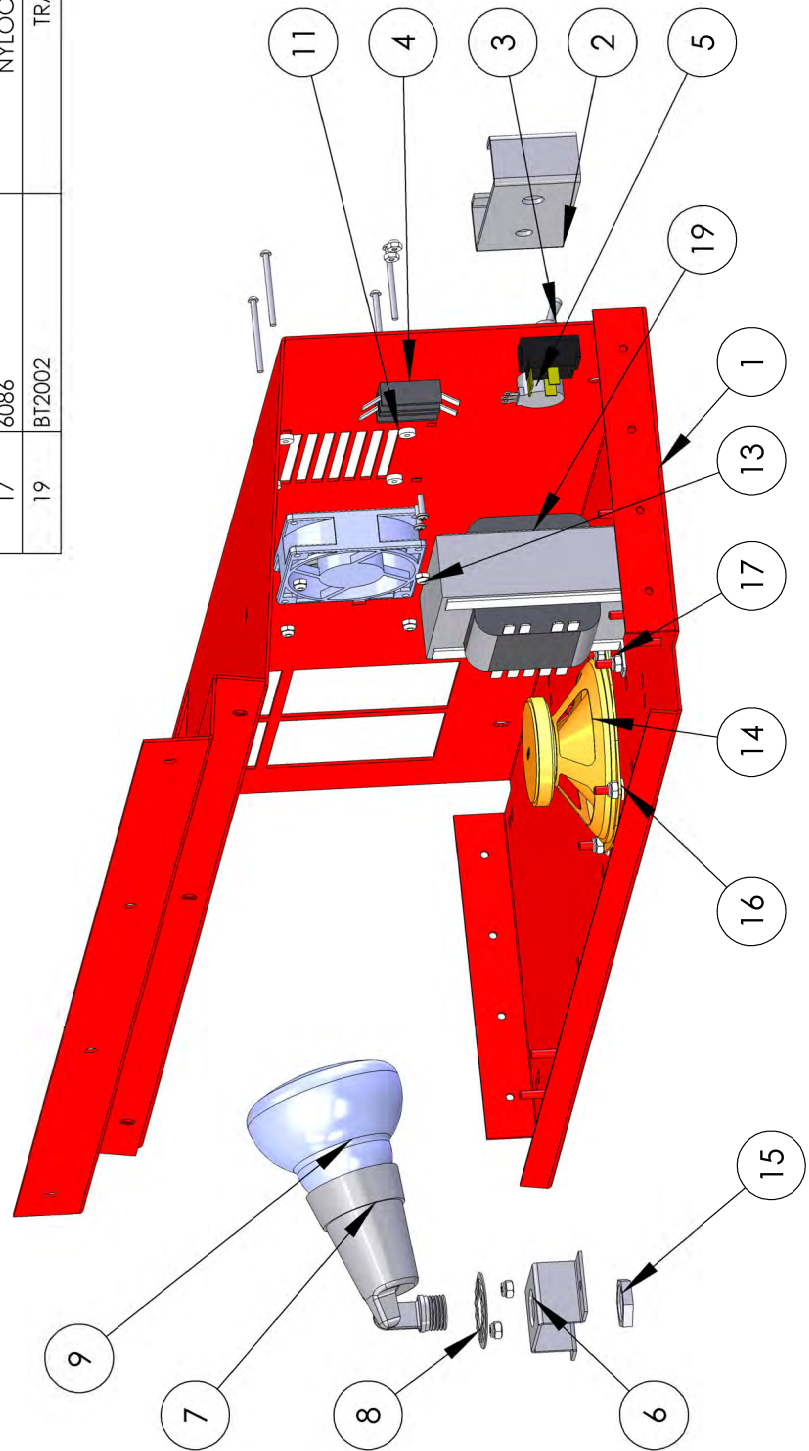
ITEM NO.	PART NUMBER	DESCRIPTION	QTY.
1	HF1060-P100	BALL DEFLECTOR	1
3	BB1023	BALL GATE MOTOR MOUNTING BRACKET	1
4	BB2008X	BALL GATE MOTOR ASSEMBLY	1
5	BT1022-P802	BALL GATE	1
6	BB3018	BALL GATE BEARING	1
7	BB3017	BALL GATE BEARING MOUNTING PLATE	1
8	PC60603	SHCS, #10-24 x 1/2" LG.	2
9	655	#8 x 3/4 SQ. DRIVE (BLACK)	18
10	6209	1/4-20 x 1 1/4 PEM STUD (ROHS)	2
11	6075	1/4 x 3/4 FLAT WASHER ZINC (USS)	2
12	PC60614	1/4-20 KEP NUT	2
13	BF1053-P802	BALL GATE MOTOR COVER	1
14	PC60601	1/4-20 x 5/8 BSHCS (BLACK)	4
15	6110	JOINT CONNECTOR 1/4-20 X0.75 THREAD	4



ITEM NO.	PART NUMBER	DESCRIPTION	QTY.
1	BB2008	BALL GATE MOTOR	1
2	BB1024	MICROSWITCH MOUNTING BRACKET	1
3	BB2005	MICROSWITCH	2
4	6005	8-32 X 1/4 PHMS	4
5	6060	4-40 X 3/4 PHMS	4
6	674	#4-40 KEP NUT	4



ITEM NO.	PART NUMBER	DESCRIPTION	QTY.
1	BF1054-2	ELECTRONICS PANEL	1
2	HF1010	SWITCH GUARD	1
3	E20237	SWITCH	1
4	E02413	FUSE BLOCK	1
5	E02365	POTENTIOMETER	1
6	BT1049	LIGHT BRACKET	1
7	BB2022	LIGHT SOCKET	1
8	6101	ROSETTE WASHER	1
9	BB2023	BULB FLOOD LAMP GE 110R30/FL/R	1
10	PC60628	8-32 x 1 1/4 PRHMS	4
11	PC60648	#8 x 1/8 x 3/8 OD NYLON SPACER	4
12	2364X	SMALL DC FAN	1
13	6002A	6-32 NYLOCK NUT	6
14	2007	SPEAKER (4" ROUND) 60-9240	1
15	6100	LOCK NUT	1
16	647	PLASTIC WASHER (1/4 x 1/2)	4
17	6086	NYLOCK JAM NUT 10-24	10
19	BT2002	TRANSFORMER	1





# WARRANTY POLICY

I.C.E. Inc warrants all components in new machines to be free of defects in materials and workmanship for the period listed below:

- 180 days on Main PCB's, Computers & Motors
- 1 year on all LCD monitor panels
- 90 days on all other electronic and mechanical components
- 30 days on all I.C.E. repairs and parts purchases

I.C.E. Inc shall not be obligated to furnish a warranty request under the following conditions:

- Equipment or parts have failed through normal wear and tear
- Equipment has been subjected to unwarranted stress, abuse or neglect
- Equipment has been damaged as a result of arbitrary repair/modification

Products will only be covered under warranty by obtaining an I.C.E. authorized RMA #. To obtain an RMA # please provide I.C.E. tech support with the game serial # or original I.C.E. invoice # and a detailed description of the failure or fault symptoms.

I.C.E. Inc will assume no liability whatsoever for costs associated with labor or travel time to replace defective parts. All defective warranty covered components will be replaced with new or factory refurbished components equal to OEM specifications.

I.C.E. Inc will cover domestic UPS ground, or comparable shipping costs during the warranty period. International or expedited shipments are available for an additional charge. To obtain credit defective parts must be returned to I.C.E. Inc, at the customer's expense, within 30 days. After 30 days a 15% re-stocking fee will apply to all returns.

ICE distributors are independent, privately owned and operated. In their judgment, they may sell parts and/or accessories other than those manufactured by I.C.E. Inc. We cannot be responsible for the quality, suitability or safety of any non-I.C.E. part or modification (including labor) that is performed by such a distributor.

**Innovative Concepts in Entertainment**

**10123 Main St.**

**Clarence, NY 14031**

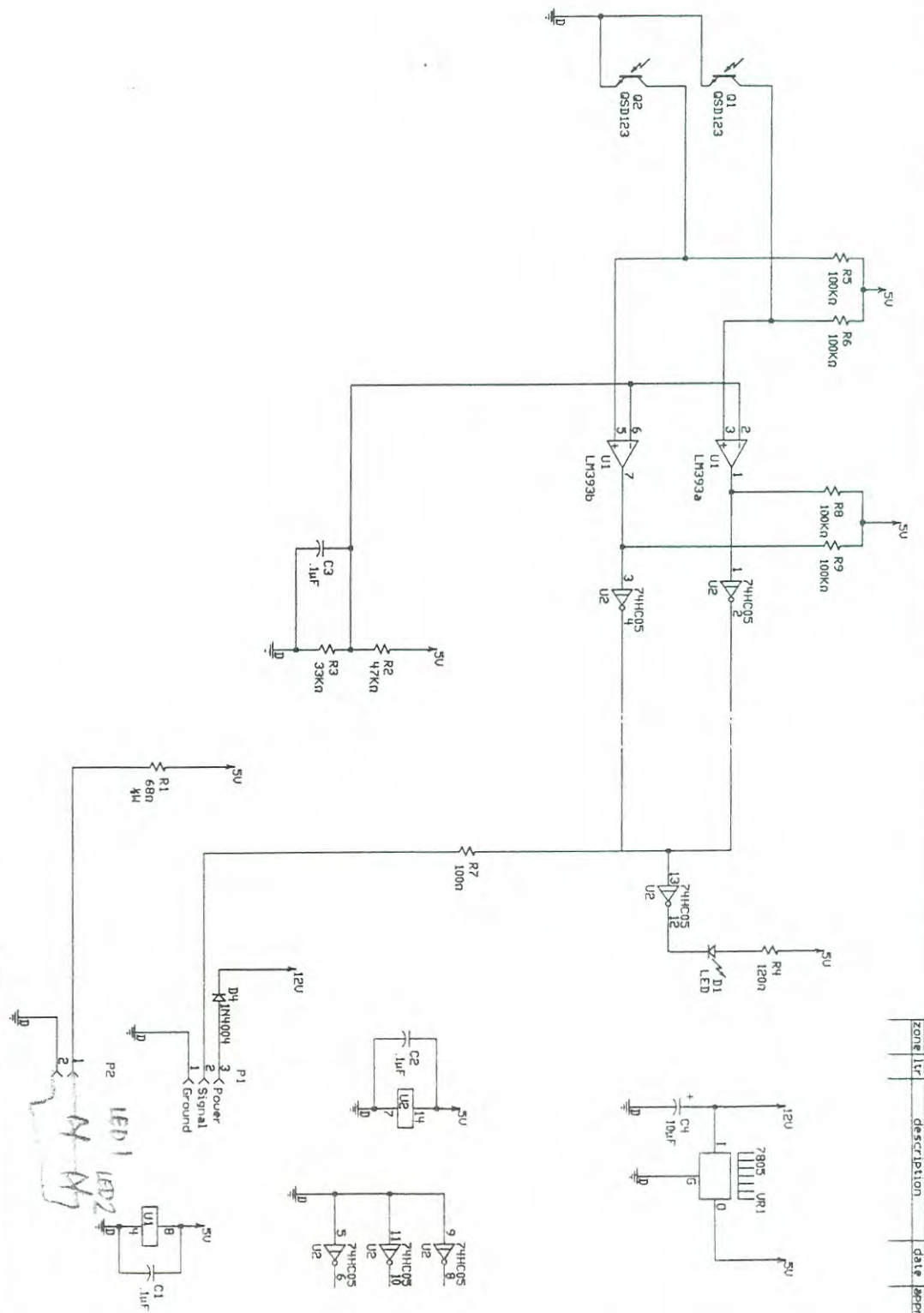
**Phone #: (716) - 759 - 0360**

**Fax #: (716) - 759 - 0884**

**[www.icegame.com](http://www.icegame.com)**



HOOP POWER NET SENSOR



<b>REV 2</b>		<b>ICE Inc.</b>	
Prepared ESD	9-02	Basket Ball	
Checked ESD	9-02	Ball Sensor Board	
Engineer ESD	9-02		
size	code	id	drawing no.
scale	sheet 1 of 1		

Zone	Tr	description	date	approved

# BONUS MARQUEE INSTALLATION



## OWNERS AND SERVICE MANUAL INNOVATIVE CONCEPTS IN ENTERTAINMENT INC.

10123 MAIN STREET, CLARENCE, NY 14031

SERVICE: 1-716-759-0360

FAX: 1-716-759-0884

E-MAIL: [service@icegame.com](mailto:service@icegame.com)

WEBSITE: [www.icegame.com](http://www.icegame.com)



# TABLE OF CONTENTS

FEATURES.....	PAGE 3
SET-UP.....	PAGE 4 - 6
PROGRAMMING.....	PAGE 7
TROUBLESHOOTING.....	PAGE 8 - 9
SERVICING.....	PAGE 10
PARTS LISTING.....	PAGE 11
WARRANTY INFORMATION.....	PAGE 12 - 13

# FEATURES

Thank you for your purchase of the **HOOP FEVER™** **BONUS MARQUEE**. This marquee will help increase player interest as well as increase earnings from your games.

The idea behind the marquee is to dispense a large amount of tickets, when a predetermined score has been matched or beaten. The idea of a "Ticket Bonus" is a well proven idea in the redemption market.

The marquee is fully operator adjustable for the amount of tickets dispensed, as well as the scores to beat and many other selectable settings. (See the programming section for further details)

The marquee also employs its own bonus alarm sound and is fully volume adjustable.

All programming can be done remotely through the host games. This makes it unnecessary to climb on top of the games or take things apart to change bonus settings.

The game also has a unique "Sleep" mode. This will make the marquee appear to be off if all of the host games have been turned off. This mode will enable about 20 seconds after the last game has been turned off.

All of these unique features are possible due to our advanced proprietary software implementation. This software reduces the amount of electronic hardware needed to operate the marquee as well as offer programming and feature flexibility that would be impossible if done through hardware alone.

# SET - UP

## INSTALLATION

(Even Number Of Games)

**WARNING: BEFORE PROCEEDING WITH THIS INSTALLATION, BE SURE TO FOLLOW ALL ELECTRICAL SAFETY PRECAUTIONS, ESPECIALLY WHEN WORKING WITH DEVICES THAT HAVE HIGH VOLTAGES. FAILURE TO FOLLOW GOOD SAFETY PROCEDURES COULD RESULT IN SERIOUS INJURY TO YOURSELF, OTHERS OR THE PRODUCT.**

THIS DEVICE OPERATES ON EITHER VOLTAGE: 110 OR 220 VOLTS A.C. BE SURE THE GAME IS SET TO OPERATE AT THE PROPER VOLTAGE BEFORE PLUGGING INTO AN A.C. RECEPTACLE. (220 VOLT MARQUEES WILL BE LABELED SO ON THE SERIAL NUMBER BARCODE LABEL.

ONLY USE A GROUNDED A.C. RECEPTACLE ON THIS PRODUCT. FAILURE TO USE A GROUNDED RECEPTACLE ON THIS PRODUCT COULD RESULT IN SERIOUS MALFUNCTION OF THE PRODUCT DUE TO ELECTROSTATIC DISCHARGE (STATIC ELECTRICITY), POSSIBLY RESULTING IN DAMAGE TO THE UNIT. MARQUEES NOT PROPERLY GROUNDED WILL NOT BE COVERED UNDER WARRANTY FOR ANY ELECTRONIC RELATED DAMAGE.

## TOOLS NEEDED

Before you start, you will need the following items:

- 7/16" Combination Wrench
- 7/16" Deep Well Socket
- Ratchet
- Side Cutters
- Drill with 3/8" capacity
- 3/8 Drill Bit

## HARDWARE KIT CONTENTS

(Odd Number Of Games)

- 4 1/4-20 X 1" Hex Head Bolts
- 4 1/4-20 X 1 1/4" Hex Head Bolts
- 4 1/4-20 X 1 1/2" Hex Head Bolts
- 2 1/4-20 X 1 3/4" Hex Head Bolts
- 24 1/4 Flat Washers
- 10 1/4-20 Nylock Nuts

- 4 1/4-20 X 1" Hex Head Bolts
- 8 1/4-20 X 1 1/4" Hex Head Bolts
- 4 1/4-20 X 1 1/2" Hex Head Bolts
- 4 1/4-20 X 1 3/4" Hex Head Bolts
- 36 1/4 Flat Washers
- 16 1/4-20 Nylock Nuts

## ATTACHING THE MARQUEE

The bonus marquee can only be used on games that utilize the "Linking" feature. All games using the linking feature come with a "Beacon" light as part of the package. The beacon lights are mounted to the tops of the games on plywood mounting panels. The bonus marquee will be mounted to these panels.

The following instructions are for both, an even or odd number of games. When an odd number of games are present, the Beacon Light Mounting Board is attached across the top of one game. When an even number of games are present, two Beacon Light Mounting boards are used. They are installed in the same manner as for odd number of games. The only difference being that the Bonus Marquee "straddles" the games.

Begin installation by positioning each bracket so that the wide flange is facing the inside of the game. Attach one bracket to the top of each fence, using two 1/4-20 X 1 3/4" long hex head bolts, washers and Nylock nuts. Tighten all bolts securely. (See Fig. 1)

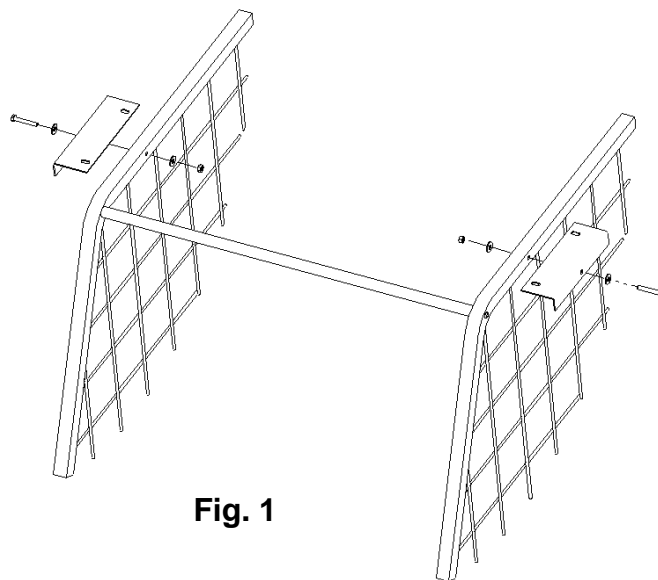


Fig. 1

# SET - UP

The Beacon Light mounting board may now be attached to the brackets using 1/4-20 X 1 1/4" long hex head bolts, washers and hex nuts. Tighten all bolts securely. (See Fig. 2)

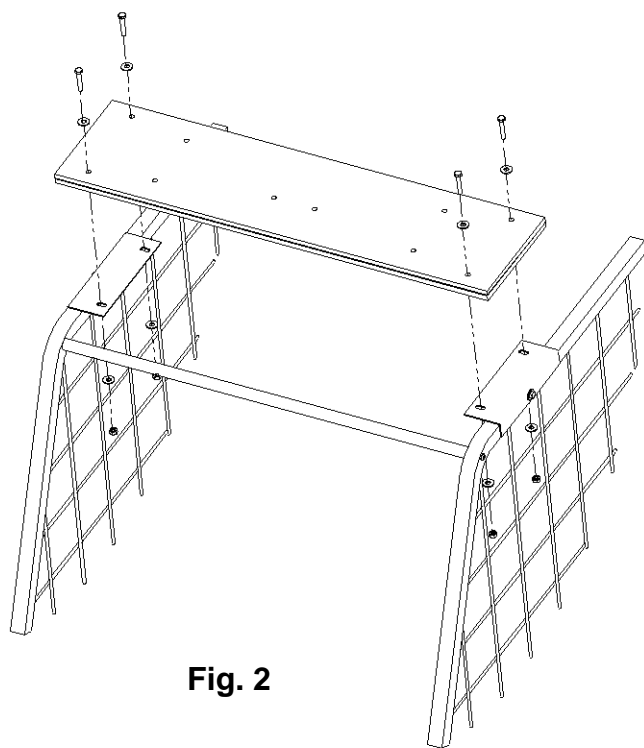


Fig. 2

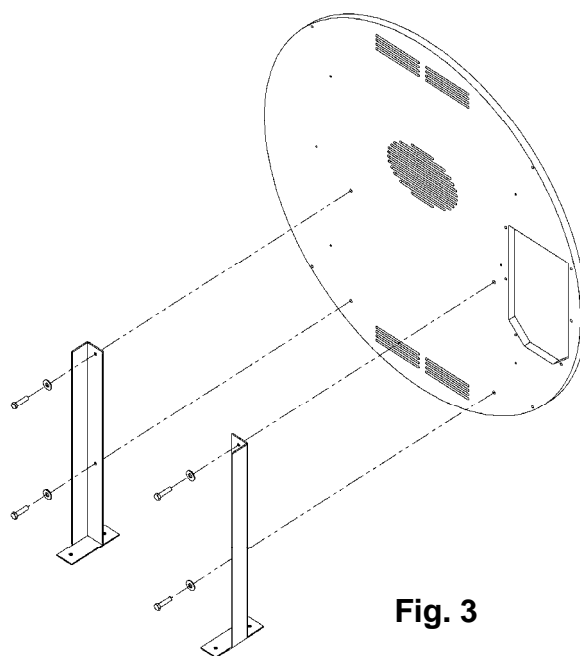


Fig. 3

**NOTE: THE FOLLOWING STEPS MUST BE PERFORMED BY 2 PERSONS. IT COULD BE VERY DANGEROUS FOR 1 PERSON TO ATTEMPT INSTALLATION OF THE MARQUEE TO THE BEACON BOARD ALONE.**

The next step is to mount the 2 support brackets to the back of the marquee. Position the support brackets on the back side of the Marquee by aligning the holes in the support brackets with the holes in the back of the marquee. Be sure that the flanges without holes, are facing toward the outside of the Marquee.

Attach the support brackets to the Marquee using 1/4-20 X 1" long hex head bolts and washers. Tighten all bolts securely. (See Fig. 3)

## ODD NUMBER OF GAMES INSTALLATION

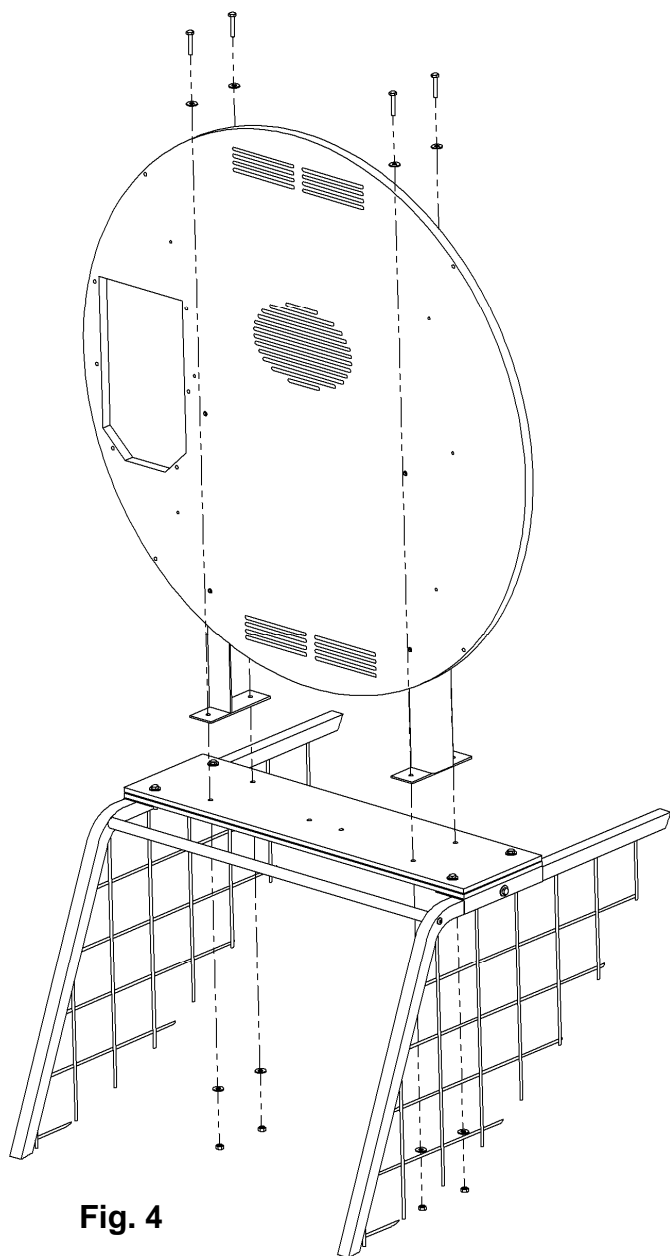
Lift the Marquee to the top of the game frames. Center the Marquee on the top of the Beacon Light mounting board, front to back and side to side.

While one person holds the Marquee, the other person should drill 3/8" holes through the support bracket flanges and the Beacon Light mounting panel.

Attach the Marquee to the Beacon Board using 1/4-20 X 1 1/2" long hex head bolts, washers and Nylock hex nuts. Tighten all bolts securely. (See Fig. 4 on next page)

# SET - UP

## ODD NUMBER OF GAMES INSTALLATION



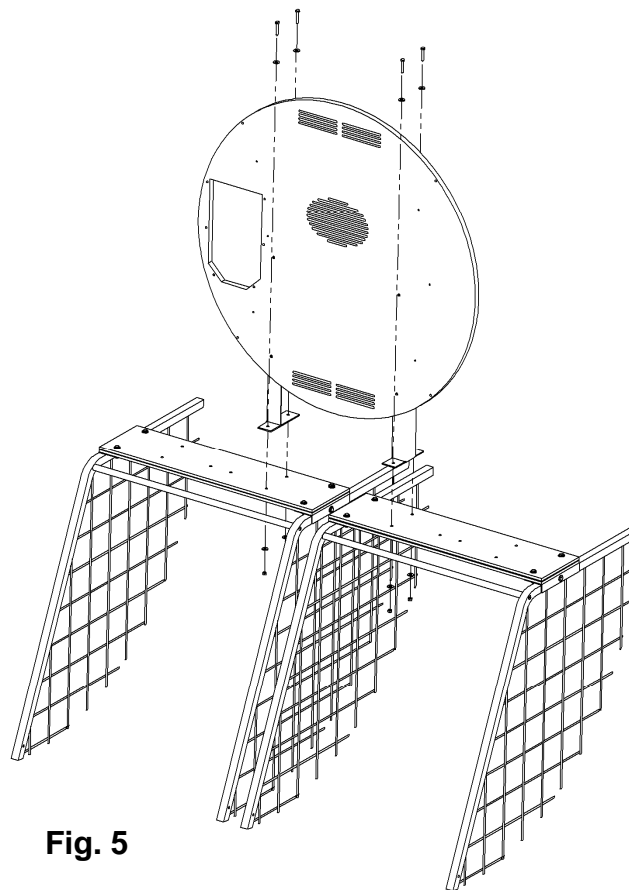
## EVEN NUMBER OF GAMES INSTALLATION

Lift the Marquee to the top of the game frames. Center the Marquee between two games, on the tops of the Beacon Light mounting boards, front to back and side to side.

While one person holds the Marquee, the other person should drill 3/8" holes through the support bracket flanges and the Beacon Light mounting panels.

Attach the Marquee to the Beacon Board using 1/4-20 X 1 1/2" long hex head bolts, washers and Nylock hex nuts. Tighten all bolts securely. (See Fig. 5)

## EVEN NUMBER OF GAMES INSTALLATION



Plug the telephone cord from the Main PC Board into the jack on the rear of the Marquee.

Install the 20 ft. power cord into the rear of the Marquee. **DO NOT PLUG INTO THE AC RECEPTACLE UNTIL THE TIE WRAPS HAVE BEEN INSTALLED AND TRIMMED.**

Secure the power cord and the phone cord to the frame, running the wiring to the rear of the frame and then down. Secure the cords with the tie wraps supplied and trim.

Plug the marquee into the proper AC receptacle.

Refer to the "Marquee Programming" section of this manual to complete the installation.

# PROGRAMMING

## STATION I.D.

Since the Marquee communicates with the game (s), it must have a unique "STATION IDENTIFICATION NUMBER" so it can communicate properly. If you have 1 Marquee the number for this option should be set to "14". If you use 2 Marquees, one of them should be set to "14" and the other should be set to "15". The default for this option is "14".

## DEFAULTS

Activating this option will reset all of the factory default mode values. Set a "1" to activate this option. Once activated, all values will reset to factory, and this option value will automatically return to "0". (retain custom settings) The default value for this option is "0".

# TROUBLESHOOTING

## OVERVIEW

The following section will give you information on quick troubleshooting of the Marquee as well as detailed repair procedures. Since the Marquee is all electronic, and quite simple, any repair should be easy to accomplish. Please keep in mind that these directions will apply to the basic Marquee and that there may be many variations for different game applications. All Marquee variations basically work the same. Please read all of the notes and warnings carefully given throughout this section.

**WARNING: EXERCISE CAUTION WHENEVER WORKING WITH ELECTRONICS. THEY CAN BE VERY SUSCEPTABLE TO DAMAGE FROM SHORT CIRCUITING OR PHYSICAL ABUSE. ALWAYS UNPLUG THE MARQUEE WHEN WORKING ON HIGH VOLTAGE AREAS OF THE MARQUEE, SUCH AS THE TRANSFORMER.**

**USE EXTREME CAUTION WHEN USING VOLTME-TERS TO DO CIRCUIT CHECKS, IF THE MARQUEE POWER HAS BEEN LEFT ON.**

**ALWAYS REMOVE THE BATTERY BACK-UP POWER WHEN WORKING ON THE MARQUEE. THIS IS NECESSARY AS SOME CIRCUITS ARE CONSTSNTLY UNDER POWER FROM THE BATTERY.**

**WHEN USING A VOLTMETER, BE SURE IT IS SET TO THE CORRECT VOLTAGE OR RESISTANCE BEFORE USING. THIS CAN PREVENT POSSIBLE DAMAGE TO THE MAIN PC BOARD OR MISDIAGNOSIS.**

**ALWAYS REMOVE POWER TO THE MARQUEE WHEN PLUGGING OR UNPLUGGING PC BOARDS.**

**IT IS NECESSARY TO USE I.C.E. REPLACEMENT PARTS TO CONTINUE WARRANTY COVERAGE. USE OF NON I.C.E. APPROVED PARTS WILL NOT ONLY VOID YOUR WARRANTY, BUT COULD CAUSE SERIOUS HARM TO THE MARQUEE OR CAUSE SERIOUS BODILY INJURY.**

**IF YOU HAVE ANY QUESTIONS REGARDING REPAIR AFTER READING THIS SECTION, PLEASE CALL OUR SERVICE DEPARTMENT AT:**

### **I.C.E. SERVICE DEPARTMENT**

**716-759-0360**

**NORMAL BUSINESS HOURS ARE:**

**MONDAY – FRIDAY, 8:30 AM TO 6:00 PM EST**

## OPERATIONAL BACKGROUND

The Bonus Marquee is a microprocessor controlled display unit, with built in sound.

The object of the Marquee is to create greater player interest in the games they serve, by adding a large Ticket Bonus.

The Marquee operates with 1 motherboard with an integrated power supply and transformer. On games that use 220 VAC, a separate step-down transformer is used to supply the proper AC line voltage to both the motherboard and fluorescent lighting.

Two identical L.E.D. display PC Boards are used to display all pertinent information to the player. Each PC Board is individually controlled by the motherboard through an integral serial interface.

The fluorescent lighting is controlled through a relay on the motherboard. This allows the Marquee to appear to be “asleep” when the host games are turned off.

# QUICK TROUBLESHOOTING

PROBLEM	PROBABLE CAUSE	SOLUTION
MARQUEE NOT TURNED ON	NO A.C. POWER BAD FUSE ON MAIN BOARD PHONE LINE NOT CONNECTED * GAMES NOT TURNED ON *	INSPECT MAIN FUSES REPLACE MAIN BOARD FUSES(S) * THE MARQUEE WILL APPEAR TO BE TURNED OFF UNDER THESE CONDITIONS, WHEN IN FACT IT IS POWERED UP. THIS IS DUE TO THE "SLEEP" MODE
DISPLAYS NOT WORKING CORRECTLY	BAD DISPLAY CONNECTOR BAD DISPLAY BOARD PHONE LINE NOT CONNECTED * GAMES NOT TURNED ON *	REPLACE CONNECTOR REPLACE DISPLAY BOARD * THE MARQUEE WILL APPEAR TO BE TURNED OFF UNDER THESE CONDITIONS, WHEN IN FACT IT IS POWERED UP. THIS IS DUE TO THE "SLEEP" MODE
FLUORESCENT LIGHT NOT WORKING	BAD MAIN BOARD BAD FLUORESCENT BULB BAD MAIN BOARD PHONE LINE NOT CONNECTED * GAMES NOT TURNED ON *	REPLACE MAIN BOARD REPLACE BULB * THE MARQUEE WILL APPEAR TO BE TURNED OFF UNDER THESE CONDITIONS, WHEN IN FACT IT IS POWERED UP. THIS IS DUE TO THE "SLEEP" MODE
NO ALARM SOUND	SPEAKER DISCONNECTED SPEAKER DEFECTIVE VOLUME TURNED DOWN	RECONNECT SPEAKER REPLACE SPEAKER ADJUST VOLUME
MARQUEE WILL NOT KEEP LAST BONUS VALUE AT POWER DOWN	MARQUEE PROGRAMMED NOT TO RETAIN VALUE BACK UP BATTERY WORN OUT	RE-PROGRAM SETTING REPLACE BATTERY



# SERVICING

BE EXTREMELY CAREFUL WHEN WORKING ON THE MARQUEE, AS IT IS LOCATED HIGH ABOVE THE FLOOR. USE ONLY APPROVED LADDERS, ETC.

DO NOT OVER REACH OR USE UNSUITABLE MEANS TO ACCESS THE MARQUEE. FAILURE TO FOLLOW THESE SAFETY PROCEDURES COULD RESULT IN SERIOUS INJURY.

## MAIN P.C. BOARD

To service the Main PC Board, follow the instructions given below carefully.

1. Remove A.C. power to the Marquee by unplugging the power cord from the rear of the Marquee.
2. Remove the graphic panel from the front of the Marquee by removing the 2 Allen head screws located along the bottom edge of the marquee housing.
3. Remove the 2 hex spacers that hold the upper edge of the PC Board to the housing.
4. Slide the PC Board out of the retaining bracket, unplugging the PC Board connectors as you remove the board.
5. Assemble in the reverse order.

## DISPLAY P.C. BOARD

1. Remove A.C. power to the Marquee by unplugging the power cord from the rear of the Marquee.
2. Remove the graphic panel from the front of the Marquee by removing the 2 Allen head screws located along the bottom edge of the Marquee housing.
3. Remove the 9 hex spacers that secure the display to the housing.
4. Lift the display from the housing and remove the connector at the rear of the display board.
5. Reassemble in reverse order.

## FLUORESCENT LIGHT FIXTURE

1. Remove A.C. power to the Marquee by unplugging the power cord from the rear of the Marquee.
2. Remove the graphic panel from the front of the Marquee by removing the 2 Allen head screws located along the bottom edge of the Marquee housing.
3. Remove the connector from the light to the Main PC Board.
4. Remove the light from the housing.
5. Reassemble in reverse order.

# PARTS LISTINGS

2000X	MAIN P.C. BOARD ASSEMBLY
2016	TELEPHONE CORD (25 FT.)
2258	MDQ-5 SLO-BLO FUSE
8312	PL-L FLUORESCENT BULB
AR2007	SPEAKER
BB2006	POWER MODULE
CC2027	COMPUTER POWER CORD (20 FT.)
FP2000X	DISPLAY P.C. BOARD
HF3101	BONUS MARQUEE HOUSING
HP2002	TRANSFORMER
MZ8284X	BALLAST ASSEMBLY
NB3102	NB MARQUEE OVERLAY
PC20407	3.2 VOLT BATTERY (BR2032)

# Warranty

I.C.E warrants all components in the **HOOP FEVER™ BONUS MARQUEE** to be free of defects in materials and workmanship for a period of ninety days from the date of purchase.

This warranty does not cover items damaged due to normal wear and tear, subjected to abuse, improperly assembled by the end user, modified, repaired, or operated in a fashion other than that described in the service manual.

If your **HOOP FEVER™ BONUS MARQUEE** fails to conform to the above-mentioned warranty, I.C.E.'s sole responsibility shall be at its option to repair or replace any defective component with a new or remanufactured component of equal to or greater O.E.M. specification.

I.C.E. will assume no liability whatsoever, for costs associated with labor to replace defective parts, or travel time associated therein.

I.C.E.'s obligation will be to ship free of charge, replacement parts by U.P.S. Ground, U.S. mail, or other comparable shipping means. Any express mail or overnight shipping expense is at the cost of the purchaser.

Products will be covered under warranty only when:

- The serial number of the game with the defective parts is given.
- The serial number of the defective part, if applicable, is given.
- Defective parts are returned to I.C.E., shipping pre-paid, in a timely fashion, if requested by I.C.E.
- A copy of the sales receipt is available as proof of purchase upon request of I.C.E.

I.C.E. distributors are independent, privately owned and operated. In their judgment, they may sell parts or accessories other than those manufactured by I.C.E. We cannot be responsible for the quality, suitability, or safety of any non-I.C.E. part, or any modification, including labor, which is performed by such a distributor.



# WARRANTY

ICE Inc. warrants that all of its products will be free from defects in material and workmanship.

When placing a warranty request, please be prepared to provide the following information:

- Serial Number of Game or Bill of Sale
- Machine Type
- A Detailed Description of the Equipment Fault Symptoms

ICE product, including Cromptons, Sam's Billiards, Uniana and Bell Fruit is warranted as follows:

- 180 days on the Main PCB and Computers
- 180 days on Motors
- 90 days on all other components (i.e. DBV's, Ticket Dispensers, etc)
- 30 days on repaired items
- 3 years on all Crane Harnessing
- 9 Months on Printers

ICE Inc. shall not be obligated to furnish a warranty request under the following conditions:

- Equipment has been subjected to unwarranted stress through abuse or neglect
- Equipment has been damaged as a result of arbitrary repair/modification attempts
- Equipment that has failed through normal wear and tear

ICE Inc. will assume no liability whatsoever for costs associated with labor to replace defective parts or travel time associated therein.

All defective warranty covered components will be replaced with new or factory refurbished components equal to OEM specifications. ICE Inc. will cover all UPS ground, or comparable shipping means, freight costs during the warranty period. Expedited shipments are available for an additional charge.

Defective parts are returned to ICE Inc., at the customer's expense, in a timely fashion.

ICE distributors are independent, privately owned and operated. In their judgment, they may sell parts and/or accessories other than those manufactured by ICE Inc. We cannot be responsible for the quality, suitability or safety of any non-ICE part, modification (including labor) that is performed by such a distributor.

